

FIREPLACE
XTRORDINAIR



The Right Fireplace Company For You

"For forty years, we have been passionate about the science and art behind making beautiful fireplaces for homes in North America. We utilize the finest materials and subject them to vigorous testing standards to make a fireplace that stands up to the rigors of time.

Fireplace Xtrordinair® fireplaces are the best money can buy. We have a worldwide reputation for award-winning innovations in fireplace design, and yet the most significant recognition to me is when a family entrusts us to be their fireplace of choice.

Take your time, enjoy looking through this catalog and keep the home fires burning."



A large, stylized white signature of Kurt W. F. Rumens, written in cursive, set against a dark background.

Kurt W. F. Rumens,
President & Director of Product Design
Travis Industries, House of Fire



The ProBuilder 54 is shown with Bronze Glass Media, Driftwood & Stones Fyre-Art™ and CoolSmart TV Wall™.

The Perfect Balance of Beauty and Function

The ProBuilder Series™ of Linear Gas Fireplaces are the perfect choice for anyone seeking a beautiful, reliable and economical way to heat their home. With the ProBuilder Series™, you get more heat for less; that's more features and benefits than any other value-priced linear gas fireplace available, plus heavy duty construction and quality craftsmanship to ensure years of dependable warmth.

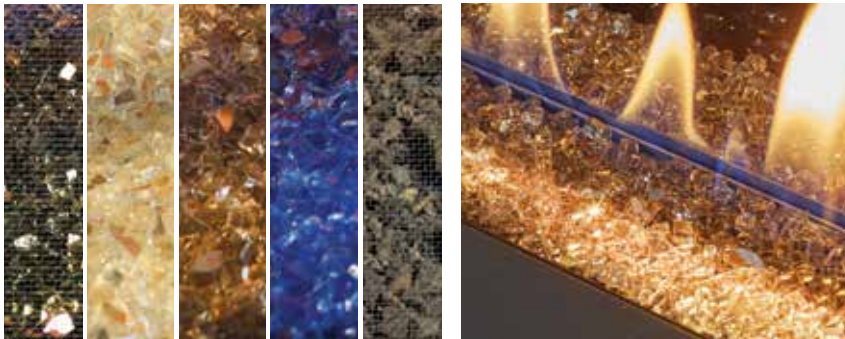
The ProBuilder Series™ features three linear fireplace sizes. Each size is available in your choice of Millivolt (MV) or GreenSmart® Basic (GSB) models, allowing you to choose the fireplace best suited for your individual taste and lifestyle.

ProBuilder Linear MV

The Millivolt (MV) models feature a Continuous Pilot system where the pilot flame stays lit at all times. These models are a great choice for anyone who desires a simple heat source that does not require power for installation and operation.

ProBuilder Linear GSB

The GreenSmart® Basic (GSB) models are an excellent energy-efficient choice. These models conserve fuel with a GreenSmart® pilot system that automatically lights the fireplace when heat is called for, and turns off the fireplace (including the pilot) when no heat is needed.



Choose between Black, Platinum, Bronze & Cobalt Glass or Rock Ember Media

Then add the optional Under-Lit Accent Lights

Cover Image: The ProBuilder 72 is shown with Bronze Glass Media, Under-Lit Accent Lights and Tumbled Stone Fyre-Art™.





The ProBuilder 72 is shown with Black Glass Media and Driftwood and Stone Fyre-Art.™



Features & Options You're Going to Love

Features

- Sleek linear style with beautiful flame presentation.
- Choice of glass or rock ember floor media. (see page 4)
- Nearly invisible ANSI approved glass safety screen is flush to wall.
- Easy access to gas controls located below fireviewing glass.
- High quality 16-18 gauge steel construction.
- Includes ON/OFF switch.

Options

- Decorative Fyre-Art™, Black Glass Fireback, Mantels, and other options. (see page 15)
- Basic GreenSmart® Remote Control with ON/OFF & Thermostat function.
- Wired Wall Timer.
- CoolSmart TV Wall™ System allows for a TV above the fireplace.
- 180 CFM* variable speed convection fan for increased heat transfer.
- Under-lit Accent Lights to illuminate the glass media bed. (see page 4)

* Cubic Feet per Minute



The ProBuilder 54 with Cobalt Glass Media. Shown with recessed TV pocket and CoolSmart TV Wall™.



The ProBuilder 42 is shown with Bronze Glass Media, Under-lit Accent Lights, Tumbled Stone Fyre-Art™ and the Custom Shop Polished Gray Concrete Mantel.

42" Linear Gas Fireplace

Urban Artistry

The ProBuilder 42 Linear is the smallest fireplace in the lineup, featuring 42" wide by 15" tall glass. This model is ideal for living spaces such as bedrooms or family rooms. The tall dancing flames will enchant, while the tranquility of the Tumbled Stone Fyre-Art™ relaxes and soothes. The Polished Gray Concrete Mantel from our Custom Shop further complements the room's dynamic. Find more inspiring options on page 15.

- Heating Capacity*: Up to 1,250 Sq. Ft.
- BTU/Hr. Input (NG/LP): 13,000 to 25,000 (50% turndown)
- P4 Efficiency: MV: 64.80% (NG) 65.89% (LP)
GSB: 65.74% (NG) 66.88% (LP)
- Steady State Efficiency Up to 76.11% (NG) Up to 77.31% (LP)
- Weight: 165 lbs. (75 kg).
- Viewing Area: Tempered Glass - 40-3/4" W x 13-3/4" T

**Heating capacity will vary with floor plan, insulation, and outside temperature.*



54" Linear Gas Fireplace

Natural Wonder

The ProBuilder 54 Linear is perfect for mid-size to larger entertaining spaces with its 54" wide by 15" tall glass. The relaxing yellow flames will complement a large variety of styles. Keep it contemporary or add the earthy Driftwood & Stones Fyre-Art™ kit to enhance your rooms ambience. Other inspiring options can be found on page 15.

- Heating Capacity*: Up to 1,650 Sq. Ft.
- BTU/Hr Input (NG/LP): 17,000 to 33,000 (50% turndown)
- P4 Efficiency: MV: 65.11% (NG) 66.3% (LP)
GSB: 65.93% (NG) 67.07% (LP)
- Steady State Efficiency: Up to 67.25% (NG) Up to 76.02% (LP)
- Weight: 210 lbs. (95 kg).
- Viewing Area: Tempered Glass - 52-3/4" W x 13-3/4" T

**Heating capacity will vary with floor plan, insulation, and outside temperature*



The ProBuilder 54 is shown with Black Glass Media, Black Glass Fireback and Traditional Log Set™.



The ProBuilder 72 is shown with Bronze Media, Tumbled Stone Fyre-Art™ and optional Under-Lit Accent Lights

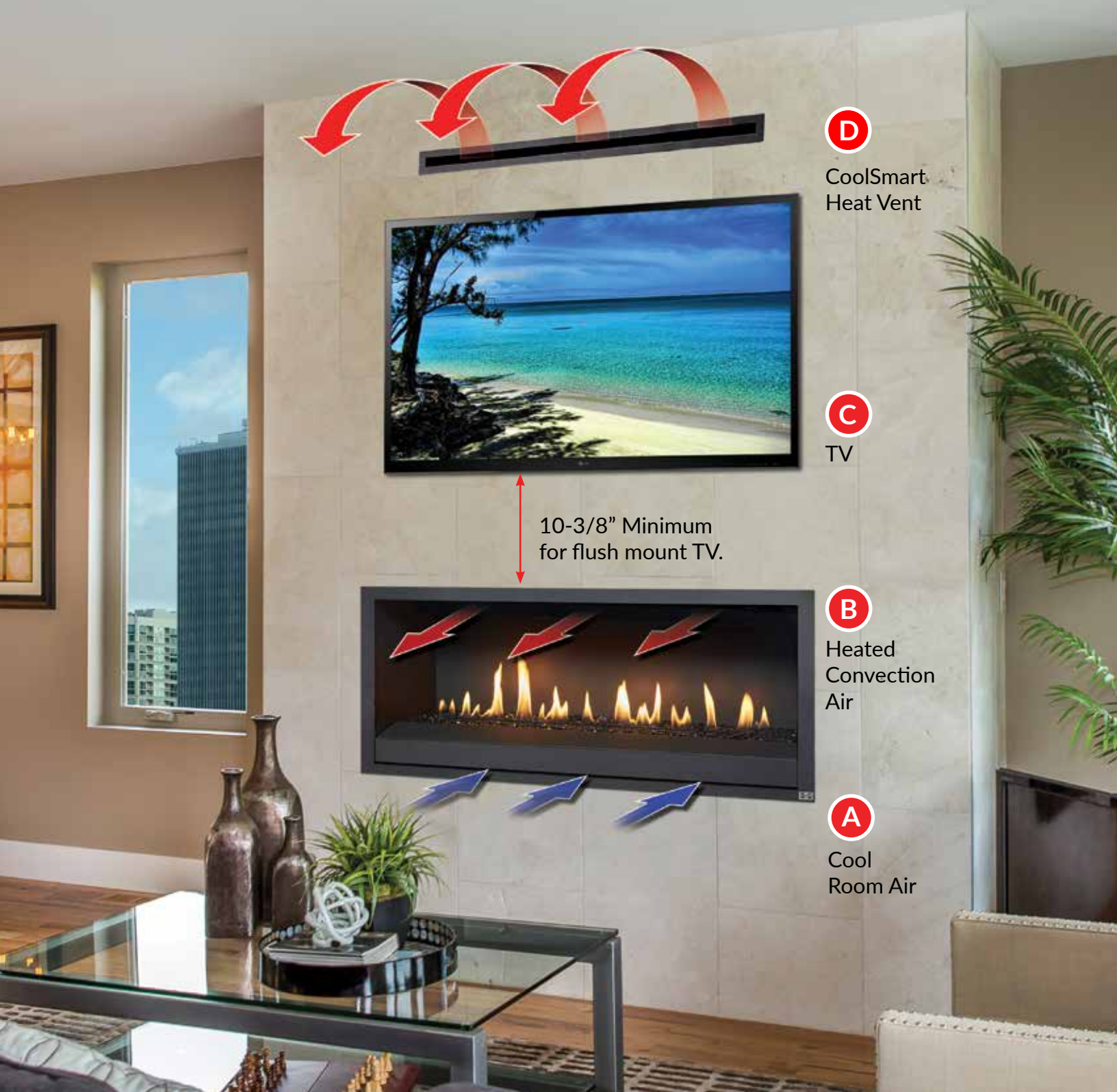
72" Linear Gas Fireplace

Boldly Understated

Large spaces and rooms ready for a dynamic statement are perfectly suited for the impressive ProBuilder 72 Linear. It's long lines, refined aesthetics and massive 72" wide x 15" tall glass size exemplify modern luxury at an affordable price tag.

- Heating Capacity*: Up to 2,250 Sq. Ft.
- BTU/Hr. Input (NG/LP): 23,000 to 45,000 (50% turndown)
- P4 Efficiency: GSB: 68% (NG) 66.23% (LP)
MV: 67.39% (NG) 65.73% (LP)
- Steady State Efficiency: Up to 73.34 (NG) Up to 75.80 (LP)
- Weight: 275 lbs. (125 kg).
- Viewing Area: Tempered Glass -70-3/4" W x 13-3/4" T

**Heating capacity will vary with floor plan, insulation, and outside temperature.*



CoolSmart TV Wall™

- (A) Cool room air is naturally pulled into the bottom of the convection chamber surrounding the firebox.
- (B) If the convection fan is turned on, a major portion of the heated air is returned to the room above the fireviewing glass.
- (C) The CoolSmart TV Wall™ allows a TV to be safely installed above the fireplace (minimum distance above fireplace of 10-3/8", 13-3/8" with TV pocket).
- (D) If there is no convection fan, or if the fan is turned off, cool room air (A) and the majority of the heated convection air (B) are naturally drawn up through the CoolSmart Heat Vent (D) and returned to the room above the TV.

OPTIONAL ACCESSORIES



Tumbled Stone Fyre-Art™



Driftwood & Stones Fyre-Art™



Traditional Logs Fyre-Art™



High Gloss Black Glass Fireback

Basic GreenSmart® Wireless Thermostat Remote Control



Manual Setting
ON/OFF controls.

Thermostat Setting
Fireplace turns ON/OFF to maintain your desired home/room temperature.

Convection Fan

Variable speed 180 CFM* Fan helps increase the natural convection of heated air into the room as it circulates around the firebox and glass frame. Fan is manually controlled by a rheostat.

* Cubic Feet Per Minute

Wired Wall Timer

Countdown wall timer allows you to set the shut off time of your fireplace in 30 minute increments with two hour maximum time limit. Ideal for rentals, apartments, and commercial applications.

Power Exhaust Vent

The Power Exhaust Vent allows you to install these gas fireplaces virtually anywhere in your home, by accommodating even the most difficult venting restrictions. *This option requires electricity to operate your fireplace.*

CUSTOM SHOP MANTELS

Add a bold statement to your fireplace with one of our unique, hand-crafted mantels designed and created by our in-house artists. These non-combustible mantels come in both 5' and 6' lengths, and can also be used as a hearth.



Polished Gray Concrete Mantels

Each mantel is individually crafted to expose a smooth, polished quartz surface that offers a bold, contemporary look.



Hand-Hewn Timber Mantels

This is a realistic reproduction of a 150-year-old fir timber. Our artists individually hand-paint each mantel with incredible attention to detail.



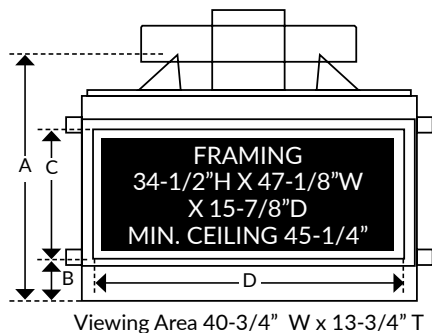
Cedar Mantels

We use a special fiber reinforced cast concrete to reproduce an actual cedar beam. Each mantel is then individually hand-painted.

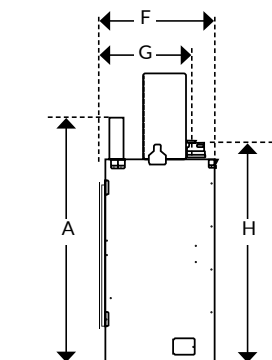
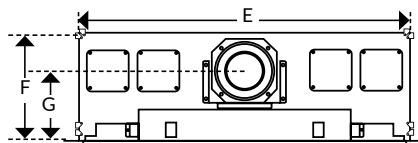
INSTALLATION without CoolSmart TV Wall™ Kit Option

NOTE: ALWAYS REFER TO THE PRODUCT OWNER'S MANUAL FOR COMPLETE INSTALLATION INSTRUCTIONS. FAILURE TO DO SO CAN RESULT IN VOIDING OF THE WARRANTY AND PRESENT A POTENTIAL SAFETY HAZARD! MANUAL CAN BE FOUND AT WWW.FIREPLACEX.COM

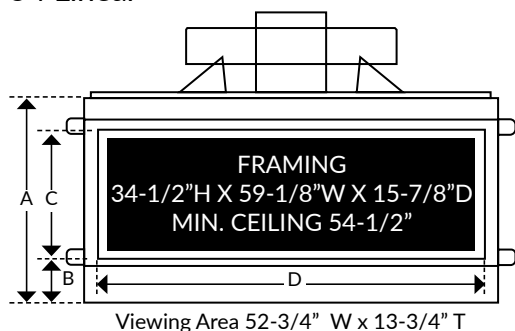
42 Linear



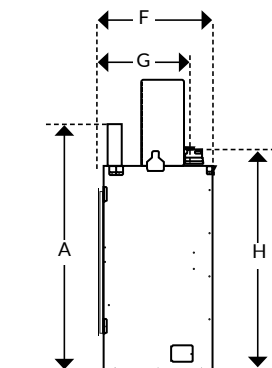
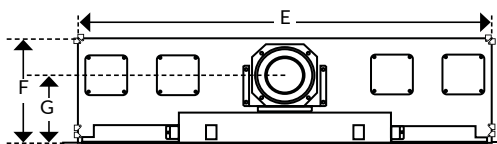
- A - 34-1/2"(877 mm)
- B - 4-7/8"(124 mm)
- C - 20-1/2"(521 mm)
- D - 45-3/4"(1163 mm)
- E - 47-1/8"(1197 mm)
- F - 15-7/8"(404 mm)
- G - 9-3/4"(248 mm)
- H - 31" (788 mm)



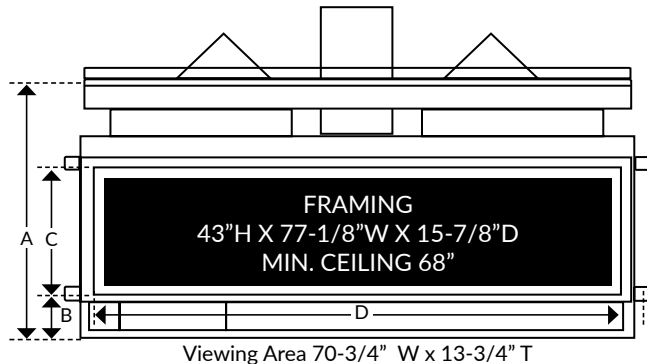
54 Linear



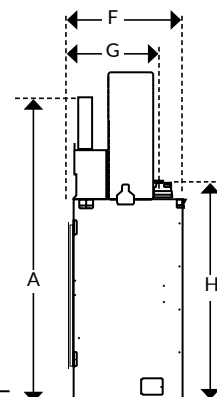
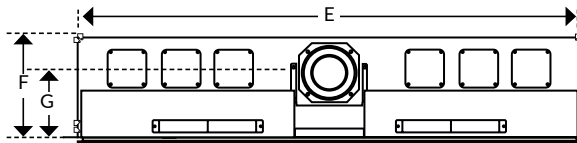
- A - 34-1/2"(877 mm)
- B - 4-7/8"(124 mm)
- C - 20-1/2"(521 mm)
- D - 57-3/4"(1467 mm)
- E - 59-1/8"(1502 mm)
- F - 15-7/8"(404 mm)
- G - 9-3/4"(248 mm)
- H - 31" (788 mm)



72 Linear



- A - 43"(1092 mm)
- B - 4-7/8"(124 mm)
- C - 20-1/2"(521 mm)
- D - 75-3/4"(1924 mm)
- E - 77-1/8"(1959 mm)
- F - 15-7/8"(404 mm)
- G - 9-3/4"(248 mm)
- H - 31" (788 mm)



Warranty

Your gas fireplace is backed by a network of Specialty Hearth Dealers and certified factory trained installers. Fireplace Xtrordinair® warrants our products to be free from defects in material and workmanship for a period up to seven years from the date of purchase. All parts, electronics (except light bulbs), and labor are covered for a full two years. Trims are covered for a period of two years. No other manufacturer's warranty can compare.

Tested and List by Omni-Test Laboratories, Inc. Portland, Oregon to ANSI Z21.88-2016 CSA 2.33-2016



Manufactured by Travis Industries, Inc.
Mukilteo, WA

See our complete line of fireplaces
online: fireplacex.com

