

NAPOLEON



GAS BURNING INSERTS

napoleonfireplaces.com



Incredible levels of luxury and functionality.

Roxbury™ 30 - GDI-30	4 - 5
Roxbury™ 3600 - GI3600	6 - 7
Inspiration™ ZC - GDIZC	8 - 9
Infrared 3 - IR3-1	10 - 11
Infrared 3G - IR3G	12 - 13
Infrared X3 & X4 - XIR3, XIR4	14 - 15
Napoleon's Outstanding Features	16
Detailed Specifications & Line Drawings	17 - 19



The Inspiration™ ZC shown with brushed copper faceplate and 6" 4-sided flashing, see page 8 for more information



Why Napoleon?

Making your life easier... Napoleon fireplaces are designed to provide you absolute comfort and control at the touch of your fingertips. It's that easy. When you install a Napoleon direct vent gas fireplace, you can rest assured that you will enjoy a lifetime of instant ambiance with reliable performance year after year.

An investment you can count on... Your new Napoleon fireplace adds value to your home while at the same time giving you uncompromising comfort. Aside from kitchen and bathroom renovations, fireplaces add the highest return on your home investment.

Create your personal design statement... Surround yourself with a home environment that makes you feel good, relaxed and proud to reflect your decorating style. Hundreds of designer options are available to create the exact statement you have been looking for.

Highest efficiencies, maximum comfort... Years of research, design and testing have enhanced optimum performance allowing many Napoleon products to achieve some of the highest heater rated efficiencies on the market. Napoleon continuously surpasses industry standards not only in appearance but in efficiency and performance.

Beautiful fires, best flame in the industry... With advanced burner technology and innovative design, Napoleon's flame and exclusive PHAZER® log sets are so realistic it's hard to tell the difference from a real wood burning fire.

No power? No problem!... We all feel vulnerable when the power goes out. Now you can weather out the storm in the comfort of your own home! A Napoleon gas fireplace requires no electricity to light or operate, a built-in millivolt system or electronic ignition with battery back-up ensures reliability even during power failures.

Authorized dealer support network... With over 3,000 reputable authorized dealers across North America, Napoleon works hard to provide professional, consistent training and technical education to support our dedicated team of professionals.

Outstanding reliable warranty... Each and every Napoleon fireplace is designed and manufactured to strict quality testing standards and backed by the President's Limited Lifetime Warranty, guaranteed to give you the solid performance you deserve. Napoleon is registered under the world recognized ISO 9001-2008 quality system.



We are proud to be recognized as one of Canada's Best Managed Companies and are dedicated to providing quality, home comfort products for over 38 years and counting.

Roxbury™ 30

An Elegant Heater For Any Lifestyle

The Roxbury™ 30 easily transforms your existing masonry or prefabricated fireplace into an efficient heating source, eliminating drafts and ultimately saving you money. Napoleon's exclusive PHAZER® logs, charcoal embers, heat activated variable speed blower system, realistic YELLOW DANCING FLAMES® and elegant designer options turn your room into a tranquil getaway. The state-of-the-art pan burner system guarantees a wide range of heat output with adjustable flame/heat control giving you the heat you need with a traditional masonry look and feel.

GDI30

Up to 24,500 BTU's

50% flame/heat adjustment

46 7/8" w x 29 3/8" h

Natural gas or propane

For more detailed specifications on this unit, see page 17

Safety Barrier Options



Curved Safety Barrier



Flat Safety Barrier

*Must order a faceplate to complete unit

Options & Accessories



Louvres
Four Color Options



Cast Iron Surrounds
Two Colour Options*



F45 & F60 Remote Controls
On/off or Modulating



Andirons
Painted Black



Painted Black Faceplate



Brushed Copper Faceplate



Brushed Nickel Faceplate



Bevelled Flashing kit - 6"



Deluxe Flashing kits available in 6" and 9"



Arched Cast Iron Surround





Roxbury 30 shown with River Rock media kit, MIRRO-FLAME Panels, brushed copper faceplate and beveled flashing kit



Decorative Sandstone
Brick Panels



MIRRO-FLAME
Porcelain Reflective
Radiant Panels



Complete with
Safety Barrier



River Rock Media Kits
Grey or Multi-colored



Roxbury™ 3600

Economical & Versatile

Here's the secret to a warmer, cozier home! Retrofit your drafty old fireplace with this beautiful Napoleon® gas insert. The Roxbury™ 3600 is especially designed to fit smaller wood burning, zero clearance fireplaces and comes complete with a heat activated variable speed blower system. Create the exact designer touch you have been looking for with optional choices including faceplates, flashing kits and cast iron surrounds in various styles and finishes.

GI3600

Up to 24,000 BTU's - Natural Vent Only

50% flame/heat adjustment

25" w x 17 1/4" h

Natural gas or propane

For more detailed specifications on this unit, see page 17

Safety Barrier Option



Curved Safety Barrier



Flat Safety Barrier
*Must order a faceplate to complete unit

Options & Accessories



Louvres
Four Color Options



Cast Iron Surrounds
Two Colour Options*



F45 & F60 Remote Controls
On/off or Modulating



Andirons
Painted Black



Painted Black Faceplate



Brushed Copper Faceplate



Brushed Nickel Faceplate



Basic Flashing kits available in 6" and 9"



Deluxe Flashing kits available in 6" and 9"



Bevelled Flashing kit available in 6"



Arched Cast Iron Surround

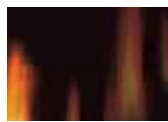




Roxbury[™] 3600 shown with brushed nickel faceplate and sandstone brick panels



Decorative Sandstone
Brick Panels



MIRRO-FLAME[™]
Porcelain Reflective
Radiant Panels



Complete with
Safety Barrier



Inspiration™ ZC

Smallest Fireplace Opening, Large Viewing Area

The multi-level advanced burner technology of the Inspiration™ ZC produces beautiful, realistic YELLOW DANCING FLAMES® and the exclusive PHAZER® log set and charcoal ember bed are so realistic, they will be mistaken for a real wood fire. This award winning gas insert is designed to fit the smallest fireplace openings but offers a large, 400 square inch ceramic glass viewing area. The Inspiration™ ZC comes complete with a heat activated variable speed blower system making it the perfect gas insert for any room in your home.

GDIZC

Up to 24,000 BTU's

36" w x 20 ¾" h

Natural gas or propane

For more detailed specifications on this unit, see page 18

Options & Accessories



Cast Iron Surrounds
Two Colour Options*



F45 & F60 Remote Controls
On/off or Modulating



Andirons
Painted Black



Painted Black Faceplate



Brushed Copper Faceplate



Brushed Nickel Faceplate



3-Sided Aluminum Extrusion



Contemporary Trim Kit



4-Sided Aluminum Extrusion



3-Sided Backerplate



4-Sided Backerplate

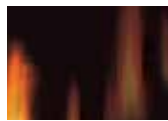




Inspiration™ ZC shown with brushed copper faceplate, four-sided aluminum extrusion and MIRRO-FLAME Porcelain Reflective Radiant Panels



Decorative Sandstone
Brick Panels



MIRRO-FLAME
Porcelain Reflective
Radiant Panels



Complete with
Safety Barrier



Infrared™ 3

Style, Comfort and Efficiency

Napoleon's Infrared™ 3 is a direct vent gas insert which offers many standard features including Napoleon's PHAZER® log set that fills your firebox with beautiful YELLOW DANCING FLAMES®. The Infrared™ 3 features Napoleon's advanced infrared technology and is perfect for smaller living spaces. The Infrared™ 3 is great for home owners who want the cost saving benefits of Zone Heating (heating the room you use most) plus the benefit of replacing an old drafty masonry fireplace with an efficient heating source.

IR3-1

Up to 24,000 BTU's

50% flame/heat adjustment

29 5/8" w x 21" h

Natural gas or propane

For more detailed specifications on these units, see page 18

Options & Accessories



Glass Enhancement Kits
Five Colors Available



Blower Kit



Modulating Remote Control
(standard)



One Piece Surround - 6" or 9"



Five Piece Surround - 6" or 9"



Contemporary Rectangular Front
Satin Chrome Plated Finish



Contemporary Rectangular Front
Porcelain Black Finish



Zen Modern Door - Painted Black Finish



Zen Modern Door - Wrought Iron Finish



Cast Iron Surround Kit



Premium Scalloped Artisan Steel Door





Infrared[®] 3 shown with zen modern door kit in wrought iron finish and Newport Deluxe brick panels



Newport[®] Deluxe
Brick Panels



Old England Grey
Brick Panels



MIRRO-FLAME[®]
Porcelain Reflective
Radiant Panels



Complete with
Safety Barrier



River Rock Media Kits
Grey Finish



Infrared™ 3G

Economical Modern Elegance

The Infrared™ 3G is the perfect solution for an economical heating source complemented with the modern elegance of a sparkling Topaz CRYSTALINE™ ember bed. The Infrared™ 3G features Napoleon's exclusive NIGHT LIGHT™ and comes standard with a modulating remote control and MIRRO-FLAME™ Porcelain Reflective Radiant Panels. Optional decorative accessories are also available to match any room in your home. Heating smarter and saving energy doesn't mean that you have to compromise great design.

IR3G

Up to 24,000 BTU's

50% flame/heat adjustment

29 5/8" w x 21" h

Natural gas or propane

For more detailed specifications on this unit, see page 19

Options & Accessories



Alternate Glass Media Kits & Glass Enhancement Kits
Six Colors Available



Blower Kit



Modulating Remote Control
(standard)



One Piece Surround - 6" or 9"



Five Piece Surround - 6" or 9"



Contemporary Rectangular Front
Satin Chrome Plated Finish



Contemporary Rectangular Front
Porcelain Black Finish



Zen Modern Door - Painted Black Finish



Zen Modern Door - Wrought Iron Finish



Cast Iron Surround Kit



Premium Scalloped Artisan Steel Door





Infrared® 3G shown with standard MIRRO-FLAME® panels, one piece painted black 6" surround and satin chrome plated contemporary rectangular front



Newport® Deluxe
Brick Panels



Old England Grey
Brick Panels



MIRRO-FLAME®
Porcelain Reflective
Radiant Panels



Complete with
Safety Barrier



Infrared X3 & X4

Stunning Triple Flame Pattern

The Infrared X3 and X4 feature Napoleon's advanced infrared technology and flame modulation. These deluxe direct vent gas inserts offer a modulating dual burner system that results in a firebox filled with a stunning triple flame pattern. The Infrared X3 and X4 feature cost saving benefits of Zone Heating plus the benefit of replacing an old drafty masonry fireplace with efficient, warm, glowing YELLOW DANCING FLAMES®. A multitude of designer options are available to create the exact statement you have been looking for.

XIR3

Up to 31,000 BTU's

50% flame/heat adjustment

29 5/8" w x 21" h as shown

Natural gas or propane

XIR4-1

Up to 40,000 BTU's

50% flame/heat adjustment

34 3/4" w x 24 1/2" h as shown

Natural gas or propane

For more detailed specifications on these units, see page 19

Options & Accessories



Glass Enhancement Kits
Five Colors Available



Blower Kit



Proflame Remote Control
(standard)



One Piece Surround - 6" and 9"
*6" only available for XIR3



Five Piece Surround - 6" and 9"
*6" only available for XIR3



Contemporary Rectangular Front
Satin Chrome Plated Finish



Contemporary Rectangular Front
Porcelain Black Finish



Zen Modern Door - Painted Black Finish



Zen Modern Door - Wrought Iron Finish



Cast Iron Surround Kit
*Only available for XIR3



Premium Scalloped Artisan Steel Door





Infrared® X4 shown with one piece painted black surround, Newport® Deluxe brick panels and satin chrome Contemporary Rectangular Front



Newport® Deluxe
Brick Panels



Old England Grey
Brick Panels



MIRRO-FLAME®
Porcelain Reflective
Radiant Panels



Complete with
Safety Barrier



River Rock Media Kit
Grey Finish



Outstanding Features

of Napoleon's Advanced Technology



Advanced Burner Technology

Napoleon's sophisticated burner system offers superior flame technology. Strategically placed burner ports create the most realistic flames in the industry.

Finely Tuned Precision Valves

Surrounded with a protective cast aluminum jacket, the precision valves allow for ultimate reliability and 100% SAFE GUARD[®] gas control system.

Minimum 30% savings on heating costs with Zone Heating

Zone Heating means you are heating the rooms that you use the most with an alternate heat source, like a Napoleon[®] gas insert. Zone Heating is the obvious solution for families concerned about rising fuel costs.

Outstanding Craftsmanship

Fine details are designed in every aspect of Napoleon[®] products... individually handcrafted with pride of excellence.

Safety Screens

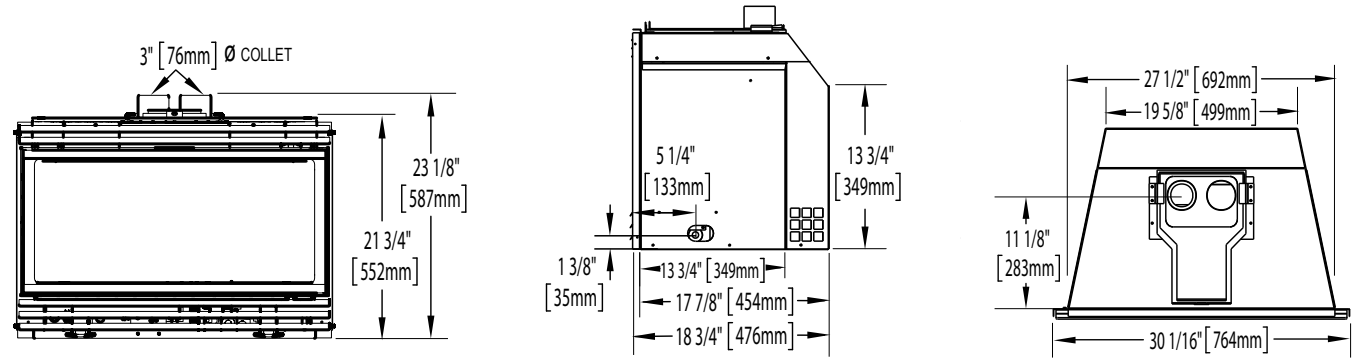
Napoleon, leaders in design & technology, have developed safety screens with aesthetically pleasing designs for every gas appliance to ensure ultimate safety and peace of mind for your family.



Roxbury™ 30

Shown on pages 4 & 5

*Fronts/Surrounds may change unit dimensions



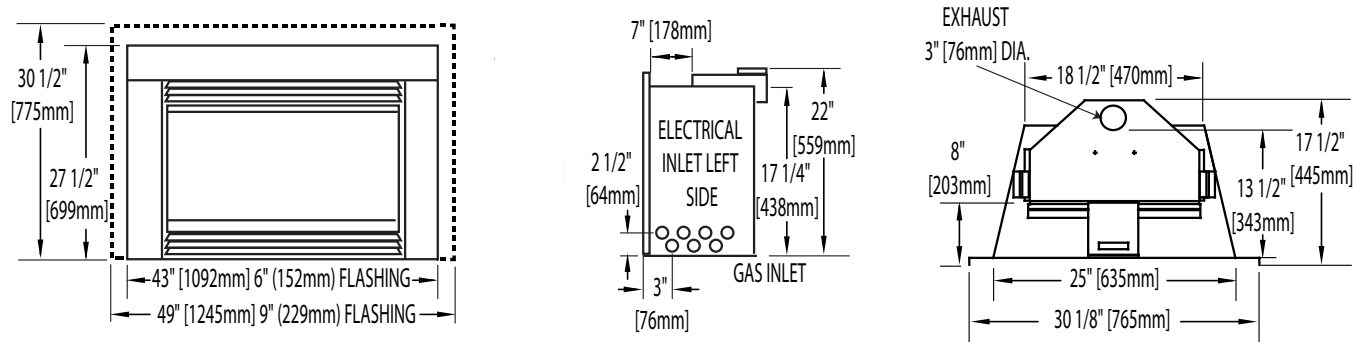
Model	BTU's (Input)		Venting	Height		Front Width		Depth		Glass Type	Glass Size		Glass Area (sq. in.)	Efficiencies			Blower	Mobile Home Certified	Electronic Ignition
	Natural Gas	Propane		Actual	Minimum Opening	Actual	Minimum Opening	Actual	Minimum Opening		Height	Width		EnerGuide	AFUE	Steady State			
GDI30	15 - 24,500	19 - 24,500	Top	21 3/4"	22"	30 1/16"	28"	17 7/8"	18"	Ceramic	13 5/16"	27 7/8"	371	64.5%	60.02%	85%	Standard	Yes	No

Certified under Canadian and American National Standards.

Roxbury™ 3600

Shown on pages 6 & 7

*Fronts/Surrounds may change unit dimensions



Model	BTU's (Input)		Venting	Height		Front Width		Depth		Glass Type	Glass Size		Glass Area (sq. in.)	Efficiencies			Blower	Mobile Home Certified	Electronic Ignition
	Natural Gas	Propane		Actual	Minimum Opening	Actual	Minimum Opening	Actual	Minimum Opening		Height	Width		EnerGuide	AFUE	Steady State			
GI3600	16 - 24,000	17 - 22,000	Top	17 1/4"	17 1/2"	25"	25 1/2"	17 1/2"	16 1/2"	Ceramic	11 3/4"	29 3/4"	350	62.3%	-	76%	Standard	No	No

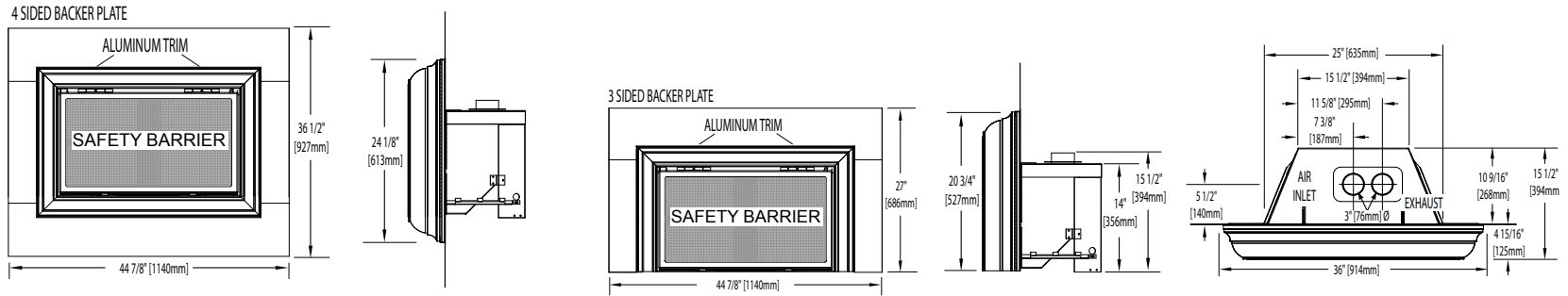
Certified under Canadian and American National Standards.

Figures may vary with individual conditions such as floor plan layout, insulation value/heat loss of the house and geographical location. Measurements to be used as a guide only. Consult your owner's manual for complete and up-to-date installation instructions and proper clearances to combustible materials.

Inspiration™ ZC

Shown on pages 8 & 9

*Fronts/Surrounds may change unit dimensions



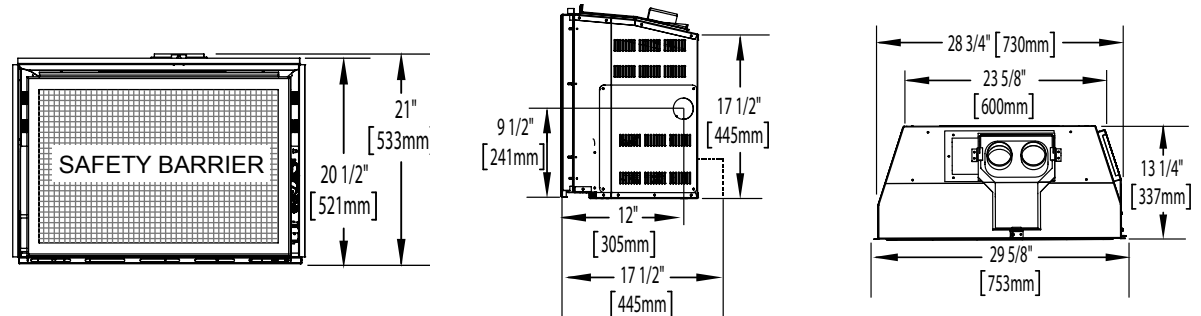
Model	BTU's (Input)		Venting	Height			Front Width		Depth		Glass Type	Glass Size		Glass Area (sq. in.)	Efficiencies			Blower	Mobile Home Certified	Electronic Ignition
	Natural Gas	Propane		Actual (Three-Sided)	Actual (Four-Sided)	Minimum Opening	Actual	Minimum Opening	Actual	Minimum Opening		Height	Width		EnerGuide	AFUE	Steady State			
GDIZC	14 - 24,000	15 - 24,000	Top	20 3/4"	24 1/8"	14 1/2"	36"	25"	15 1/2"	11"	Ceramic	15 5/8"	28 1/8"	439	65.5%	65%	85%	Standard	Yes	No

Certified under Canadian and American National Standards.

Infrared 3

Shown on pages 10 & 11

*Fronts/Surrounds may change unit dimensions



Model	BTU's (Input)		Venting	Height		Front Width		Depth		Glass Type	Glass Size		Glass Area (sq. in.)	Efficiencies			Blower	Mobile Home Certified	Electronic Ignition
	Natural Gas	Propane		Actual	Minimum Opening	Actual	Minimum Opening	Actual	Minimum Opening		Height	Width		EnerGuide	AFUE	Steady State			
IR3-1	18 - 24,000	18 - 24,000	Top	21"	21 1/2"	29 5/8"	29"	13 1/4"	13 1/2"	Ceramic	17"	25 9/16"	364	64%	66.3%	77%	Optional	Yes	Yes

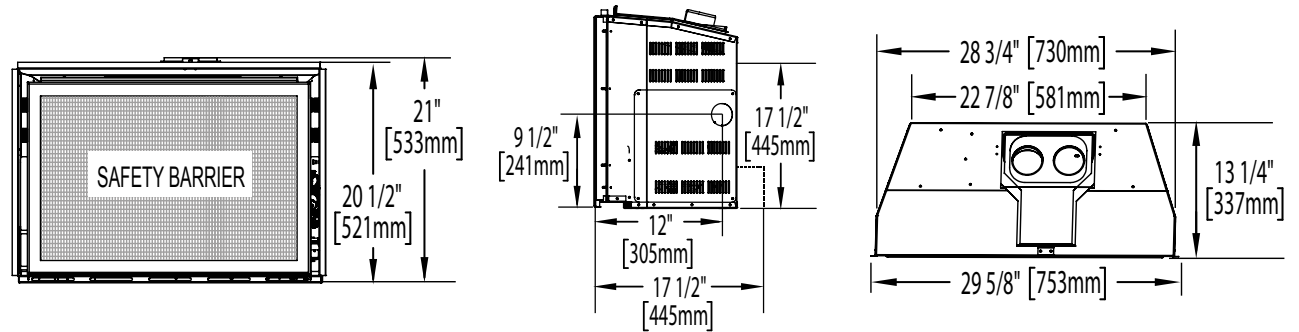
Certified under Canadian and American National Standards.

Figures may vary with individual conditions such as floor plan layout, insulation value/heat loss of the house and geographical location. Measurements to be used as a guide only. Consult your owner's manual for complete and up-to-date installation instructions and proper clearances to combustible materials.

Infrared 3G

Shown on pages 12 & 13

*Fronts/Surrounds may change unit dimensions



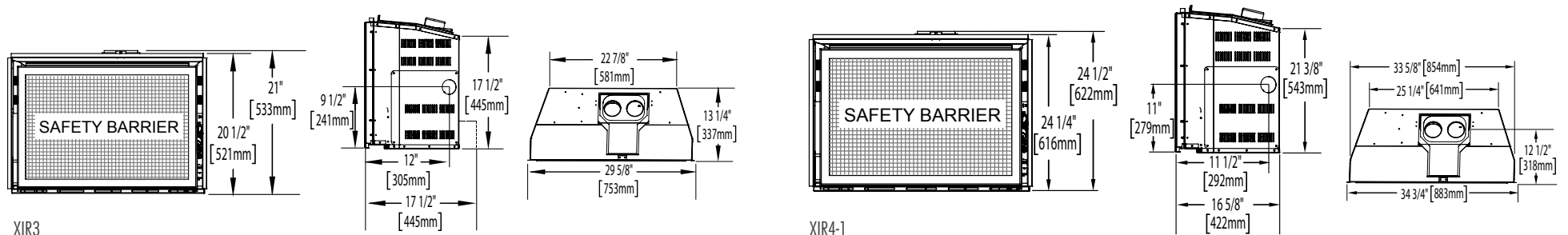
Model	BTU's (Input)		Venting	Height		Front Width		Depth		Glass Type	Glass Size		Glass Area (sq. in.)	Efficiencies			Blower	Mobile Home Certified	Electronic Ignition
	Natural Gas	Propane		Actual	Minimum Opening	Actual	Minimum Opening	Actual	Minimum Opening		Height	Width		EnerGuide	AFUE	Steady State			
IR3G	15 - 24,000	17 - 24,000	Top	21"	21 1/2"	29 5/8"	29"	13 1/4"	13 1/2"	Ceramic	17"	25 9/16"	364	64.2%	63.9%	80%	Optional	Yes	Yes

Certified under Canadian and American National Standards.

Infrared X3 & X4

Shown on pages 14 & 15

*Fronts/Surrounds may change unit dimensions



XIR3

XIR4-1

Model	BTU's (Input)		Venting	Height		Front Width		Depth		Glass Type	Glass Size		Glass Area (sq. in.)	Efficiencies			Blower	Mobile Home Certified	Electronic Ignition
	Natural Gas	Propane		Actual	Minimum Opening	Actual	Minimum Opening	Actual	Minimum Opening		Height	Width		EnerGuide	AFUE	Steady State			
XIR3	15 - 31,000	16 - 31,000	Top	21"	21 1/2"	29 5/8"	29"	13 1/4"	13 1/2"	Ceramic	17"	25 9/16"	364	67%	68.4%	80%	Optional	Yes	Yes
XIR4-1	16 - 40,000	15 - 40,000	Top	24 1/2"	25"	34 3/4"	34 1/4"	16 5/8"	17"	Ceramic	20 5/8"	31"	560	68.9%	72.4%	83%	Standard	Yes	Yes

Certified under Canadian and American National Standards.

Figures may vary with individual conditions such as floor plan layout, insulation value/heat loss of the house and geographical location. Measurements to be used as a guide only. Consult your owner's manual for complete and up-to-date installation instructions and proper clearances to combustible materials.

Other Napoleon Products

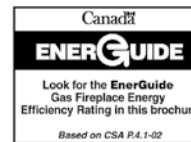


Fireplace Inserts • Charcoal Grills • Gas Fireplaces • Mantels • Wood Stoves
 Hybrid Furnaces • Electric Fireplaces • Heating & Cooling • Gas Grills



24 Napoleon Road, Barrie, Ontario, Canada L4M 0G8
 103 Miller Drive, Crittenden, Kentucky, USA 41030
 7200 Trans Canada Highway, Montreal, Quebec, Canada H4T 1A3

Tel: 705-721-1212 Fax: 705-722-6031
napoleonfireplaces.com



Authorized Dealer

Consult your owner's manual for complete installation instructions and proper clearances to combustible materials. Check all local and national building codes and gas regulations. All specifications are subject to change without prior notice due to on-going product improvements. Products may not be exactly as shown. Flame height and activity is influenced by varying vent configurations and may not appear as shown. Napoleon® is a registered trademark of Wolf Steel Ltd. © Wolf Steel Ltd. EnerGuide - A Canadian efficiency standard based on frequent, short start-up and cool-down cycles. All appliances sold in Canada are subject to this EnerGuide rating system. AFUE - A US efficiency standard (Department of Energy) based on extended on/off cycles, more typical of fireplace usage. Steady State - Reflects the highest possible overall heating efficiency. Product images may vary due to safety barrier regulations coming into effect January 2015.