



# Regency Bellavista™ B41XTE Gas Fireplace

## Owners & Installation Manual

MODELS: B41XTE-NG10  
B41XTE-LP10



**⚠ WARNING**  
**FIRE OR EXPLOSION HAZARD**  
Failure to follow safety warnings exactly could result in serious injury, death, or property damage.

- Do not store or use gasoline or other flammable vapors and liquids in the vicinity of this or any other appliance.
- **WHAT TO DO IF YOU SMELL GAS**
  - Do not try to light any appliance.
  - Do not touch any electrical switch: do not use any phone in your building.  
Leave the building immediately.
  - Immediately call your gas supplier from a neighbour's phone. Follow the gas supplier's instructions.
  - If you cannot reach your gas supplier, call the fire department.

Installation and service must be performed by a qualified installer, service agency or the gas supplier.

Tested by:



*Installer:* Please complete the details on the back cover  
and leave this manual with the homeowner.


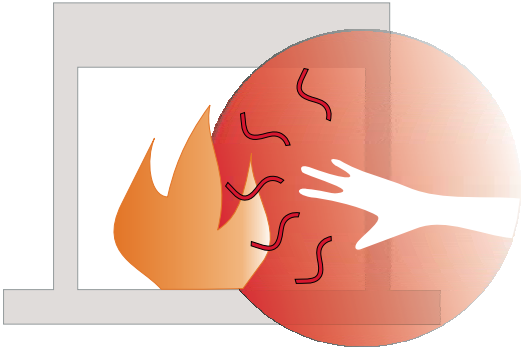
*Homeowner:* Please keep these instructions for future reference.



## To the New Owner:

Congratulations!

You are the owner of a state-of-the-art Gas Fireplace by REGENCY®. The Bellavista™ B41XTE has been designed to provide you with all the warmth and charm of a wood fireplace at the flick of a switch. The Bellavista™ B41XTE has been approved by Warnock Hersey/ Intertek for both safety and efficiency. As it also bears our own mark, it promises to provide you with economy, comfort and security for many trouble free years to follow. Please take a moment now to acquaint yourself with these instructions and the many features of your Regency® Fireplace.

 <h1 style="margin: 0;">DANGER</h1>	
	<p><b>HOT GLASS WILL CAUSE BURNS</b></p> <p><b>DO NOT TOUCH GLASS UNTIL COOLED</b></p> <p><b>NEVER ALLOW CHILDREN TO TOUCH GLASS</b></p>
<p>A barrier designed to reduce the risk of burns from the hot viewing glass is provided with this appliance and shall be installed for the protection of children and other at risk individuals.</p>	
<p><b>CAUTION:</b>  <b>HOT WHILE IN OPERATION. DO NOT TOUCH.</b>  <b>SEVERE BURNS MAY RESULT. KEEP CHILDREN, CLOTHING, FURNITURE, GASOLINE, AND ANY LIQUIDS WITH FLAMMABLE VAPOURS AWAY.</b></p> <p><b>KEEP BURNER AND CONTROL COMPARTMENT CLEAN.</b>  <b>SEE INSTALLATION AND OPERATING INSTRUCTIONS ACCOMPANYING APPLIANCE.</b></p>	
<small>919-358</small>	

## MANUFACTURED MOBILE HOME REQUIREMENTS INFORMATION FOR MOBILE/MANUFACTURED HOMES AFTER FIRST SALE

This Regency® product has been tested and listed by Warnock Hersey as a Direct Vent Wall Furnace to the following standards: VENTED GAS FIREPLACE HEATERS ANSI Z21.88-2014 / CSA 2.33-2014 and GAS-FIRED APPLIANCES FOR USE AT HIGH ALTITUDES CAN / CGA 2.17-M91.

This Direct Vent System Appliance must be installed in accordance with the manufacturer's installation instructions and the Manufactured Home Construction and Safety Standard, Title 24 CFR, Part 3280, or the current Standard of Fire Safety Criteria for Manufactured Home Installations, Sites, and Communities ANSI/NFPA 501A, and with CAN/CSA Z240-MH Mobile Home Standard in Canada.

This appliance installation must comply with the manufacturer's installation instructions and local codes, if any. In the absence of local codes follow the current National Fuel Gas Code, ANSI Z223.1 and the current National Electrical Code ANSI/NFPA 70 in the U.S.A., and the current CAN/CGA B149 Gas Installation Code and the current Canadian Electrical Code CSA C22.1 in Canada.

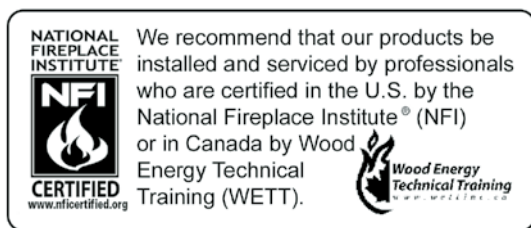
This appliance comes equipped with a dedicated #8 Ground Lug for attachment of the ground wire to the steel chassis as applicable to local codes.

The appliance, when installed, must be electrically grounded in accordance with local codes or, in the absence of local codes, with the National Electrical Code, ANSI/NFPA 70, or the Canadian Electrical Code, CSA C22.1.

This appliance may only be installed in an aftermarket permanently located, manufactured (U.S.A only) or mobile home, where not prohibited by local codes.

This appliance can only be used with the type of gas indicated on the rating plate. This appliance is not convertible for use with other gases.

Ensure that structural members are not cut or weakened during installation.



## 4 | table of contents


Safety Decal .....	5	Unit Installation with Horizontal Termination Rigid.....	32
MA Code - CO Detector.....	6	Unit Installation with Horizontal Termination Flex.....	33
Unit Dimensions .....	7	Unit Installation with Vertical Termination .....	34
Important Message .....	8	Gas Line Installation.....	34
Before You Start .....	8	Pilot Adjustment.....	35
General Safety Information.....	8	High Elevation .....	35
Installation Checklist.....	9	Gas Pipe Pressure Testing .....	35
Locating Your Gas Fireplace .....	9	885 S.I.T. Valve Description/System Data .....	35
Clearances .....	10	Brick Panel Installation .....	36
Mantel Clearances.....	11	Optional Black Enamel Panel Installation.....	37
Mantel Leg Clearances.....	12	Log Set Installation .....	39
Non-Combustible Requirements .....	12	Wiring Diagram.....	43
Framing .....	13	AC Adaptor Installation .....	44
Wall Mount On / Off Switch Receiver Installation .....	14	Optional Fan Installation.....	45
Finishing .....	15	Wiring Diagram with Optional Fan.....	47
Unit Assembly Prior to Installation.....	16	Optional Wall Thermostat Installation .....	48
Top Standoff Assembly .....	16	Optional Accent Light Installation .....	49
Top Facing Support.....	16	Flush Glass Door Installation.....	52
Side Nailing Strips .....	16	Optional Finishing Trim Installation.....	53
Conversion to Top Vent .....	17	Vignette Frame and Safety Screen Installation .....	53
Venting Introduction.....	19	Operating Instructions .....	54
Vent Restrictor & Baffle Installation .....	19	First Fire .....	54
Exterior Vent Termination Requirements .....	20	Normal Operating Sounds of Gas Appliances .....	54
5" x 8" Rigid Pipe Cross Reference Chart Only.....	21	Aeration Adjustment .....	54
Venting Arrangements for Horizontal Terminations .....	23	Lighting Procedure .....	55
Rear Venting Deflector Installation .....	23	Copy of Lighting Plate Instructions.....	56
Horizontal Terminations Flex Vent.....	24	Maintenance Instructions.....	57
Horizontal Terminations Rigid Pipe.....	25	General Vent Maintenance .....	57
AstroCap XL & Rigid Rear Vent Kit for Corner Install..	26	Log Replacement .....	57
Venting Arrangements for Horizontal Terminations .....	27	Glass Gasket / Door Glass .....	57
Basic Horizontal & Vertical Terminations .....	28	Accent Light Bulb Replacement .....	58
Horizontal Terminations Two (2) 90° Elbows .....	29	Valve Replacement.....	59
Horizontal Terminations Three (3) 90° Elbows .....	29	Main Assembly .....	60
Venting Arrangements For Vertical Terminations.....	30	Burner Assembly .....	61
Vertical Terminations Three (3) 90° Elbows.....	31	Accessories .....	62
		The Warranty: Limited Lifetime .....	63

This is a copy of the label that accompanies each Bellavista™ B41XTE Direct Vent Gas Fireplace. We have printed a copy of the contents here for your review.

**NOTE:** Regency® units are constantly being improved. Check the label on the unit and if there is a difference, the label on the unit is the correct one.

**COPY OF THE SAFETY DECAL**

Duplicate S/N
369



**Intertek**  
4001172

**Listed:** VENTED GAS FIREPLACE HEATER / FOYER AU GAZ À ÉVACUATION **DO NOT REMOVE THIS LABEL / NE PAS ENLEVER CETTE ÉTIQUETTE**

**Certified for/Certifiée pour:** CANADA and U.S.A.

**Tested to:** CAN/CGA-2.17-M91(R2009)

**Conforms to:** ANSI Z21.88-2014

**Certified to:** CSA 2.33-2014

**MAY BE INSTALLED IN MANUFACTURED (MOBILE) HOMES AFTER FIRST SALE.**

Serial No./ No de serie

369

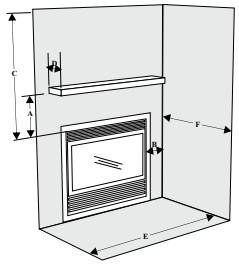
**NATURAL GAS: Model B41XTE-NG10**

Minimum supply pressure	5.0"	WC/C.E.	(1.25 kPa)
Manifold pressure high	3.5"	WC/C.E.	(0.87 kPa)
Manifold pressure low	1.6"	WC/C.E.	(0.40 kPa)
Orifice size	#30	DMS	
Minimum input	30,000	Btu/h	(8.79 kW)
Maximum input	42,500	Btu/h	(12.45 kW)
Altitude	0-4500	ft/pi	(0-1372 m)

**APPAREIL FONCTIONNANT AU NATURAL GAS  
CONCU POUR ETRE POELE: Modèle B41XTE-NG10**

Pression d'alimentation minimum  
Pression à la tubulure d'échappement élevée  
Pression à la tubulure d'échappement basse  
Grandeur de l'injecteur  
Débit Calorifique minimum selon  
Débit Calorifique maximum selon  
l'altitude

**Minimum Clearances to Combustibles /  
Degagement Minimum De Materiaux Combustibles**



**Mantel Clearances from  
Fireplace Opening:**  
(A) Min. 15" (381mm)

**Side Wall Clearance  
from Fireplace Opening**  
B) Min. 9" (229mm)

**Ceiling from Top of  
Fireplace Opening:**  
C) 33-3/4" (857mm)

**Mantel Depth:**  
D) Max. 12" (304mm)

**Alcove Clearances:**  
E) Min. Width 60" (1524mm),  
F) Max. Depth 36" (914mm)

**Minimum Vent Clearances:**  
Horizontal Top 3" (76mm)  
Horizontal Side 2" (51mm)  
Horizontal Bottom 2" (51mm)  
Vertical Vent 2" (51mm)

**DOOR SEAL: Please  
check that the door is  
properly sealed**

(See Instruction Manual for  
detailed instructions)

**PROPANE GAS: Model B41XTE-LP10**

Minimum supply pressure	11"	WC/C.E.	(2.74 kPa)
Manifold pressure high	10"	WC/C.E.	(2.49 kPa)
Manifold pressure low	6.4"	WC/C.E.	(1.60 kPa)
Orifice size	#49	DMS	
Minimum input	29,500	Btu/h	(8.65 kW)
Maximum input	37,500	Btu/h	(10.99 kW)
Altitude	0-4500	ft/pi	(0-1372 m)

**ÉQUIPÉ A L'USINE POUR GAZ PROPANE  
CONCU POUR ETRE POELE: Modèle B41XTE-LP10**

Pression d'alimentation minimum  
Pression à la tubulure d'échappement élevée  
Pression à la tubulure d'échappement basse  
Grandeur de l'injecteur  
Débit Calorifique minimum selon  
Débit Calorifique maximum selon  
l'altitude

This appliance must be installed in accordance with local codes, if any; if none, follow the National Fuel Gas Code, ANSI Z223.1, or Natural Gas and Propane Installation Code, CSA B149.1.

This appliance must be installed in accordance with the Standard CAN/CSA Z240 MH, Mobile Housing, in Canada, or with the Manufactured Home Construction and Safety Standard, Title 24 CFR, Part 3280, in the United States, or when such a standard is not applicable, ANSI/NCSCS A225.1/NFPA 501A, Manufactured Home Installations Standard.

This appliance is only for use with the type of gas indicated on the rating plate and may be installed in an aftermarket, permanently located, manufactured (mobile) home where not prohibited by local codes. See owner's manual for details.

Installer l'appareil selon les codes ou règlements locaux, ou, en l'absence de tels règlements, selon les codes d'installation ANSI Z223.1, National Fuel Gas Code ou CSA-B149.1 en vigueur.

Installer l'appareil selon la norme CAN/CSA-Z240, Série MM, Maison mobiles ou CAN/CSA-Z240 VC, Véhicules de camping, ou la norme 24 CFR Part 3280, Manufactured Home Construction and Safety Standard.

Si ces normes ne sont pas pertinentes, utilisez la norme ANSI/NCSCS A225.1/NFPA 501A, Manufactured Home Installations Standard, ou ANSI A119.2 ou NFPA 501C Standard for Recreational Vehicles.

Cet appareil doit être utilisé uniquement avec le type de gaz indiqué sur la plaque signalétique. Cet appareil peut être installé dans une maison préfabriquée ou mobile (É.-U. seulement) installée à demeure si les règlements locaux le permettent. Voir la notice de l'utilisateur pour plus de renseignements. Cet appareil ne peut pas être utilisé avec d'autres gaz sauf si une trousse de conversion certifiée est fournie.

**This vented gas fireplace heater is not for use with air filters. Ne pas utiliser de filtre à air avec ce foyer au gaz à évacuation.**

For use with glass doors certified with the appliance only  
Electrical supply / Électrique 115VAC, 1.13 A, 60Hz.  
Pour utilisation uniquement avec les portes en verre certifiées avec l'appareil  
Made in Canada/ Fabrique au Canada

**For Use Only with Barrier (Part #578-005 with Vignette) or (Part #578-929 Installed with Louvers) Follow installation instructions.**  
**Utiliser uniquement avec l'écran (n° 578-005 avec Vignette) ou (n° 578-929 Installation avec Louvers) Suivre les instructions d'installation.**

**VENTED GAS FIREPLACE HEATER - NOT FOR USE WITH SOLID FUELS.**  
**FOYER AU GAZ À ÉVACUATION - NE PAS UTILISER AVEC DU COMBUSTIBLE SOLIDE.**

**FPI Fireplace Products International Ltd.**  
Delta, BC, Canada 919-376a

For the State of Massachusetts, installation and repair must be done by a plumber or gas fitter licensed in the Commonwealth of Massachusetts.

For the State of Massachusetts, flexible connectors shall not exceed 36 inches in length.

For the State of Massachusetts, the appliances individual manual shut-off must be a t-handle type valve.

The State of Massachusetts requires the installation of a carbon monoxide alarm in accordance with NFPA 720 and a CO alarm with battery back up in the same room where the gas appliance is installed.



**MA Code - CO Detector**  
**(for the State of Massachusetts only)**

5.08: Modifications to NFPA-54, Chapter 10

(2) Revise 10.8.3 by adding the following additional requirements:

(a) For all side wall horizontally vented gas fueled equipment installed in every dwelling, building or structure used in whole or in part for residential purposes, including those owned or operated by the Commonwealth and where the side wall exhaust vent termination is less than seven (7) feet above finished grade in the area of the venting, including but not limited to decks and porches, the following requirements shall be satisfied:

1. **INSTALLATION OF CARBON MONOXIDE DETECTORS.** At the time of installation of the side wall horizontal vented gas fueled equipment, the installing plumber or gasfitter shall observe that a hard wired carbon monoxide detector with an alarm and battery back-up is installed on the floor level where the gas equipment is to be installed. In addition, the installing plumber or gasfitter shall observe that a battery operated or hard wired carbon monoxide detector with an alarm is installed on each additional level of the dwelling, building or structure served by the side wall horizontal vented gas fueled equipment. It shall be the responsibility of the property owner to secure the services of qualified licensed professionals for the installation of hard wired carbon monoxide detectors

a. In the event that the side wall horizontally vented gas fueled equipment is installed in a crawl space or an attic, the hard wired carbon monoxide detector with alarm and battery back-up may be installed on the next adjacent floor level.

b. In the event that the requirements of this subdivision can not be met at the time of completion of installation, the owner shall have a period of thirty (30) days to comply with the above requirements; provided, however, that during said thirty (30) day period, a battery operated carbon monoxide detector with an alarm shall be installed.

2. **APPROVED CARBON MONOXIDE DETECTORS.** Each carbon monoxide detector as required in accordance with the above provisions shall comply with NFPA 720 and be ANSI/UL 2034 listed and IAS certified.

3. **SIGNAGE.** A metal or plastic identification plate shall be permanently mounted to the exterior of the building at a minimum height of eight (8) feet above grade directly in line with the exhaust vent terminal for the horizontally vented gas fueled heating appliance or equipment. The sign shall read, in print size no less than one-half (1/2) inch in size, "**GAS VENT DIRECTLY BELOW. KEEP CLEAR OF ALL OBSTRUCTIONS**".

4. **INSPECTION.** The state or local gas inspector of the side wall horizontally vented gas fueled equipment shall not approve the installation unless, upon inspection, the inspector observes carbon monoxide detectors and signage installed in accordance with the provisions of 248 CMR 5.08(2)(a)1 through 4.

(b) **EXEMPTIONS:** The following equipment is exempt from 248 CMR 5.08(2)(a)1 through 4:

1. The equipment listed in Chapter 10 entitled "Equipment Not Required To Be Vented" in the most current edition of NFPA 54 as adopted by the Board; and

2. Product Approved side wall horizontally vented gas fueled equipment installed in a room or structure separate from the dwelling, building or structure used in whole or in part for residential purposes.

(c) **MANUFACTURER REQUIREMENTS - GAS EQUIPMENT VENTING SYSTEM PROVIDED.** When the manufacturer of Product Approved side wall horizontally vented gas equipment provides a venting system design or venting system components with the equipment, the instructions provided by the manufacturer for installation of the equipment and the venting system shall include:

1. Detailed instructions for the installation of the venting system design or the venting system components; and

2. A complete parts list for the venting system design or venting system.

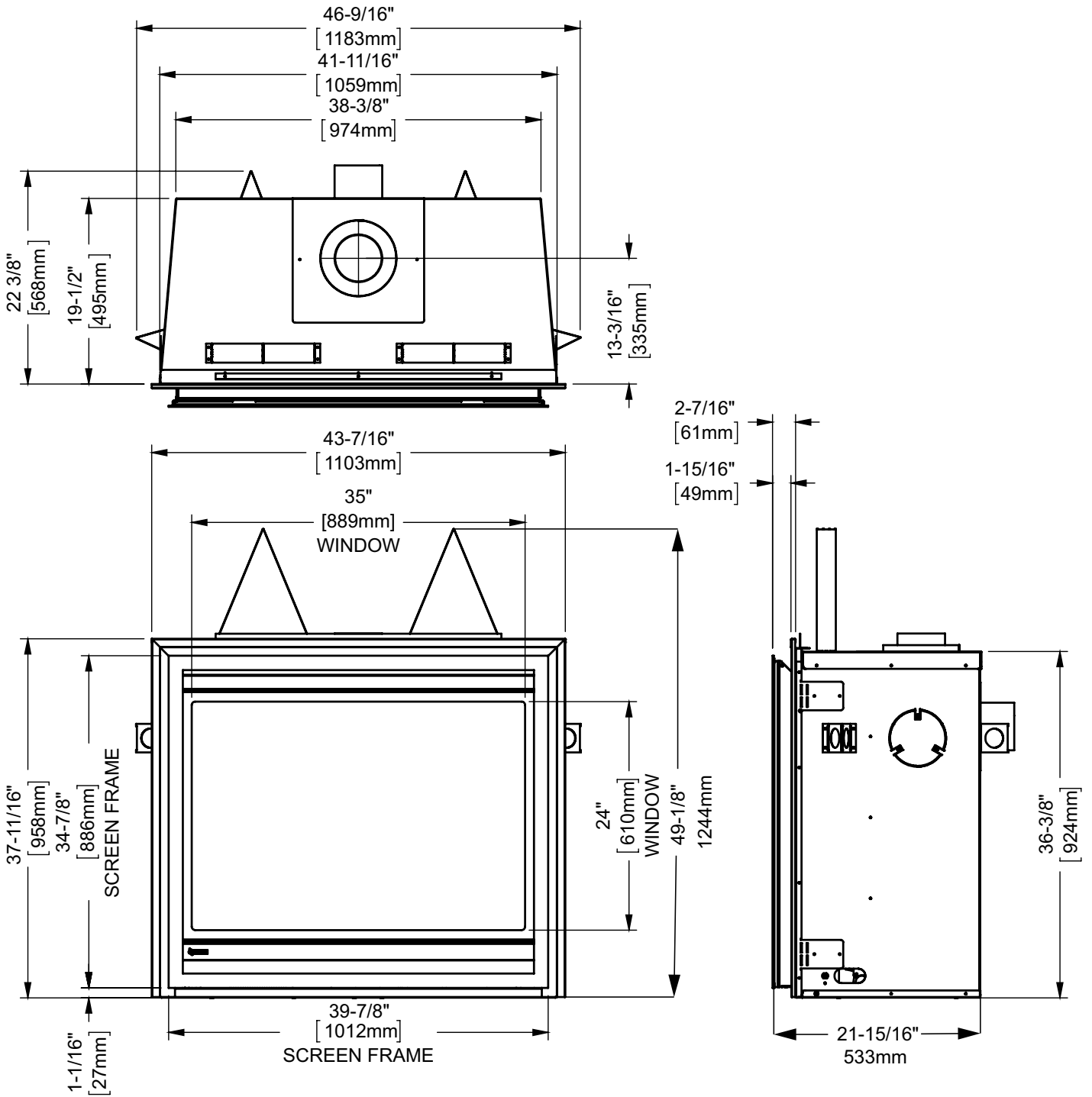
(d) **MANUFACTURER REQUIREMENTS - GAS EQUIPMENT VENTING SYSTEM NOT PROVIDED.** When the manufacturer of a Product Approved side wall horizontally vented gas fueled equipment does not provide the parts for venting the flue gases, but identifies "special venting systems", the following requirements shall be satisfied by the manufacturer:

1. The referenced "special venting system" instructions shall be included with the appliance or equipment installation instructions; and

2. The "special venting systems" shall be Product Approved by the Board, and the instructions for that system shall include a parts list and detailed installation instructions.

(e) A copy of all installation instructions for all Product Approved side wall horizontally vented gas fueled equipment, all venting instructions, all parts lists for venting instructions, and/or all venting design instructions shall remain with the appliance or equipment at the completion of the installation.

UNIT DIMENSIONS



**IMPORTANT MESSAGE**

**SAVE THESE INSTRUCTIONS**

The B41XTE Gas Fireplace must be installed in accordance with these instructions. Carefully read all the instructions in this manual first. Consult the "authority having jurisdiction" to determine the need for a permit prior to starting the installation. It is the responsibility of the installer to ensure this fireplace is installed in compliance with manufacturers instructions and all applicable codes.

**BEFORE YOU START**

Safe installation and operation of this appliance requires common sense, however, we are required by the Canadian Safety Standards and ANSI Standards to make you aware of the following:

**INSTALLATION AND REPAIR SHOULD BE DONE BY AN AUTHORIZED SERVICE PERSON. THE APPLIANCE SHOULD BE INSPECTED BEFORE USE AND AT LEAST ANNUALLY BY A PROFESSIONAL SERVICE PERSON. MORE FREQUENT CLEANING MAY BE REQUIRED DUE TO EXCESSIVE LINT FROM CARPETING, BEDDING MATERIAL, ETC. IT IS IMPERATIVE THAT CONTROL COMPARTMENTS, BURNERS AND CIRCULATING AIR PASSAGEWAYS OF THE APPLIANCE BE KEPT CLEAN.**

**DUE TO HIGH TEMPERATURES, THE APPLIANCE SHOULD BE LOCATED OUT OF TRAFFIC AND AWAY FROM FURNITURE AND DRAPERIES.**

**WARNING: FAILURE TO INSTALL THIS APPLIANCE CORRECTLY WILL VOID YOUR WARRANTY AND MAY CAUSE A SERIOUS HOUSE FIRE.**

**CHILDREN AND ADULTS SHOULD BE ALERTED TO THE HAZARDS OF HIGH SURFACE TEMPERATURES, ESPECIALLY THE FIREPLACE GLASS, AND SHOULD STAY AWAY TO AVOID BURNS OR CLOTHING IGNITION.**



**YOUNG CHILDREN SHOULD BE CAREFULLY SUPERVISED WHEN THEY ARE IN THE SAME AREA AS THE APPLIANCE. TODDLERS, YOUNG CHILDREN AND OTHERS MAY BE SUSCEPTIBLE TO ACCIDENTAL CONTACT BURNS. A PHYSICAL BARRIER IS RECOMMENDED IF THERE ARE AT RISK INDIVIDUAL IN THE HOUSE. TO RESTRICT ACCESS TO A FIREPLACE OR STOVE, INSTALL AN ADJUSTABLE SAFETY GATE TO KEEP TODDLERS, YOUNG CHILDREN AND OTHER AT RISK INDIVIDUALS OUT OF THE ROOM AND AWAY FROM HOT SURFACES.**

**CLOTHING OR OTHER FLAMMABLE MATERIAL SHOULD NOT BE PLACED ON OR NEAR THE APPLIANCE.**

**A BARRIER DESIGNED TO REDUCE THE RISK OF BURNS FROM THE HOT VIEWING GLASS IS PROVIDED WITH THIS APPLIANCE AND SHALL BE INSTALLED FOR THE PROTECTION OF CHILDREN AND OTHER AT-RISK INDIVIDUALS**

**IF THE BARRIER BECOMES DAMAGED, THE BARRIER SHALL BE REPLACED WITH THE MANUFACTURER'S BARRIER FOR THIS APPLIANCE.**

**ANY SAFETY SCREEN, GUARD, OR BARRIER REMOVED FOR SERVICING AN APPLIANCE MUST BE REPLACED PRIOR TO OPERATING THE APPLIANCE.**

**GENERAL SAFETY INFORMATION**

- 1) The appliance installation must conform with local codes or, in the absence of local codes, with the current Canadian or National Gas Codes, CAN1-B149 or ANSI Z223.1 Installation Codes.
- 2) The appliance when installed, must be electrically grounded in accordance with local codes, or in the absence of local codes with the current National Electrical Code, ANSI/NFPA 70 or CSA C22.1 Canadian Electrical Code.
- 3) See general construction and assembly instructions. The appliance and vent should be enclosed.

- 4) This appliance must be connected to the specified vent and termination cap to the outside of the building envelope. Never vent to another room or inside a building. Make sure that the vent is fitted as per Venting instructions.
- 5) Inspect the venting system annually for blockage and any signs of deterioration.
- 6) Venting terminals shall not be recessed into a wall or siding.
- 7) Any safety glass removed for servicing must be replaced prior to operating the appliance.
- 8) To prevent injury, do not allow anyone who is unfamiliar with the operation to use the fireplace.
- 9) Wear gloves and safety glasses for protection while doing required maintenance.
- 10) Be aware of electrical wiring locations in walls and ceilings when cutting holes for termination.
- 11) Under no circumstances should this appliance be modified. Parts that have to be removed for servicing should be replaced prior to operating this appliance.
- 12) Installation and any repairs to this appliance should be done by a qualified service person. A professional service person should be called to inspect this appliance annually. Make it a practice to have all of your gas appliances checked annually.
- 13) Do not slam shut or strike the glass door.
- 14) Under no circumstances should any solid fuels (wood, paper, cardboard, coal, etc.) be used in this appliance.
- 15) The appliance area must be kept clear and free of combustible materials, (gases and other flammable vapours and liquids).

Emissions from burning wood or gas could contain chemicals known to the State of California to cause cancer, birth defects or other reproductive harm.



## INSTALLATION CHECKLIST

- 1) Locate appliance
  - a) Room location (Refer to "Locating Your Gas fireplace" section)
  - b) Clearances to Combustibles (Refer to "Clearances" section)
  - c) Mantle Clearances (Refer to "Combustible Mantel Clearances" section)
  - d) Framing & Finishing Requirements (Refer to "Framing & Finishing" section)
  - e) Venting Requirements (Refer to "Venting" section)
- 2) Assemble Top Standoffs and Top Facing Support and Side Nailing Strips (Refer to "Unit Assembly Prior to Installation" Section).  
**Note:** Must be done before installing unit into place.
- 3) Install vent (Refer to "Venting" sections).
- 4) Make gas connections. Test the pilot. Must be as per diagram (Refer to "Pilot Adjustment" section).
- 5) Make electrical connections to receptacle supplied with unit (recommended).
- 6) Install standard and optional features. Refer to the following sections:
  - a. Install 4AA batteries into remote receiver / hookup AC power adaptor
  - b. Inner Panels or Brick Panels (Required)
  - c. Log Set Installation
  - d. Standard Flush Door
  - e. Fan Installation (Optional)
  - f. Light Installation (Optional)
  - g. Finishing Trim (Optional)
  - h. Vignette Finishing Trim (Optional)
  - i. Safety Screen (Optional)
  - j. Premium Front (Optional)
- 7) Final check.

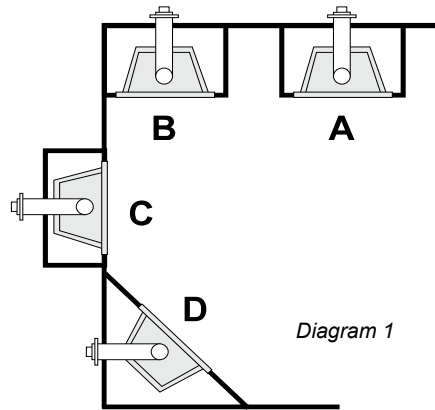
**This includes:**

- 1) Clocking the appliance to ensure the correct firing rate (rate noted on label), after burning appliance for 15 minutes.
- 2) If required, adjusting the primary air to ensure that the flame does not carbon. First allow the unit to burn for 15-20 min. to stabilize.

**CAUTION: Any alteration to the product that causes sooting or carboning that results in damage is not the responsibility of the manufacturer.**

### LOCATING YOUR GAS FIREPLACE

- 1) When selecting a location for your fireplace, ensure that the clearances are met.
- 2) The appliance must be installed on a flat, solid, continuous surface. For example a wood, metal or concrete floor or in a raised (on the wall) application. The appliance must be installed on a metal or wood panel extending the full width and depth of the appliance.
- 3) The B41XTE Gas Fireplace can be installed in a recessed position or framed out into the room as in A, B, C and D. See Diagram 1.



- A) Flat on Wall
- B) Flat on Wall Corner
- C) Recessed into Wall/Alcove
- D) Corner

- 4) This appliance is Listed for bedroom installations using the standard Remote (millivolt thermostat system). Some areas may have further requirements, check local codes before installation.
- 5) The B41XTE Gas Fireplace are approved for alcove installations, see "Clearances" section for details.
- 6) We recommend that you plan your installation on paper using exact measurements for clearances and floor protection before actually installing this appliance. Have an authorized inspector, dealer, or installer review your plans before installation.

**Note: For vent terminations refer to "Exterior Vent Termination Locations" section.**

## CLEARANCES

The clearances listed below are Minimum distances unless otherwise stated:

A major cause of chimney related fires is failure to maintain required clearances (air space) to combustible materials. It is of the greatest importance that this fireplace and vent system be installed only in accordance with these instructions.

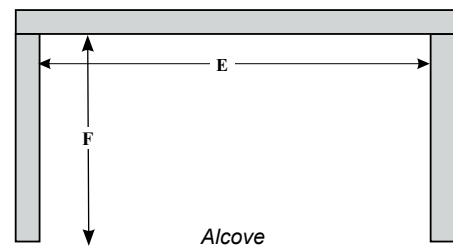
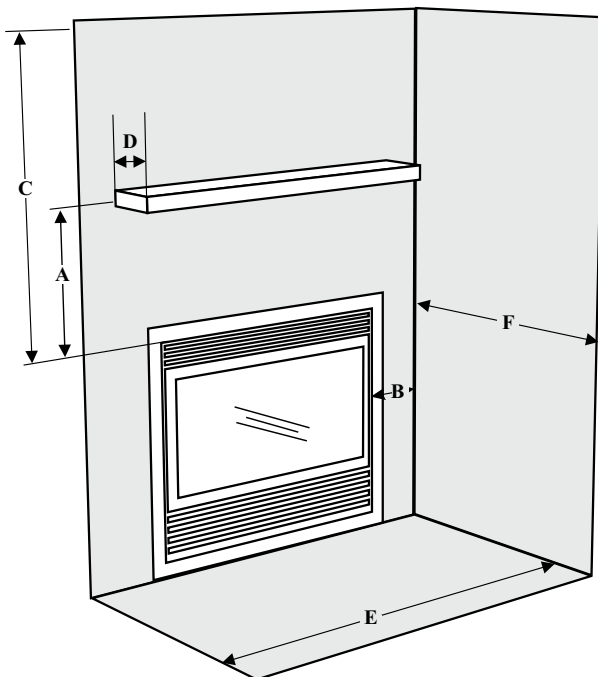
**Caution Requirements**  
 The top, back and sides of the fireplace are defined by standoffs. The metal ends of the standoff may **NOT** be recessed into combustible construction.

**WARNING**  
 Fire hazard is an extreme risk if these clearances (air space) to combustible materials are not adhered to. It is of greatest importance that this fireplace and vent system be installed only in accordance with these instructions.

### B41XTE Clearance Requirements

Clearance:	Dimension	Measured From:
A: Mantel Height (min.) with Premium Front	23 1/2" (330mm)	Top of Fireplace Opening
A: Mantel Height (min.) with Vignette and Finishing Trim	24 9/16" (330mm)	Top of Fireplace Opening
A: Mantel Height (min.)	15" (381 mm)	Top of Unit
B: Sidewall	9" (229mm)	Side of Fireplace Opening
C: Ceiling	33-3/4" (933mm)	Top of Fireplace Opening
D: Mantel Depth (max.)	12" (304mm)	(See Dimension A) from Top of Fireplace Opening
E: Alcove Width	60" (1524mm)	Wall to Wall (Minimum)
F: Alcove Depth	36" (914mm)	Front to Back Wall (Maximum)
Notes:	0"	No Hearth Required

**NOTE:** A 16" deep non-combustible hearth pad is recommended for hardwood flooring and carpet.



### Minimum Vent Clearances to Combustibles

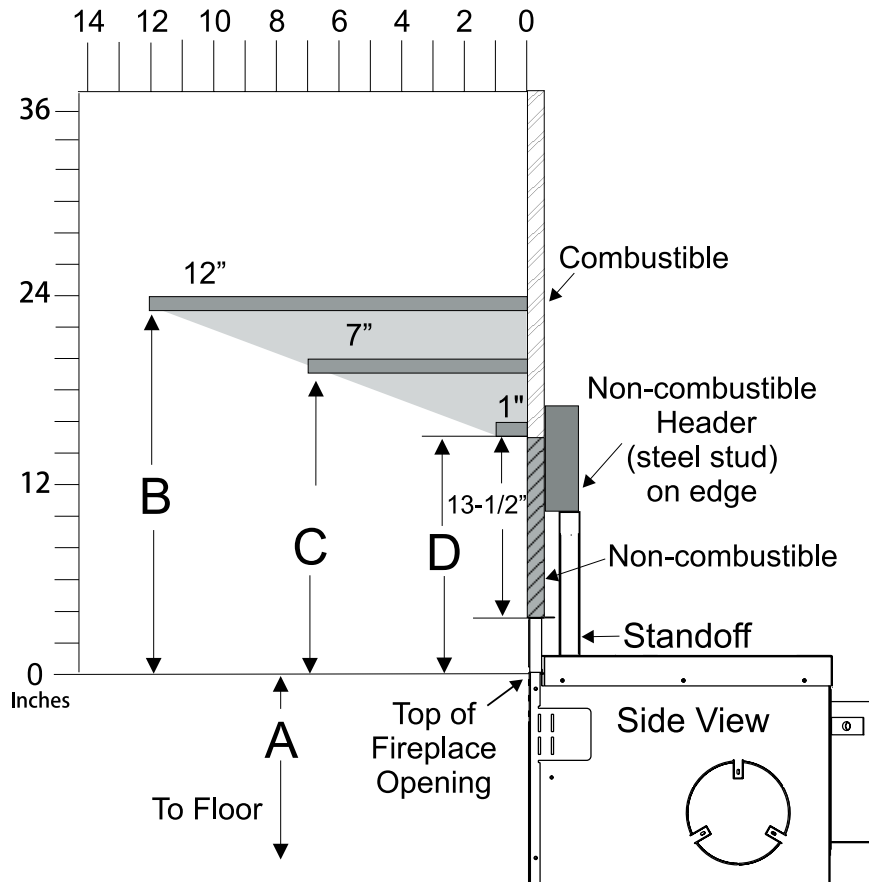
Horizontal Top	3" (76mm)
Horizontal Side	2" (51mm)
Horizontal Bottom	2" (51mm)
Vertical Vent	2" (51mm)

## MANTEL CLEARANCES

Due to the extreme heat this fireplace emits, the mantel clearances are critical. Combustible mantel clearances from top of front facing are shown in the diagram on the right.

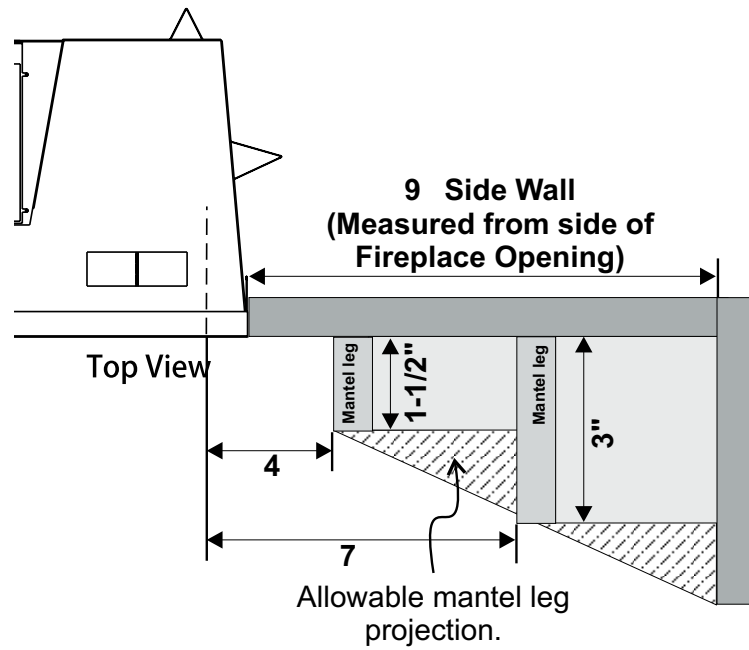
**Note:** A non-combustible mantel may be installed at a lower height if the framing is made of metal studs covered with a non-combustible board.

**Note:** Ensure the paint that is used on the mantel and the facing is "heat resistant" or the paint may discolour.

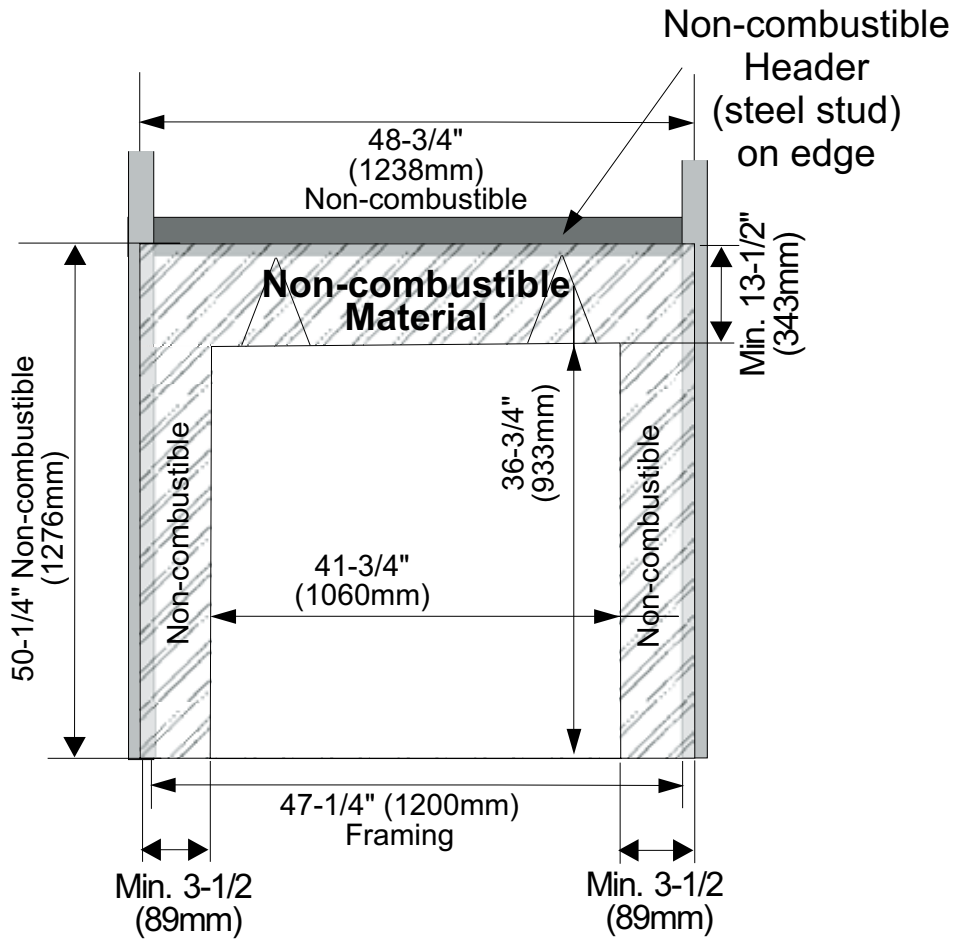


Mantel Clearances B41XT	A	B	C	D
From Top of Fireplace Opening	35-1/4" (895mm)	23-1/4" (591mm)	19-1/2" (495mm)	15" (381mm)

**MANTEL LEG CLEARANCES**



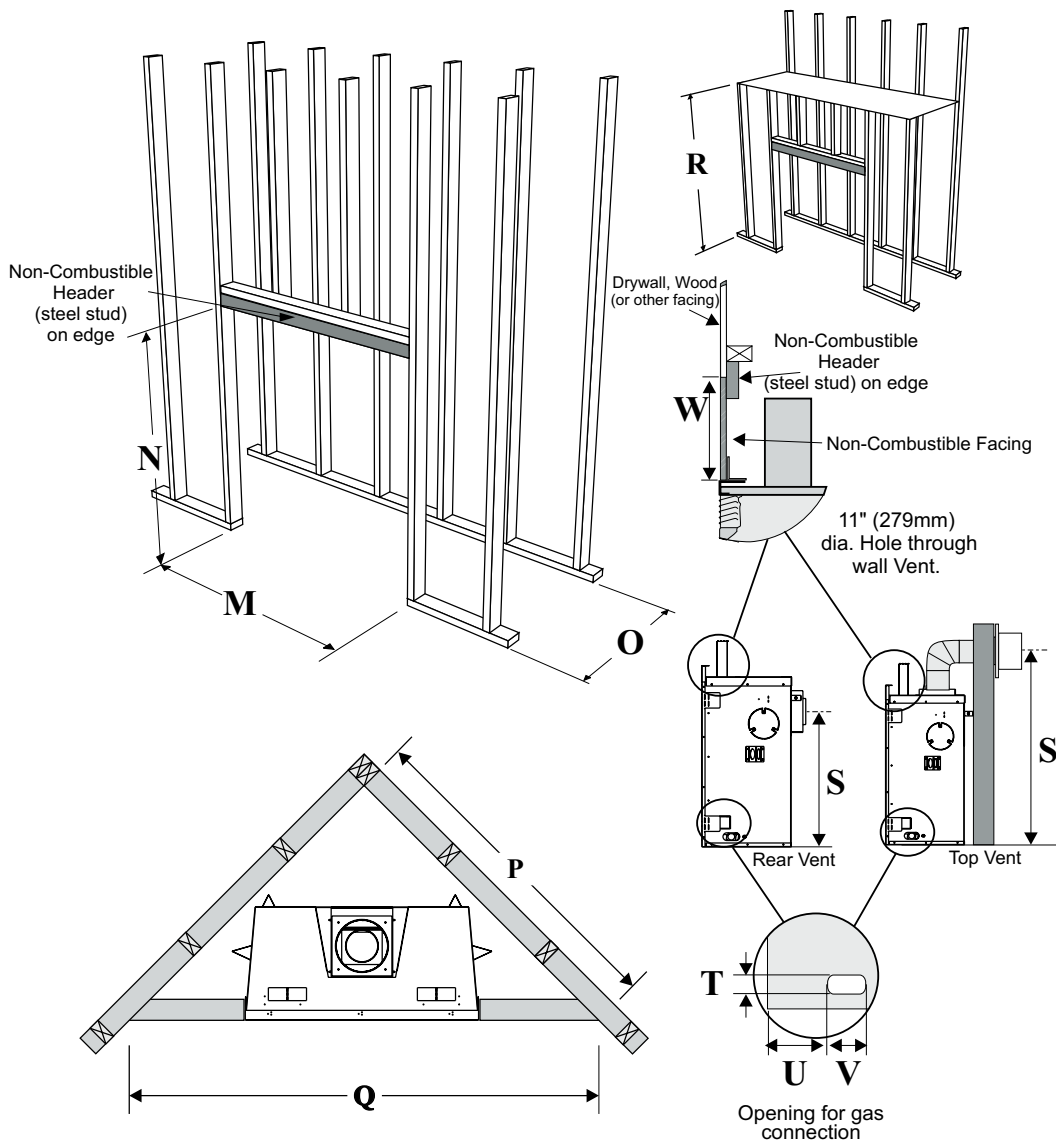
**NON-COMBUSTIBLE REQUIREMENTS**



FRAMING

Framing Dimensions	Description	B41XTE
M	Framing Width	47-1/4"(1200mm)
N	Framing Height	49-1/2" (1257mm)
O (Rear Vent)	Framing Depth - Rear Vent	23-1/4" (591mm)
O (Top Vent)	Framing Depth - Top Vent	22-5/8" (575mm)
P	Corner Facing Wall Width	60-1/4" (1530mm)
Q	Corner Facing Wall Width	85-3/16" (2163mm)
R (Rear Vent)	Framed Chase Ceiling - Rear	49-1/2" (1257mm)
R (Top Vent)	Framed Chase Ceiling - Top	54-1/2" (1384mm)
S (Rear Vent)	Vent Centerline Height - Rear	28-1/2" (724mm)
S (Top Vent)	Vent Centerline Height - Top	47-1/2" (1207mm) Rigid / Flex
T	Gas Connection Height	1-1/2" (38mm)
U	Gas Connection Inset	5" (127mm)
V	Gas Connection Width	3-1/4" (82mm)
W	Non-Combustible Top Height	13-1/2" (343mm)

**\*\* Important:** Framing height requires consideration of the hearth depth. Dimension N = N + the thickness of the installed hearth.



**WALL MOUNT ON / OFF SWITCH AND REMOTE RECEIVER INSTALLATION  
REQUIRED FOR ALL INSTALLATIONS - INCLUDING PROFLAME REMOTE CONTROLS**

**IMPORTANT INSTALLATION NOTE:**

The Receiver must be placed inside the supplied (Low Voltage) junction type wall box and installed into the wall only.

**DO NOT INSTALL WITHIN THE CONFINES OF THE FIREPLACE.**

**Remote Receiver Installation**

1. Install the low voltage junction box to the framing, at desired location within 10 ft. from fireplace.
2. Feed the 12 pin connector through the opening at back of junction box.
3. Connect the 12 pin connector to the back of the receiver.
4. Install the Receiver in the Low Voltage Junction box.
5. Insert the 4 AA type batteries in the battery compartment with the correct polarity.
6. Place the slider into the cover plate.
7. Put the Receiver switch in the "OFF" position, to allow correct lineup for slider switch.
8. Make sure the Receiver and cover plate words "ON" and "UP" are on the same side.
9. Align the slider with the switch on the Receiver and couple the switch into the slider.
10. Align the screw holes.
11. Using the two (2) screws provided secure the cover plate to the Receiver.



Low Voltage Junction Box

**Proflame Receiver**

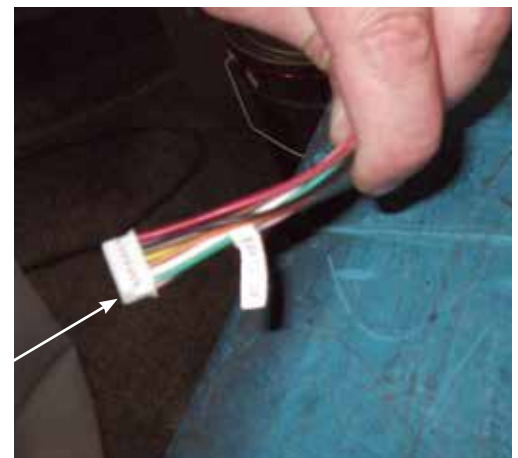
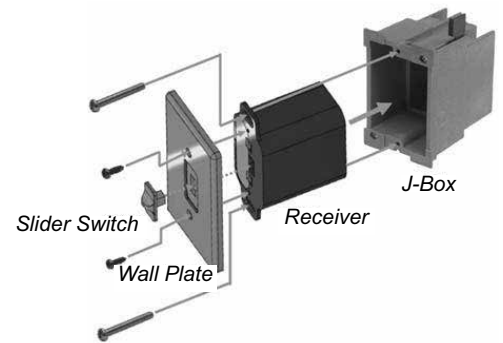
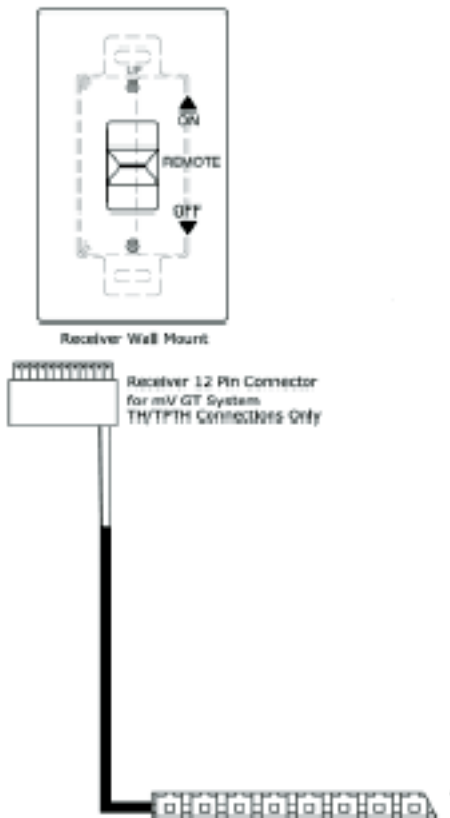


Diagram 1



## FINISHING

### IMPORTANT FINISHING DETAIL NOTE:

Before placing unit into final position - it is important to know the total thickness / height of finished hearth (tile, carpet, etc.) The base of the fireplace should be level or higher than the finished hearth height.

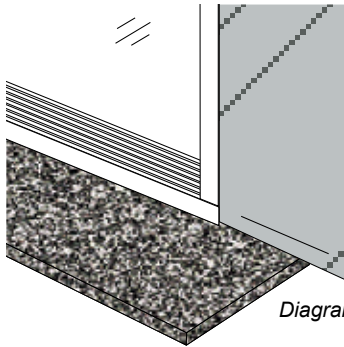


Diagram 1

**Note:**

All non-combustible facing material should butt up cleanly to the flanges around the firebox opening.

Rough edges will be visible from the front view with the flush louvers or flush panels - if not using the optional finishing trim.

To maintain a clean finished edge - it is recommended to install the non-combustible facing material with the finished edge against the fireplace / nailing strips.

Alternatively, you can use J Style Trim or Metal Corner Bead to cover cut edges of the non-combustible facing material.

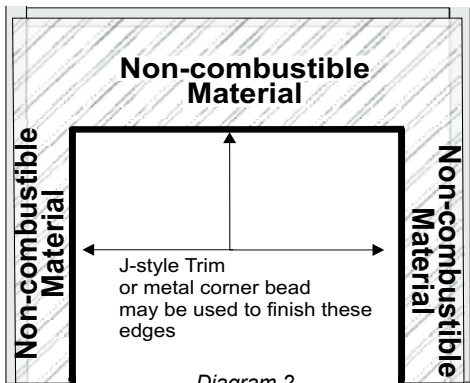


Diagram 2

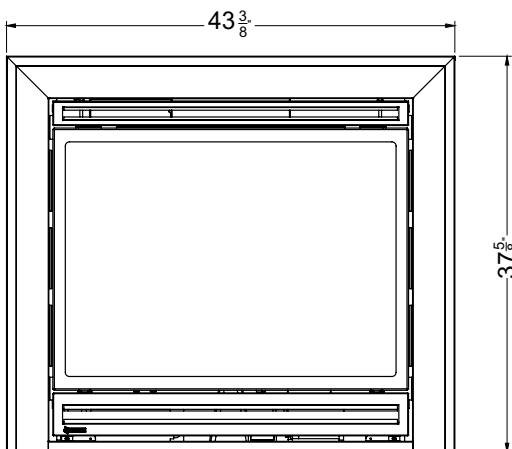


Diagram 3: Shown with optional Finishing Trim

## UNIT ASSEMBLY PRIOR TO INSTALLATION

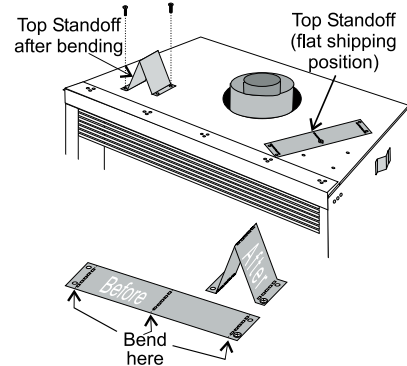
### BEFORE YOU START

The Top Facing Support, the Side Nailing Strips, the 2 Top Standoffs and the Flue Collar must be correctly positioned and attached before the fireplace is moved into position.

#### TOP STANDOFF ASSEMBLY

The top standoffs are shipped in a flat position and must be folded into shape and attached.

- 1) Remove the standoffs from the fireplace top.
- 2) Take each standoff and bend into the correct shape. Bend up at the bend lines until the screw holes in the standoff and the pre-punched screw holes on the fireplace top line up.
- 3) Attach the standoff securely to the top with 2 screws per standoff (on opposite corners).



#### TOP FACING SUPPORT

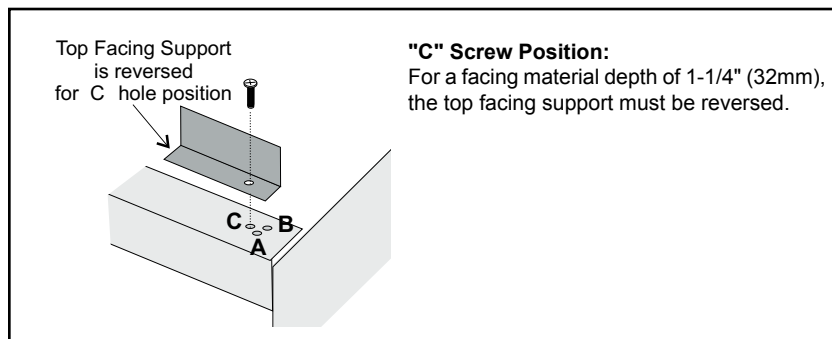
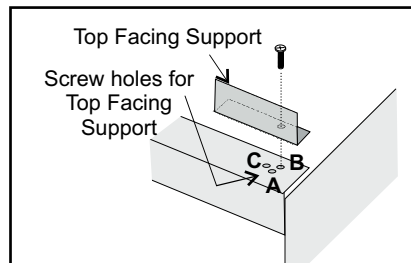
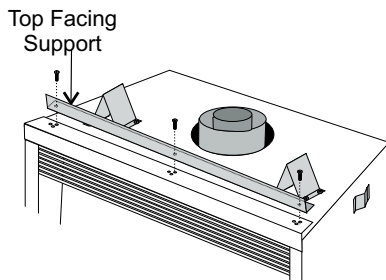
Determine the total thickness of facing material (e.g. drywall or wood plus ceramic tiles) to allow the finished surface to be flush with the front of the unit. Total facing thickness can vary from 1/2" (13mm) to 1-1/4" (32mm) thick.

The Top Facing Support can be mounted in 3 different positions depending on the thickness of the facing material.

Screw Position	Facing Material Depth
A	1/2" / 13mm
B	7/8" / 22mm
C*	1-1/4" / 32mm

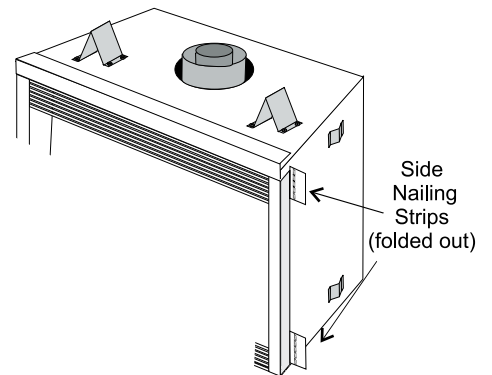
\* For "C" screw position the top facing support is reversed.

- 1) Mount Top Facing Support using the 3 supplied screws into the three pre-punched screw holes on the top front of the unit. Use hole positions A, B, or C depending on your facing depth.

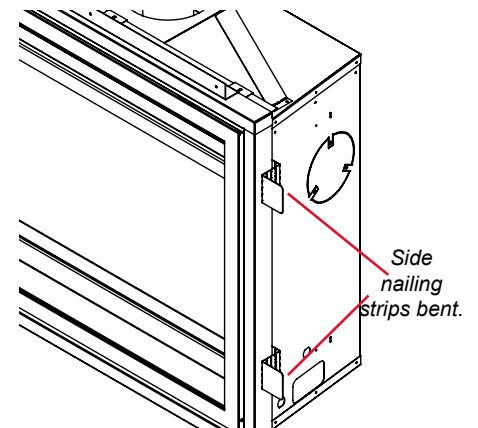


#### SIDE NAILING STRIPS

The side nailing strips come attached to the unit. There are 2 plates, one on the top and bottom that can be folded out as required depending on the facing depth as per chart shown.



If finishing flush with the Vignette Finishing Trim - bend nailing strips around side trim pieces as shown below.



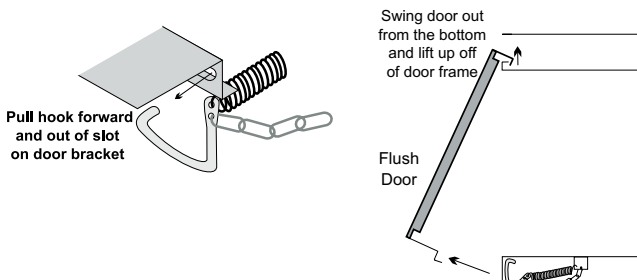
Side nailing strips can be adjusted from 1/2" to 2-5/8".

## CONVERSION TO TOP VENT

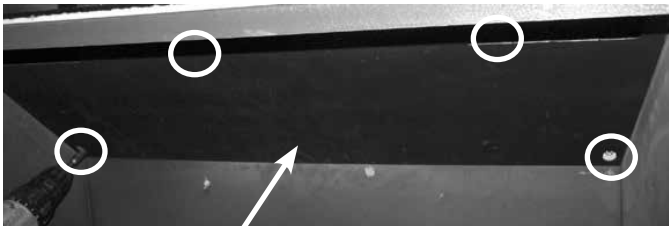
**Note: This conversion must be done prior to the unit being placed in position.**  
 The unit comes equipped as a rear vent unit. These instructions are to be used, only if the unit is going to be top vented.

Top Collar Assembly Kit Includes:	
1	Intake Collar Assembly with Gasket
1	Intake Cover Plate with Gasket
1	Top/Rear Exhaust Assembly with Gasket
1	Baffle Plate
29	1/4" x 1/2" Screws (4 spares)
1	Restrictor
1	Intake Collar Gasket (spare)
1	Exhaust Assembly Gasket (spare)
1	Insulation Plate Cover
1	Insulation Filling

- 1) Remove the door by releasing the spring hooks at the bottom and lifting the door up off the door frame.



- 2) From inside the firebox, remove the baffle plate by removing 4 screws - remove top front screw first.

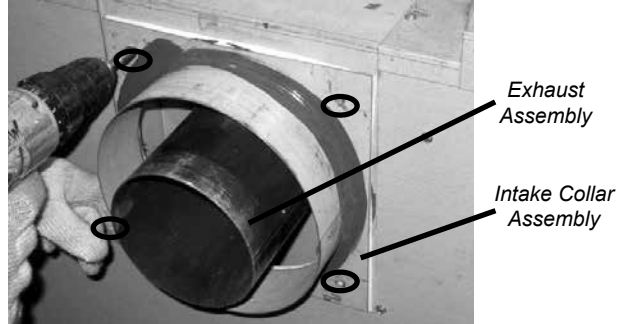


Baffle Plate

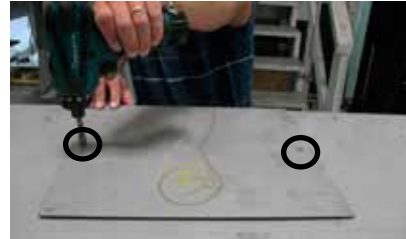
- 3) From the inside of the firebox, remove the exhaust assembly by removing the 10 screws.



- 4) From the outside rear of the firebox, remove the intake collar assembly. Remove the 4 - 1/4" x 1/2" screws.



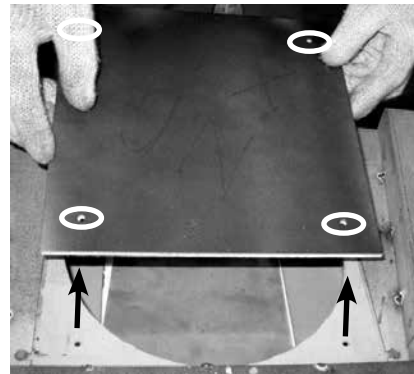
- 5) From the outside top of the firebox - remove top insulation cover plate - by removing 2 screws as shown and discard.



- 6) From the outside top of the firebox - slide the square piece of insulation out and discard.



- 7) From the outside top of the firebox - remove the intake cover plate by removing the 4 - 1/4" x 1/2" screws.



**Before proceeding to Step 8, inspect condition of all gaskets. DO NOT install parts with damaged gaskets. Replace if necessary with spare gaskets supplied.**

# 18 | installation

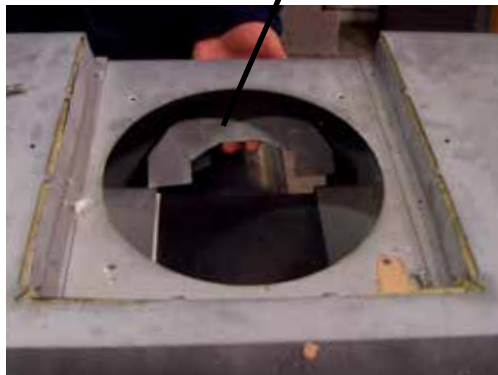
- 8) From the outside top of the firebox - completely remove the insulation under the cover plate as shown and discard.



- 9) From the outside back of the firebox - locate the insulation deflector and bend completely upwards flat against the back of firebox.

**IMPORTANT:** If the insulation deflector is not bent flat against the back of the firebox this will block air intake which will affect the unit's performance.

Insulation Deflector



View Front of Firebox

- 10) From the inside of the firebox, place the exhaust assembly into position as shown in Diagram 1 and secure with 10 - 1/4" x 1/2" screws (Diagram 2). Ensure all screws are tight, but do not over tighten. All 10 screws must be used.



Diagram 1

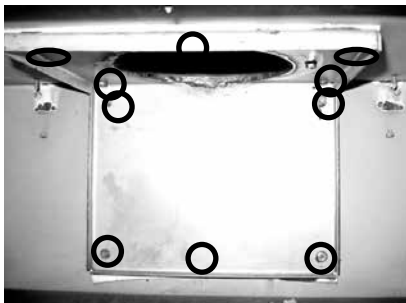


Diagram 2

- 11) From the outside top of the firebox, install the intake collar assembly. Secure with 4 - 1/4" x 1/2" screws. Ensure all screws are tight, but do not over tighten. All 4 screws must be used.



Exhaust Assembly

Intake Collar Assembly

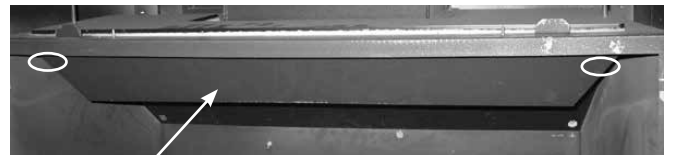
- 12) From the outside rear of the firebox, install the intake cover plate with 4 - 1/4" x 1/2" screws. Ensure all screws are tight, but do not over tighten. All 4 screws must be used.



- 13) Set vent restrictor accordingly - see next page.

- 14) From inside the firebox, re-install the baffle plate from step 2.

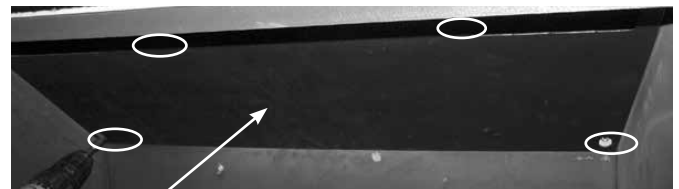
- 15) From inside the firebox, reinstall the top heat deflector by placing 2 screws.



Heat Deflector

Diagram 2

- 16) From inside the firebox, reinstall the baffle plate by placing 4 screws - replace top front screw first. Leave loose - until rear screws installed. See Diagram 3.



Baffle Plate

Diagram 3

**Note:** Reuse existing screw holes - do not make new holes. Tighten screws.

## VENTING INTRODUCTION

The B41XTE uses the "balanced flue" technology Co-Axial system. The inner liner vents products of combustion to the outside while the outer liner draws outside combustion air into the combustion chamber thereby eliminating the need to use heated room air for combustion and losing warm room air up the chimney.

**Note:** *These flue pipes must not be connected to any other appliance.*

The gas appliance and vent system must be vented directly to the outside of the building, and never be attached to a chimney serving a separate solid fuel or gas burning appliance. Each direct vent gas appliance must use its own separate vent system. Common vent systems are prohibited.

## VENT RESTRICTOR & BAFFLE INSTALLATION

**NOTE: THE VENT RESTRICTOR & BAFFLE MUST BE INSTALLED PRIOR TO OPTIONAL PANEL INSTALLATION.**

- 1) Determine the venting configuration.
- 2) Go to venting arrangements section to determine if a vent restrictor setting is required.
  - Note:** The vent restrictor does not apply to rear vent applications.
- 3) Remove baffle plate. See Diagram 3.
- 4) Align the vent restrictor plate to the required vent restrictor position as per diagram 1.
- 5) Once the vent restrictor plate is in the required position, secure with 2 - 1/4" x 1/2" screws. Ensure all screws are tight, but do not over tighten. (See diagram 2).

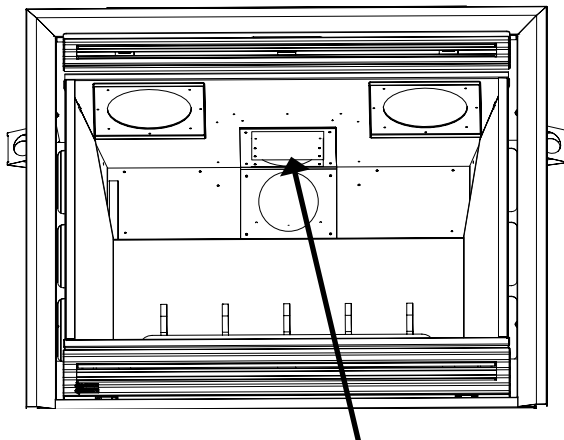
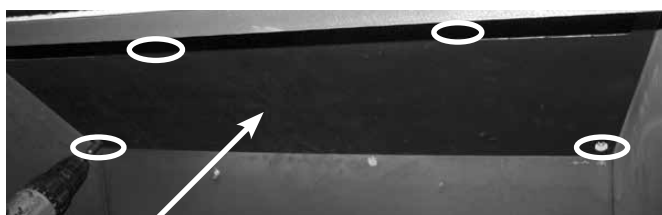


Diagram 2: Vent Restrictor installed on Top Exhaust Assembly

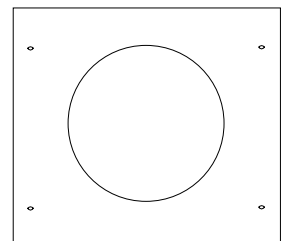
- 6) From **inside** the firebox, install the baffle plate with 4 - 1/4" x 1/2" screws. Ensure all screws are tightly secure, but do not over tighten.



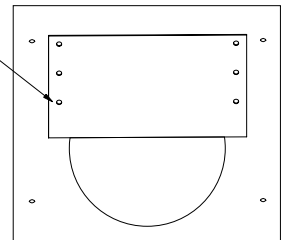
Baffle Plate

Diagram 3

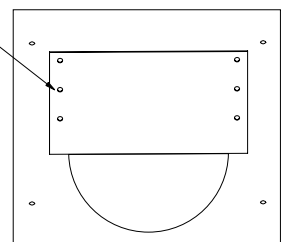
**NO VENT RESTRICTOR**  
*Factory setting*



**SET 1**  
THIS HOLE SETS THE  
VENT RESTRICTOR  
AT 3-1/2



**SET 2**  
THIS HOLE SETS THE  
VENT RESTRICTOR  
AT 2-1/2



**SET 3**  
THIS HOLE SETS THE  
VENT RESTRICTOR  
AT 1-1/2

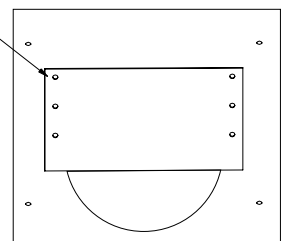
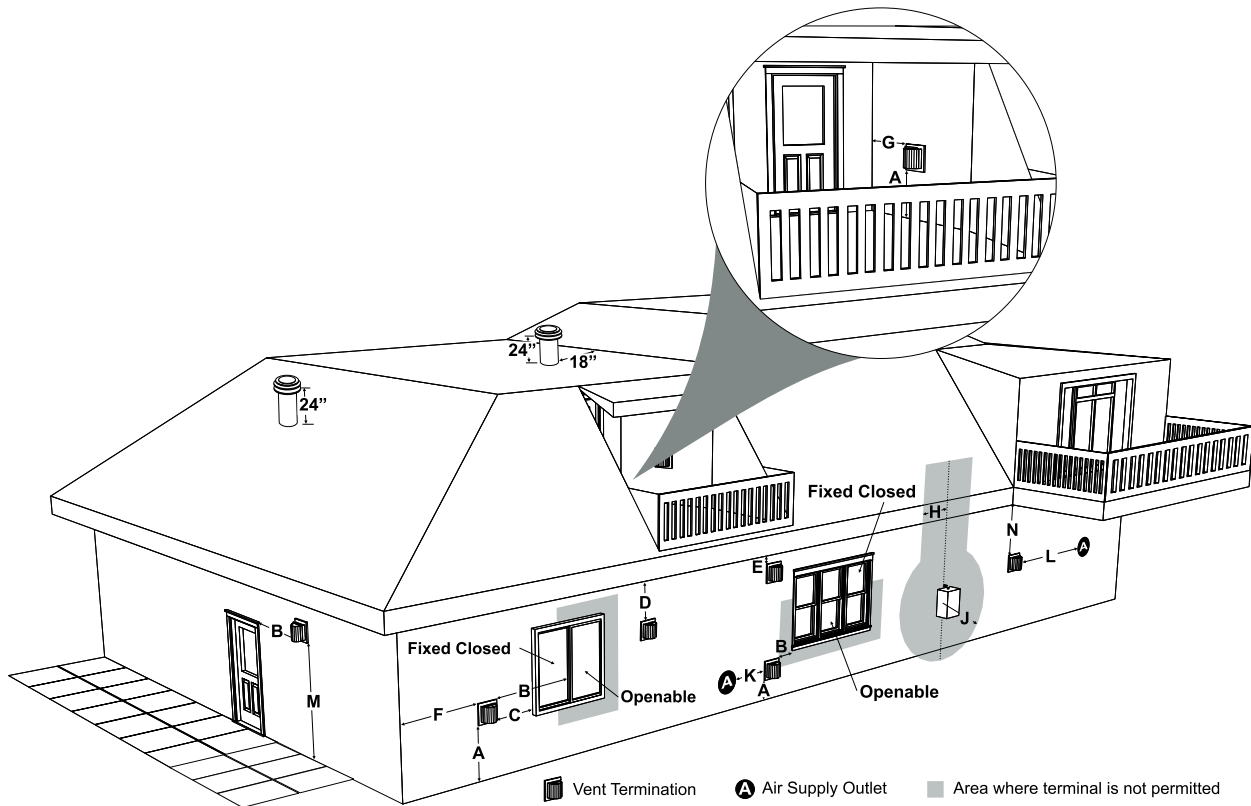


Diagram 1

EXTERIOR VENT TERMINATION REQUIREMENTS



	Minimum Clearance Requirements	Canada <sup>1</sup>	USA <sup>2</sup>
A	Clearance above grade, veranda, porch, deck, or balcony	12"(30cm)	12"(30cm)
B	Clearance to window or door that may be opened	12"(30cm)	9" (23cm)
C	Clearance to permanently closed window	*	*
D	Vertical clearance to ventilated soffit located above the terminal within a horizontal distance of 2 feet (61cm) from the center line of the terminal (check with the local code)	24"(60cm)	24"(60cm)
E	Clearance to unventilated soffit	19-1/2"(50cm)	20"(51cm)
F	Clearance to outside corner: with AstroCap XL Termination Cap.	13"(33cm)	13"(33cm)
	Clearance to outside corner: with all other approved Termination Caps.	13"(33cm)	13"(33cm)
G	Clearance to inside corner: with AstroCap XL Termination Cap	5-1/2"(14cm)	5-1/2"(14cm)
	Clearance to inside corner: with all other approved Termination Caps.	7"(18cm)	7"(18cm)
H	Clearance to each side of center line extended above meter/regulator assembly	36"(90cm) <sup>a</sup>	*
J	Clearance to service regulator vent outlet	36"(90cm)	*
K	Clearance to non-mechanical air supply inlet to building or the combustion air inlet to any other appliance	12"(30cm)	9" (23cm)
L	Clearance to a mechanical air supply inlet #3' (91cm) above if within 10' (3m) horizontally.	72"(1.8m)	36"(90cm) <sup>b</sup>
M	Clearance above paved sidewalk or a paved driveway located on public property	84"(2.1m) <sup>†</sup>	*
N	Clearance under veranda, porch, deck, or balcony	12"(30cm) <sup>‡</sup>	*

<sup>1</sup> In accordance with current CSA B149.1, *Natural Gas and Propane Installation Code*  
<sup>2</sup> In accordance with the current ANSI Z223.1/NFPA 54, *National Fuel Gas Code*  
<sup>†</sup> A vent shall not terminate directly above a sidewalk or paved driveway which is located between two single family dwellings and serves both dwellings  
<sup>‡</sup> Permitted only if veranda, porch, deck, or balcony is fully open on a minimum of two sides beneath the floor  
\* Clearance in accordance with local installation codes and the requirements of the gas supplier  
<sup>a</sup> 3 feet (91cm) within a height of 15 feet (4.5m) above the meter / regulator assembly  
<sup>b</sup> 3 feet (91cm) above - if within 10 feet (3m) horizontally



**5" X 8" RIGID PIPE  
CROSS REFERENCE CHART ONLY**

Components from different Manufacturers may not be mixed. Not all Rigid Pipe components are available directly from FPI.

Description	Simpson Direct Vent Pro®	Selkirk Direct Temp™	Metal-Fab™ Sure Seal	ICC Excel Direct
6" Pipe Length-Galvanized	58DVA-06	5DT-6	5D6	TC-5DL6
6" Pipe Length-Black	58DVA-06B	5DT-6B	5D6B	TC-5DL6B
9" Pipe Length-Galvanized	58DVA-09	5DT-9	N/A	N/A
9" Pipe Length-Black	58DVA-09B	5DT-9B	N/A	N/A
12" Pipe Length-Galvanized	58DVA-12	5DT-12	5D12	TC-5DL1
12" Pipe Length-Black	58DVA-12B	5DT-12B	5D12B	TC-5DL1B
18" Pipe Length-Galvanized	58DVA-18	5DT-18	5D18	TC-5DL18
18" Pipe Length-Black	58DVA-18B - N/A from FPI	5DT-18B	5D18B	TC-5DL18B
24" Pipe Length-Galvanized	58DVA-24	5DT-24	5D24	TC-5DL2
24" Pipe Length-Black	58DVA-24B	5DT-24B	5D24B	TC-4DL2B
36" Pipe Length-Galvanized	58DVA-36	5DT-36	5D36	TC-5DL3
36" Pipe Length-Black	58DVA-36B	5DT-36B	5D36B	TC-5DL3B
48" Pipe Length-Galvanized	58DVA-48	5DT-48	5D48	TC-5DL4
48" Pipe Length-Black	58DVA-48B	5DT-48B	5D48B	TC-5DL4B
60" Pipe Length-Galvanized	58DVA-60	N/A	N/A	N/A
60" Pipe Length-Black	58DVA-60B - N/A from FPI	N/A	N/A	N/A

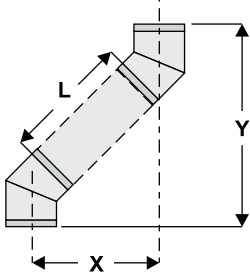
Adjustable Length 3"-10"-Galvanized	N/A	N/A	5DAL	TC-5DLT
Adjustable Length 3"-10"-Black	N/A	N/A	5DALB	TC-5DLTB
Adjustable Length 11"-14" -Galvanized	Disc. - See 58DV-08A	5DT-AJ	N/A	N/A
Adjustable Length 11"-14" -Black	Disc. - See 58DV-08B	5DT-AJB	N/A	N/A
Extension Pipe 17"-24" -Galvanized	Disc. - See 58DV-16A	N/A	N/A	N/A
Extension Pipe 17"-24" -Black	Disc. - See 58DV-16AB	N/A	N/A	N/A
Adjustable Length 8-1/2"-Galvanized	58DVA-08A - N/A from FPI	N/A	N/A	N/A
Adjustable Length 8-1/2"-Black	58DVA-08AB	N/A	N/A	N/A
Extension Pipe 16"-Galvanized	58DVA-16A - N/A from FPI	N/A	N/A	N/A
Extension Pipe 16"-Black	46DVA-16AB	N/A	N/A	N/A

45° Elbow-Galvanized	58DVA-E45	5DT-EL45	5DT-EL45	TE-5DE45
45° Elbow-Black	58DVA-E45B	5DT-EL45B	5DT-EL45B	TE-5DE45B
45° Elbow Swivel-Galvanized	Disc. - See 58DVA-E45	N/A	N/A	N/A
45° Elbow Swivel-Black	Disc.-See 58DVA-E45B	N/A	N/A	N/A
90° Elbow-Galvanized	58DVA-E90	5DT-EL90S	5DT-EL90S	TE-5DE90
90° Elbow-Black	58DVA-E90B	5DT-EL90SB	5DT-EL90SB	TE-5DE90B
90° Elbow, Swivel-Galvanized	Disc. - See 46DVA-E45	N/A	N/A	N/A
90° Elbow, Swivel-Black	Disc. - See 46DVA-E45	N/A	N/A	N/A
90° Starter Elbow, Swivel-Galvanized	N/A	N/A	N/A	N/A
Adaptor*	N/A	N/A	N/A	N/A

Ceiling Support	58DVA-DC	5DT-CS	5DSP	TE-5DE45
Cathedral Support Box	58DVA-CS	5DT-CSS	5DRS	TE-5DE45B
Wall Support/Band	58DVA-WS	5DT-WS/B	5DWS	N/A
Offset Support	58DVA-ES - N/A from FPI	5DT-OS	N/A	N/A
Wall Thimble-Black	58DVA-WT	5DT-WT	5DWT	TE-5DE90
Wall Thimble Support/Ceiling Support	58DVA-DC - N/A from FPI	N/A	N/A	TE-5DE90B
Firestop Spacer	58DVA-FS	5DT-FS	5DFS	N/A
Trim Plate-Black	58DAV-WFS	5DT-TP	5DCP	N/A

Description	Simpson Direct Vent Pro®	Selkirk Direct Temp™	Metal-Fab™ Sure Seal	ICC Excel Direct
Attic Insulation Shield 12"	58DVA-IS N/A from FPI	N/A	N/A	N/A
Basic Horizontal Termination Kit (A)	N/A	5DT-HKA	N/A	N/A
Horizontal Termination Kit (B)	58DVA-KHA	5DT-HKB	N/A	N/A
Vertical Termination Kit	58DVA-VHA	5DT-VKC	N/A	N/A
High Wind Vertical Cap	58DVA-VCH	N/A	N/A	TM-5VT
High Wind Horizontal Cap	N/A	N/A	N/A	TM-5DHT
Horizontal Square Termination Cap	N/A	5DT-HHC	5DHT	TM-5HT
Vertical Termination Cap	N/A	5DT-HVC	5DVT	TM-5VT
Storm Collar	58DVA-SC	5DT-SC	5DSC	TM-SC
Adjustable Flashing 0/12-6/12	58DVA-F6	5DT-AF6	5DF	TF-5FA
Adjustable Flashing 6/12-12/12	58DVA-F12	5DT-AF12	5DF1-2	TF-5FB
Vinyl Siding Standoff	58DVA-VSS	5DT-VS	5DVS	TM-VSS
Vinyl Siding Shield Plate	N/A	5DT-VSP	N/A	N/A
Snorkel Termination 14"	58DVA-SNK14	N/A	N/A	TM-5ST14
Snorkel Termination 36"	58DVA-SNK36 (N/A - FPI)	N/A	N/A	TM-5ST36
Restrictor Disk	58DVA-RD	N/A	N/A	TM-5DS
Colinear Flex Connectors	N/A	N/A	N/A	N/A
<b>FPI</b>				
946-604/P	Simpson Direct Vent -Vent Guard (Optional)	946-623/P	AstroCap XL Horizontal Cap	
770-994	Rigid Pipe Adaptor (Must use with all rigid piping)	946-506/P	Vent Guard (Optional)	
946-606	Starter collar reducer 5" x 8" to 4" x 6-5/8"	946-625	Vinyl Siding Standoff - AstroCap XL	

**Note:** When using Metal-Fab Sure Seal Rigid Piping - please note that the Adaptor (4DDA) must be used in conjunction with FPI Rigid Pipe Adaptor (510-994).

5" x 8" Venting				For specific instructions on venting components - visit the manufacturers website listed below. Simpson Direct Vent Pro: <a href="http://www.duravent.com">www.duravent.com</a> Selkirk Direct-Temp: <a href="http://www.selkirkcorp.com">www.selkirkcorp.com</a> Metal-Fab Sure Seal: <a href="http://www.mtlfab.com">www.mtlfab.com</a> Industrial Chimney Company: <a href="http://www.icc-rsf.com">www.icc-rsf.com</a>
Pipe Length (L)	Run (X)	Rise (Y)		
0" (0mm)	5-11/16" (144mm)	15-5/16" (389mm)	<b>Note:</b> Horizontal runs of vent must be level, or have a 1/4" rise for every 1 foot of run towards the termination. Never allow the vent to run downward - this could cause high temperatures and may present a possible fire hazard.	
6" (152mm)	8-13/16" (224mm)	18-7/16" (468mm)		
9" (229mm)	10-15/16" (278mm)	20-9/16" (522mm)		
12" (305mm)	13" (330mm)	22-11/16" (576mm)		
24" (610mm)	21-7/16" (697mm)	31-1/16" (789mm)		
36" (914mm)	29-13/16" (757mm)	39-7/16" (1002mm)		
48" (1219mm)	38-1/4" (972mm)	47-7/8" (1216mm)		

## VENTING ARRANGEMENTS FOR HORIZONTAL TERMINATIONS

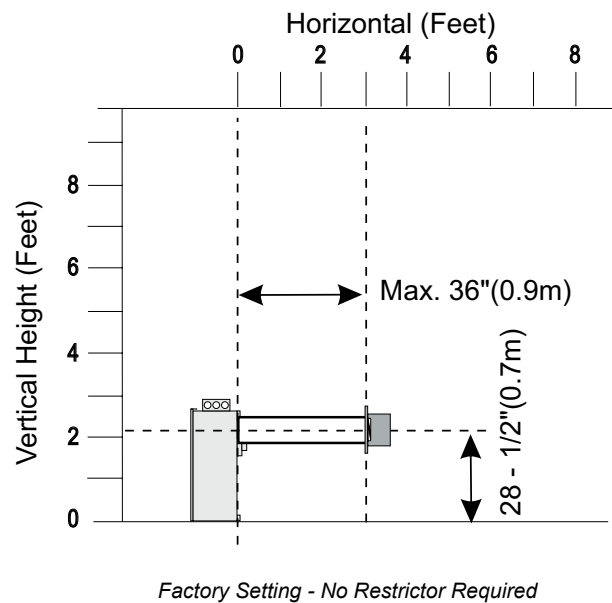
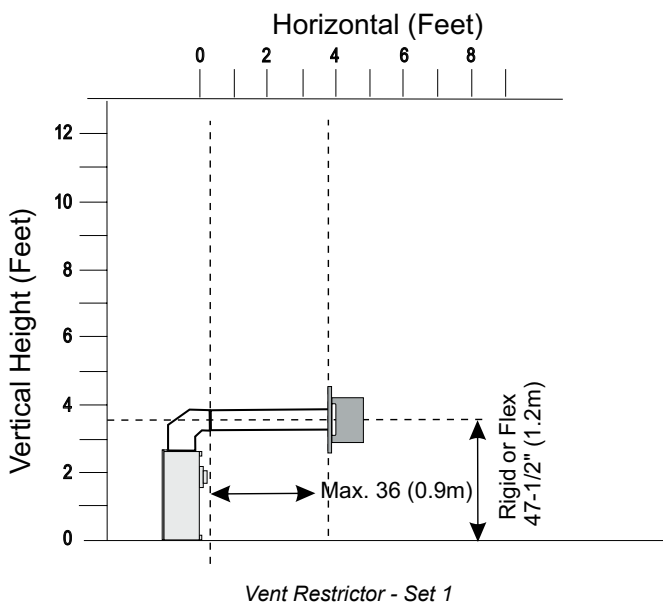
### FLEX VENT OR RIGID PIPE 5" X 8"

The diagrams show all allowable combinations of vent runs with 5" x 8" venting using the Regency direct vent system or rigid vent system. A vent guard should be used whenever the termination is lower than the specified minimum or as per local codes.

For horizontal terminations the Regency Direct Vent Flex System may be used for installations upto a maximum continuous vent length of 10ft (3.0m).

**Note:** Must use optional rigid pipe adaptor (Part # 770-994) when using Rigid Pipe vent systems.

- Maintain clearance to combustibles.
- Horizontal vent must be supported every 3 feet.
- Firestops are required at each floor level and whenever passing through a wall.



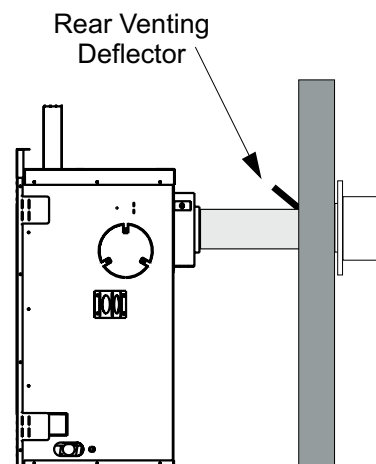
**IMPORTANT**  
Must use Rear Venting Deflector packaged with unit in rear vent horizontal termination applications.

## REAR VENTING DEFLECTOR INSTALLATION FOR REAR VENTED HORIZONTAL TERMINATIONS

The Rear Vent Deflector comes with the unit. When the unit is shipped the deflector is slightly tucked underneath the top nailing strips located at the top of the firebox.

**NOTE:** The Rear Venting Deflector must be installed before the unit is put in place.

- 1) Secure the rear venting deflector to the wall thimble using 2 screws as shown. Ensure to use the same screw holes as the wall thimble.



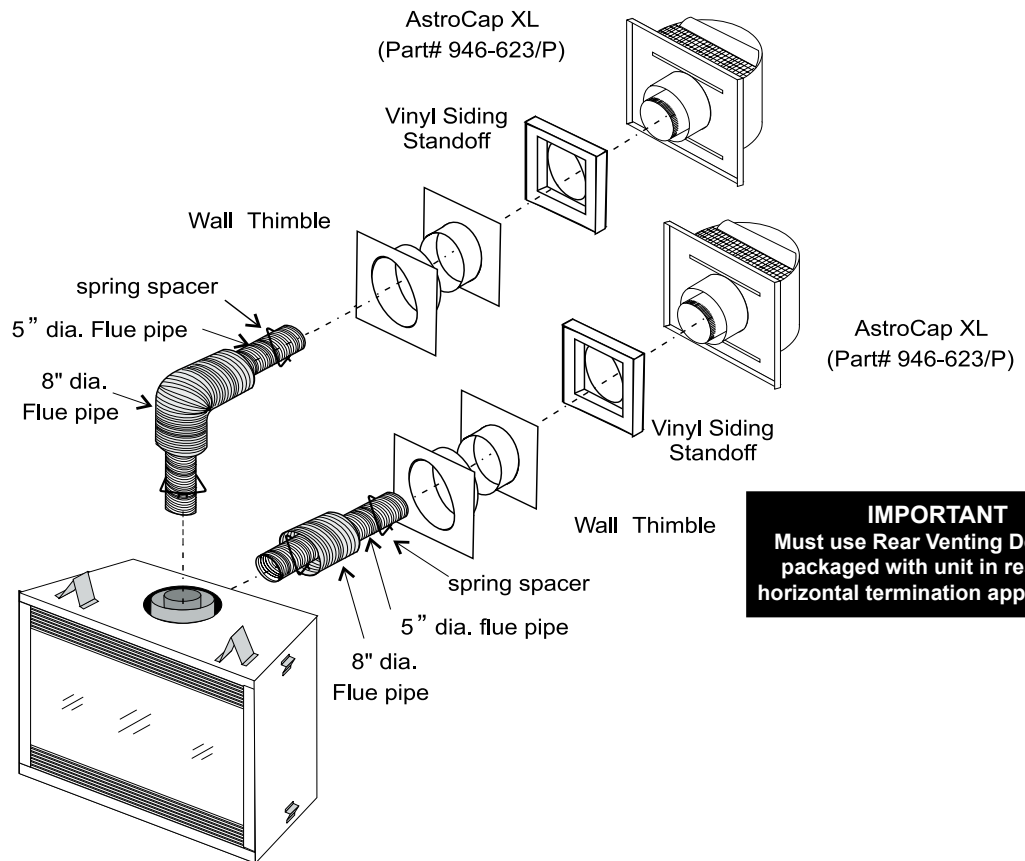
## HORIZONTAL TERMINATIONS

### FLEX VENT 5" X 8"

These venting systems, in combination with the B41XTE Direct Vent Gas Fireplace, has been tested and listed as a direct vent heater system by Warnock Hersey. The location of the termination cap must conform to the requirements in the Vent Terminal Locations diagram in "Exterior Vent Termination Locations" section.

Regency® Direct Vent (Flex) System 4 foot Termination Kit (Part# 946-615), 6 foot Termination Kit (Part# 946-618) or 10 foot Termination Kit (Part# 946-616) includes all the parts needed to install the B41XTE with a either a top or rear vent.

FPI Kit #	Length	Contains:
#946-615	4 Feet	1) 8" flexible liner (Kit length) 2) 5" flexible liner (Kit length) 3) spring spacers
#946-618	6 Feet	4) thimble 5) <b>AstroCap XL</b> termination cap 6) screws
#946-616	10 Feet	7) tube of Mill Pac 8) plated screws 9) S.S. screws #8 x 1-1/2" drill point 10) vinyl siding standoff



**IMPORTANT**  
Must use Rear Venting Deflector packaged with unit in rear vent horizontal termination applications.

**Notes:**

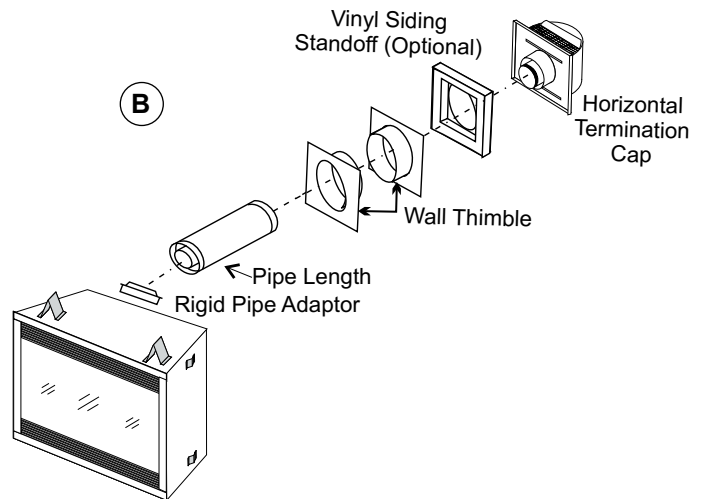
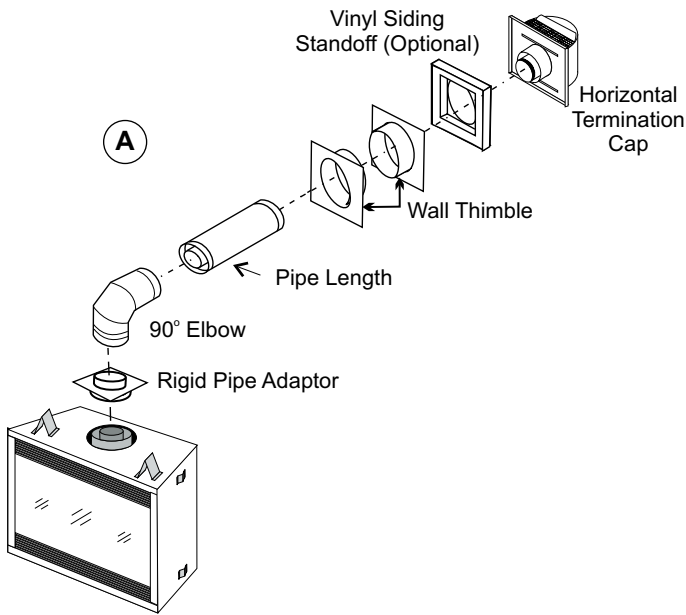
- 1) Liner sections should be continuous without any joints or seams.
- 2) Only Flex pipe purchased from Regency may be used for Flex installations.
- 3) Regency® Direct Vent System (Flex) is only approved for horizontal terminations.

**NOTE:** If longer runs are required the FPI Direct Vent system (Flex) #946-616 includes all parts needed to install the B41XTE with a maximum 10' run.

## HORIZONTAL TERMINATIONS

### RIGID PIPE 5" X 8"

Horizontal Termination	
A	<b>Top Vent - No Vertical Rise</b> <ul style="list-style-type: none"> <li>• When venting with a 90° elbow directly off the unit Flex vent or approved Rigid Vent System</li> <li>• Max. 3 ft. horizontal run</li> </ul>
B	<b>Rear Vent w/ Horizontal Termination</b> <ul style="list-style-type: none"> <li>• Max. 3ft. horizontal run</li> </ul>



**IMPORTANT**  
 Must use Rear Venting Deflector packaged with unit in rear vent horizontal termination applications.

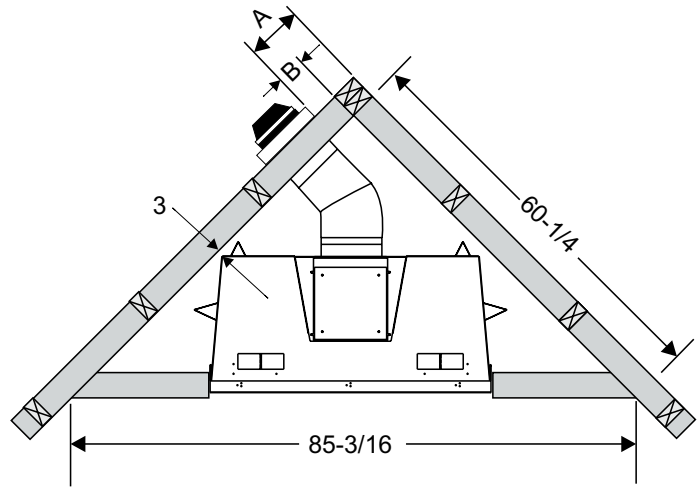
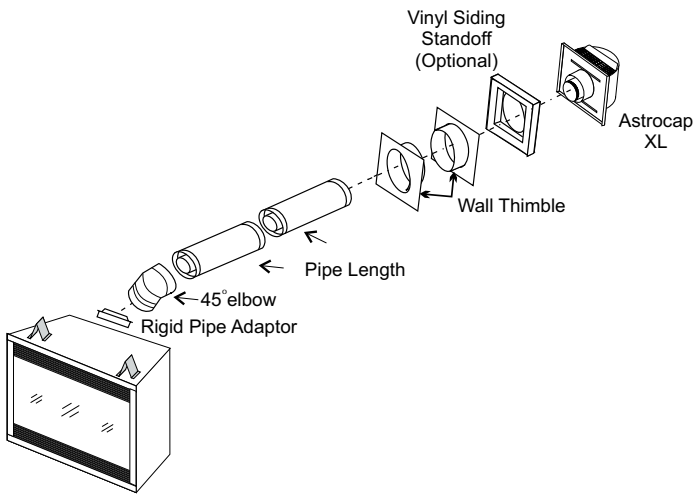
## HORIZONTAL TERMINATIONS

### ASTROCAP XL & RIGID REAR VENT KIT FOR CORNER INSTALLATIONS RIGID PIPE 5" X 8"

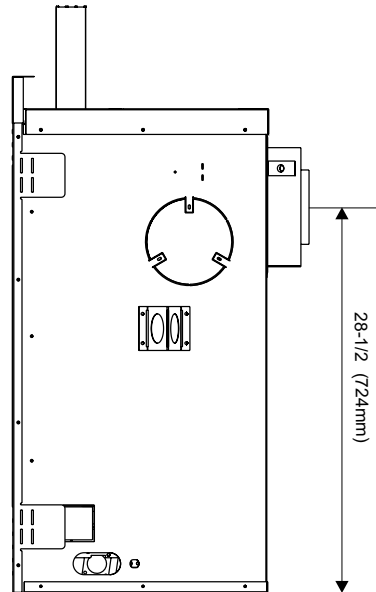
Designed for a minimum vent configuration when using a rear vent application with a horizontal termination in a corner installation.

Kit# 946-612 Includes:		
1	AstroCap XL	946-623/P
1	Rigid Pipe Adaptor	770-994
1	Vinyl Siding Standoff (Optional)	946-625
1	Wall Thimble	58DVA-WT
1	6" Galvanized Rigid Pipe	58DVA-06
1	8-1/2" Galvanized Pipe Extension	58DVA-08A
1	45° Galvanized Elbow	58DVA-E45
1	90ml MillPac	948-128

Placement of the Unit into the Corner	
Back Top Corner of Unit to Wall	3"
Inside Corner out along the Wall	60-1/4"
Across the Face of the Unit, Wall to Wall	85-3/16"
A - Clearance to Outside Corner	13"
B - Clearance to Inside Corner	5-1/2"



**IMPORTANT**  
Must use Rear Venting Deflector packaged with unit in rear vent horizontal termination applications.

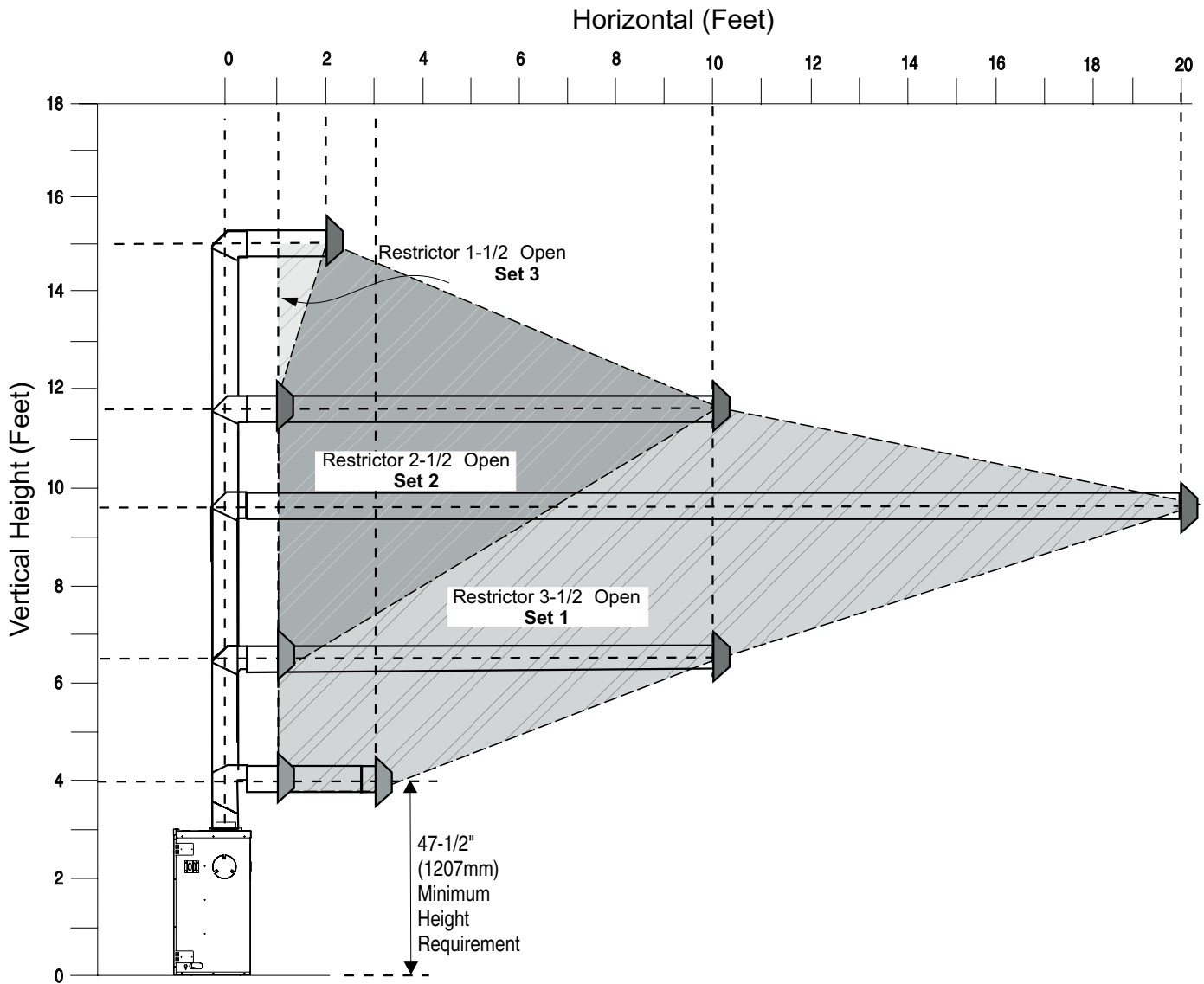




## VENTING ARRANGEMENTS FOR HORIZONTAL TERMINATIONS

The diagram shows all allowable combinations of vertical runs with horizontal terminations, using one 90° (two 45° elbows equal one 90° elbow).

- Maintain clearances to combustibles as listed in "Clearances" section
- Horizontal vent must be supported every 3 feet.
- Firestops are required at each floor level and whenever passing through a wall.
- A wall thimble is mandatory for all horizontal terminations due to high temperatures.



## RIGID PIPE VENTING SYSTEMS

### BASIC HORIZONTAL & VERTICAL TERMINATIONS

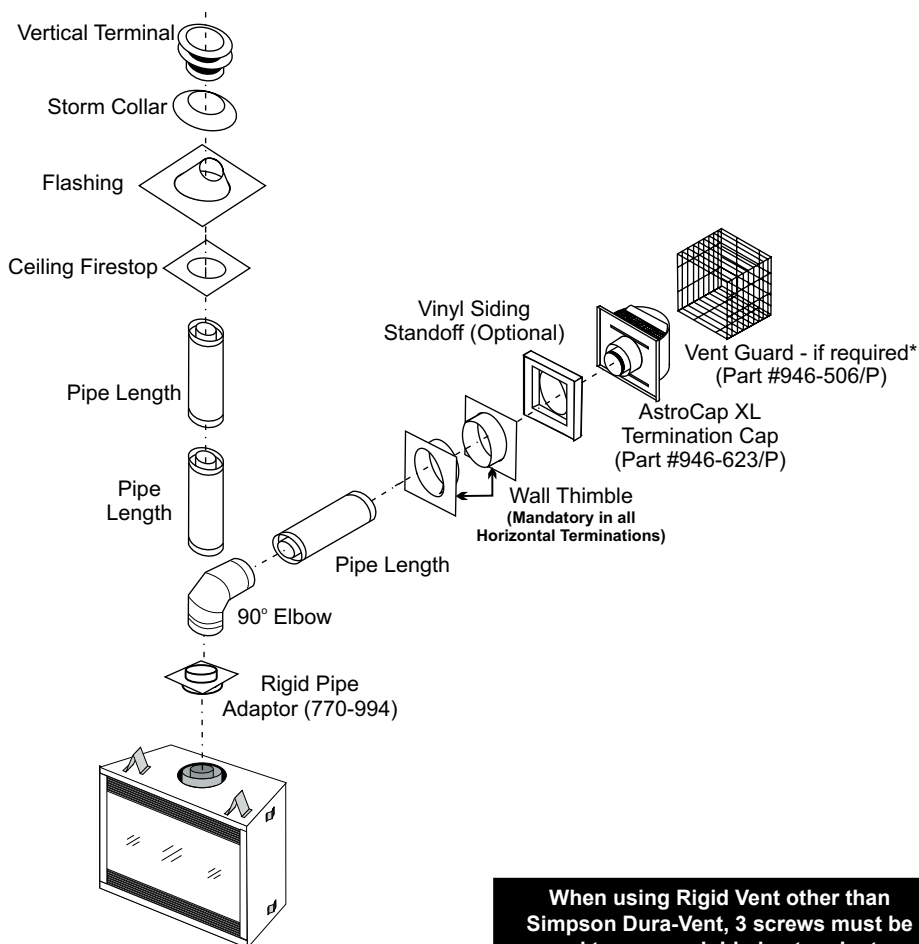
Rigid Pipe Vent Systems offer a complete line of component parts for installation of both horizontal and vertical installations. Many items are offered in decorative black, as well as galvanized finish.

**The minimum components required for a basic Horizontal Termination are:**

- 1 AstroCap XL Termination Cap
- 1 90° Elbow
- 1 Rigid Pipe Adaptor
- 1 Wall Thimble
- 1 Length of rigid pipe to suit wall thickness

**The minimum components required for a basic Vertical Termination are:**

- 1 Vertical Termination Cap
- 1 Rigid Pipe Adaptor
- 1 Lengths of pipe to adequately penetrate roof
- 1 Ceiling Firestop
- 1 Flashing
- 1 Storm Collar



Wall thickness is measured from the back standoffs to the inside mounting surface of termination cap. For siding other than vinyl, furring strips may be used, instead of a vinyl siding standoff, to create a level surface to mount the vent terminal. The Terminal must not be recessed into siding. Measure the wall thickness including furring strips.

If a Vinyl Siding Standoff is required (it must be used with vinyl siding), measure to outside surface of wall without siding and add 2 inches.

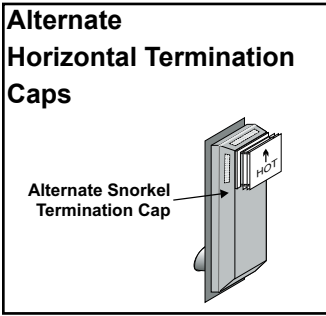
**When using Rigid Vent other than Simpson Dura-Vent, 3 screws must be used to secure rigid pipe to adaptor.**

**WARNING:**

Do not combine venting components from different venting systems.

Exception: However, use of the the AstroCap XL™ is acceptable with all systems.

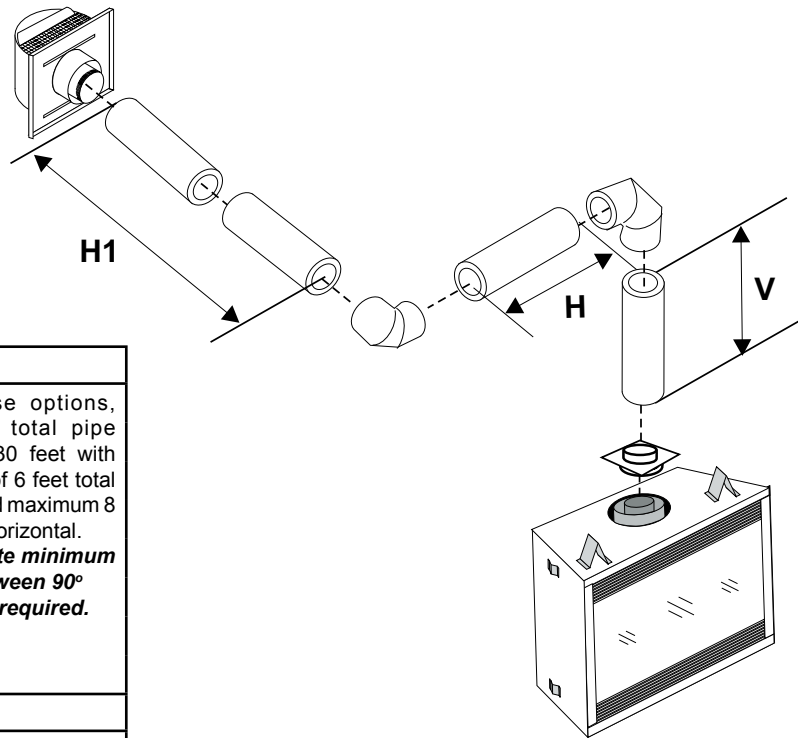
This product has been evaluated by Intertek for using a Rigid Pipe Adaptor in conjunction with Simpson DV Pro, Metal-Fab Sure-Seal, ICC Excel and Selkirk Direct-Temp systems. Use of these systems with the Rigid Pipe adaptor is deemed acceptable and does not affect the Warnock Hersey/Intertek listing of components.



The FPI AstroCap XL™ is certified for installations using FPI venting systems as well as Simpson Dura-Vent® Direct Vent Pro, ICC Excel and Selkirk Direct-Temp. AstroCap XL™ is a proprietary trademark of FPI Fireplace Products International Ltd. Dura-Vent® and Direct Vent are registered and/or proprietary trademarks of Simpson Dura-Vent Co. Inc.

## HORIZONTAL TERMINATIONS

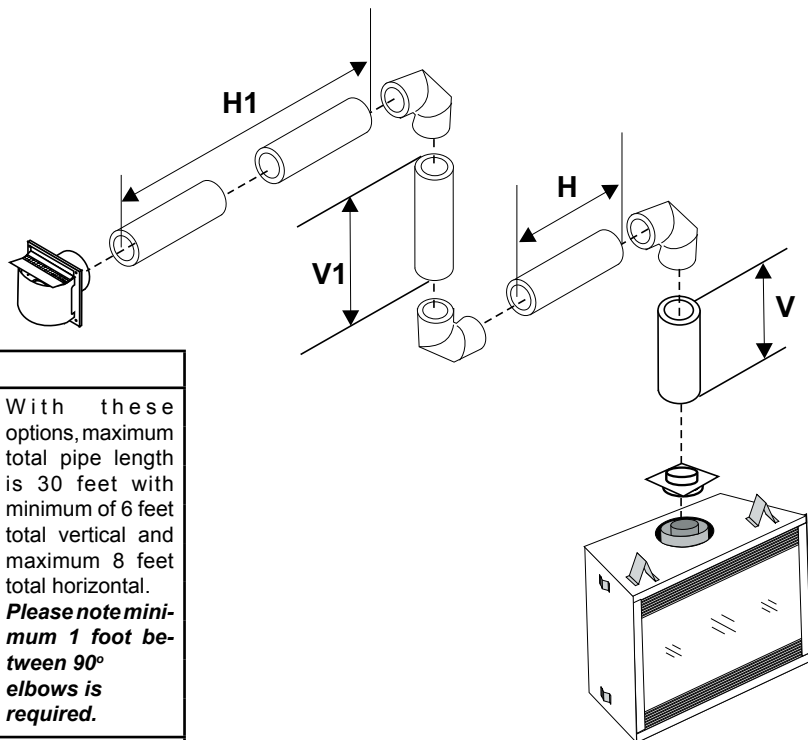
TWO (2) 90° ELBOWS (RIGID PIPE 5" X 8")



One 90° elbow = Two 45° elbows.			
Option	V	H + H1	With these options, maximum total pipe length is 30 feet with minimum of 6 feet total vertical and maximum 8 feet total horizontal. <b>Please note minimum 1 foot between 90° elbows is required.</b>
A)	0' Min.	2' Max.	
B)	1' Min.	3' Max.	
C)	2' Min.	4' Max.	
D)	3' Min.	5' Max.	
E)	4' Min.	6' Max.	
F)	5' Min.	7' Max.	
G)	6' Min.	8' Max.	
<b>No Vent Restrictor Installed</b>			
Lengths do not include elbow indicated.			
Must use rigid pipe adaptor #770-994.			

## HORIZONTAL TERMINATIONS

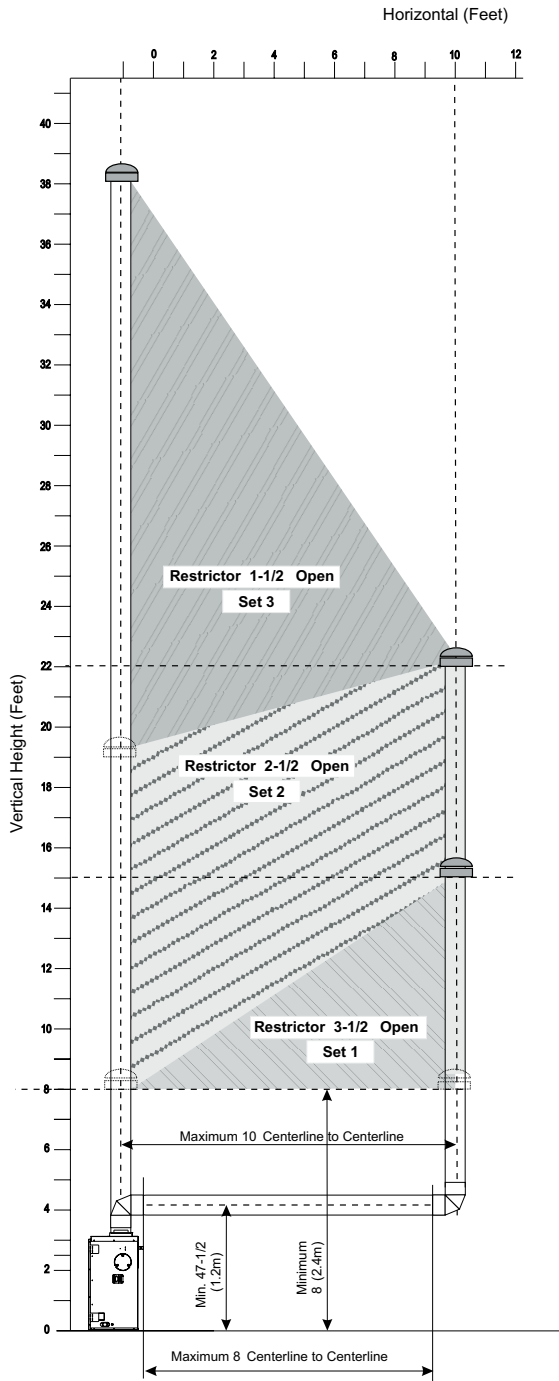
THREE (3) 90° ELBOWS (RIGID PIPE 5" X 8")



One 90° elbow = Two 45° elbows.					
Option	V	H	V + V1	H + H1	With these options, maximum total pipe length is 30 feet with minimum of 6 feet total vertical and maximum 8 feet total horizontal. <b>Please note minimum 1 foot between 90° elbows is required.</b>
A)	0' Min.	1' Max.	1' Min.	2' Max.	
B)	1' Min.	2' Max.	3' Min.	3' Max.	
C)	2' Min.	2' Max.	5' Min.	4' Max.	
D)	3' Min.	2' Max.	7' Min.	5' Max.	
E)	4' Min.	3' Max.	9' Min.	6' Max.	
F)	5' Min.	4' Max.	10' Min.	7' Max.	
G)	6' Min.	5' Max.	11' Min.	8' Max.	
H)	7' Min.	6' Max.	12' Min.	9' Max.	
<b>No Vent Restrictor Installed</b>					
Lengths do not include elbow indicated.					
Must use rigid pipe adaptor #770-994.					

## VENTING ARRANGEMENTS FOR VERTICAL TERMINATIONS

The shaded area in the diagram shows all allowable combinations of straight vertical and offset to vertical terminations, using two 90° elbows, with **Rigid Pipe Venting Systems** for Propane and Natural Gas. Two 45° elbows equal to one 90° elbow. Maximum of four 45° elbows allowed.



- Vent must be supported at offsets.
- Firestops are required at each floor level and whenever passing through a wall.
- Maintain clearances to combustibles as listed in the "Clearances" section.
- Refer to the "Vent Restrictor Position" section for details on how to change the vent restrictor from the factory setting to 3-1/2" opening, 2-1/2" opening and to 1-1/2" opening.

**Note:** Must use optional flue adapter when using Rigid Pipe (Part # 770-994).

## VERTICAL TERMINATIONS

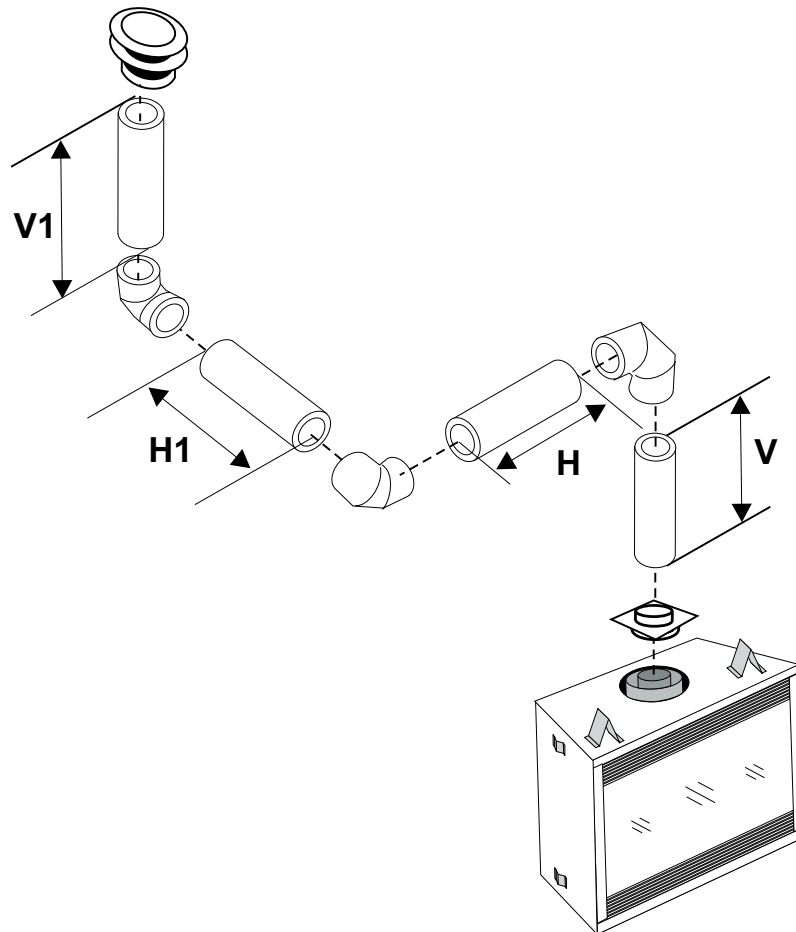
### THREE (3) 90° ELBOWS (RIGID PIPE 5" X 8")

<i>One 90° elbow = Two 45° elbows.</i>			
Option	V	V + V1	H + H1
A)	0' Min.	2' Min.	2' Max.
B)	1' Min.	3' Min.	2' Max.
C)	2' Min.	4' Min.	3' Max.
D)	3' Min.	6' Min.	4' Max.
E)	4' Min.	7' Min.	5' Max.
F)	5' Min.	8' Min.	6' Max.
G)	6' Min.	9' Min.	7' Max.
H)	7' Min.	10' Min.	8' Max.

With these options, maximum total pipe length is 30 feet with minimum of 6 feet total vertical and maximum 8 feet total horizontal.

*Please note minimum 1 foot between 90° elbows is required.*

**No Vent Restrictor Installed**  
 Lengths do not include elbow indicated.  
 Must use rigid pipe adaptor #770-994



## UNIT INSTALLATION WITH HORIZONTAL TERMINATION

### 5" X 8" VENTING (Rigid Vent Systems)

#### Minimum Vent Clearances to Combustibles

\* Clearances noted below must be maintained; except when passing through a wall, ceiling or at the termination where the use of a firestop or wall thimble reduces clearance to 1-1/2" (38mm).

Horizontal Top*	3" (76mm)*
Horizontal Side	2" (51mm)
Horizontal Bottom	2" (51mm)
Vertical Vent	2" (51mm)

Below are the recommended framing dimensions (inside measurements) for the 5" x 8" rigid vent terminations - for use with a firestop or wall thimble.

Install the vent system according to the manufacturer's instructions included with the components.

- 1) Set the unit in its desired location. Check to determine if wall studs or roof rafters are in the way when the venting system is attached. If this is the case, you may want to adjust the location of the unit. Rough in the gas preferably on the right side of the unit and the electrical (junction block is on the left side) on the left.
- 2) Direct Vent pipe and fittings are designed with special twist-lock connections to connect the venting system to the appliance flue outlet. A twist-lock appliance adaptor is required.
- 3) In conjunction with the Approved Vent system, install the adaptor after the unit is set in its desired location. Slip the adaptor over the existing inner and outer flue collar. Fasten to the outer collar only with the 3 supplied screws (drilling pilot holes will make this easier).
- 4) Level the fireplace and fasten it to the framing using nails or screws through the top and side nailing strips.

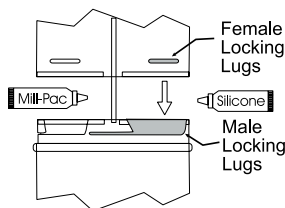


Diagram 1

- 5) Assemble the desired combination of pipe and elbows to the appliance adaptor and twist-lock for a solid connection.

**Note:** For best results and optimum performance with each approved venting system, it is highly recommended to apply "Mill-Pac" sealant (supplied) to every inner pipe connection. Failure to do so may result in drafting or performance issues not covered under warranty.

**Horizontal runs of vent must be supported every 3 feet (0.9meter). Wall straps are available for this purpose.**

- 6) Mark the wall for a square hole.-see chart to left for size. The center of the square hole should line up with the center-line of the horizontal pipe. Cut and frame the square hole in the exterior wall where the vent will be terminated. See diagram 2 for center line requirements.

If the wall being penetrated is constructed of non-combustible material, i.e. masonry block or concrete, an 8" (203mm) diameter hole is acceptable.

**Note:**

- a) The horizontal run of vent must be level, or have a 1/4 inch rise for every 1 foot of run towards the termination. Never allow the vent to run downward. This could cause high temperatures and may present the possibility of a fire.
- b) The location of the horizontal vent termination on an exterior wall must meet all local and national building codes, and must not be blocked or obstructed. See "Exterior Vent Termination Locations" section for more details.

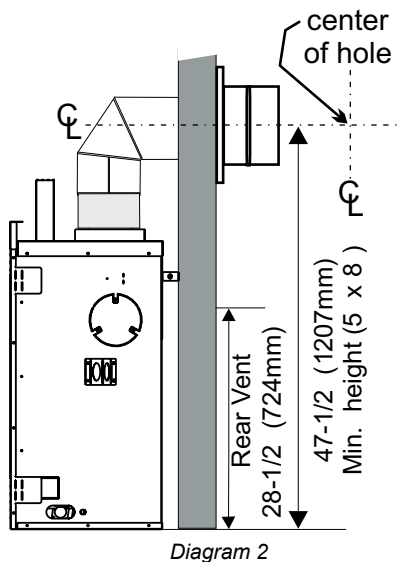


Diagram 2

**IMPORTANT**  
Must use Rear Venting Deflector packaged with unit in rear vent horizontal termination applications.

- 7) Ensure that the pipe clearances to combustible materials are maintained (Diagram 5). Install the termination cap.

**Note:** If installing termination on a vinyl siding covered wall, a vinyl siding standoff or furring strips must be used to ensure that the termination is not recessed into the siding.

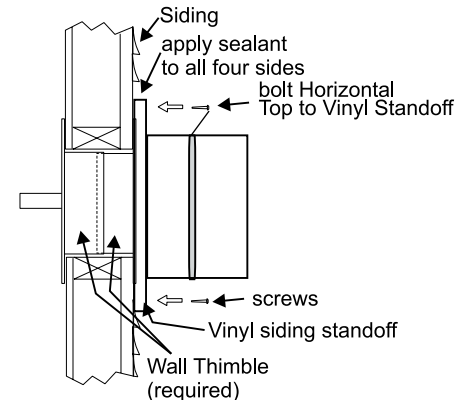


Diagram 5

The four wood screws provided should be replaced with appropriate fasteners for stucco, brick, concrete, or other types of sidings.

- 8) Before connecting the horizontal run of vent pipe to the vent termination, slide the Wall Thimble over the vent pipe. The wall thimble is required for all horizontal terminations.
- 9) Slide the appliance and vent assembly towards the wall carefully inserting the vent pipe into the vent cap assembly. It is important that the vent pipe extends into the vent cap sufficient distance so as to result in a minimum pipe overlap of 1-1/4 inches (32mm). Secure the connection between the vent pipe and the vent cap.
- 10) Install wall thimble in the center of the framed hole and attach with wood screws (Diagram 7).

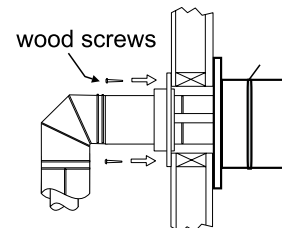


Diagram 7

## UNIT INSTALLATION WITH HORIZONTAL TERMINATION

### 5" X 8" VENTING (Flex Vent Systems)

#### Minimum Vent Clearances to Combustibles

\* Clearances noted below must be maintained; except when passing through a wall, ceiling or at the termination where the use of a firestop or wall thimble reduces clearance to 1-1/2" (38mm).

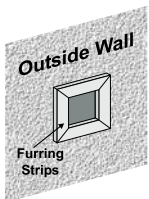
Horizontal Top	3" (76mm)
Horizontal Side	2" (51mm)
Horizontal Bottom	2" (51mm)
Vertical Vent	2" (51mm)

Below are the recommended framing dimensions (inside measurements) for the 5" x 8" rigid vent terminations - for use with a firestop or wall thimble.

Recommended Framed Opening Size	
Vent Size	Framing Size
5" x 8"	11" x 11"

- 1) Locate the unit in the framing, rough in the gas (preferably on the right side of the unit). Locate the centerline of the termination and mark wall accordingly. Cut an square hole in the wall - see chart (inside dimension).

**Note:** If installing termination on a siding covered wall, a vinyl siding standoff or vinyl furring strips must be used to ensure that the termination is not recessed into the siding.



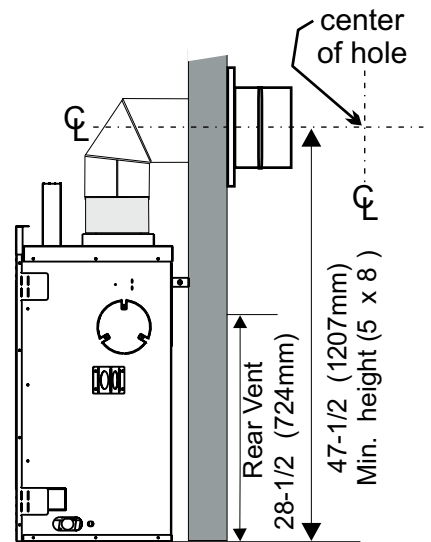
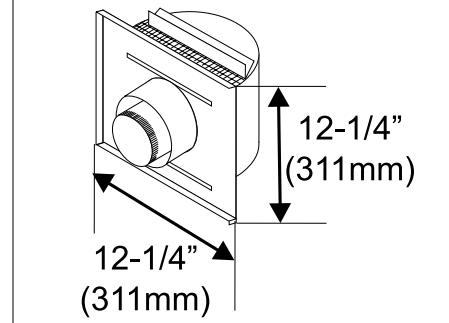
- 2) Level the fireplace and fasten it to the framing using nails or screws through the nailing strips.
- 3) Assemble the vent assembly by applying Mill Pac to the inner flue collar of the termination and slipping the inner flex liner over it at least 1-3/8" (35mm). Fasten with the 3 screws (drilling pilot holes will make this easier). Apply Mill Pac or high temperature silicone to the outer flex pipe and slip it over the outer flue collar of the vent terminal at least 1-3/8"(35mm) and fasten with the 3 screws.

**NOTE:** Horizontal sections must be supported at intervals not exceeding 3 feet (0.9 meter). (Flame picture and performance will be affected by sags in the liner).

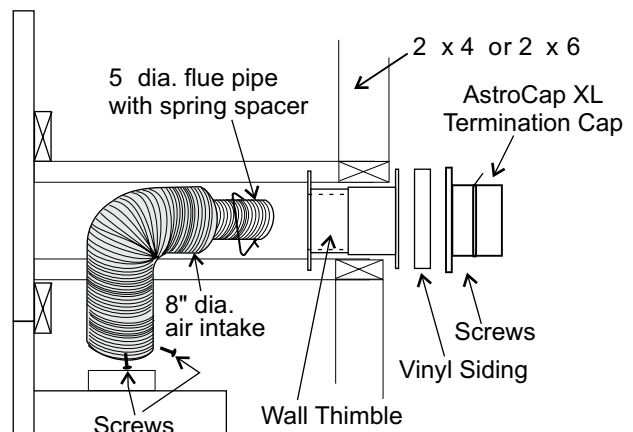
- 4) Separate the 2 halves of the wall thimble and securely fasten the one with the tabs to the outside wall making sure that the tabs are on top and bottom. Fasten the other thimble half to the inside wall. The thimble halves slip inside each other and can be adjusted for 2 x 4 or 2 x 6 walls.
- 5) Slip the assembled liner and termination assembly through the thimble making sure the termination cap faces up (there are markings on the cap that show which ways up). This will position the termination cap with proper down slope for draining water. Fasten the cap to the outer wall with the 4 supplied screws.
- 6) Pull the centre inner and outer flex liner out enough to slip over the flue collars of the fireplace. (You may wish to cut the liner shorter to make it more workable.) Do not bend liner more than 90°. **The liners must slip over the collars a minimum of 1-3/8".**
- 7) Apply Mill Pac over the fireplace inner flue collar and slip the inner flex liner down over it and attach with 3 supplied screws.
- 8) Do the same with the outer flue collar and outer flex liner.
- 9) Apply a bead of silicone between the thimble and termination and around the outer edge of the terminal at the wall in order to keep the water out.

**IMPORTANT:** Do not locate termination hood where excessive snow or ice buildup may occur. Be sure to check vent termination area after snow falls, and clear to prevent accidental blockage of venting system. When using snow blowers, make sure snow is not directed towards vent termination area.

#### ASTROCAP XL DIMENSIONS (946-623/P)



**IMPORTANT**  
Must use Rear Venting Deflector packaged with unit in rear vent horizontal termination applications.





## UNIT INSTALLATION WITH VERTICAL TERMINATION

### 5" X 8" VENTING (Rigid Vent Systems)

#### MUST USE RIGID PIPE ADAPTOR #770-994

\* Clearances noted below must be maintained; except when passing through a wall, ceiling or at the termination where the use of a firestop or wall thimble reduces clearance to 1-1/2" (38mm).

- 1) Maintain the 2" clearances (air spaces) to combustibles when passing through ceilings, walls, roofs, enclosures, attic rafter, or other nearby combustible surfaces. Do not pack air spaces with insulation. Check "Venting" Sections for the maximum vertical rise of the venting system and the maximum horizontal offset limitations.

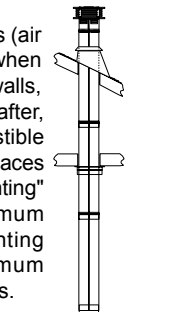


Diagram 1

- 2) Set the gas appliance in its desired location. Drop a plumb bob down from the ceiling to the position of the appliance flue exit, and mark the location where the vent will penetrate the ceiling. Drill a small hole at this point. Next, drop a plumb bob from the roof to the hole previously drilled in the ceiling, and mark the spot where the vent will penetrate the roof.



- 3) A Firestop spacer must be installed in the floor or ceiling of every level. To install the Firestop spacer in a flat ceiling or wall, cut a 11 inch square hole. Frame the hole as shown in Diagram 2 and install the firestop.

**Note: All vertical terminations are vented using 5" x 8" venting and rigid pipe adaptor #770-994.**

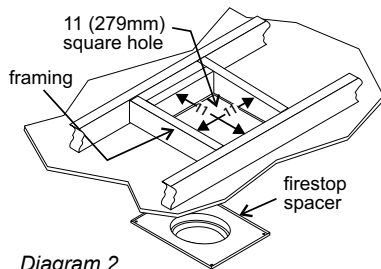
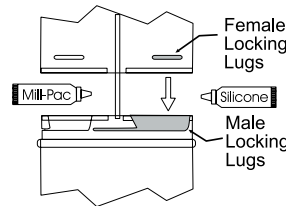


Diagram 2

- 4) Assemble the desired lengths of pipe and elbows. Ensure that all pipes and elbow connections are in the fully twist-locked position and sealed.



**NOTE: For best results and optimum performance with each approved venting system, it is highly recommended to apply "Mill-Pac" sealant (supplied) to every inner pipe connection. Failure to do so may result in drafting or performance issues not covered under warranty.**

- 5) Cut a hole in the roof centered on the small drilled hole placed in the roof in Step 2. The hole should be of sufficient size to meet the minimum requirements for clearance to combustibles of 2". Slip the flashing under the shingles (shingles should overlap half the flashing) as per Diagram 3.

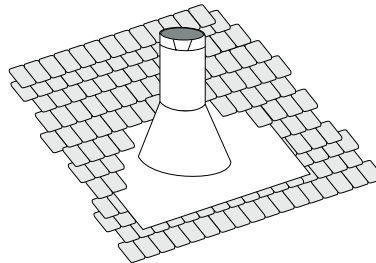


Diagram 3: The upper half of the flashing is installed under the roofing material and not nailed down until the chimney is installed. This allows for small adjustments.

- 6) Continue to assemble pipe lengths.

**Note: If an offset is necessary in the attic to avoid obstructions, it is important to support the vent pipe every 3 feet, to avoid excessive stress on the elbows, and possible separation. Wall straps are available for this purpose.**

Galvanized pipe is desirable above the roofline due to its higher corrosion resistance. Continue to add pipe sections through the flashing until the height of the vent cap meets the minimum height requirements specified in Dia. 4 or local codes. Note that for steep roof pitches, the vertical height must be increased. A poor draft, or down drafting can result from high wind conditions near big trees or adjoining roof lines, in these cases, increasing the vent height may solve the problem.

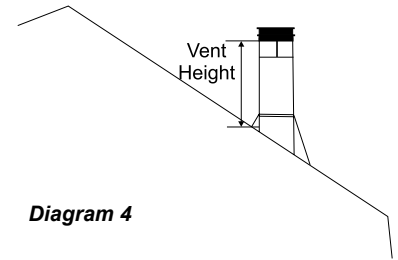


Diagram 4

Roof Pitch	Minimum Vent Height	
	Feet	Meters
flat to 7/12	2	0.61
over 7/12 to 8/12	2	0.61
over 8/12 to 9/12	2	0.61
over 9/12 to 10/12	2.5	0.76
over 10/12 to 11/12	3.25	0.99
over 11/12 to 12/12	4	1.22
over 12/12 to 14/12	5	1.52
over 14/12 to 16/12	6	1.83
over 16/12 to 18/12	7	2.13
over 18/12 to 20/12	7.5	2.29
over 20/12 to 21/12	8	2.44

- 7) Ensure vent is vertical and secure the base of the flashing to the roof with roofing nails, slide storm collar over the pipe section and seal with a mastic.

- 8) Install the vertical termination cap by twist-locking it.

*Note: Any closets or storage spaces, which the vent passes through must be enclosed.*

## GAS LINE INSTALLATION

The gas line is brought through the right side of the appliance. The gas valve is situated on the right hand side of the unit and the gas inlet is on the right hand side of the valve.

The gas line connection may be made of rigid pipe, copper pipe or an approved flex connector. (If you are using rigid pipe, ensure that the valve can be removed for servicing.) Since some municipalities have additional local codes it is always best to consult with your local authorities and the CAN/CGA B149 installation code.

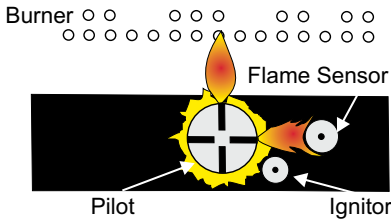
For USA installations follow local codes and/or the current National Fuel Gas Code, ANSI Z223.1.

When using copper or flex connectors use only approved fittings. Always provide a union so that gas lines can be easily disconnected for servicing. Flare nuts for copper lines and flex connectors are usually considered to meet this requirement.

**Important: Always check for gas leaks with a soap and water solution or gas leak detector. Do not use open flame for leak testing.**

## PILOT ADJUSTMENT

Periodically check the pilot flames. Correct flame pattern has two strong blue flames: 1 flowing around the flame sensor and 1 flowing across the burner (it does not have to be touching the burner).



**Note:** If you have an incorrect flame pattern, contact your Regency® dealer for further instructions.

Incorrect flame pattern will have small, probably yellow flames, not coming into proper contact with the rear burner or flame sensor.

## HIGH ELEVATION

This unit is approved in Canada for altitude to 4500 ft. (CAN/CGA-2.17-M91). For Natural Gas installations above 4500 ft. follow current CAN/CGA-B149.1.

### B41XTE -NG10 System Data

For 0 to 4500 feet altitude  
**Burner Inlet Orifice Sizes:** #30

**Max. Input Rating** 42,500 Btu/h  
**Min. Input Rating** 30,000 Btu/h

**Supply Pressure** min.5.0" w.c.

**Manifold Pressure (High)** 3.5"+/- 0.2" w.c.

**Manifold Pressure (Low)** 1.6"+/- 0.2" w.c.

### B41XTE - LP10 System Data

For 0 to 4500 feet altitude  
**Burner Inlet Orifice Sizes:** #49

**Max. Input Rating** 37,500 Btu/h  
**Min. Input Rating** 29,500 Btu/h

**Supply Pressure** min.11.0" w.c.

**Manifold Pressure (High)** 10"+/- 0.2"w.c.

**Manifold Pressure (Low)** 6.4"+/- 0.2"w.c.

## GAS PIPE PRESSURE TESTING

The appliance must be isolated from the gas supply piping system by closing its individual manual shut-off valve during any pressure testing of the gas supply piping system at test pressures equal to or less than 1/2 psig. (3.45 kPa). Disconnect piping from valve at pressures over 1/2 psig.

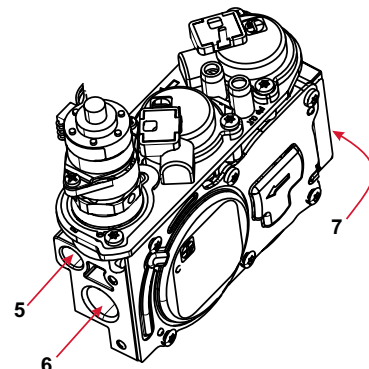
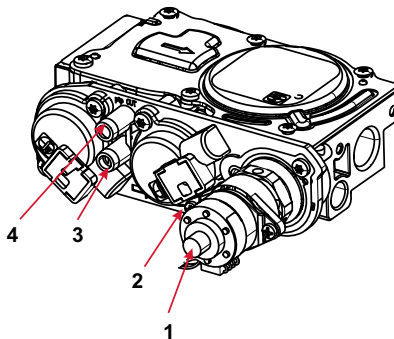
The manifold pressure is controlled by a regulator built into the gas control, and should be checked at the pressure test point.

**Note:** To properly check gas pressure, both inlet and manifold pressures should be checked using the valve pressure ports on the valve.

- 1) Make sure the valve is in the "OFF" position.
- 2) Loosen the "IN" and/or "OUT" pressure tap(s), turning counterclockwise with a 1/8" wide flat screwdriver.
- 3) Attach manometer to "IN" and/or "OUT" pressure tap(s) using a 5/16" ID hose.
- 4) Light the pilot and turn the valve to "ON" position.
- 5) The pressure check should be carried out with the unit burning and the setting should be within the limits specified on the safety label.
- 6) When finished reading manometer, turn off the gas valve, disconnect the hose and tighten the screw (clockwise) with a 1/8" flat screwdriver. **Note: Screw should be snug, but do not over tighten.**

## 885 S.I.T. VALVE DESCRIPTION

- 1) 6 Stage flame adjustment
- 2) Pilot adjustment
- 3) Outlet Pressure Tap
- 4) Inlet Pressure Tap
- 5) Pilot Outlet
- 6) Main Gas Outlet
- 7) Main Gas Inlet



## BRICK PANEL INSTALLATION

Must install one of the following: Brick Panels, Stainless Steel or Black Enamel Panels.

**Dangerous operating conditions may occur if the panels are not installed or if installed with broken panels.  
Handle with care. DO NOT FORCE INTO POSITION.**

- 1) Unwrap the Brick Panels from the protective wrapping.



- 2) Ensure that the logs are not in the unit.

- 3) Prior to installation of the brick panels, remove the top panel bracket currently fitted into the baffle opening on the inside top of the firebox. See diagram below.



*Top Panel Bracket*

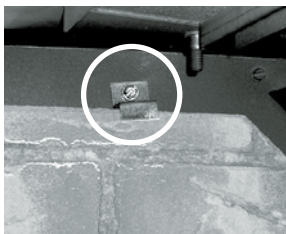
- 4) Install the back brick panel first - use caution when clearing the burner assembly and rear log tray so that the panel does not get damaged.

**Note:** Ensure that the back panel is centered.



*Back Panel Installed*

- 5) Install either the left or right side brick panel by removing the screw and brick clip on the upper side of the firebox wall (left side shown). Position the left brick panel in place and secure with the brick panel clip and screw removed from the firebox as shown below.



- 6) Slide the top brick panel under the left or right side panel (which ever is installed first - right side panel shown here) and back brick panel, use care not to damage panel.



- 7) Install the remaining side panel (left or right), following the same instructions as step 5.

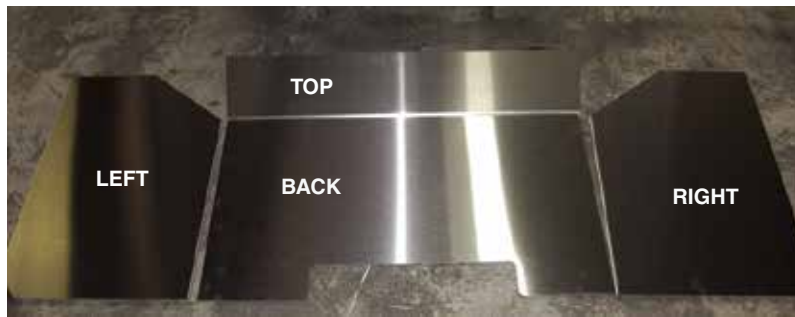
- 8) Carefully position and fit the top bracket in place by ensuring the tabs of the bracket fit into the baffle openings as shown in the diagram 1 below. Push downwards to secure the bracket to the top panel.



## OPTIONAL BLACK ENAMEL PANEL INSTALLATION

Black Enamel Panels
<ul style="list-style-type: none"> <li>• Black Enamel panels must be inspected for scratches and dimples prior to installation. All claims to be recorded at this time. Claims for damage after installation will not receive consideration.</li> </ul>
<ul style="list-style-type: none"> <li>• Black Enamel panels will discolor a little during normal operation. This is normal and should not be considered a defect.</li> </ul>
<p><b>* All hand and finger marks <b>MUST</b> be cleaned off with a soft cloth. Use an ammonia based cleaner (ie. glass cleaner) to remove any fingerprints before applying heat to the unit.</b></p> <p><b>Failure to do this will result in burn stains on panels which you will be unable to remove. Not protected by product warranty.</b></p>

**Note:** Panels must be installed prior to the installation of the log set and vermiculite.



1) Prior to installation of the reflective panels, remove the top panel bracket currently fitted into the baffle opening on the inside top of the firebox. See diagram below.



*Top Panel Bracket*

2) Install the back stainless panel first - be careful not to scratch the panel on the burner or log tray when installing. Ensure the back panel is centered when installed.

3) Install the right side panel - secure with panel clip and 1 screw. See step 3.



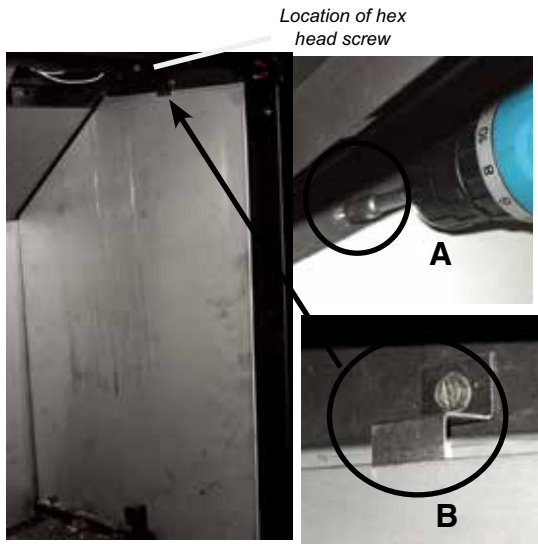
*Back Panel*

*Right Side Panel*



## 38 | installation

- 4) Remove 1 screw (see inset A), position right side panel in firebox - position panel clip in place and secure with 1 screw (see inset B). Tighten the screw.



- 7) Carefully position and fit the top bracket in place by ensuring the tabs of the bracket fit into the baffle openings as shown below. Push downwards to secure the bracket to the top panel.



Top panel bracket shown installed with Stainless Steel Panels



- 5) Slide top panel under the top of the back and right side panels as shown below.



- 6) Install left side panel - repeat step 4.

## LOG SET INSTALLATION

Installation of Brick or Black Enamel Panels must be completed before installing the log set.

Read the instructions below carefully and refer to the images. If the logs are broken do not use the unit until they are replaced. Broken logs can interfere with pilot operation.

Improper positioning of the logs may create carbon build-up and can alter the unit's performance which is not covered under warranty.

Log Kit# 506-930 contains the following pieces:

A	Rear Bottom Right Log
B	Rear Top Left Log
C	Right Top Cross Log
D	Front Log Piece
E	Left Top Cross Log
F	Center Right Log
G	Front Bottom Right Log
H	Front Bottom Left Log
I	Center Left Log
902-156	Lava Rocks
902-179	Vermiculite
946-669	Platinum Embers (supplied w/package manual)

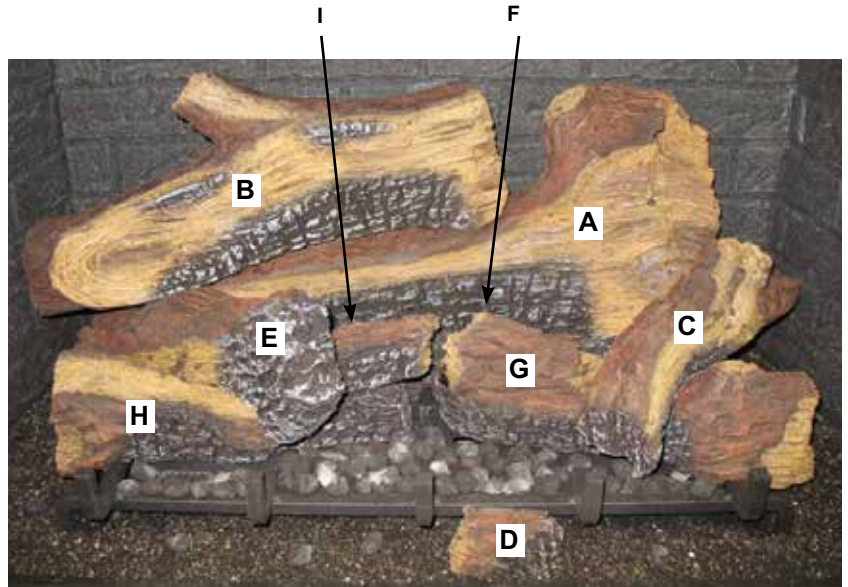


Diagram 1

- Carefully remove the logs from the packaging and unwrap them. The logs are fragile, handle with care - **do not force into position.**
- Spread vermiculite along the base of the firebox.
- Place Log A on the rear log support pins with the flat side to the back.



Diagram 2  
Vermiculite

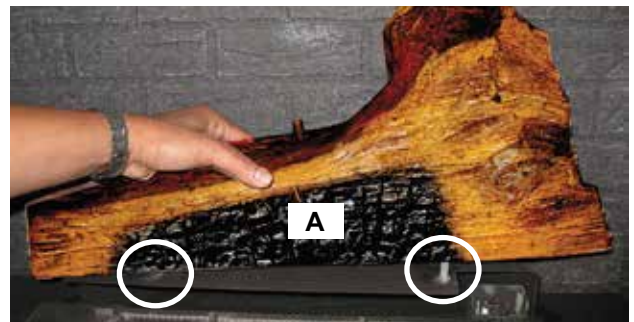


Diagram 3-Log A

- Place Log F on the right side of the burner, directly in front of Log A. Position Log F so it fits into the pin on the burner as shown below.

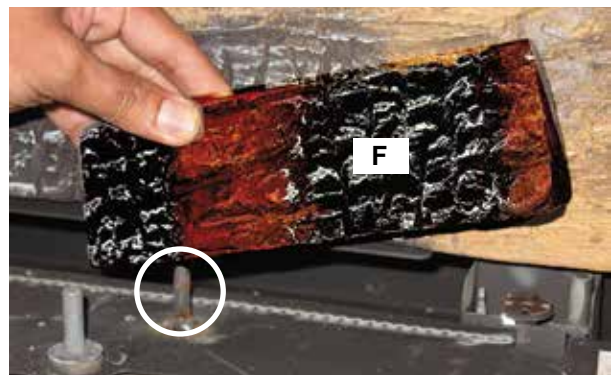


Diagram 4-Log F



## 40 | installation

- 5) Place Log I on the left side of the burner, directly in front of Log A. Position Log I so it fits into the pin on the burner as shown below.



Diagram 4-Log I

- 6) When Log F and I are in position - make sure they are positioned all the way back and touch the tabs on the burner as shown below.

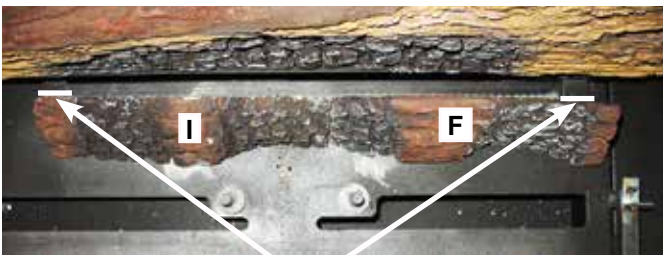


Diagram 5- location of back tabs on Burner

- 7) Place Log H on the left front side of the burner in front of log I. Position Log H so it fits into the pin on the burner as shown below.



Diagram 6-Log G

- 8) Slide the left side of Log H back until it touches the tab on the burner shown below.

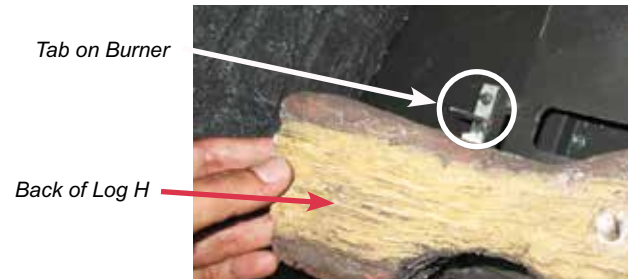


Diagram 7-Back of Log G

- 9) Place Log G on the right front side of the burner in front of log F. Position Log H so it fits into the pin on the burner as shown below. There is a notch on the bottom of log G - position the log so the notch fits over the 5th burner grate tab as shown below.

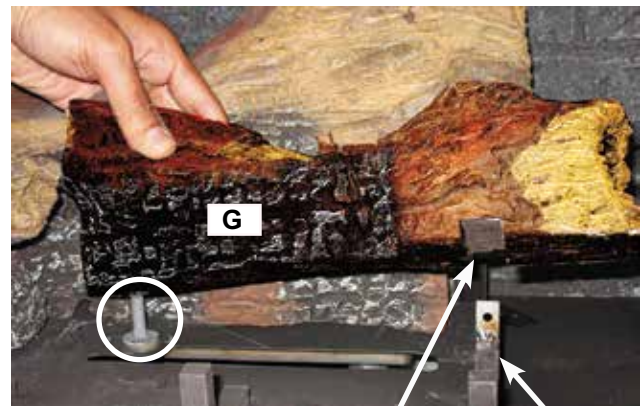


Diagram 8  
Notch - Log G      Burner Grate Tab

- 10) Slide the right side of Log G back until it touches the tab on the burner shown below.



Diagram 9  
Back of Log G



11) Position Log E on top of Log H - fit Log E into the pin on Log H as shown below.

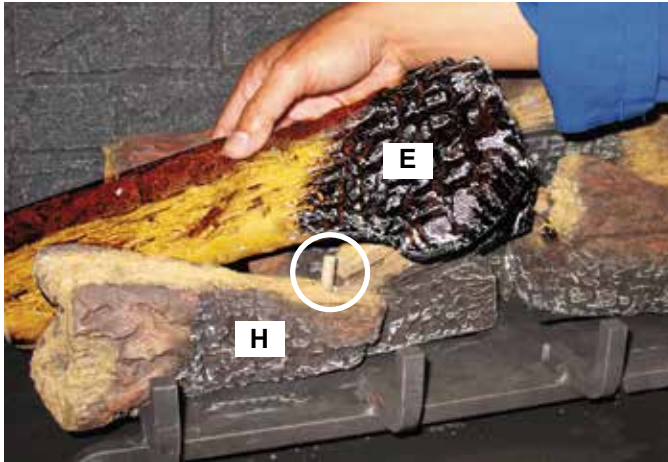


Diagram 10

12) With Log E in position on Log H - ensure that Log E touches the back corner of Log A as shown below.

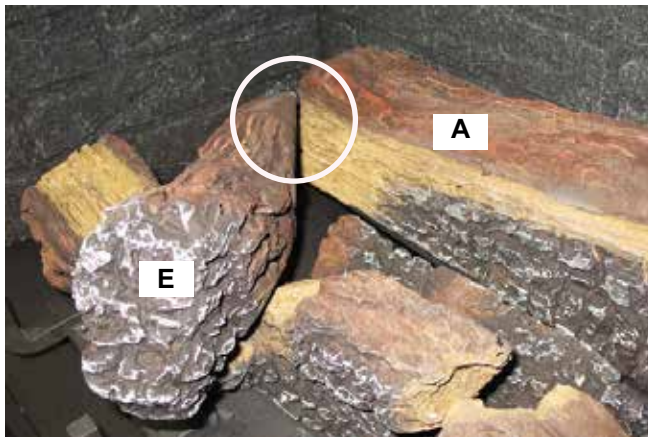


Diagram 11

13) Position Log B on top of Log A. Log B fits into the pin in Log A. Ensure Log B sits upright 90 degrees with the left side of the log resting on the notch in Log E. See next 2 diagrams.



Diagram 12

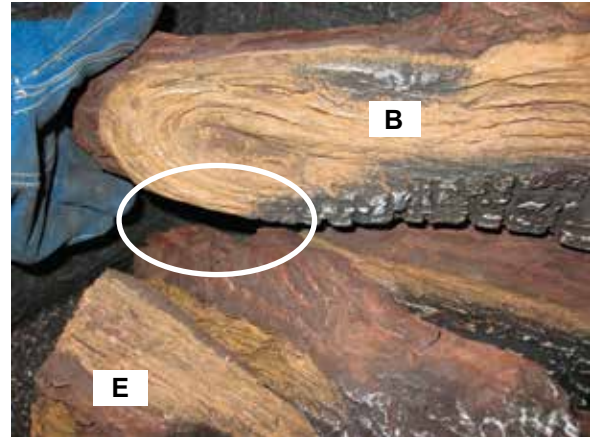


Diagram 13

14) Position Log C on top of Log G. Log C fits into the pin in Log G. as shown below.

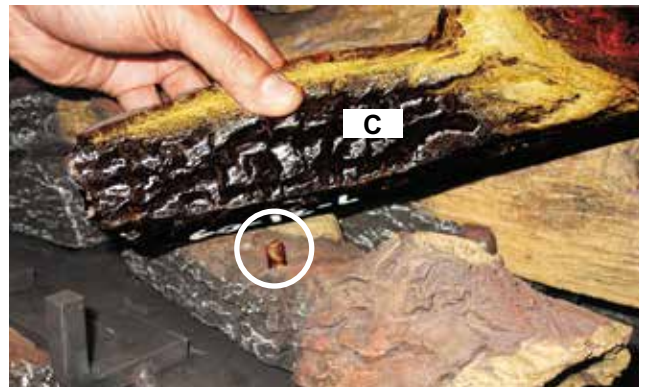


Diagram 14

15) With Log C in position on Log H - assure that Log C contacts the back corner of Log A as shown below.

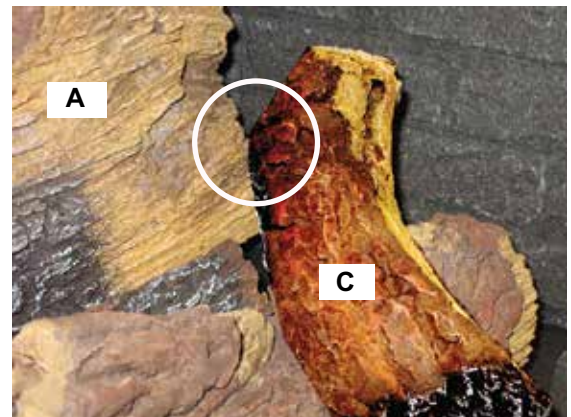


Diagram 15



- 16) Place the lava rocks on the burner in front of the logs as shown below. Be careful not to overlap the lava rock and ensure the burner ports are left exposed in front of Logs G and H as shown below.



Diagram 16



**IMPORTANT:**  
Do not cover burner ports with lava rocks as this will change the flame pattern.

**Note:** Extra lava rocks can be placed on the vermiculite on the floor of the firebox - see below.



Diagram 17- Extra Lava Rocks

- 17) Separate platinum embers and place on the front burner on and around the lava rocks. Avoid stacking platinum embers. Platinum embers may be placed over burner ports.



Diagram 18- Platinum Embers

- 18) Place Log D on the base of the firebox in between burner grate posts 3 and 4.



Burner Grate Post 3

Burner Grate Post 4

Diagram 19

- 19) Test fire to ensure proper lighting (make sure flame flows smoothly from one end of the burner to the other).

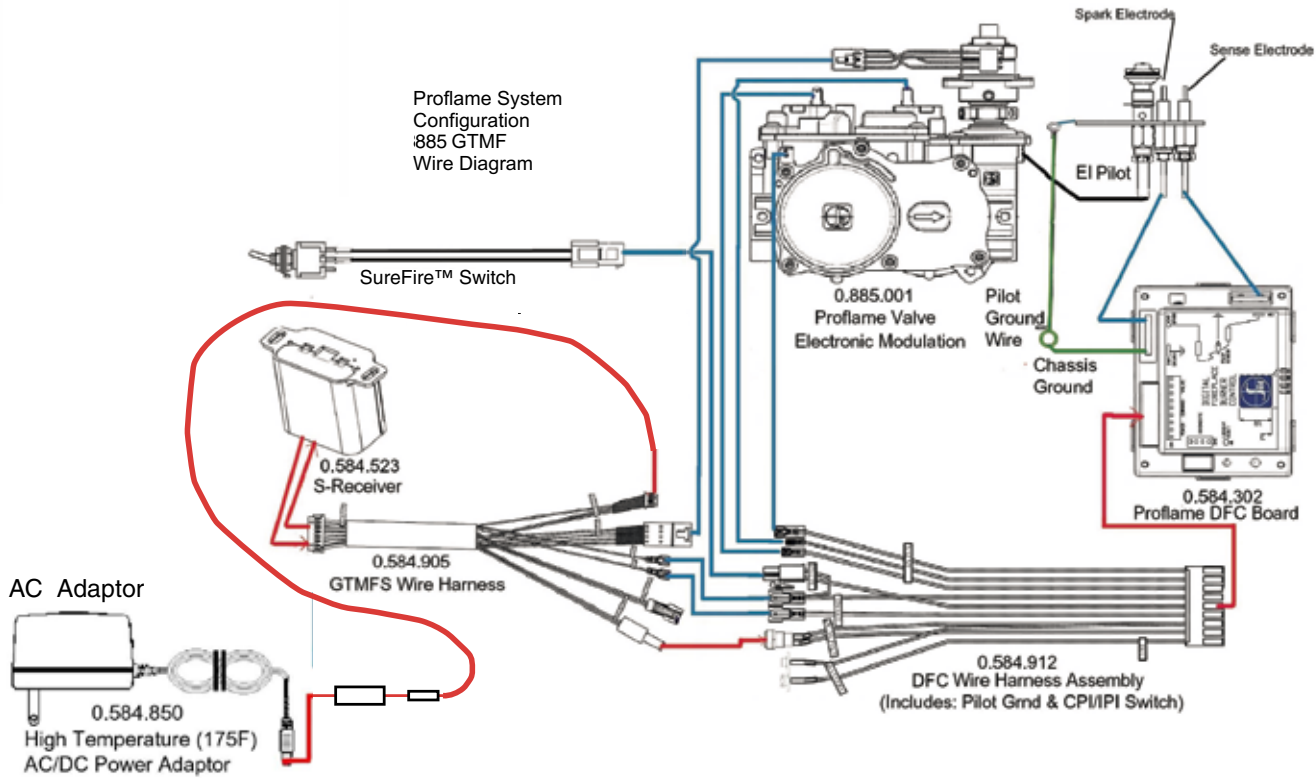
If there is any flame hesitation, check that area for any blockage of the burner ports.

## WIRING DIAGRAM

This heater does not require a 120V A.C. supply for operation but it is highly recommended to install the supplied AC adaptor to eliminate the need for batteries. In case of a power failure, the burner switch and the optional remote control will continue to operate if batteries are installed in the receiver.. However, a 120V A.C. power supply is needed for the fan/blower operation.

**(Do not cut the ground terminal off under any circumstances.)**

**NOTE: Even if the fan is not purchased with the unit, it is still a good idea to bring power to the receptacle box (provided with the unit) in case the fan is installed at a later date.**



**Caution: Ensure that the wires do not touch any hot surfaces and are away from sharp edges.**

**CAUTION: Label all wires prior to disconnection when servicing controls. Wiring errors can cause improper and dangerous operation.**

## AC ADAPTOR INSTALLATION

An AC power adaptor is supplied with this appliance and may be installed as a constant power source for the SureFire system.

**NOTE:** AC power adaptor is not required when using GTMF Remote with fan control module and must be disconnected.

**IMPORTANT:** Recommend removing the 4-AA batteries in the SureFire receiver.

This will avoid battery leakage and power drainage. 4-AA Battery pack may be re-installed into receiver during power outages.



Wire adaptor

AC adaptor

1. Plug AC adaptor into a 120V wall outlet or into the 120V receptacle if installed inside the gas fireplace.
2. Tuck any loose wires neatly underneath the firebox—inside the fireplace.

**Note:** Ensure that wires do not touch the underside of the fire box (Keep wires away from heat as much as possible).

## OPTIONAL FAN INSTALLATION

Important: 120 Volt AC power is needed for the fan switch and blower. The receptacle box will be installed on the left hand side of the unit and must be wired by a qualified electrician prior to fan assembly being installed. The neutral(wider) slot of the polarized receptacle should be at the top.

**Ground terminal must not be removed.  
Unit must be grounded at all times.**

- 1) Turn the power off, unplug accent lights if installed.
- 2) Remove the mesh barrier and the standard flush door.
- 3) Remove fan assembly from box, locate green ground wire and pull out of fan assembly - taking care not to damage or cut wire casing.



- 4) Position the fan base with the motor end towards the rear of the firebox and then slide the fan in towards the rear of the unit. Turn the fan housing slightly to the left and make the fan assembly parallel to the rear wall.



- 5) Lift the fan housing upwards and slip it over the two mounting studs. (use of dish soap will help the rubber grommets slide down over the pins)

**NOTE:** If optional accent lights are installed, take care when sliding the fan into position. Fan must be maneuvered around the right side of the light.



- 9) Slide the thermodisc/cover assembly onto the bracket clip on the left underside of the firebox. Ensure that no wires will touch hot surfaces.



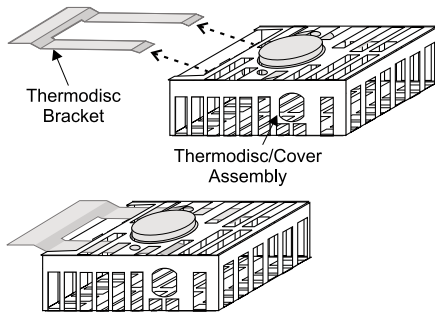
- 7) Connect and secure fan ground cable to ground lug.



- 8) Plug fan power cord into the Fan Control Module (FCM) then plug in the FCM. The switch is on when pushed to the left. (Shown in OFF position above)



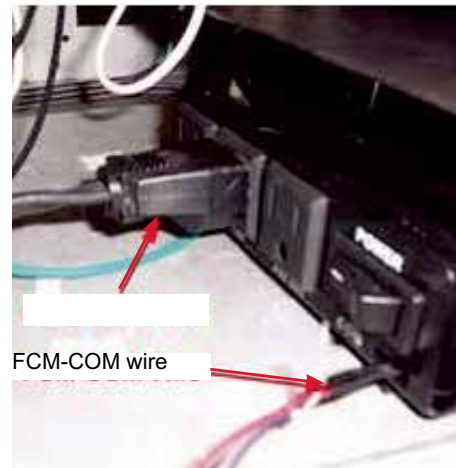
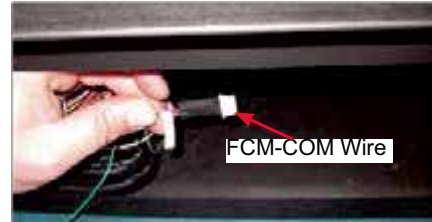
Slide the thermodisc/cover assembly onto the bracket clip on the left underside of the firebox. Ensure that no wires will touch hot



Install the Fan Control Module (FCM) on to the left side base of



. Plug in the fan power cord to the Fan Control Module into the outlet marked "Fan". Plug the FCM-COM wire from the remote control wiring harness into the location on the Fan Control Module marked "COM". Turn the switch on the Fan Control Module to the ON position. ON is to the left. The "O" is the off position



. See the Proflame instructions for coding the remote handheld to the receiver and for operating instructions.

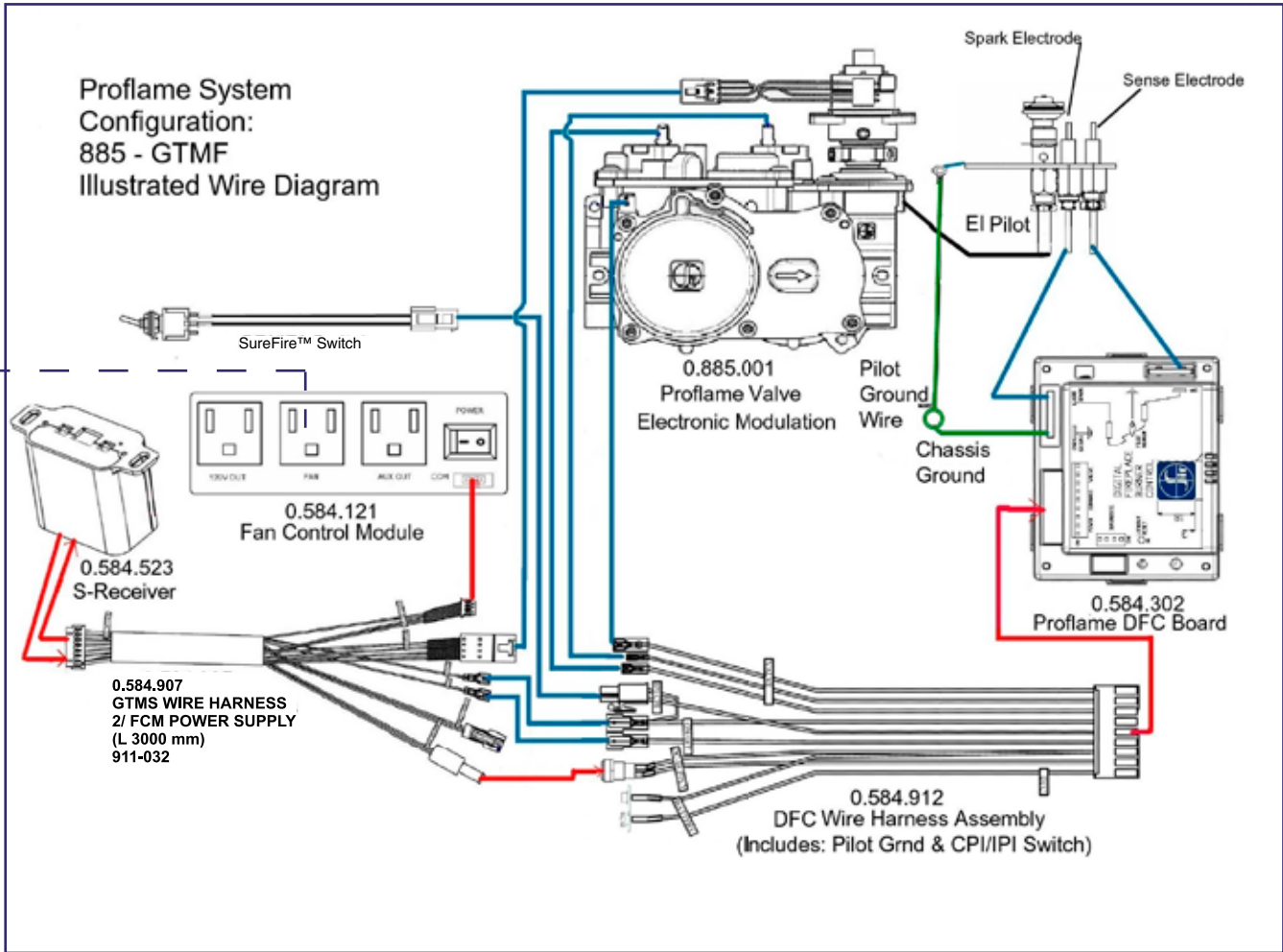
. Reverse Steps 2 -1 to complete the installation.

Reverse the above instructions.

The bearings are lubricated for life. Do not lubricate them. Make sure you vacuum the fan area on a regular basis.

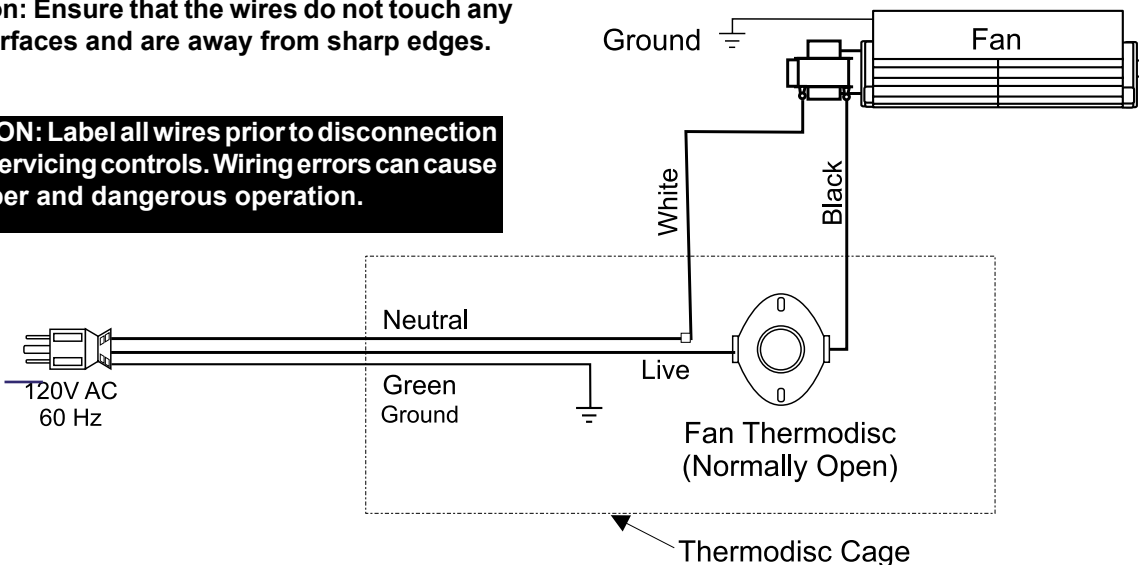
These fans collect a lot of dust from within your home. Ensure you maintain these fan motors on a regular basis by vacuuming out the fan blades

WIRING DIAGRAM WITH OPTIONAL FAN



Caution: Ensure that the wires do not touch any hot surfaces and are away from sharp edges.

**CAUTION: Label all wires prior to disconnection when servicing controls. Wiring errors can cause improper and dangerous operation.**



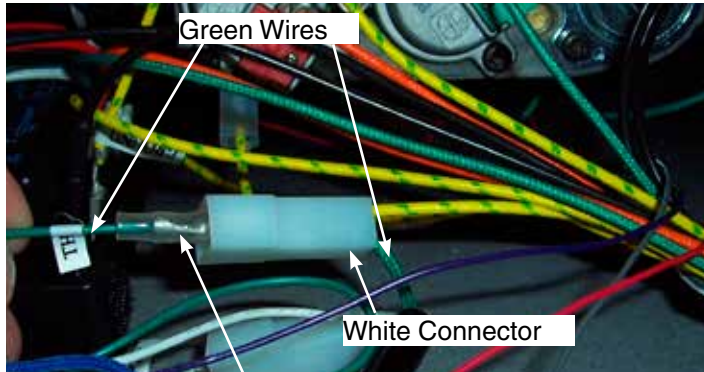


### OPTIONAL WALL THERMOSTAT INSTALLATION

A wall thermostat may be installed if desired.

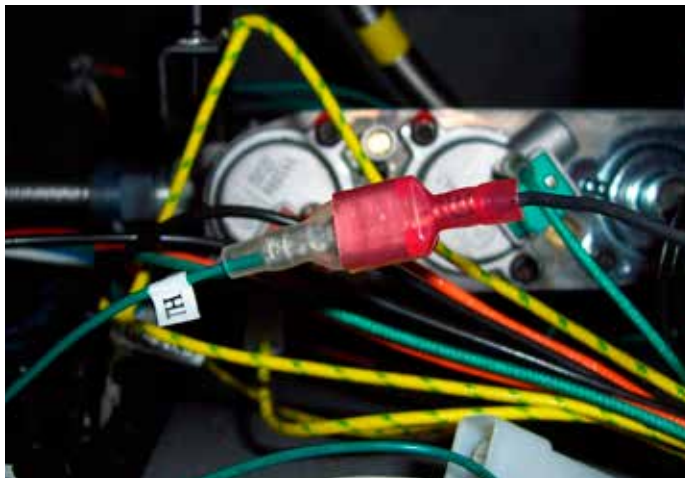
**Recommended:** Wall Thermostat should be mounted beside the Remote/Unit Receiver which comes standard with the appliance.

- 1) Run wires from thermostat into the unit.
- 2) Remove the green wire marked (TH) at the white connector-shown below. The noted wires will be located near the gas valve.



Disconnect green TH wire

- 3) Connect one thermostat lead to female connector, using male spade connector - see picture below.



- 4) Connect the other thermostat lead to male connector disconnected from Step 1 using a female spade connector - see picture below.



When complete turn remote receiver to the <ON> position. Unit will now operate using the wall thermostat.



**NOTE:** When the remote receiver is set to <ON> position, the remote control transmitter and all of its features are now disabled.

**CAUTION**  
Do not wire  
Thermostat wires  
to 120V wire.

## OPTIONAL ACCENT LIGHT INSTALLATION

Accent Light Assembly Kit		
1	910-814	Plug wiring + gasket
2	910-997	Halogen Bulb
2	940-363	Amber Glass
1	Light Assembly	Includes gaskets (x 2)
1	918-864	Instruction Sheet

**Important: 120 Volt AC power is required for the optional light. The receptacle box will be installed on the lower left corner of the unit and will need to be wired by a qualified electrician prior to the optional light installation. The neutral (wider) slot of the polarized receptacle should be at the top. A wall mounted switch should be installed to turn the accent lighting on/off. See wiring diagram in the instruction manual.**

- 1) Shut off electrical supply.
- 2) Remove Full Screen Door and bottom Louver if installed.
- 3) Remove the glass door - see instructions in manual.
- 4) Remove the logs, lava rock and vermiculite if installed.
- 5) Remove the brick or inner panels if installed - see instructions in manual.
- 6) Remove the burner and rear log tray - see below.



Diagram 1: Remove the left and right screws.

- 7) Slide the burner assembly to the right to release it from the orifice, then lift it out.



Diagram 2: Slide burner assembly to the right and then remove.

- 8) Remove the 2 screws securing the rear log tray and lift out. Diagram 3



Diagram 3

- 9) Remove the 2 screws securing the base tray - lift base tray up and out. Diagram 4a and 4b.



Diagram 4a



Diagram 4b

Base Tray

- 10) Remove the 2 cover plates from the floor of the firebox by removing 2 screws from each plate.

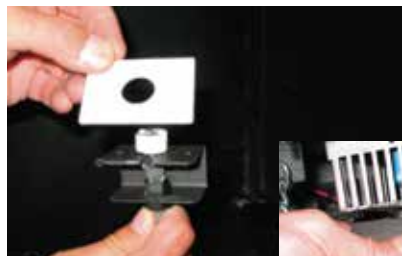


- 11) Remove the cover plate and gasket from the underside of the floor of the firebox.

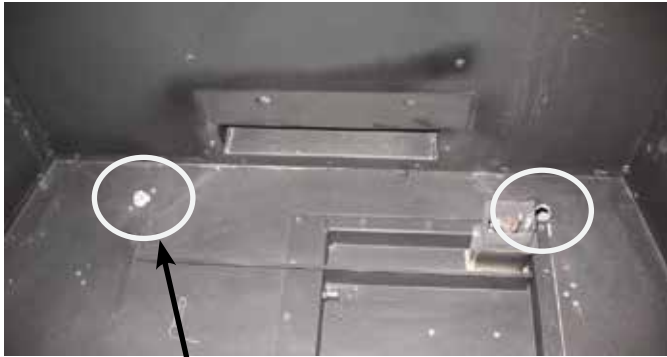


Firebox Base

- 12) Install gaskets onto light assembly mounting plates and feed wires thru the underside of the firebox base. Left side shown, repeat for right side.



- 13) Install each light assembly from the underside of the floor of the firebox. Secure with 2 screws as shown below.



**NOTE:** The ground wire will need to be pulled back out of the protective casing to be able to reach the ground lug. Gently pull the end of the green wire backwards exposing enough wire to reach ground lug.

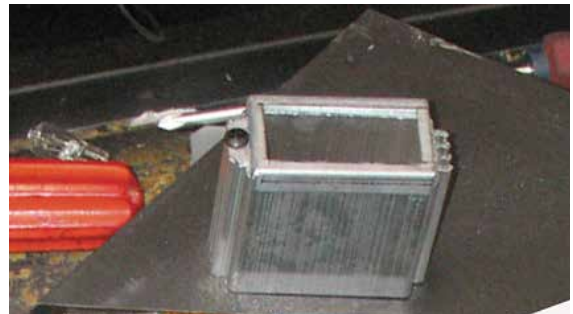


- 14) Install a bulb into each light assembly.

**Note:** Oils from hands will shorten the life of the bulbs, do not handle bulbs with bare hands.



- 15) Install two light diffusers on to the base tray.



- 16) Secure diffusers onto base tray from the backside of the tray with 2 screws.

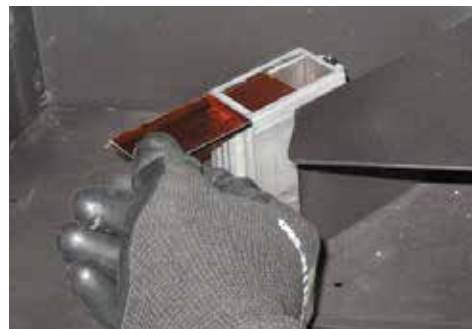


- 17) Reinstall base tray with light diffusers - use caution when installing do not damage the bulb.



- 18) Install amber glass on to light diffusers.

**Note:** Glass is longer than diffuser for ease of removal.



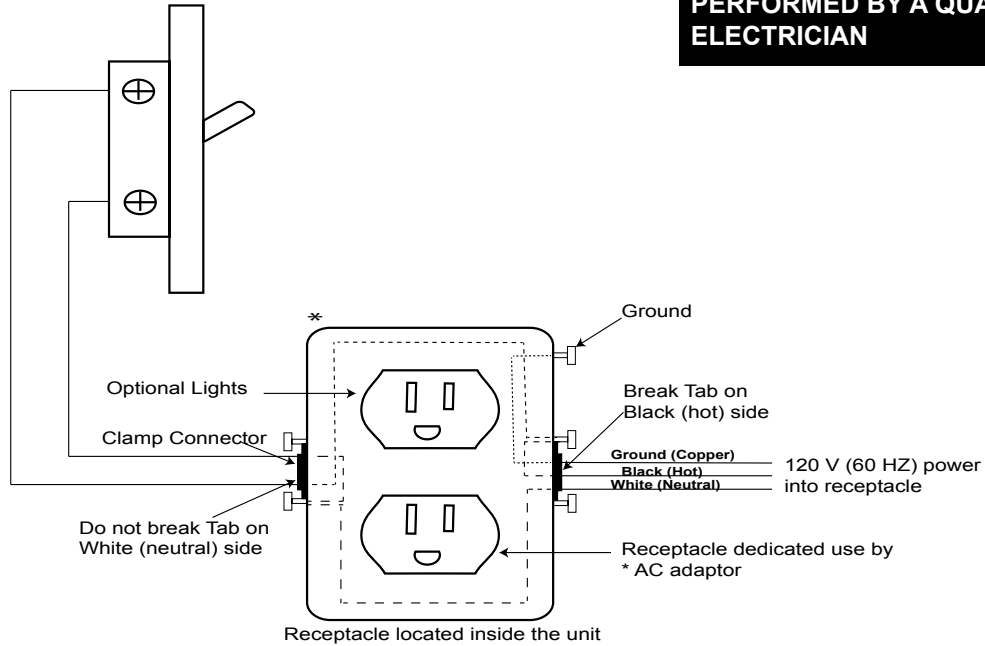
- 19) Reverse steps 9 - 1.

### LINE VOLTAGE WIRING TO RECEPTACLE IN UNIT TO MAKE OUTLETS INDEPENDENT OF EACH OTHER

**Scheme - 1**

Using Wall Switch only to turn lights ON/OFF.

**ELECTRICAL WORK MUST BE PERFORMED BY A QUALIFIED ELECTRICIAN**

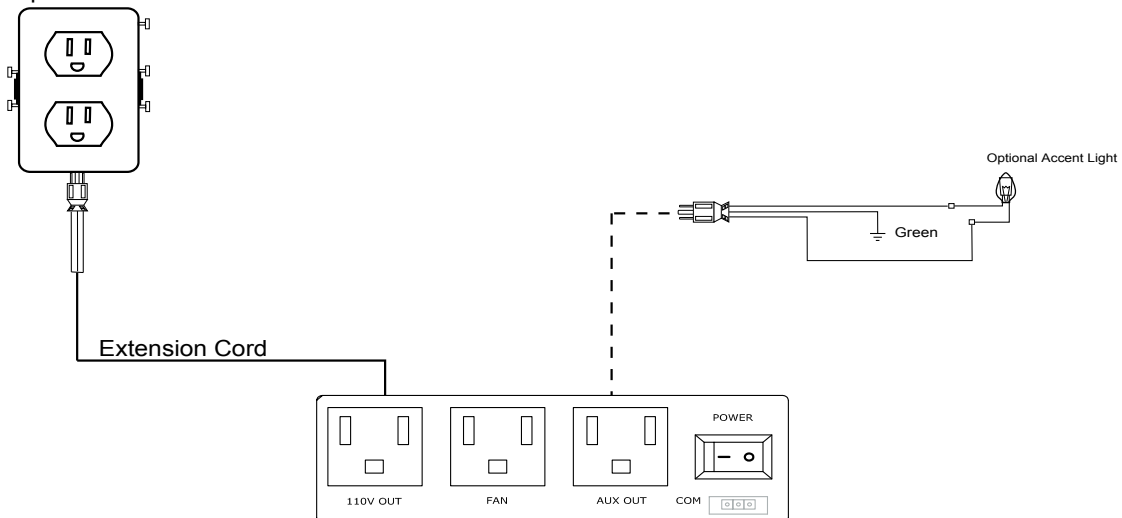


\* - Supplied with the appliance  
NOTE: ON/OFF switch, all wires supplied by others.

**Scheme- 2**

Only Use if Optional Fan is purchased.

Receptacle located inside the unit



NOTE: Lights can be turned ON and OFF using the remote control AUX function on the hand held transmitter. See Remote Control instructions for details. No switch is required.



### FLUSH GLASS DOOR INSTALLATION

The standard flush door comes with a black frame. To install the frame, simply hook the top door flange onto the top of the unit and swing the door towards the unit, see Diagram 1.

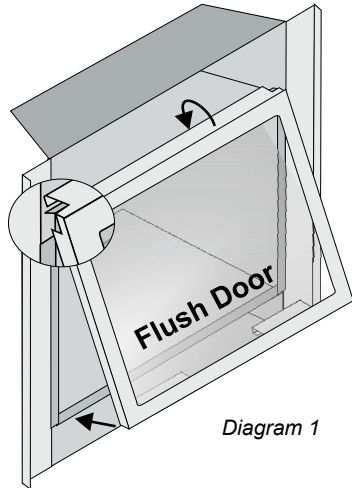


Diagram 1

Be careful that the glass gasket does not roll up; there must be a gap between the gasket and the door lip to ensure that the door sits securely on the unit, see Diagram 2.

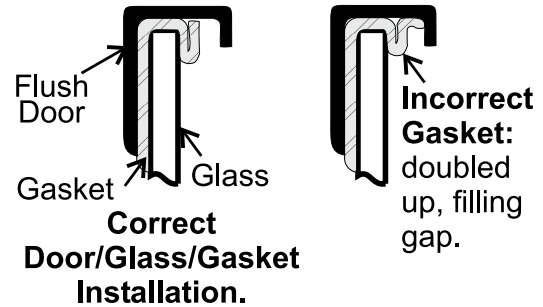


Diagram 2

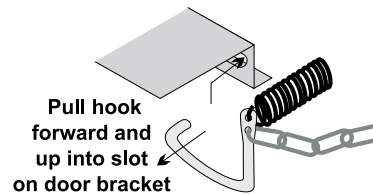
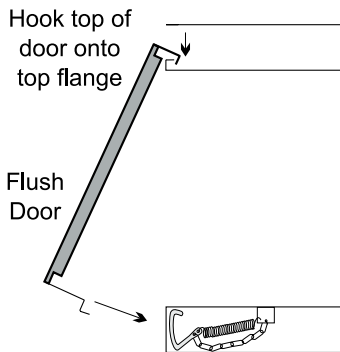


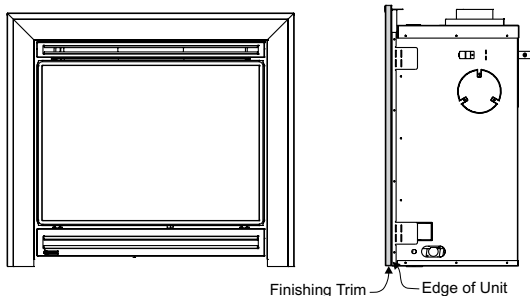
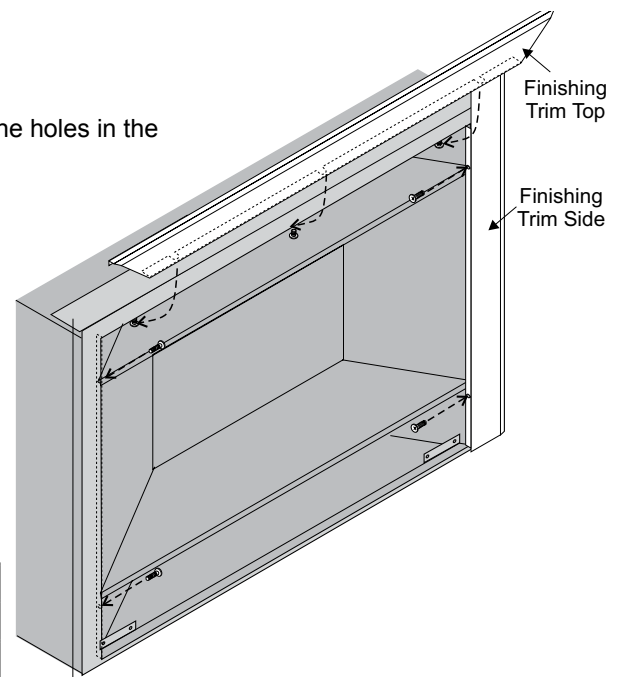
Diagram 3

Use the hook to pull the spring out until you can put the hook into the slot on the bottom door bracket. Repeat for 2nd spring. See Diagram 3.

To remove the flush door, reverse the above steps.

### OPTIONAL FINISHING TRIM INSTALLATION

- 1) Install the Finishing Trim sides as shown in the diagram; line up the holes in the side trim with the holes in the firebox side.
- 2) Secure with 2 screws per side.
- 3) Loosen the 3 screws in the top inside edge of the firebox.
- 4) Slide the Finishing Trim Top over the Side Trim pieces and fit the bottom bracket slots over the screws. Tighten the 2 screws to secure in place.



	B41XTE	B36XTE
W	43-3/8"	40-1/2"
H	37-5/8"	35-3/4"

## VIGNETTE FRAME AND SAFETY SCREEN INSTALLATION

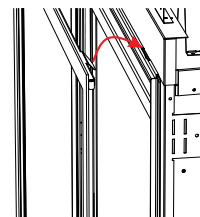
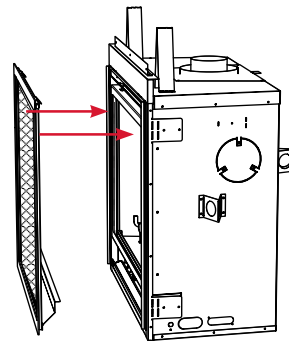
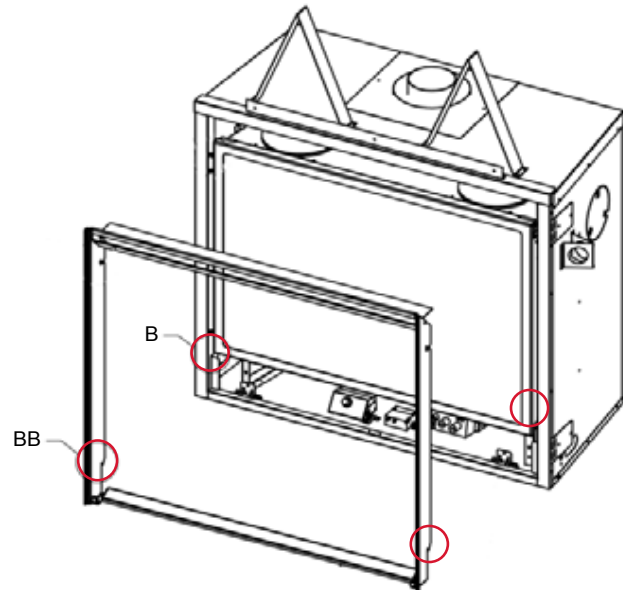
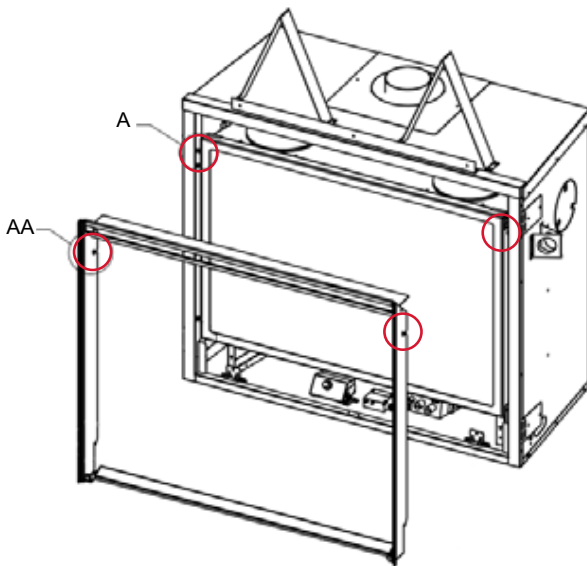
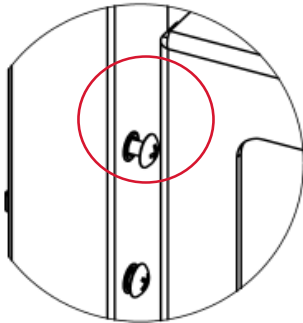
### Black Chrome Handling Instructions

\* All hand and finger marks **MUST** be cleaned off with a soft cloth. Use an ammonia based cleaner (ie. glass cleaner) to remove any finger prints before applying heat to the unit. Use supplied gloves when installing Black Chrome Faceplates. **Failure to do this will result in burn stains on panels which you will be unable to remove.** Not protected by product warranty.

**Note:** If using the optional 3 Sided Finishing Trim you must install it prior to installation of the Vignette Frame and Screen.

1. Remove glass front and carefully set to the side. (Refer to instructions in the manual)
2. Loosen the top screws slightly (approximately 3/16") as shown on both the right and left sides.
3. Reinstall glass front removed in Step 1.
4. Line up Vignette Frame to unit and hook the frame on to the appliance. Slide the top of the frame (See Detail AA above) on to the screws. (See Detail A shown above)
5. Lower bottom end of frame (Detail BB) gently into bottom of bracket. (Detail B)
6. Line up the tabs on the screen assembly with the slots in the outer frame and lower gently into place. Bring bottom of the screen assembly toward the front of the appliance until it comes into contact with the magnets
7. Reverse the steps to remove.

(Left side shown)



## OPERATING INSTRUCTIONS

- 1) Read and understand these instructions before operating this appliance.
- 2) Check to see that all wiring is correct and enclosed to prevent possible shock.
- 3) Check to ensure there are no gas leaks.
- 4) Make sure the glass in the door frame is properly positioned. Never operate the appliance with the glass removed.
- 5) Verify that the venting and cap are unobstructed.
- 6) Ensure that the brick panels are installed.
- 7) Verify log placement. If the pilot cannot be seen when lighting the unit, the logs have been incorrectly positioned.
- 8) The unit should never be turned off, and on again without a minimum of a 60 second wait.

## FIRST FIRE

The first fire in your fireplace is part of the paint curing process. To ensure that the paint is properly cured, it is recommended that you burn your fireplace for at least four (4) hours the first time you use it with the fan on. When first operated, the unit will release an odour caused by the curing of the paint, the burning off of any oils remaining from manufacturing. Smoke detectors in the house may go off at this time. Open a few windows to ventilate the room for a couple of hours.

The glass panel may require cleaning after the unit has cooled down.

## DO NOT ATTEMPT TO CLEAN THE GLASS WHILE IT IS HOT.

**Note:** When the glass is cold and the appliance is lit, it may cause condensation and fog the glass. This condensation is normal and will disappear in a few minutes as the glass heats up.

## DO NOT BURN THE APPLIANCE WITHOUT THE GLASS FRONT IN PLACE.

During the first few fires, a white film may develop on the glass front as part of the curing process. The glass should be cleaned or the film will bake on and become very difficult to remove. Use a non-abrasive cleaner and NEVER clean the glass while it is hot.

## NORMAL OPERATING SOUNDS OF GAS APPLIANCES

It is possible that you will hear some sounds from your gas appliance. This is perfectly normal due to the fact that there are various gauges and types of steel used within your appliance. Listed below are some examples. All are **normal operating sounds** and should not be considered as defects in your appliance.

### Burner Tray:

The burner tray is positioned directly under the burner and is made of a different gauge material from the rest of the firebox and body. Therefore, the varying thicknesses of steel will expand and contract at slightly different rates which can cause "ticking" and "cracking" sounds. You should also be aware that as there are temperature changes within the unit these sounds will likely re-occur. Again, this is normal for steel fireboxes.

### Pilot Flame:

While the pilot flame is on it can make a very slight "whisper" sound.

### Gas Control Valve:

As the gas control valve turns ON and OFF, a dull clicking sound may be audible, this is normal operation of a gas regulator or valve.

### Unit Body/Firebox:

Different types and thicknesses of steel will expand and contract at different rates resulting in some "cracking" and "ticking" sounds will be heard throughout the cycling process.

### Blower Thermodisc:

When this thermally activated switch turns ON it will create a small "clicking" sound. This is the switch contacts closing and is normal.

## AERATION ADJUSTMENT

The burner aeration is factory set but may need adjusting due to either the local gas supply or altitude. Open the air shutter for a blue flame or close for a more yellow flame.

### Minimum Air Shutter Opening:

NG: 1/4"                      LP: 1/2"

**CAUTION:** Carbon will be produced if air shutter is tightly closed.

**Note:** Any damage due to carboning resulting from improperly setting the aeration controls is NOT covered under warranty.



*Air shutter rod: located to the left of the valve assembly.*



## LIGHTING PROCEDURE

**IMPORTANT:** The remote control system supplied with this appliance has several options for starting/operating the appliance using the power button and ON/OFF key on the hand held transmitter. Prior to operating this appliance, please read the remote control operating instructions (packaged with remote control) to understand how to operate this remote control system. Option to download remote functions video with QR code below.



Proflame video

1. Ensure the wall switch/receiver is in the remote position. (see Diagram 1).

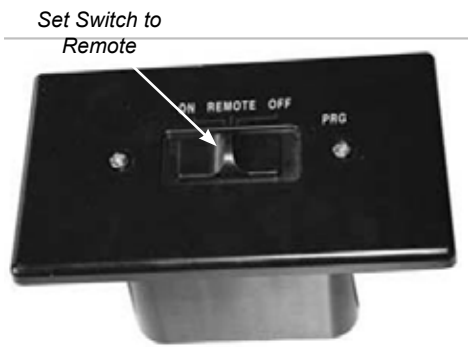


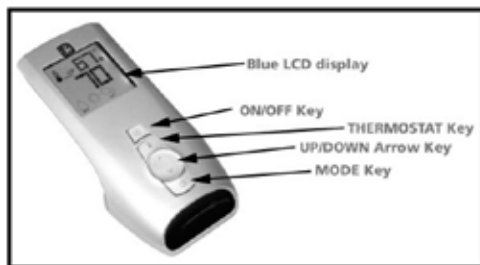
Diagram 1

2. Press and release the ON/OFF button on the remote handheld transmitter (see Diagram 2). An audible beep should be heard from the receiver.



Diagram 2

Remote shown in Manual Mode on Hi



3. After approximately 4 seconds the spark ignition system will spark for 60 seconds to light the main burner.
4. The unit will turn on.

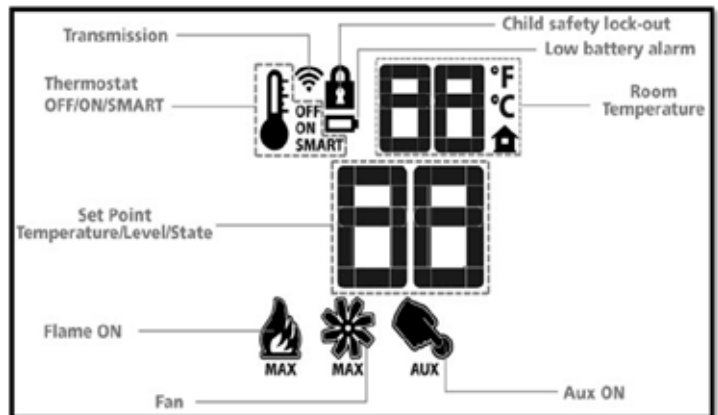
**Note:** The first try for ignition will last approximately 60 seconds. If there is no flame ignition (rectification) the board will stop sparking for approximately 35 seconds. After wait time, the board will start second try for ignition by sparking for approximately 60 seconds. If there is still no positive ignition the board will go into lock out.

The system will need to be reset as follows:

- a) Turn the system off using ON/OFF switch or press ON/OFF button - if using optional remote.
- b) After approximately 2 seconds turn on ON/OFF switch or press ON/OFF button if using optional remote.
- c) Repeat step 2.

## SHUTDOWN PROCEDURE

1. Turn the wall mounted switch or remote to the "OFF" position.
2. Press "OFF" on the remote control.
3. Turn the gas control knob to the "OFF" position to turn off the pilot.



## COPY OF LIGHTING PLATE INSTRUCTIONS

**FOR YOUR SAFETY READ BEFORE LIGHTING**

This appliance must be installed in accordance with local codes, if any; if none, follow the National Fuel Gas Code, ANSI Z223.1/NFPA 54, or Natural Gas and Propane Installation Codes, CSA B149.1.

**WARNING: If you do not follow these instructions exactly, a fire or explosion may result causing property damage, personal injury or loss of life. Improper installation, adjustment, alteration, service or maintenance can cause injury or property damage. Refer to the owner's information manual provided with this appliance. For assistance or additional information consult a qualified installer, service agency or gas supplier.**

**AVERTISSEMENT. Quiconque ne respecte pas à la lettre les instructions dans la présente notice risquerait déclencher un incendie ou une explosion entraînant des dommages, des blessures ou la mort.**

**Une installation, d'ajustement, de modification, de service ou d'entretien peut provoquer des blessures ou des dommages matériels. Reportez-vous au manuel du propriétaire de l'information fournie avec cet appareil. Pour obtenir de l'aide ou des informations supplémentaires consulter un installateur qualifié, une agence de service ou fournisseur de gaz.**

- A) This appliance is equipped with an ignition device which automatically lights the pilot.  
Do not try to light the pilot by hand.
- B) **BEFORE OPERATING** smell all around the appliance area for gas. Be sure to smell next to the floor because some gas is heavier than air and will settle on the floor.
- WHAT TO DO IF YOU SMELL GAS**
- Do not try to light any appliance.
  - Do not touch any electric switch, do not use any phone in your building.
  - Immediately call your gas supplier from a neighbour's phone. Follow the gas supplier's instructions.
  - If you cannot reach your gas supplier, call the fire department.
- C) Do not use this appliance if any part has been under water. Immediately call a qualified service technician to inspect the appliance and replace any part of the control system and any gas control which has been underwater.
- A) Cet appareil est muni d'un dispositif d'allumage qui allume automatiquement la veilleuse.  
Ne tentez pas d'allumer la veilleuse manuellement.
- B) **AVANT DE FAIRE FONCTIONNER**, reniflez tout autour de l'appareil pour déceler une odeur de gaz. Reniflez près du plancher, car certains gaz sont plus lourds que l'air et peuvent s'accumuler au niveau du sol.
- QUE FAIRE SI VOUS SENTEZ UNE ODEUR DE GAZ :**
- Ne pas tenter d'allumer d'appareil
  - Ne touchez à aucun interrupteur; ne pas vous servir des téléphones se trouvant dans le bâtiment.
  - Appelez immédiatement votre fournisseur de gaz depuis un voisin. Suivez les instructions du fournisseur.
  - Si vous ne pouvez rejoindre le fournisseur, appelez le service des incendies
- C) N'utilisez pas cet appareil s'il a été plongé dans l'eau, même partiellement. Faites inspecter l'appareil par un technicien qualifié et remplacez toute partie du système de contrôle et toute commande qui ont été plongés dans l'eau.

**CAUTION: Hot while in operation. Do not touch. Severe Burns may result. Due to high surface temperatures keep children, clothing and furniture, gasoline and other liquids having flammable vapors away. Keep burner and control compartment clean. See installation and operating instructions accompanying appliance.**

**LIGHTING INSTRUCTIONS**

- 1) Ensure the wall switch/receiver is in the remote position.
  - 2) Press and release the ON/OFF button on the remote handheld transmitter. An audible beep should be heard from the receiver.
  - 3) After approximately 4 seconds the spark ignition system will spark for 60 seconds to light the main burner.
  - 4) The unit will turn on.
- Note: The first attempt to ignition will last approximately 60 seconds. If there is no flame ignition (rectification) the board will stop sparking for approximately 35 seconds. After this wait time, the board will start a second try for ignition by sparking for approximately 60 seconds. If there is still no positive ignition after the second attempt the board will go into lock out.
- The system will need to be reset as follows (after going into lock out mode):
- a) Wait 5 minutes - turn the system off using ON/OFF switch or press ON/OFF button if using remote
  - b) After approximately 2 seconds turn on ON/OFF switch or press ON/OFF button if using remote.
  - c) Unit will repeat step 2.
- 1) S'assurer que l'interrupteur mural/récepteur soit en position télécommande.
  - 2) Appuyer sur la touche ON/OFF de la télécommande et relâcher. Un bip sonore se fera entendre depuis le récepteur
  - 3) Après environ 4 secondes, le système d'allumage des étincelles pendant 60 secondes pour allumer le brûleur principal.
  - 4) Les flammes s'allumeront.
- Remarque : Au premier allumage, le système tente d'allumer les flammes pendant 60 secondes. Si l'essai est infructueux, le système fait une pause de 35 secondes. C'est ce qu'on appelle l'étape de rectification. Ce délai écoulé, le système tente à nouveau d'allumer les flammes en produisant des étincelles pendant 60 secondes. Si les flammes ne s'allument toujours pas, le système se met en mode verrouillage.
- Il faut alors le réinitialiser en suivant les étapes ci-dessous (pour le déverrouiller) :
- a) Attendre 5 minutes et éteindre l'appareil en réglant l'interrupteur à la position « OFF » ;
  - b) Attendre 2 secondes et rallumer le système à l'aide de l'interrupteur ou de la télécommande.
  - c) L'unité répétera l'étape 2.

**TO TURN OFF GAS APPLIANCE**

- 1) Turn the wall mounted switch or remote to the "OFF" position.
  - 2) If service is to be performed—you must disconnect power and shut off gas to the unit.
- 1) Utilisez l'interrupteur murale ON/OFF du Brûleur ou du contrôle à distance pour éteindre le brûleur.
  - 2) Si le service est effectuée—vous devez débrancher l'alimentation et coupez le gaz à l'unité.

**DO NOT REMOVE THIS INSTRUCTION PLATE**

919-401a

## MAINTENANCE INSTRUCTIONS

- 1) Always turn off the gas valve before cleaning. For relighting, refer to lighting instructions. Keep the burner and control compartment clean by brushing and vacuuming at least once a year. When cleaning the logs, use a soft clean paint brush as the logs are fragile and easily damaged.
- 2) Clean appliance and door with a damp cloth (never when unit is hot). Never use an abrasive cleaner. The glass should be cleaned with a gas fireplace glass cleaner. **The glass should be cleaned when it starts looking cloudy.**
- 3) The heater is finished in a heat resistant paint and should only be refinished with heat resistant paint. Regency® uses StoveBright Paint - Metallic Black #6309.
- 4) Make a periodic check of burner for proper position and condition. Visually check the flame of the burner periodically, making sure the flames are steady; not lifting or floating. If there is a problem, call a qualified service person.
- 5) The appliance and venting system must be inspected before use, and at least annually, by a qualified field service person, to ensure that the flow of combustion and ventilation air is not obstructed.

**Note: Never operate the appliance without the glass properly secured in place.**

- 6) Do not use this appliance if any part has been under water. Immediately call a qualified service technician to inspect the appliance and to replace any part of the control system and any gas control which has been under water.
- 7) In the event this appliance has been serviced check that the vent-air system has been properly resealed & reinstalled in accordance with the manufacturer's instructions.
- 8) Verify operation after servicing.

### General Vent Maintenance

Conduct an inspection of the venting system semi-annually. Recommended areas to inspect as follows:

- 1) Check the Venting System for corrosion in areas that are exposed to the elements. These will appear as rust spots or streaks, and in extreme cases, holes. These components should be replaced immediately.
- 2) Remove the Cap, and shine a flashlight down the Vent. Remove any bird nests, or other foreign material.

- 3) Check for evidences of excessive condensation, such as water droplets forming in the inner liner, and subsequently dripping out the joints. Continuous condensation can cause corrosion of caps, pipe, and fittings. It may be caused by having excessive lateral runs, too many elbows, and exterior portions of the system being exposed to cold weather.
- 4) Inspect joints, to verify that no pipe sections or fittings have been disturbed, and consequently loosened. Also check mechanical supports such as Wall Straps, or plumbers' tape for rigidity.

## LOG REPLACEMENT

The unit should never be used with broken logs. Turn off the gas valve and allow the unit to cool before opening door and carefully remove the logs. (The pilot light generates enough heat to burn someone.) If for any reason a log should need replacement, you must use the proper replacement log. The position of these logs must be as shown in the diagrams under Log Installation.

**Note: Improper positioning of logs may create carbon build-up and will severely alter the unit's performance which is not covered under warranty.**

## GLASS GASKET

If the glass gasket requires replacement use a tadpole glass gasket (Part # 936-155).

## DOOR GLASS

Your Regency® fireplace is supplied with high temperature 5mm-Ceramic glass. If your glass requires cleaning, we recommend using an approved glass cleaner available at all authorized dealers. Do not use abrasive materials.

### CAUTION & WARNINGS:

- \* Do not clean when the glass is hot.
- \* The use of substitute glass will void all product warranties.
- \* Care must be taken to avoid breakage of the glass.
- \* Do not strike or abuse the glass.
- \* Do not operate this fireplace without the glass front or with a cracked or broken glass front.
- \* Wear gloves when removing damaged or broken glass.
- \* Replacement of the glass panels should be done by a licensed or qualified service person.

### GLASS REPLACEMENT

In the event that you break your glass by impact, purchase your replacement from an authorized Regency dealer only. Replacement glass (Part #940-362/P) is shipped already installed into the door frame. Reinstall as per Glass Door Installation in the "Glass Door Removal" section.

## ACCENT LIGHT BULB REPLACEMENT

- 1) Shut off electrical supply.
- 2) Remove Full Screen Door and bottom Louver if installed.
- 3) Remove the glass door - see instructions in manual.
- 4) Remove the logs, lava rock and vermiculite if installed.
- 5) Remove the brick or inner panels if installed - see instructions in manual.
- 6) Remove the burner and rear log tray - see below.



Diagram 1: Remove the left and right screws.

- 7) Slide the burner assembly to the right to release it from the orifice, then lift it out.



Diagram 2: Slide burner assembly to the right and then remove.

- 8) Remove the 2 screws securing the rear log tray and lift out. Diagram 3



Diagram 3

- 9) Remove the 2 screws securing the base tray - lift base tray up and out. Diagram 4a and 4b.



Diagram 4a



Diagram 4b

Base Tray

- 10) Replace the bulbs as necessary.

**Note:** Oils from hands will shorten the life of the bulbs, do not handle bulbs with bare hands.



- 11) Reverse steps 9 - 1.

## VALVE REPLACEMENT

- 1) Shut off the gas and electrical supply.
- 2) Remove the mesh barrier.
- 3) Open the flush door and remove the door.
- 4) Remove the logs.
- 5) Remove the burner/grate assembly by removing the 2 screws.



Diagram 1: Remove the left and right screws.

- 6) Slide the burner assembly to the right to release it from the orifice, then lift it out.



Diagram 2: Slide burner assembly to the right and then remove.

- 7) Remove the 2 screws securing the rear log tray and lift out. Diagram 3



Diagram 3

- 8) Remove the 2 screws securing the burner tray - lift burner tray up and out. Diagram 4a and 4b.



Diagram 4a



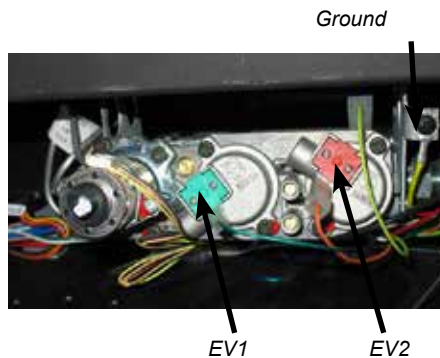
Diagram 4b

- 9) Disconnect the inlet gas line. See Diagram 5.



Diagram 5

- 10) Disconnect the EV1, EV2, and ground wires from the valve - as shown below.



- 11) Remove the 14 screws securing the valve tray assembly in place (Diagram 7) and then lift the entire assembly out. Also remove the valve gasket.

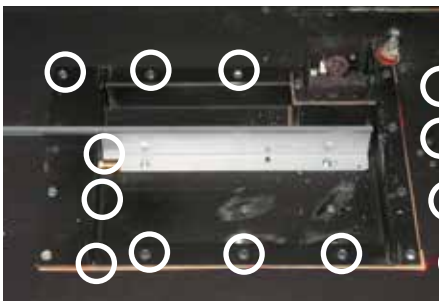


Diagram 7

## INSTALLING VALVE

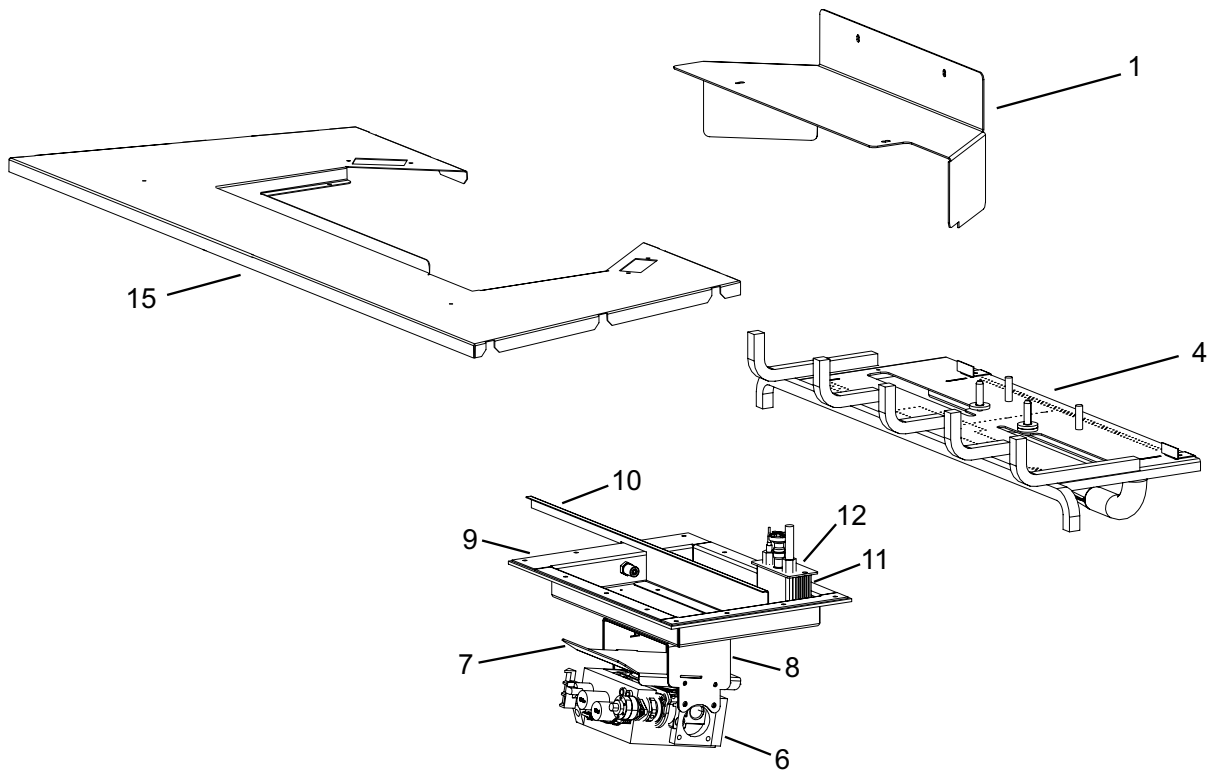
- 1) Place new valve tray and gasket into position.
- 2) Reinstall the 14 hold down screws.
- 3) Connect the EV1, EV2 and ground wires to the appropriate connections on the valve.
- 4) Reinstall the rear log tray.
- 5) Install burner/grate assembly
- 6) Hook up the gas line and check for gas leaks with a soap and water solution or a gas leak detector. (Do not use open flame for leak testing.)
- 7) Fire up the unit temporarily
- 8) Check the manifold pressure.
- 9) Reinstall the logs and brick panels as needed.
- 10) Reinstall the door and replace the louvers.
- 11) Fire up the unit again and check for proper flame appearance and glow on logs.





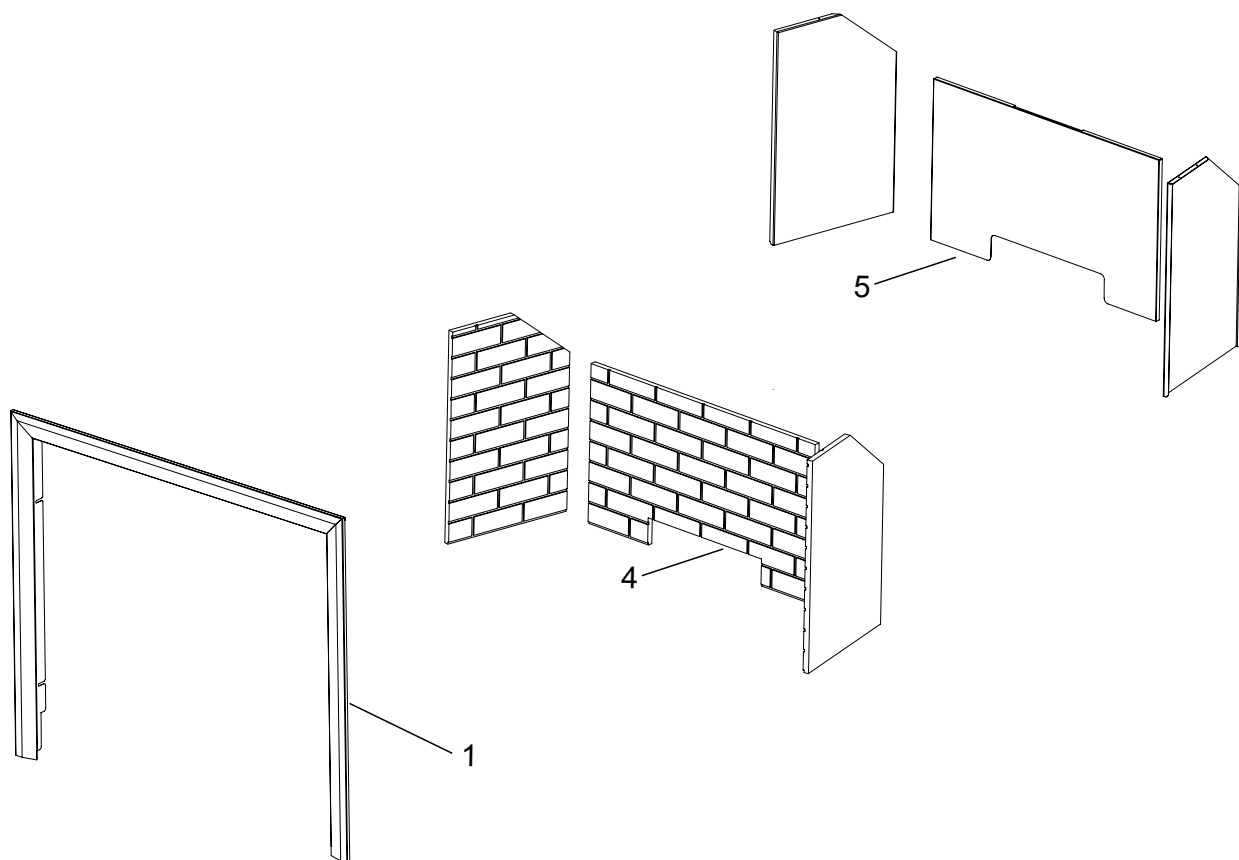
## BURNER ASSEMBLY

Part #	Description	Part #	Description
1) 506-070	Rear Log Tray	904-660	Orifice #30 NG
506-525	B41XTE Burner Assembly NG	904-431	Orifice #49 LP
506-530	B41XTE Burner Assembly LP	509-574 E/P	Valve Assembly - NG
4) 506-531	B41XTE Grate Assembly	509-576 E/P	Valve Assembly - LP
6) 911-084	Valve NG SIT 885	506-003	Valve Assembly Gasket
911-085	Valve LP SIT 885	911-012	Ignition Board (DBC)
7) 506-072	Valve Shield	911-013	Wiring Harness -Switch
8) 506-055	Valve Mounting	911-127	Battery Compartment Door (Receiver)
9) 506-055	Valve Tray Plate	911-018	Battery Holder
10) 506-075	Air Deflector	911-038	Flame Electrode
11) 380-013	Pilot Holder Extruded	911-039	Pilot Hood
12) 911-006	Pilot Assembly - NG	910-432	Pilot Tube
911-007	Pilot Assembly - LP	910-572	Remote Receiver
911-037	Flame Sensor	911-032	Wiring Harness (Remote)
911-038	Flame Electrode	910-592	Remote Control GTMF hand held
		911-030	Fan Control Module
		910-100	Pilot Orifice - NG
		910-101	Pilot Orifice - LP
		946-721	AC Adaptor
		578-972	Conversion Kit LP
		15) 506-062	Base Tray
		506-930	Log Set



**ACCESSORIES**

Part #	Description
1) 509-946	3-Sided Finishing Trim
4) 506-901	Brick Panels - Standard Brown
506-902	Brick Panels - Standard Red
506-905	Brick Panels - Standard Charcoal Gray
5) 506-908	Inner Panels - Black Enamel





Regency® Fireplace Products are designed with reliability and simplicity in mind. In addition, our internal Quality Assurance Team carefully inspects each unit thoroughly before it leaves our facility. FPI Fireplace Products International Ltd. is pleased to extend this limited lifetime warranty to the original purchaser of a Regency® Product. This warranty is not transferable.

#### The Warranty: Limited Lifetime

The combustion chamber, heat exchanger, burner tubes/pans, logs, brick panels and gold plating (against defective manufacture only) are covered under the Limited Lifetime Warranty for five (5) years for parts and subsidized labour\* and parts only thereafter.

Glass is covered for lifetime against thermal breakage only, parts and subsidized labour\* for five (5) years and parts only thereafter from date of purchase.

External casting, surrounds and grills are covered against cracks and warps resulting from manufacturer defects, parts and subsidized labour\* for three (3) years from the date of purchase and parts only thereafter.

Special Finishes - One year on brushed nickel and antique copper full screens and doors. You can expect some changes in color as the product "ages" with constant heating and cooling. FPI warrants the product for any manufacturing defects on the original product. However, the manufacturers warranty does not cover changing colors and marks, ie. finger prints, etc applied after the purchase of the product. Damage from the use of abrasive cleaners is not covered by warranty.

Electrical and mechanical components such as blowers, switches, wiring, thermodiscs, FPI remote controls, spill switches, thermopiles, thermocouples, pilot assembly components, and gas valves are covered for two years parts and one year subsidized labour\* from the date of purchase. Blowers and valves replaced under warranty are considered repairs and continue as if new with appliance. ie. twelve (12) months from original purchase date of appliance with a minimum of three (3) months coverage from date of replacement.

FPI venting components are covered parts and subsidized labour\* for three (3) years from date of purchase.

Simpson Dura-Vent venting components (Direct Vent units) are covered by Simpson Dura-Vent Inc. warranty.

Repair/replacement parts purchased by the consumer from FPI after the original coverage has expired on the unit will carry a 90 day warranty, valid with a receipt only. Any item shown to be defective will be repaired or replaced at our discretion. No labor coverage is included with these parts.

#### Conditions:

Any part or parts of this unit which in our judgement show evidence of such defects will be repaired or replaced at FPI's option, through an accredited distributor or agent provided that the defective part be returned to the distributor or agent Transportation Prepaid, if requested.

Porcelain/Enamel - Absolute perfection is either guaranteed nor commercially possible. Any chips must be reported and inspected by an authorized dealer within three days of installation. Reported damage after this time will be subject to rejection.

It is the general practice of FPI to charge for larger, higher priced replacement parts and issue credit once the replaced component has been returned to FPI and evaluated for manufacturer defect.

The authorized selling dealer is responsible for all in-field service work carried out on your Regency® product. FPI will not be liable for results or costs of workmanship from unauthorized service persons or dealers.

At all times FPI reserves the right to inspect product in the field which is claimed to be defective.

All claims must be submitted to FPI by authorized selling dealers. It is essential that all submitted claims provide all of the necessary information including customer name, purchase date, serial #, type of unit, problem, and part or parts requested, without this information the warranty will be invalid.

#### Exclusions:

This limited Lifetime Warranty does not extend to or include paint, door or glass gasketing or trim.

At no time will FPI be liable for any consequential damages which exceed the purchase price of the unit. FPI has no obligation to enhance or modify any unit once manufactured. ie. as products evolve, field modifications or upgrades will not be performed.

FPI will not be liable for travel costs for service work.

Installation and environmental problems are not the responsibility of the manufacturer and therefore are not covered under the terms of this warranty policy.

Embers, rockwool, gaskets, door handles and paint are not covered under the terms of this warranty policy.

Any unit which shows signs of neglect or misuse is not covered under the terms of this warranty policy.

The warranty will not extend to any part which has been tampered with or altered in any way, or in our judgment has been subject to misuse, improper installation, negligence or accident, spillage or downdrafts caused by environmental or geographical conditions, inadequate ventilation, excessive offsets, negative air pressure caused by mechanical systems such as furnaces, fans, clothes dryer, etc.

Freight damage to stoves and replacement parts is not covered by warranty and is subject to a claim against the freight carrier by the dealer.

FPI will not be liable for acts of God, or acts of terrorism, which cause malfunction of the appliance.

Performance problems due to operator error will not be covered by this warranty policy.

Products made or provided by other manufacturers and used in conjunction with the operation of this appliance without prior authorization from FPI, may nullify your warranty on this product.

Any alteration to the unit which causes sooting or carboning that results in damage to the interior / exterior facia is not the responsibility of FPI.

\* Subsidy according to job scale as predetermined by FPI.

# Register your Regency® warranty online [www.regency-fire.com](http://www.regency-fire.com)

## Reasons to register your product online today!

- View and modify a list of all your registered products.
- Request automatic email notification of new product updates.
- Stay informed about the current promotions, events, and special offers on related products.

***Installer: Please complete the following information***

**Dealer Name & Address:** \_\_\_\_\_  
\_\_\_\_\_

**Installer:** \_\_\_\_\_

**Phone #:** \_\_\_\_\_

**Date Installed:** \_\_\_\_\_

**Serial No.:** \_\_\_\_\_

