



P90 Zero Clearance Direct Vent Gas Fireplace

Owners &
Installation Manual



www.regency-fire.com

MODELS: P90-NG10 Natural Gas P90-LP10 Propane

⚠ WARNING

FIRE OR EXPLOSION HAZARD

Failure to follow safety warnings exactly could result in serious injury, death, or property damage.

- Do not store or use gasoline or other flammable vapors and liquids in the vicinity of this or any other appliance.
- **WHAT TO DO IF YOU SMELL GAS**
 - Do not try to light any appliance.
 - Do not touch any electrical switch: do not use any phone in your building. Leave the building immediately.
 - Immediately call your gas supplier from a neighbour's phone. Follow the gas supplier's instructions.
 - If you cannot reach your gas supplier, call the fire department.
- Installation and service must be performed by a qualified installer, service agency or the gas supplier.

Tested by:




Installer: Please complete the details on the back cover and leave this manual with the homeowner.

Homeowner: Please keep these instructions for future reference.

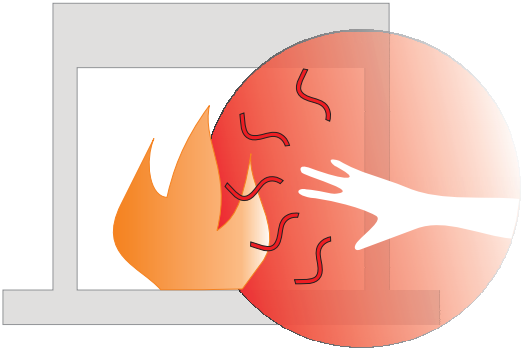
To the New Owner:

Congratulations!

You are the owner of a state-of-the-art Excalibur® Gas Fireplace by FPI FIREPLACE PRODUCTS INTERNATIONAL LTD. The P90 is a hand crafted appliance and has been designed to provide you with all the warmth and charm of a wood fireplace at the flick of a switch. The model P90 has been approved by Warnock Hersey/Intertek for both safety and efficiency. As it also bears our own mark, it promises to provide you with economy, comfort and security for many trouble free years to follow. Please take a moment now to acquaint yourself with these instructions and the many features of your Excalibur® Fireplace.



DANGER



**HOT GLASS WILL
CAUSE BURNS**

**DO NOT TOUCH GLASS
UNTIL COOLED**


**NEVER ALLOW CHILDREN
TO TOUCH GLASS**

A barrier designed to reduce the risk of burns from the hot viewing glass is provided with this appliance and shall be installed for the protection of children and other at risk individuals.

CAUTION:
HOT WHILE IN OPERATION. DO NOT TOUCH.
**SEVERE BURNS MAY RESULT. KEEP CHILDREN, CLOTHING, FURNITURE,
 GASOLINE, AND ANY LIQUIDS WITH FLAMMABLE VAPOURS AWAY.**

KEEP BURNER AND CONTROL COMPARTMENT CLEAN.
**SEE INSTALLATION AND OPERATING INSTRUCTIONS ACCOMPANYING
 APPLIANCE.**


919-358



**NATIONAL
FIREPLACE
INSTITUTE**

CERTIFIED
www.nficertified.org

We recommend that our products be installed and serviced by professionals who are certified in the U.S. by the National Fireplace Institute® (NFI) or in Canada by Wood Energy Technical Training (WETT).



**Wood Energy
Technical Training**
www.wettinc.ca

INFORMATION FOR MOBILE/MANUFACTURED HOMES AFTER FIRST SALE

This Excalibur® product has been tested and listed by Warnock Hersey as a Direct Vent Wall Furnace to the following standards: VENTED GAS FIREPLACE HEATERS ANSI Z21.88-2014/CSA 2.33-2014 and GAS-FIRED APPLIANCES FOR USE AT HIGH ALTITUDES CAN/CGA 2.17-M91.

This Direct Vent System Appliance must be installed in accordance with the manufacturer's installation instructions and the Manufactured Home Construction and Safety Standard, Title 24 CFR, Part 3280, or the current Standard of Fire Safety Criteria for Manufactured Home Installations, Sites, and Communities ANSI/NFPA 501A, and with CAN/CSA Z240-MH Mobile Home Standard in Canada.

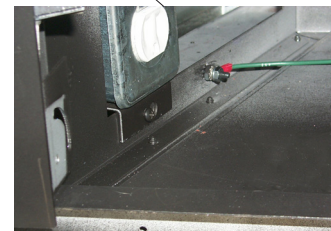
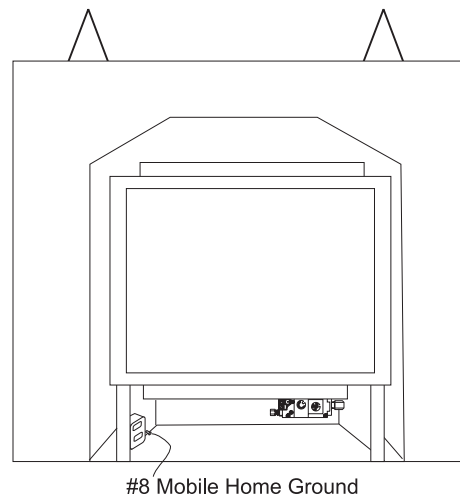
This appliance installation must comply with the manufacturer's installation instructions and local codes, if any. In the absence of local codes follow the current National Fuel Gas Code, ANSI Z223.1 and the current National Electrical Code ANSI/NFPA 70 in the U.S.A., and the current CAN/CGA B149 Gas Installation Code and the current Canadian Electrical Code CSA C22.1 in Canada.

This Excalibur® Mobile/Manufactured Home Listed appliance comes factory equipped with a means to secure the unit.

This Excalibur® Mobile/Manufactured Home listed appliance comes equipped with a dedicated #8 ground lug to which an 18 gauge copper wire from the steel chassis ground must be attached.

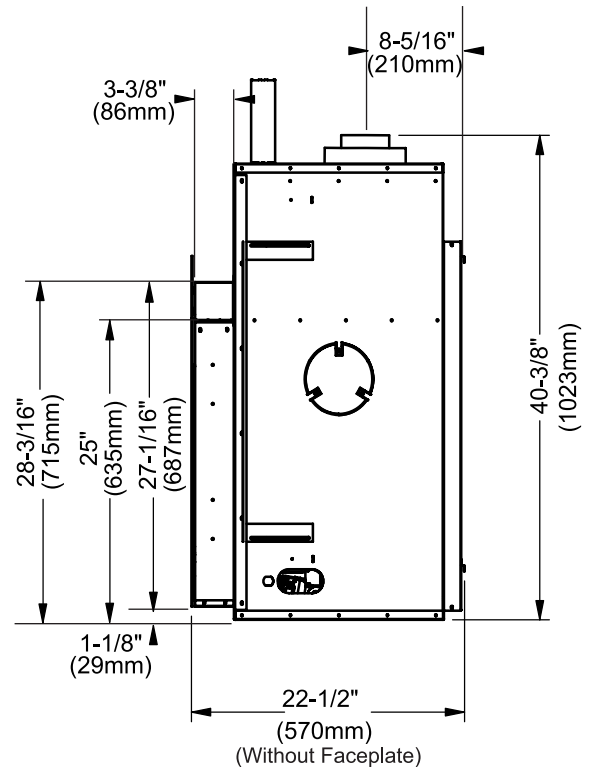
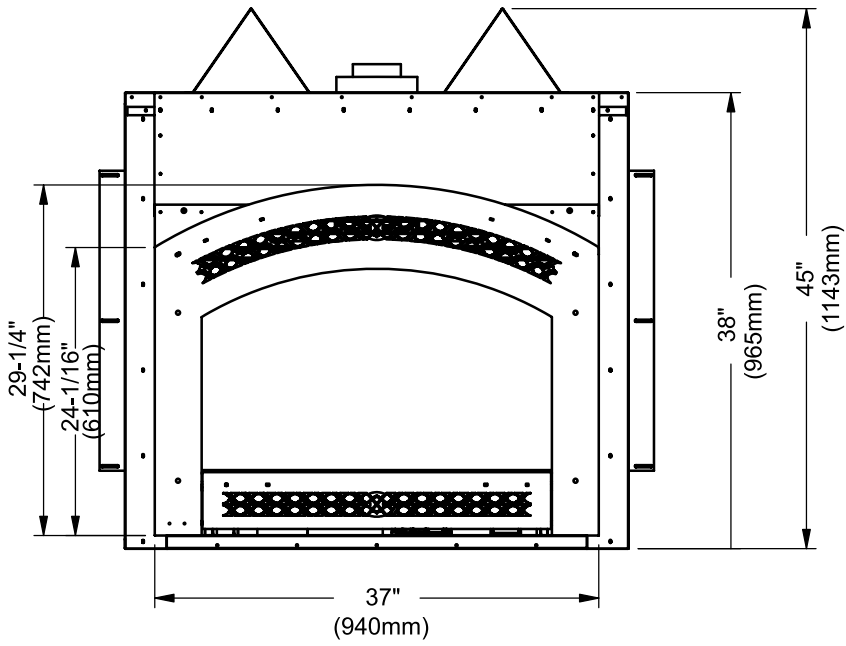
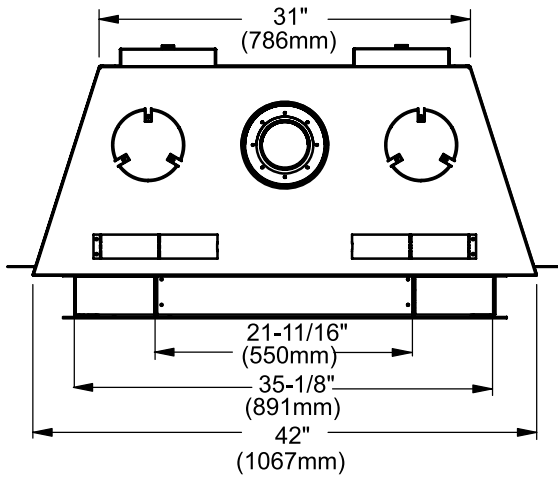
This appliance may only be installed in an aftermarket permanently located, manufactured (mobile) home, where not prohibited by local codes.

This appliance is only use with the type of gas indicated on the rating plate. This appliance is not convertible for use with other gases, unless a certified kit is used.



4 | table of contents

Important Message	8	Gas Line Installation	32
Before You Start	8	Pilot Adjustment.....	32
General Safety Information.....	9	Gas Pipe Pressure Testing	32
Installation Checklist.....	9	Conversion from NG to LP	33
Heatwave Duct System Optional Kit	10	Optional Brick Panels	34
Clearances	10	Log set Installation.....	35
Locating Your Gas fireplace.....	10	Glass Door Installation	39
Manufactured Mobile Home Additional Requirements	10	Double Door Installation	39
Unit Base Stand-offs.....	11	Arch surround (with safety screen) Installation.....	39
Framing And Finishing.....	11	Wiring Diagrams	40
Combustible Mantels.....	12	Aeration Adjustment	41
Mantel leg clearance	12	Operating Instructions	42
Facing Requirement	13	Lighting Procedure	42
Hearth Requirements	13	Shutdown Procedure.....	42
optional framing kit	14	First Fire	42
Wall mount On / Off Switch installation.....	15	Normal operating Sounds of Gas Appliances.....	43
Unit Assembly Prior To Installation	16	Copy Of The Lighting Plate Instructions	43
Venting Introduction.....	16	Maintenance Instructions.....	44
Venting.....	17	Log Replacement	44
Exterior Vent Termination Locations	18	Thermopile/Thermocouple.....	44
4" x 6-5/8" Rigid Pipe Cross Reference Chart.....	19	Glass Gasket.....	44
5" x 8" Rigid Pipe Cross Reference Chart	21	Door Glass.....	44
Rigid Pipe Venting Systems	23	Fan Maintenance.....	45
Rigid Pipe Venting Arrangements -		Removing Valve.....	46
Horizontal Terminations	25	Installing Valve.....	46
Rigid Pipe Venting Arrangements -		Main Assembly	47
Vertical Terminations	26	Burner Assembly & Log Set.....	49
Horizontal terminations.....	29	Arch surround and safety screen assembly	50
Vertical Terminations	30	Warranty	51
Installation Procedures	31		
High Elevation	32		



6 | safety decal

This is a copy of the label that accompanies each P90 Zero Clearance Direct Vent Gas Fireplace. We have printed a copy of the contents here for your review. The safety label is located on the front inside base of the unit, visible when the bottom louver is open.

NOTE: Regency® units are constantly being improved. Check the label on the unit and if there is a difference, the label on the unit is the correct one.

Copy of Safety Decal for P90

DUPLICATE SERIAL NO. 309



Listed: VENTED GAS FIREPLACE HEATER / FOYER AU GAZ À ÉVACUATION
 Certified for/Certifiée pour: CANADA and U.S.A.
 Certified to: CAN/CGA-2.17-M91(R2009)
 Tested to: ANSI Z21.88-2014/ CSA 2.33-2014
 MAY BE INSTALLED IN MANUFACTURED (MOBILE) HOMES AFTER FIRST SALE.



DO NOT REMOVE THIS LABEL / NE PAS ENLEVER CETTE ÉTIQUETTE

Serial No./ No de serie

309

Model/Modèle: P90-NG10

NATURAL GAS: Model P90-NG10

Minimum supply pressure	5"	WC (1.25 kPa)
Manifold pressure high	3.8"	WC (0.95 kPa)
Manifold pressure low	1.1"	WC (0.27 kPa)
Orifice size	# 34	DMS
Minimum input	18,200	Btu/h (5.42 kW)
Maximum input	35,000	Btu/h (10.26 kW)
Altitude	0-4500	ft/pi (0-1372 m)

APPAREIL FONCTIONNANT AU NATURAL GAZ CONCU POUR ETRE POELE: Modèle P90-NG10

Pression d'alimentation minimum	Pression à la tubulure d'échappement élevée	Pression à la tubulure d'échappement basse	Grandeur de l'injecteur	Débit Calorifique minimum selon	Débit Calorifique maximum selon
Pression à la tubulure d'échappement élevée	Pression à la tubulure d'échappement basse	Grandeur de l'injecteur	Débit Calorifique minimum selon	Débit Calorifique maximum selon	l'altitude

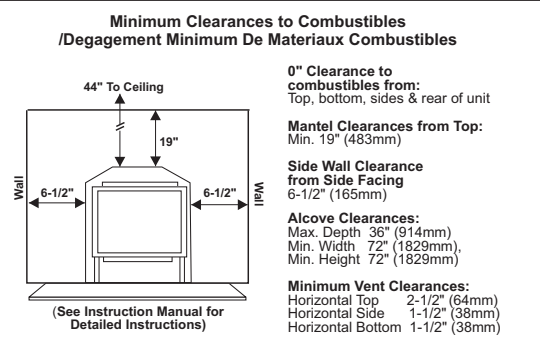
Model/Modèle: P90-LP10

PROPANE: Model P90-LP10

Minimum supply pressure	12"	WC (3.00 kPa)
Manifold pressure high	11"	WC (2.74 kPa)
Manifold pressure low	2.9"	WC (0.72 kPa)
Altitude	0-2000	ft/pi (0-610 m)
Orifice size	# 51	DMS
Minimum input	17,950	Btu/h (5.26 kW)
Maximum input	35,000	Btu/h (10.26 kW)
High Altitude	2000-4500	ft/pi (610-1372 m)
Orifice size	# 52	DMS
Minimum input	15,500	Btu/h (4.54 kW)
Maximum input	31,000	Btu/h (9.08 kW)

APPAREIL FONCTIONNANT AU GAZ PROPANE CONCU POUR ETRE POELE: Modèle P90-LP10

Pression d'alimentation minimum	Pression à la tubulure d'échappement élevée	Pression à la tubulure d'échappement basse	l'altitude	Grandeur de l'injecteur	Débit Calorifique minimum selon	Débit Calorifique maximum selon
Pression à la tubulure d'échappement élevée	Pression à la tubulure d'échappement basse	l'altitude	Grandeur de l'injecteur	Débit Calorifique minimum selon	Débit Calorifique maximum selon	l'altitude



DOOR SEAL: Please check that the door is properly sealed

This appliance must be installed in accordance with local codes, if any; if none, follow the National Fuel Gas Code, ANSI Z223.1, or Natural Gas and Propane Installation Code, CSA B149.1. This appliance must be installed in accordance with the Standard CAN/CSA Z240 MH, Mobile Housing, in Canada, or with the Manufactured Home Construction and Safety Standard, Title 24 CFR, Part 3280, in the United States, or when such a standard is not applicable, ANSI/NCSBCS A225.1/NFPA 501A, Manufactured Home Installations Standard or ANSI A119.2 ou NFPA 501C Standard for Recreational Vehicles. This appliance is only for use with the type of gas indicated on the rating plate and may be installed in an aftermarket, permanently located, manufactured (mobile) home where not prohibited by local codes. See owner's manual for details. Optional Fan (Part #910-331) Optional Heat Wave Kit #946-556 Optional Heat Release Kit #946-570. Installer l'appareil selon les codes ou règlements locaux, ou, en l'absence de tels règlements, selon les codes d'installation ANSI Z223.1, National Fuel Gas Code ou CSA-B149.1 en vigueur. Installer l'appareil selon la norme CAN/CSA-Z240, Série MM, Maison mobiles ou CAN/CSA-Z240 VC, Véhicules de camping, ou la norme 24 CFR Part 3280, Manufactured Home Construction and Safety Standard. Si ces normes ne sont pas pertinentes, utilisez la norme ANSI/NCSBCS A225.1/NFPA 501A, Manufactured Home Installations Standard, ou ANSI A119.2 ou NFPA 501C Standard for Recreational Vehicles. Cet appareil doit être utilisé uniquement avec le type de gaz indiqué sur la plaque signalétique. Cet appareil peut être installé dans une maison préfabriquée ou mobile (E.-U. seulement) installée à demeure si les règlements locaux le permettent. Voir la notice de l'utilisateur pour plus de renseignements. Cet appareil ne peut pas être utilisé avec d'autres gaz sauf si une trousse de conversion certifiée est fournie.

This vented gas fireplace heater is not for use with air filters. Ne pas utiliser de filtre à air avec ce foyer au gaz à évacuation.
 For use with glass doors certified with the appliance only Pour utilisation uniquement avec les portes en verre certifiées avec l'appareil

For Use Only with Barrier (Part #792-920) Follow installation instructions. Utiliser uniquement avec l'écran (n° 792-920) Suivre les instructions d'installation.

ELECTRICAL SUPPLY/ALIMENTATION ELECTRIQUE: 115V, 60HZ less than/moins de 2 AMP

VENTED GAS FIREPLACE HEATER - NOT FOR USE WITH SOLID FUELS. FOYER AU GAZ À ÉVACUATION - NE PAS UTILISER AVEC DU COMBUSTIBLE SOLIDE.

FPI Fireplace Products International Ltd.
 Delta, BC, Canada
 Made in Canada/ Fabrique au Canada 919-496a

For the State of Massachusetts, installation and repair must be done by a plumber or gasfitter licensed in the Commonwealth of Massachusetts.

For the State of Massachusetts, flexible connectors shall not exceed 36 inches in length.

For the State of Massachusetts, the appliances individual manual shut-off must be a t-handle type valve.

The State of Massachusetts requires the installation of a carbon monoxide alarm in accordance with NFPA 720 and a CO alarm with battery back up in the same room where the gas appliance is installed.

MA Code - CO Detector (for the State of Massachusetts only)

5.08: Modifications to NFPA-54, Chapter 10

(2) Revise 10.8.3 by adding the following additional requirements:

(a) For all side wall horizontally vented gas fueled equipment installed in every dwelling, building or structure used in whole or in part for residential purposes, including those owned or operated by the Commonwealth and where the side wall exhaust vent termination is less than seven (7) feet above finished grade in the area of the venting, including but not limited to decks and porches, the following requirements shall be satisfied:

1. **INSTALLATION OF CARBON MONOXIDE DETECTORS.** At the time of installation of the side wall horizontal vented gas fueled equipment, the installing plumber or gasfitter shall observe that a hard wired carbon monoxide detector with an alarm and battery back-up is installed on the floor level where the gas equipment is to be installed. In addition, the installing plumber or gasfitter shall observe that a battery operated or hard wired carbon monoxide detector with an alarm is installed on each additional level of the dwelling, building or structure served by the side wall horizontal vented gas fueled equipment. It shall be the responsibility of the property owner to secure the services of qualified licensed professionals for the installation of hard wired carbon monoxide detectors

a. In the event that the side wall horizontally vented gas fueled equipment is installed in a crawl space or an attic, the hard wired carbon monoxide detector with alarm and battery back-up may be installed on the next adjacent floor level.

b. In the event that the requirements of this subdivision can not be met at the time of completion of installation, the owner shall have a period of thirty (30) days to comply with the above requirements; provided, however, that during said thirty (30) day period, a battery operated carbon monoxide detector with an alarm shall be installed.

2. **APPROVED CARBON MONOXIDE DETECTORS.** Each carbon monoxide detector as required in accordance with the above provisions shall comply with NFPA 720 and be ANSI/UL 2034 listed and IAS certified.

3. **SIGNAGE.** A metal or plastic identification plate shall be permanently mounted to the exterior of the building at a minimum height of eight (8) feet above grade directly in line with the exhaust vent terminal for the horizontally vented gas fueled heating appliance or equipment. The sign shall read, in print size no less than one-half (1/2) inch in size, "**GAS VENT DIRECTLY BELOW. KEEP CLEAR OF ALL OBSTRUCTIONS**".

4. **INSPECTION.** The state or local gas inspector of the side wall horizontally vented gas fueled equipment shall not approve the installation unless, upon inspection, the inspector observes carbon monoxide detectors and signage installed in accordance with the provisions of 248 CMR 5.08(2)(a)1 through 4.

(b) **EXEMPTIONS:** The following equipment is exempt from 248 CMR 5.08(2)(a)1 through 4:

1. The equipment listed in Chapter 10 entitled "Equipment Not Required To Be Vented" in the most current edition of NFPA 54 as adopted by the Board; and

2. Product Approved side wall horizontally vented gas fueled equipment installed in a room or structure separate from the dwelling, building or structure used in whole or in part for residential purposes.

(c) **MANUFACTURER REQUIREMENTS - GAS EQUIPMENT VENTING SYSTEM PROVIDED.** When the manufacturer of Product Approved side wall horizontally vented gas equipment provides a venting system design or venting system components with the equipment, the instructions provided by the manufacturer for installation of the equipment and the venting system shall include:

1. Detailed instructions for the installation of the venting system design or the venting system components; and

2. A complete parts list for the venting system design or venting system.

(d) **MANUFACTURER REQUIREMENTS - GAS EQUIPMENT VENTING SYSTEM NOT PROVIDED.** When the manufacturer of a Product Approved side wall horizontally vented gas fueled equipment does not provide the parts for venting the flue gases, but identifies "special venting systems", the following requirements shall be satisfied by the manufacturer:

1. The referenced "special venting system" instructions shall be included with the appliance or equipment installation instructions; and

2. The "special venting systems" shall be Product Approved by the Board, and the instructions for that system shall include a parts list and detailed installation instructions.

(e) A copy of all installation instructions for all Product Approved side wall horizontally vented gas fueled equipment, all venting instructions, all parts lists for venting instructions, and/or all venting design instructions shall remain with the appliance or equipment at the completion of the installation.

IMPORTANT MESSAGE SAVE THESE INSTRUCTIONS

The P90-NG10 or P90-LP10 Direct Vent Fireplace must be installed in accordance with these instructions. Carefully read all the instructions in this manual first. Consult the "authority having jurisdiction" to determine the need for a permit prior to starting the installation. It is the responsibility of the installer to ensure this fireplace is installed in compliance with manufacturer's instructions and all applicable codes.

BEFORE YOU START

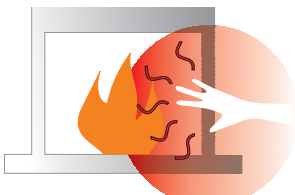
Safe installation and operation of this appliance requires common sense, however, we are required by the Canadian Safety Standards and ANSI Standards to make you aware of the following:

INSTALLATION AND REPAIR SHOULD BE DONE BY AN AUTHORIZED SERVICE PERSON. THE APPLIANCE SHOULD BE INSPECTED BEFORE USE AND AT LEAST ANNUALLY BY A PROFESSIONAL SERVICE PERSON. MORE FREQUENT CLEANING MAY BE REQUIRED DUE TO EXCESSIVE LINT FROM CARPETING, BEDDING MATERIAL, ETC. IT IS IMPERATIVE THAT CONTROL COMPARTMENTS, BURNERS AND CIRCULATING AIR PASSAGEWAYS OF THE APPLIANCE BE KEPT CLEAN.

DUE TO HIGH TEMPERATURES, THE APPLIANCE SHOULD BE LOCATED OUT OF TRAFFIC AND AWAY FROM FURNITURE AND DRAPERIES.

WARNING: FAILURE TO INSTALL THIS APPLIANCE CORRECTLY WILL VOID YOUR WARRANTY AND MAY CAUSE A SERIOUS HOUSE FIRE.

CHILDREN AND ADULTS SHOULD BE ALERTED TO THE HAZARDS OF HIGH SURFACE TEMPERATURES, ESPECIALLY THE FIREPLACE GLASS, AND SHOULD STAY AWAY TO AVOID BURNS OR CLOTHING IGNITION.



YOUNG CHILDREN SHOULD BE CAREFULLY SUPERVISED WHEN THEY ARE IN THE SAME AREA AS THE APPLIANCE. TODDLERS, YOUNG CHILDREN AND OTHERS MAY BE SUSCEPTIBLE TO ACCIDENTAL CONTACT BURNS. A PHYSICAL BARRIERS IS RECOMMENDED IF THERE ARE AT RISK INDIVIDUAL IN THE HOUSE. TO RESTRICT ACCESS TO A FIREPLACE OR STOVE, INSTALL AN ADJUSTABLE SAFETY GATE TO KEEP TODDLERS, YOUNG CHILDREN AND OTHER AT RISK INDIVIDUALS OUT OF THE ROOM AND AWAY FROM HOT SURFACES.

CLOTHING OR OTHER FLAMMABLE MATERIAL SHOULD NOT BE PLACED ON OR NEAR THE APPLIANCE.

A BARRIER DESIGNED TO REDUCE THE RISK OF BURNS FROM THE HOT VIEWING GLASS IS PROVIDED WITH THIS APPLIANCE AND SHALL BE INSTALLED FOR THE PROTECTION OF CHILDREN AND OTHER AT-RISK INDIVIDUALS

ANY SAFETY SCREEN, GUARD, OR BARRIER REMOVED FOR SERVICING THE APPLIANCE, MUST BE REPLACED PRIOR TO OPERATING THE APPLIANCE.

IF THE BARRIER BECOMES DAMAGED, THE BARRIER SHALL BE REPLACED WITH THE MANUFACTURER'S BARRIER FOR THIS APPLIANCE.

GENERAL SAFETY INFORMATION

1. The appliance installation must conform with local codes or, in the absence of local codes, with the current Canadian or National Gas Codes, CAN1-B149 or ANSI Z223.1 Installation Codes.
2. The appliance when installed, must be electrically grounded in accordance with local codes, or in the absence of local codes with the current National Electrical Code, ANSI/NFPA 70 or CSA C22.1 Canadian Electrical Code.
3. See general construction and assembly instructions. The appliance and vent should be enclosed.
4. This appliance must be connected to the specified vent and termination cap to the outside of the building envelope. Never vent to another room or inside a building. Make sure that the vent is fitted as per Venting instructions.
5. Inspect the venting system annually for blockage and any signs of deterioration.
6. Venting terminals shall not be recessed into a wall or siding.
7. Any safety glass removed for servicing must be replaced prior to operating the appliance.
8. To prevent injury, do not allow anyone who is unfamiliar with the operation to use the fireplace.
9. Wear gloves and safety glasses for protection while doing required maintenance.
10. Be aware of electrical wiring locations in walls and ceilings when cutting holes for termination.
11. Under no circumstances should this appliance be modified. Parts that have to be removed for servicing should be replaced prior to operating this appliance.
12. Installation and any repairs to this appliance should be done by a qualified service person. A professional service person should be called to inspect this appliance annually. Make it a practice to have all of your gas appliances checked annually.
13. Do not slam shut or strike the glass door.
14. Under no circumstances should any solid fuels (wood, paper, cardboard, coal, etc.) be used in this appliance.
15. The appliance area must be kept clear and free of combustible materials, (gases and other flammable vapours and liquids).

Emissions from burning wood or gas could contain chemicals known to the State of California to cause cancer, birth defects or other reproductive harm.

INSTALLATION CHECKLIST

1. Locate appliance, refer to the following sections:
 - a) Locating Your Gas Fireplace
 - b) Combustible Mantels
 - c) Unit Base Stand-offs
 - d) Framing & Finishing
 - e) Facing Requirements
 - f) Hearth Requirements
 - g) Venting
2. Assemble Top Standoffs, page 9. (Refer to the "Unit Assembly Prior to Installation" section.)
NOTE: must be done before installing unit into fireplace.
3. Install vent, refer to the "Venting" section.
4. Install 4-AA batteries into receiver. This will enable operation of appliance manually when in "ON" position.
6. Make gas and electrical connections. Test the pilot. Must be as per diagram. Refer to the "Pilot Adjustment" section.
7. Install standard and optional features. Refer to the following sections where applicable:
 - a. Brick Panels
 - b. Log Set Installation
 - c. Arch Surround
 - d. Glass Door Installation
 - e. Remote receiver and wall switch
 - f. Install 1 AA battery into DC spark box (See instructions in manual)
8. Final check.

Before leaving this unit with the customer, the installer must ensure that the appliance is firing correctly and **operation fully explained to customer.**

This includes:

1. Clocking the appliance to ensure the correct firing rate (rate noted on label 35,000 Btu/h) after burning appliance for 15 minutes.
2. If required, adjusting the primary air to ensure that the flame does not carbon. First allow the unit to burn for 15-20 min. to stabilize.

CAUTION: Any alteration to the product that causes sooting or carboning that results in damage is not the responsibility of the manufacturer.

LOCATING YOUR GAS FIREPLACE

1. When selecting a location for your fireplace, ensure that the clearances outlined on this page are met.
2. Provide adequate clearances for servicing.
3. The appliance must be installed on a flat, solid, continuous surface (e.g. wood, metal, concrete). This may be the floor, or raised up on a platform to enhance its visual impact. If the appliance is going to be installed on carpeting, combustible linoleum tile or other combustible material other than wood flooring, the appliance must be installed on a metal or wood panel extending the full width and depth of the appliance.
4. The P90 Direct Vent Gas Fireplace can be installed in a recessed position or framed out into the room as in A, B, C, D. See Diagram 1.

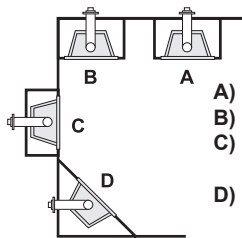


Diagram 1

5. This appliance is Listed for bedroom installations when used with a Listed Millivolt Thermostat. Some areas may have further requirements, check local codes before installation.
6. The P90 Direct Vent Gas Fireplace is approved for alcove installations, which meet the clearances listed on this page.
7. We recommend that you plan your installation on paper using exact measurements for clearances and floor protection before actually installing this appliance. Have a qualified inspector, dealer, or installer review your plans before installation.

Note: For vent terminations see the "Exterior Vent Termination Locations" section.

MANUFACTURED MOBILE HOME ADDITIONAL REQUIREMENTS

1. Ensure that structural members are not cut or weakened during installation.
2. Ensure proper grounding using the #8 ground lug provided. See the "Wiring Diagram" section.



HEATWAVE DUCT SYSTEM OPTIONAL KIT #946-556

The **HeatWave** Air Duct Kit increases the effectiveness of your fireplace by dispersing warm air from the fireplace to remote locations in the same room or other rooms in your home.

Up to two kits may be installed on the fireplace. **Please Note:** Only 1 HeatWave kit may be operated at one time. This includes the internal blower option as well.

OPTIONAL HEAT RELEASE KIT #946-570

The Heat Release Kit expels warm air from the fireplace to the outside of the building, allowing the fireplace to be operated with less heat entering the room. The kit may be used on either the left or right side.

CLEARANCES

The clearances listed below are Minimum distances unless otherwise stated:

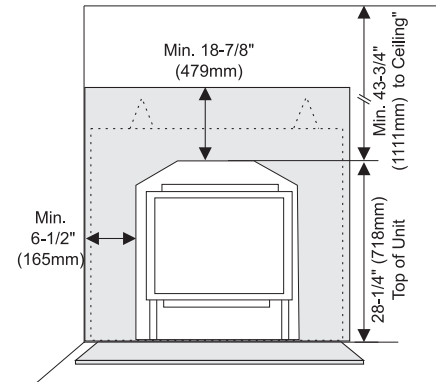
A major cause of chimney related fires is failure to maintain required clearances (air space) to combustible materials. It is of the greatest importance that this fireplace and vent system be installed only in accordance with these instructions.

Clearance to Combustibles from:

Back	0"	(0mm)
Side	0"	(0mm)
Floor	0"	(0mm)

NOTE: The minimum floor clearance must be maintained from the top surface of the carpeting, tile, etc.

See Hearth Requirements in this manual.



Side Wall Clearance 6-1/2" (165mm)

Horizontal Vent Clearances

Top	2-1/2"	(64mm)
Side	1-1/2"	(38mm)
Bottom	1-1/2"	(38mm)

Vertical Vent Clearances 1-1/4" (32mm)

Alcove Clearances**:

Max. Depth	36"	(914mm)
Min. Width	72"	(1829mm)
Min. Height	72"	(1829mm)

* see mantle clearance instructions (Refer to the "Combustible Mantels" section).

WARNING:
Fire hazard is an extreme risk if these clearances are not adhered to.

Clearances for HeatWave and Heat Release Kit

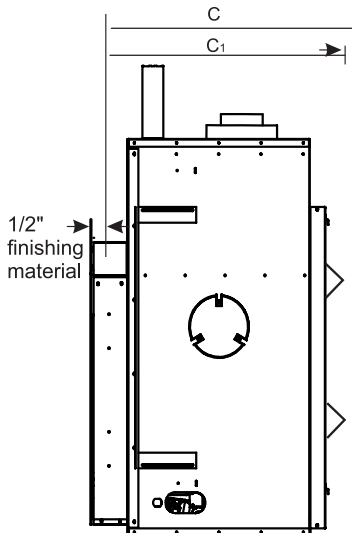
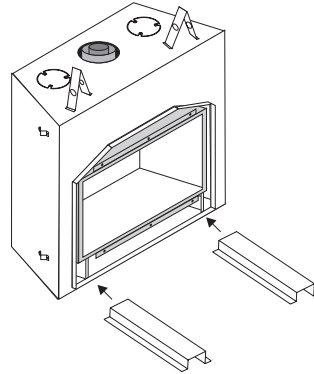
The **HeatWave** Duct Kit and the Heat Release Kit have different clearance and framing requirements, check the **HeatWave** and Heat Release manual for details.

UNIT BASE STAND-OFFS

To accommodate varying thicknesses and finishes of hearth materials, we have increased the overall height of the appliance by a further 1 1/8". This increase is added with the inclusion of two stand-offs at the bottom of the unit, below the outer box, taking the overall height of the framing dimensions from 45-1/4" up to 46-3/8".

In the event that you should choose to use thinner materials to finish the hearth, you can omit the stand-offs provided for raising the unit. However, we recommend that you leave the framing dimensions as they are in the manual and alter only the facing requirement by reducing it by the same distance that you have lowered the unit.

Insert the 2 unit base stand-offs underneath the unit as shown in the diagram below. Space the stand-offs centrally, approximately 2 or 2-1/2 feet apart. Ensure that the unit is not unstable.



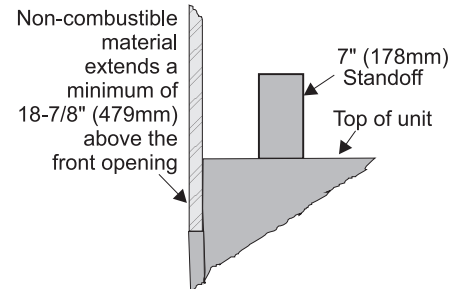
1/8" clearance from standoff - wall

C = 21-1/2" - min. depth required
C₁ = 21-3/8" - C₁ + Finishing material thickness

Note: After unit is framed in, steel studs can be used inside of the wood framing to attach the noncombustible material. An optional steel stud framing kit is available for this purpose—see manual for details. If choosing not to purchase this kit, steel studs can be used in place—to attach the non combustibile material. Use the optional steel stud kit instructions as a guide.

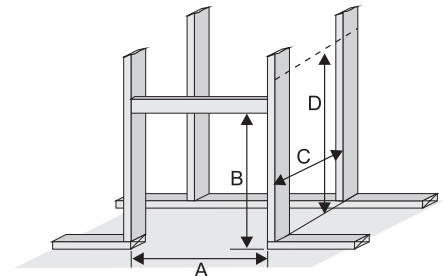
FRAMING AND FINISHING

1. Determine the total thickness of facing material (e.g. drywall plus ceramic tiles) to allow the finished surface to be flush with the front of the unit. Total facing thickness can vary from 1/2" (13mm) to 3-3/8" (86mm) thick.



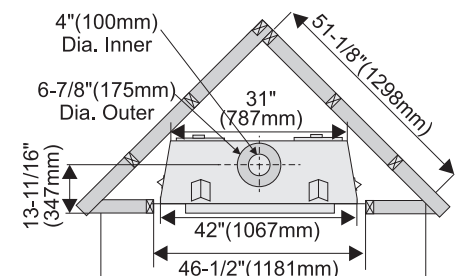
Install Top Standoffs & Side Nailing Strips before unit is slipped into position. See the "Unit Assembly Prior to Installation" section for assembly details.

2. Frame in the enclosure for the unit with framing material. The framed opening is 45-1/4" high (46-3/8" - if using base standoffs) x 46-1/2" wide x 21-1/2" deep (1149mm high x 1181mm wide x 546mm deep).



Framing Dimensions			
A	B	C	D
46-1/2" 1181mm	45-1/4" 1149mm	21-1/2" 546mm	53-3/4" 1365mm
	*46-3/8" 1178mm		

*If raised 1-1/8" using base standoffs.



3. For exterior walls, insulate the enclosure to the same degree as the rest of the house, apply vapour barrier and drywall, as per local installation codes. (Do not insulate the fireplace itself.)

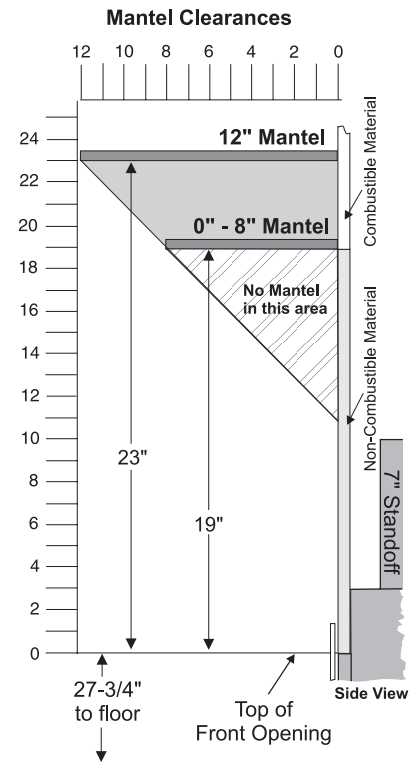
COMBUSTIBLE MANTELS

Because of the extreme heat this fireplace emits, the mantel clearances are critical. Combustible mantel clearances from top of unit are shown in Diagram below.

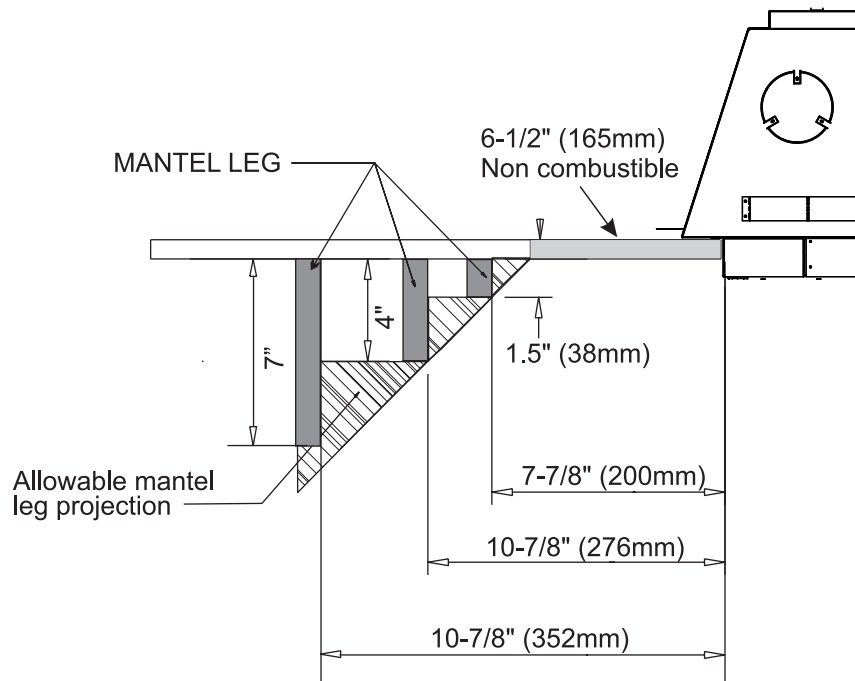
Note: A non-combustible mantel may be installed at a lower height if the framing is made of metal studs covered with a non-combustible board.

Mantel can be installed anywhere in shaded area or higher using the above scale.

Note: Ensure the paint that is used on the mantel and the facing is "heat resistant" or the paint may discolour.

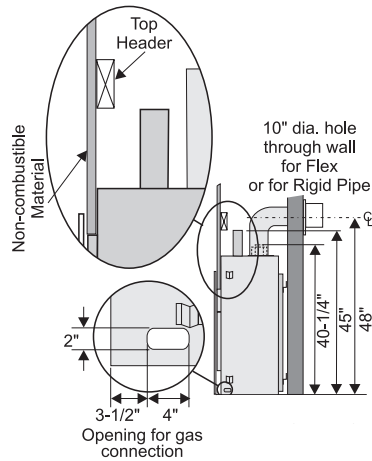


MANTEL LEG CLEARANCE



4. **Note:** The unit does not have to be completely enclosed in a chase. The clearance on top of the unit is 0" to the standoffs so combustible building materials can be laid directly on top of the standoffs. You must maintain clearance from the vent to combustible materials for both rigid and flex, see the "Clearances" section.

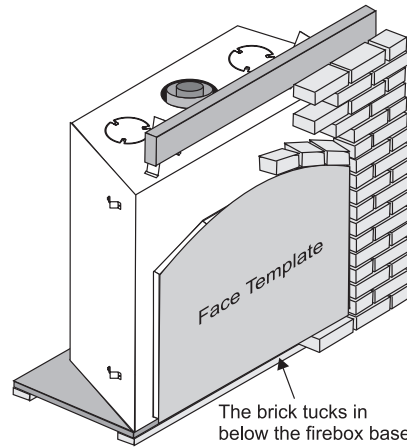
Note: 48" (11219mm) is the minimum height for both flex termination or Rigid Pipe venting.



Heat Wave The *HeatWave* Duct Kit has different clearance and framing requirements, check the *HeatWave* manual for details.

Facing Over 3-3/8" (86mm) Thick

If the facing material is over 3-3/8" (86mm) thick (example: brick or river rock), install the facing around the perimeter of the face. You may wish to make a face template as shown on the diagram.



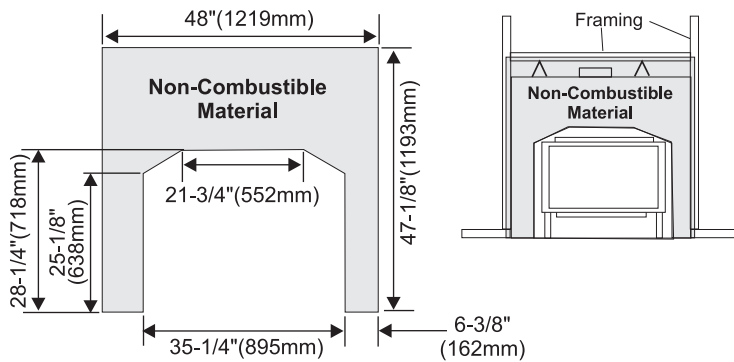
Regency provides a template on the box.

NOTE: If using a brick hearth, the fireplace will need to be raised to accommodate the brick thickness. Example: If the brick is 2" thick, the unit must be raised 1".

FACING REQUIREMENT

This fireplace requires a non-combustible material extending from the framing header and sides.

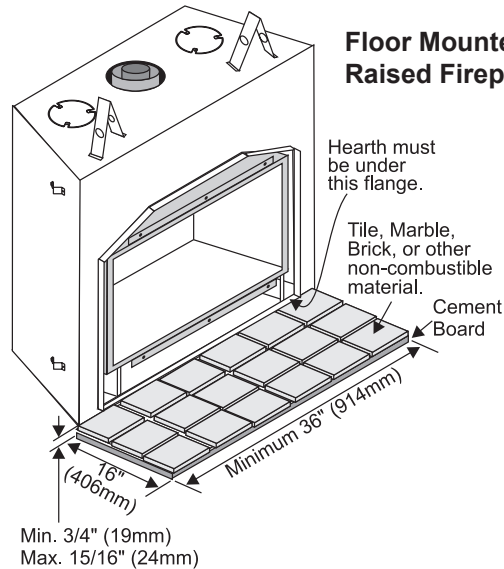
The flanges on the front face of the fireplace are for a facing thickness of 3-3/8" (86mm).



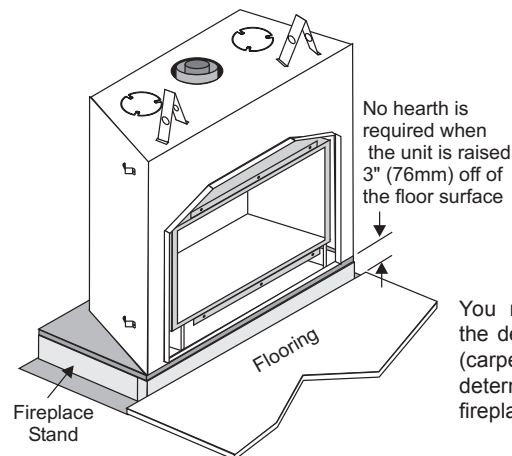
Please note that all vertical measurements are taken from the base of the unit **excluding** risers or bottom stand-offs.

HEARTH REQUIREMENTS

Floor Mounted Fireplaces Raised Fireplaces



Min. 3/4" (19mm)
Max. 15/16" (24mm)

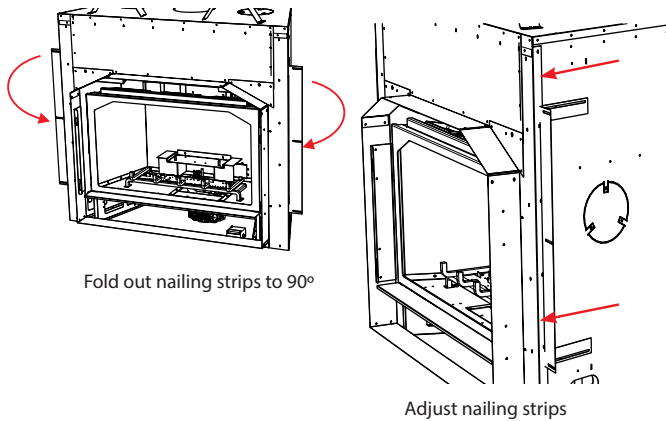


You must take into account the depth of the floor covering (carpet, tile, linoleum, etc.) when determining the height of the fireplace stand.

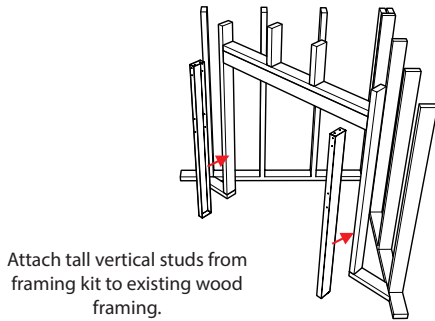
OPTIONAL FRAMING KIT

An optional framing kit is available to facilitate easier installation of the noncombustible board. The optional framing kit is to be installed within the existing wood framing. The framed opening is 46-1/2" wide x 45-1/4" high or 46-3/8" high if using the base stand-offs and 21-1/2" deep. See instruction manual for complete details.

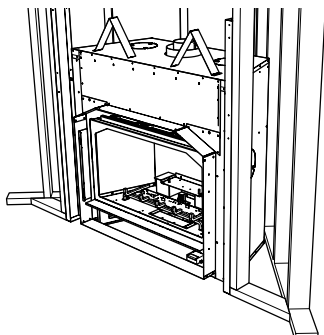
1. Fold out side nailing strips from the side of the unit to 90° as shown below.
Determine the overall combined thickness of the non-combustible board + finished material being used. The nailing strips can be adjusted up to 3-3/8".



2. Adjust the nailing strips by loosening 2 screws on each nailing strip - adjust and retighten screws.

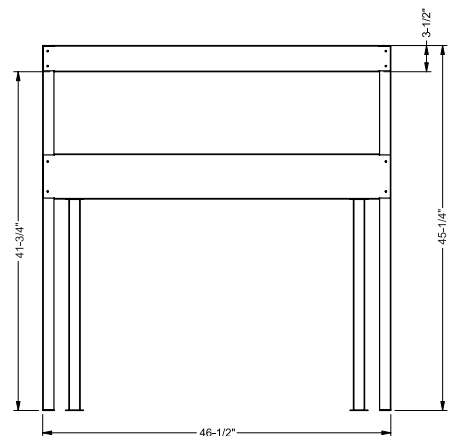
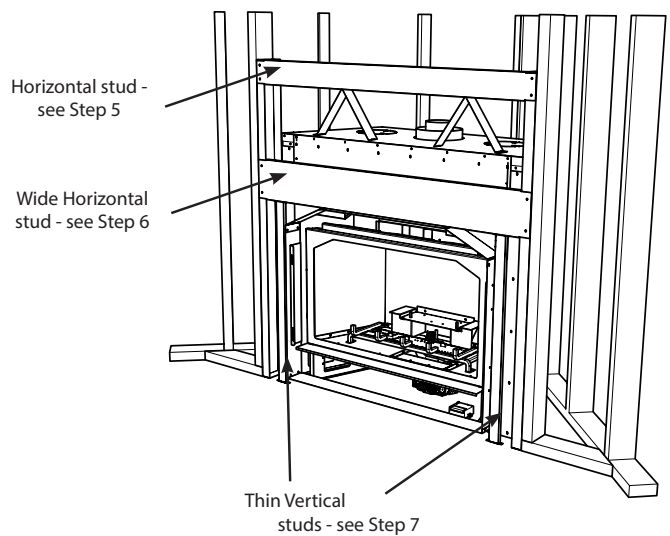


3. Attach both vertical studs and secure using pointed wood screws to penetrate steel studs to secure. There are 6 screws which are not provided. (2 at bottom, 2 at top and 2 on sides).



NOTE: Ensure the flat side of the steel stud is facing the wood framing.

4. Slide the unit into position. Hook up gas, venting and electrical prior to installing the remaining steel studs.
5. Secure the top horizontal steel stud as shown with 2 screws per side.
6. Secure the wide horizontal stud with 2 screws per side.
7. Secure 2 thin vertical studs on either side of the appliance with 4 screws each. Above screws are provided.



Framing kit dimensions

**WALL MOUNT ON / OFF SWITCH AND REMOTE RECEIVER INSTALLATION
REQUIRED FOR ALL INSTALLATIONS - INCLUDING PROFLAME REMOTE CONTROLS**

IMPORTANT INSTALLATION NOTE:

The Receiver must be placed inside the supplied (Low Voltage) junction type wall box and installed into the wall only.

DO NOT INSTALL WITHIN THE CONFINES OF THE FIREPLACE.

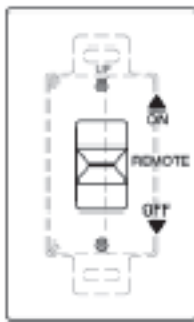
Remote Receiver Installation

1. Install the low voltage junction box to the framing, at desired location within 10 ft. from fireplace.
2. Feed the 12 pin connector through the opening at back of junction box.
3. Connect the 12 pin connector to the back of the receiver.
4. Install the Receiver in the Low Voltage Junction box.
5. Insert the 4 AA type batteries in the battery compartment with the correct polarity.
6. Place the slider into the cover plate.
7. Put the Receiver switch in the "OFF" position, to allow correct lineup for slider switch.
8. Make sure the Receiver and cover plate words "ON" and "UP" are on the same side.
9. Align the slider with the switch on the Receiver and couple the switch into the slider.
10. Align the screw holes.
11. Using the two (2) screws provided secure the cover plate to the Receiver.

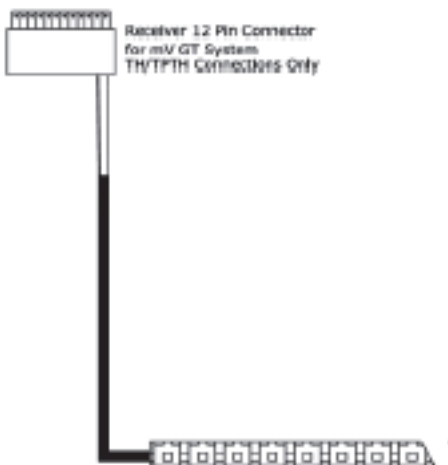
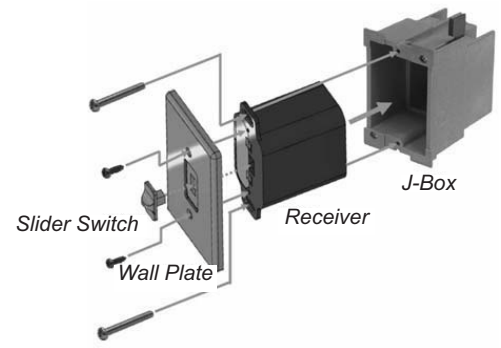


Low Voltage Junction Box

Proflame Receiver



Receiver Wall Mount



10 ft. wire harness with 12 pin connector

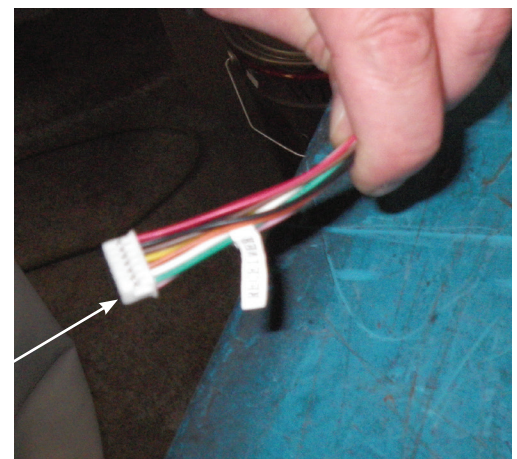


Diagram 1

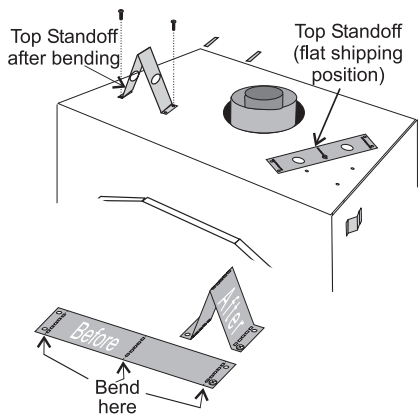
UNIT ASSEMBLY PRIOR TO INSTALLATION

The 2 Top Standoffs must be correctly positioned and attached to the top before unit is slipped into position.

Top Standoff Assembly

The top standoffs are shipped in a flat position and must be folded into shape and attached.

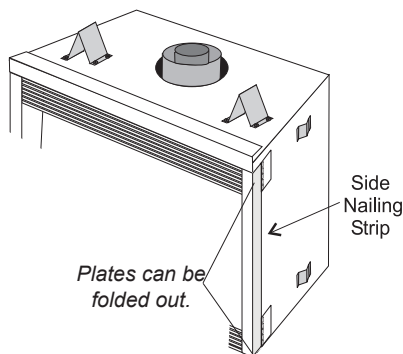
1. Remove the standoffs from the fireplace top.
2. Take each standoff and bend into the correct shape. Bend up at the bend lines until the screw holes in the standoff and the pre-punched screw holes on the fireplace top line up.
3. Attach the standoff securely to the top with



2 screws per standoff (on opposite corners).

Side Nailing Strips

The side nailing strips come attached to the unit. There are 2 plates, one on the top and bottom that can be folded out as required.



VENTING INTRODUCTION

The P90 uses the "balanced flue" technology Co-axial system. The inner liner vents products of combustion to the outside while the outer liner draws outside combustion air into the combustion chamber thereby eliminating the need to use heated room air for combustion and losing warm room air up the chimney.

Note: *These flue pipes must not be connected to any other appliance.*

The gas appliance and vent system must be vented directly to the outside of the building, and never be attached to a chimney serving a separate solid fuel or gas burning appliance. Each direct vent gas appliance must use it's own separate vent system. Common vent systems are prohibited.

VENTING

FPI Direct Vent System (Flex) Horizontal Terminations Only

These venting systems, in combination with the P90 Direct Vent Gas Fireplace, have been tested and listed as a direct vent heater system by Warnock Hersey/Intertek. The location of the termination cap must conform to the requirements in the Vent Terminal Locations diagram in the "Exterior Vent Termination Locations" section.

FPI Direct Vent (Flex) System Termination Kit (Part # 946-515. includes all the parts needed to install the P90 with a maximum run of 4 feet.

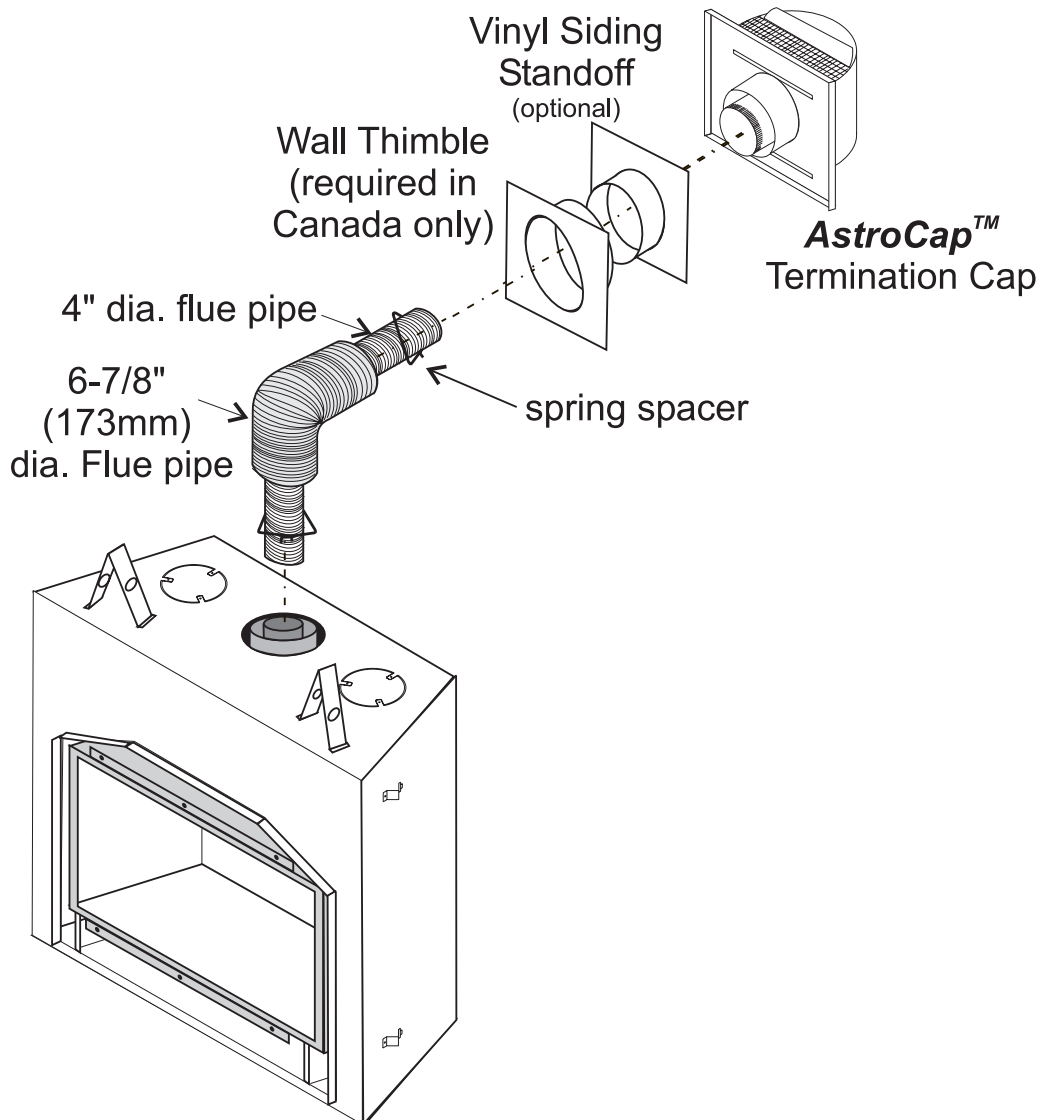
1. 6-7/8" dia. flexible liner (4 ft. length)
2. 4" dia. flexible liner (4 ft. length)
3. spring spacers (4)
4. thimble (2)
5. **AstroCap** termination cap (1)
6. screws (12)
7. tube of Mill Pac (1)
8. plated screws (8)
9. screws #8 x 1-1/2" Drill Point, Stainless Steel (4)

If a longer run is needed, the FPI Direct Vent system (Flex) kit is 946-516 which includes all the parts needed to install the P90 with a maximum 10' run.

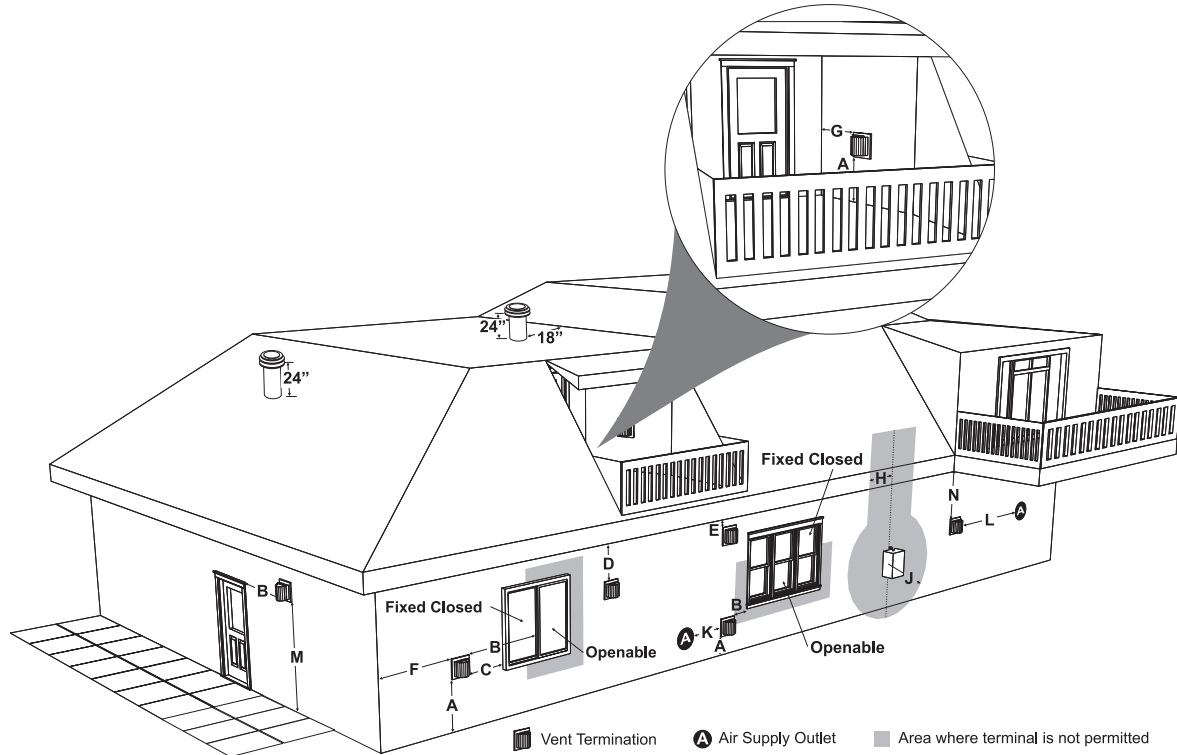
1. 6-7/8" dia. flexible liner (10 ft. length)
2. 4" dia. flexible liner (10 ft. length)
3. spring spacers (7)
4. thimble (2)
5. **AstroCap** termination cap (1)
6. screws (12)
7. tube of Mill Pac (1)
8. plated screws (8)
9. screws #8 x 1-1/2" Drill Point, Stainless Steel (4)

Notes:

1. Liner sections should be continuous without any joints or seams.
2. Only Flex pipe purchased from FPI may be used for Flex installations.
3. Horizontal vent must be supported every 3 feet.



EXTERIOR VENT TERMINATION LOCATIONS



Minimum Clearance Requirements		Canada ¹	USA ²
A	Clearance above grade, veranda, porch, deck, or balcony	12"(30cm)	12"(30cm)
B	Clearance to window or door that may be opened	12"(30cm)	9" (23cm)
C	Clearance to permanently closed window	*	*
D	Vertical clearance to ventilated soffit located above the terminal within a horizontal distance of 2 feet (61cm) from the center line of the terminal (check with the local code)	18"(46cm)	18"(46cm)
E	Clearance to unventilated soffit	15"(38cm)	15"(38cm)
F	Clearance to outside corner: with AstroCap Termination Cap.	6"(15cm)	6"(15cm)
	Clearance to outside corner: with all other approved Termination Caps.	14"(36cm)	14"(36cm)
G	Clearance to inside corner: with AstroCap Termination Cap	6"(15cm)	6"(12cm)
	Clearance to inside corner: with all other approved Termination Caps.	12"(30cm)	12"(30cm)
H	Clearance to each side of center line extended above meter/regulator assembly	36"(90cm) ^a	*
J	Clearance to service regulator vent outlet	36"(90cm)	*
K	Clearance to non-mechanical air supply inlet to building or the combustion air inlet to any other appliance	12"(30cm)	9" (23cm)
L	Clearance to a mechanical air supply inlet #3' (91cm) above if within 10' (3m) horizontally.	72"(1.8m)	36"(90cm) ^b
M	Clearance above paved sidewalk or a paved driveway located on public property	84"(2.1m) [†]	*
N	Clearance under veranda, porch, deck, or balcony	12"(30cm) [‡]	*

¹ In accordance with current CSA B149.1, Natural Gas and Propane Installation Code
² In accordance with the current ANSI Z223.1/NFPA 54, National Fuel Gas Code
[†] A vent shall not terminate directly above a sidewalk or paved driveway which is located between two single family dwellings and serves both dwellings
[‡] Permitted only if veranda, porch, deck, or balcony is fully open on a minimum of two sides beneath the floor
* Clearance in accordance with local installation codes and the requirements of the gas supplier
^a 3 feet (91cm) within a height of 15 feet (4.5m) above the meter / regulator assembly
^b 3 feet (91cm) above - if within 10 feet (3m) horizontally

4" X 6-5/8" RIGID PIPE CROSS REFERENCE CHART

Components from different Manufacturers may not be mixed. Not All Rigid Pipe components are available directly from FPI.

Description	Simpson Direct Vent Pro®	Selkirk Direct Temp™	American Metal Products® Amerivent Direct	Metal-Fab™ Sure Seal	Security Secure-Vent®	ICC Excel Direct
6" Pipe Length-Galvanized	46DVA-06	4DT-6	N/A	4D6	SV4L6	TC-4DL6
6" Pipe Length-Black	46DVA-06B	4DT-6B	N/A	4D6B	SV4LB6	TC-4DL6B
7" Pipe Length-Galvanized	N/A	N/A	4D7	N/A	N/A	N/A
7" Pipe Length-Black	N/A	N/A	4D7B	N/A	N/A	N/A
9" Pipe Length-Galvanized	46DVA-09	4DT-9	N/A	N/A	N/A	TC-4DL9
9" Pipe Length-Black	46DVA-09B	4DT-9B	N/A	N/A	N/A	TC-4DL9B
12" Pipe Length-Galvanized	46DVA-12	4DT-12	4D12	4D12	SV4L12	TC-4DL1
12" Pipe Length-Black	46DVA-12B	4DT-12B	4D12B	4D12B	SV4LB12	TC-4DL1B
18" Pipe Length-Galvanized	46DVA-18	4DT-18	4D18	4D18	SV4LA	TC-4DL18
18" Pipe Length-Black	46DVA-18B	4DT-18B	4D18B	4D18B	SV4LA	TC-4DL18B
24" Pipe Length-Galvanized	46DVA-24	4DT-24	4D24	4D24	SV4L24	TC-4DL2
24" Pipe Length-Black	46DVA-24B	4DT-24B	4D24B	4D24B	SV4LB24	TC-4DL2B
36" Pipe Length-Galvanized	46DVA-36	4DT-36	4D36	4D36	SV4L36	TC-4DL3
36" Pipe Length-Black	46DVA-36B	4DT-36B	4D36B	4D36B	SV4LB36	TC-4DL3B
48" Pipe Length-Galvanized	46DVA-48	4DT-48	4D48	4D48	SV4L48	TC-4DL4
48" Pipe Length-Black	46DVA-48B	4DT-48B	4D48B	4D48B	SV4LB48	TC-4DL4B
60" Pipe Length-Galvanized	46DVA-60	4DT-60	N/A	N/A	N/A	N/A
60" Pipe Length-Black	46DVA-60B	4DT-60B	N/A	N/A	N/A	N/A

Adjustable Length 3"-10"-Galvanized	N/A	N/A	N/A	4DAL	N/A	TC-4DLT
Adjustable Length 3"-10"-Black	N/A	N/A	N/A	4DALB	N/A	TC-4DLTB
Adjustable Length 7"-Galvanized	N/A	N/A	4D7A	N/A	N/A	N/A
Adjustable Length 7"-Black	N/A	N/A	4D7AB	N/A	N/A	N/A
Extension Pipe 8-1/2"-Galvanized	46DVA-08A	N/A	N/A	N/A	N/A	N/A
Extension Pipe 8-1/2"-Black	46DVA-08AB	N/A	N/A	N/A	N/A	N/A
Adjustable Length 12"-Galvanized	N/A	N/A	4D12A	N/A	SV4LA12	TC-4dLSI
Adjustable Length 12"-Black	N/A	N/A	4D12A	N/A	SV4LBA12	TC-4dLSIB
Extension Pipe 16"-Galvanized	46DVA-16A	N/A	N/A	N/A	N/A	N/A
Extension Pipe 16"-Black	46DVA-16AB	N/A	N/A	N/A	N/A	N/A

45° Elbow-Galvanized	46DVA-E45	4DT-EL45	4D45L	N/A	N/A	TE-4DE45
45° Elbow-Black	46DVA-E45B	4DT-EL45B	4DT-EL45B	N/A	N/A	TE-4DE45B
45° Elbow Swivel-Galvanized	See 46DVA-E45	N/A	N/A	4D45L	SV4E45	N/A
45° Elbow Swivel-Black	See 46DVA-E45B	N/A	N/A	4D45LB	SV4EB45	N/A
90° Elbow-Galvanized	46DVA-E90	4DT-EL90S	4DT-EL90S	N/A	N/A	TE-4DE90
90° Elbow-Black	46DVA-E90B	4DT-EL90SB	4DT-EL90SB	N/A	SV4EBR90-1	TE-4DE90B
90° Elbow, Swivel-Galvanized	See 46DVA-E90	N/A	N/A	4D90L	SV4E90-1	N/A
90° Elbow, Swivel-Black	See 46DVA-E90B	N/A	N/A	4D90LB	SV4EB90-1	N/A
90° Starter Elbow, Swivel-Galvanized	N/A	N/A	N/A	4D90A	N/A	N/A
Adaptor*	N/A	N/A	N/A	4D90L	N/A	N/A

Ceiling Support	N/A	4DT-CS	4DSP	4DFSP	SV4SD	TM4-RDS
Cathedral Support Box	46DVA-CS	4DT-CSS	4DRSB	4DRS	SV4CSB	TM4-SDS
Wall Support/Band	46DVA-WS	4DT-WS/B	4DWS	4DWS	SV4BM	TM-SWS
Offset Support	46DVA-ES - N/A from FPI	4DT-OS	N/A	N/A	SV4SU	TM-SOS
Wall Thimble-Black	46DVA-WT	4DT-WT	4DWT	4DWT	SV4RSM	N/A
Wall Thimble Support/Ceiling Support	46DVA-DC	N/A	N/A	N/A	SV4PF	N/A
Firestop Spacer	46DVA-FS	4DT-FS	4DFSP	4DFS	SV4BF	TM-4CS
Trim Plate-Black	N/A	4DT-TP	4DFPB	4DcP	SV4LA	TM-4TP

Description	Simpson Direct Vent Pro®	Selkirk Direct Temp™	American Metal Products® Amerivent Direct	Metal-Fab™ Sure Seal	Security Secure- Vent®	ICC Excel Direct
Attic Insulation Shield 12"	46DVA-IS N/A@ FPI	N/A	4DAIS12	N/A	SV4RSA	N/A
Attic Insulation Shield - Cold Climates 36"	N/A	N/A	4DAIS12	N/A	N/A	TM-4AS

Basic Horizontal Termination Kit (A)	Disc.	4DT-HKA	4DHTK2	4DHTKA	SV-SHK	TM4-HTK
Horizontal Termination Kit (B)	46DVA-KHA (Changed Components)	4DT-HKB	4DHTK1	4DHTKB	SV-HK	TM4-HTK
Vertical Termination Kit	Disc.	4DT-VKC	4DHTK	4DHTK	SV-FK	N/A

High Wind Vertical Cap	46DVA-VCH	N/A	N/A	N/A	N/A	TM-4VT
High Wind Horizontal Cap	46DVA-HC	N/A	N/A	N/A	N/A	TM-4DHT
Horizontal Square Termination Cap	See 46DVA-HC	4DT-HHC	4DHC	4DHT	SV4CHC-1	TM-4HT
Vertical Termination Cap	46DVA-VC	4DT-HVC	4DVC	4DVT	SV4CGV-1	N/A
Storm Collar	46DVA-08A	4DT-SC	4DSC	4DSC	SV4FC	TM-SC

Adjustable Flashing 0/12-6/12	46DVA-F6	4DT-ST14	4D12S	4DST14	SV4STC14	TF-4FA
Adjustable Flashing 6/12-12/12	46DVA-FLA	4DT-ST36	4D36S	4DST36	SV4STC36	TF-4FB

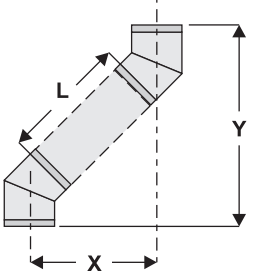
Vinyl Siding Standoff	46DVA-VSS	4DT-VS	N/A	4DVS	SV4VS	TM-VSS
Vinyl Siding Shield Plate	N/A	4DT-VSP	N/A	N/A	SV4VS	N/A

Snorkel Termination 14"	46DVA-SNKL	N/A	N/A	N/A	N/A	TM-4ST14
Snorkel Termination 36"	N/A	N/A	N/A	N/A	N/A	TM-4ST36

Restrictor Disk	N/A	N/A	N/A	N/A	N/A	TM-4DS
Extended Vertical Termination Cap	N/A	N/A	N/A	N/A	N/A	N/A
Chimney Conversion Kit A (USA only)	46DVA-KCA	N/A	N/A	N/A	N/A	TM-4CA6
Chimney Conversion Kit B (USA only)	46DVA-KCB	N/A	N/A	N/A	N/A	TM-4CA7
Chimney Conversion Kit C (USA only)	46DVA-KCC	N/A	N/A	N/A	N/A	TM-4CA8
Chimney Conversion Kit Masonry (USA only)	46DVA-KMC	N/A	N/A	N/A	N/A	N/A
Wall Firestop	46DVA-WFS	N/A	N/A	N/A	N/A	TM-4TR
Collinear Flex Connectors	46DVA-ADF	N/A	N/A	N/A	N/A	N/A

FPI			
946-506/P	Vent Guard (Optional) for AstroCap	946-205	Vinyl Siding Shield for Riser Vent Terminal
510-994	Rigid Pipe Adaptor (Must use with all rigid piping)	946-208/P	Vent Guard (Optional) for Riser Vent Terminal
640-530/P	Riser Vent Terminal	946-523/P	AstroCap Horizontal Cap
946-605	Starter Collar Increaser 4" x 6-5/8" to 5" x 8"	946-206	Vinyl Siding Standoff for AstroCap

Note: When using Metal-Fab Sure Seal Rigid Piping - please note that the Adaptor (4DDA) must be used in conjunction with FPI Rigid Pipe Adaptor (510-994).

Offset Pipe Selection: Use this table to determine offset pipe lengths.				
Pipe Length (L)	4" x 6-5/8" Venting			For specific instructions on venting components - visit the manufacturers website listed below. Simpson Direct Vent Pro: www.duravent.com Selkirk Direct-Temp: www.selkirkcorp.com American Metal Products: www.americanmetalproducts.com Metal-Fab Sure Seal: www.mtlfab.com Security Secure Vent: www.securitychimneys.com Industrial Chimney Company: www.icc-rsf.com
	Run (X)	Rise (Y)		
0" (0mm)	4-7/8" (124mm)	13-7/8" (340mm)		
6" (152mm)	8" (203mm)	16-1/2" (419mm)		
9" (229mm)	10-1/8" (257mm)	18-5/8" (473mm)		
12" (305mm)	12-1/4" (311mm)	20-3/4" (527mm)		
24" (610mm)	20-5/8" (524mm)	29-1/8" (740mm)		
36" (914mm)	29" (737mm)	37-1/2" (953mm)		
48" (1219mm)	37-7/16" (951mm)	45-15/16" (1167mm)		

Note: Horizontal runs of vent must be level, or have a 1/4" rise for every 1 foot of run towards the termination. Never allow the vent to run downward - this could cause high temperatures and may present a possible fire hazard.

5" X 8" RIGID PIPE CROSS REFERENCE CHART

Components from different Manufacturers may not be mixed. Not All Rigid Pipe components are available directly from FPI.

Description	Simpson Direct Vent Pro®	Selkirk Direct Temp™	Metal-Fab™ Sure Seal	ICC Excel Direct
6" Pipe Length-Galvanized	58DVA-06	5DT-6	5D6	TC-5DL6
6" Pipe Length-Black	58DVA-06B	5DT-6B	5D6B	TC-5DL6B
9" Pipe Length-Galvanized	58DVA-09	5DT-9	N/A	TC-5DL9
9" Pipe Length-Black	58DVA-09B	5DT-9B	N/A	TC-5DL9B
12" Pipe Length-Galvanized	58DVA-12	5DT-12	5D12	TC-5DL1
12" Pipe Length-Black	58DVA-12B	5DT-12B	5D12B	TC-5DL1B
18" Pipe Length-Galvanized	58DVA-18	5DT-18	5D18	TC-5DL18
18" Pipe Length-Black	58DVA-18B - N/A from FPI	5DT-18B	5D18B	TC-5DL18B
24" Pipe Length-Galvanized	58DVA-24	5DT-24	5D24	TC-5DL2
24" Pipe Length-Black	58DVA-24B	5DT-24B	5D24B	TC-4DL2B
36" Pipe Length-Galvanized	58DVA-36	5DT-36	5D36	TC-5DL3
36" Pipe Length-Black	58DVA-36B	5DT-36B	5D36B	TC-5DL3B
48" Pipe Length-Galvanized	58DVA-48	5DT-48	5D48	TC-5DL4
48" Pipe Length-Black	58DVA-48B	5DT-48B	5D48B	TC-5DL4B
60" Pipe Length-Galvanized	58DVA-60	N/A	N/A	N/A
60" Pipe Length-Black	58DVA-60B - N/A from FPI	N/A	N/A	N/A

Adjustable Length 3"-10"-Galvanized	N/A	N/A	5DAL	TC-5DLT
Adjustable Length 3"-10"-Black	N/A	N/A	5DALB	TC-5DLTB
Adjustable Length 11"-14" -Galvanized	Disc. - See 58DV-08A	5DT-AJ	N/A	N/A
Adjustable Length 11"-14" -Black	Disc. - See 58DV-08B	5DT-AJB	N/A	N/A
Extension Pipe 17"-24" -Galvanized	Disc. - See 58DV-16A	N/A	N/A	N/A
Extension Pipe 17"-24" -Black	Disc. - See 58DV-16AB	N/A	N/A	N/A
Adjustable Length 8-1/2"-Galvanized	58DVA-08A - N/A from FPI	N/A	N/A	N/A
Adjustable Length 8-1/2"-Black	58DVA-08AB	N/A	N/A	N/A
Extension Pipe 16"-Galvanized	58DVA-16A - N/A from FPI	N/A	N/A	N/A

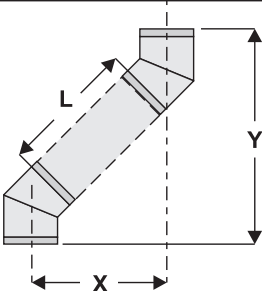
45° Elbow-Galvanized	58DVA-E45	5DT-EL45	5DT-EL45	TE-5DE45
45° Elbow-Black	58DVA-E45B	5DT-EL45B	5DT-EL45B	TE-5DE45B
45° Elbow Swivel-Galvanized	Disc. - See 58DVA-E45	N/A	N/A	N/A
45° Elbow Swivel-Black	Disc.-See 58DVA-E45B	N/A	N/A	N/A
90° Elbow-Galvanized	58DVA-E90	5DT-EL90S	5DT-EL90S	TE-5DE90
90° Elbow-Black	58DVA-E90B	5DT-EL90SB	5DT-EL90SB	TE-5DE90B
90° Elbow, Swivel-Galvanized	Disc. - See 46DVA-E45	N/A	N/A	N/A
90° Elbow, Swivel-Black	Disc. - See 46DVA-E45	N/A	N/A	N/A
90° Starter Elbow, Swivel-Galvanized	N/A	N/A	N/A	N/A
Adaptor*	N/A	N/A	N/A	N/A

Ceiling Support	58DVA-DC	5DT-CS	5DSP	TM-5RDS
Cathedral Support Box	58DVA-CS	5DT-CSS	5DRS	TM-5SS
Wall Support/Band	58DVA-WS	5DT-WS/B	5DWS	TM-5WS
Offset Support	58DVA-ES - N/A from FPI	5DT-OS	N/A	TM-5OS
Wall Thimble-Black	58DVA-WT	5DT-WT	5DWT	N/A
Wall Thimble Support/Ceiling Support	58DVA-DC - N/A from FPI	N/A	N/A	N/A
Firestop Spacer	58DVA-FS	5DT-FS	5DFS	TM-5LS
Trim Plate-Black	58DAV-WFS	5DT-TP	5DCP	TM-5TP

Description	Simpson Direct Vent Pro®	Selkirk Direct Temp™	Metal-Fab™ Sure Seal	ICC Excel Direct
Attic Insulation Shield 12"	58DVA-IS N/A from FPI	N/A	N/A	N/A
Basic Horizontal Termination Kit (A)	N/A	5DT-HKA	N/A	TM-5HTK
Horizontal Termination Kit (B)	58DVA-KHA	5DT-HKB	N/A	TM-5HTK
Vertical Termination Kit	58DVA-VHA	5DT-VKC	N/A	N/A
High Wind Vertical Cap	58DVA-VCH	N/A	N/A	TM-5VT
High Wind Horizontal Cap	N/A	N/A	N/A	TM-5DHT
Horizontal Square Termination Cap	N/A	5DT-HHC	5DHT	TM-5HT
Vertical Termination Cap	N/A	5DT-HVC	5DVT	N/A
Storm Collar	58DVA-SC	5DT-SC	5DSC	TM-SC
Adjustable Flashing 0/12-6/12	58DVA-F6	5DT-AF6	5DF	TF-5FA
Adjustable Flashing 6/12-12/12	58DVA-F12	5DT-AF12	5DF1-2	TF-5FB
Vinyl Siding Standoff	58DVA-VSS	5DT-VS	5DVS	TM-VSS
Vinyl Siding Shield Plate	N/A	5DT-VSP	N/A	N/A
Snorkel Termination 14"	58DVA-SNK14	N/A	N/A	TM-5ST14
Snorkel Termination 36"	58DVA-SNK36 (N/A - FPI)	N/A	N/A	TM-5ST36
Restrictor Disk	58DVA-RD	N/A	N/A	TM-5DS
Colinear Flex Connectors	N/A	N/A	N/A	N/A

FPI			
946-604/P	Simpson Direct Vent -Vent Guard (Optional)	946-623/P	AstroCap XL Horizontal Cap
770-994	Rigid Pipe Adaptor (Must use with all rigid piping)	946-506/P	Vent Guard (Optional)
946-606	Starter collar reducer 5" x 8" to 4" x 6-5/8"	946-625	Vinyl Siding Standoff - AstroCap XL

Note: When using Metal-Fab Sure Seal Rigid Piping - please note that the Adaptor (4DDA) must be used in conjunction with FPI Rigid Pipe Adaptor (510-994).

Offset Pipe Selection: Use this table to determine offset pipe lengths.				
Pipe Length (L)	5" x 8" Venting			For specific instructions on venting components - visit the manufacturers website listed below. Simpson Direct Vent Pro: www.duravent.com Selkirk Direct-Temp: www.selkirkcorp.com Metal-Fab Sure Seal: www.mtfab.com Industrial Chimney Company: www.icc-rsf.com Note: Horizontal runs of vent must be level, or have a 1/4" rise for every 1 foot of run towards the termination. Never allow the vent to run downward - this could cause high temperatures and may present a possible fire hazard.
	Run (X)	Rise (Y)		
0" (0mm)	5-11/16" (144mm)	15-5/16" (389mm)		
6" (152mm)	8-13/16" (224mm)	18-7/16" (468mm)		
9" (229mm)	10-15/16" (278mm)	20-9/16" (522mm)		
12" (305mm)	13" (330mm)	22-11/16" (576mm)		
24" (610mm)	21-7/16" (697mm)	31-1/16" (789mm)		
36" (914mm)	29-13/16" (757mm)	39-7/16" (1002mm)		
48" (1219mm)	38-1/4" (972mm)	47-7/8" (1216mm)		

RIGID PIPE VENTING SYSTEMS

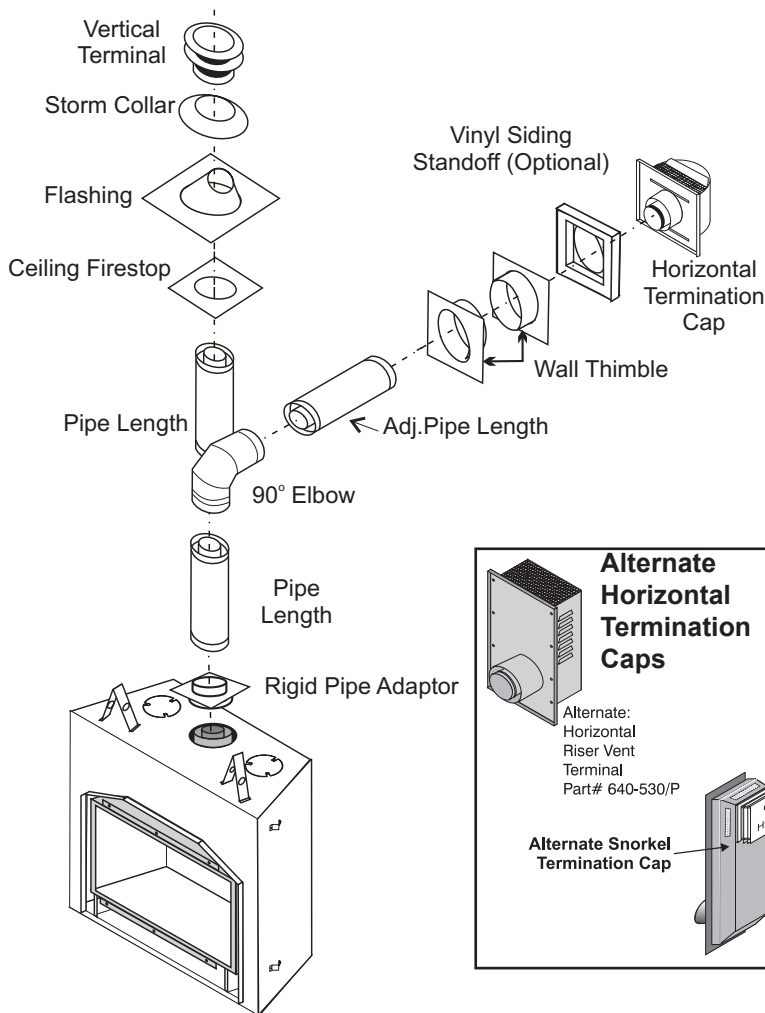
The minimum components required for a basic horizontal termination are:

- 1 Horizontal Termination Cap
- 1 90° Elbow
- 1 Rigid Pipe Adaptor
- 1 Wall Thimble
- 1 Length of pipe to suit wall thickness (see chart)
- 1 4" x 6-5/8" to 5" x 8" increaser for 5" x 8" venting

Wall thickness is measured from the back standoffs to the inside mounting surface of termination cap. For siding other than vinyl furring strips may be used, instead of the vinyl siding standoff, to create a level surface to mount the vent terminal. The Terminal must not be recessed into siding. Measure the wall thickness including furring strips.

If a Vinyl Siding Standoff is required (it must be used with vinyl siding), measure to outside surface of wall without siding and add 2 inches.

Horizontal and Vertical Terminations for 4" x 6-5/8" Venting



Flat Wall Installation	
Wall Thickness (inches)	Vent Length Required (inches)
4" - 5-1/2"	6"
7" - 8-1/2"	9"
10" - 1-1/2"	12"
9" - 14-1/2"	11" - 14-5/8" Adj. Pipe
15" - 23-1/2"	17" - 24" Adj.
Corner Installation	
Wall Thickness (inches)	Vent Length Required (inches)
3-1/4" - 6-3/4"	11" - 14-5/8" Adj. Pipe
7-3/4" - 16-1/4"	17" - 24" Adj. Pipe
7-1/4" - 8-3/4"	6" + 12" 9" + 9"
4-1/4" - 5-3/4"	6" + 9"

WARNING:

Do not combine venting components from different venting systems.

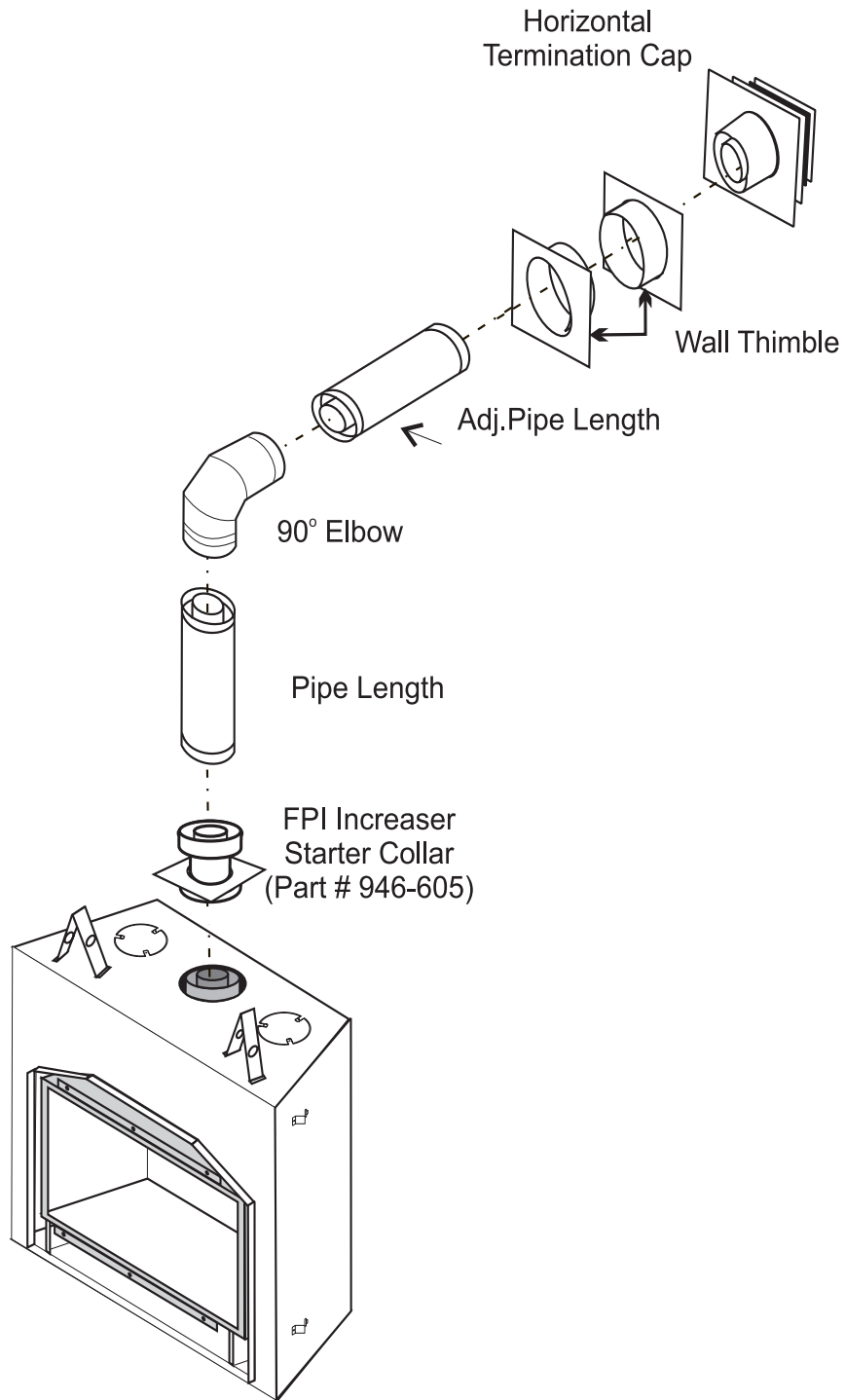
However use of the the AstroCap™ and FPI Riser is acceptable with all systems.

This product has been evaluated by Intertek for using a Rigid Pipe Adaptor in conjunction with DuraVent Direct-Vent, Selkirk Direct-Temp, Ameri Vent Direct venting and Security Secure Vent systems. Use of these systems with the Rigid Pipe adaptor is deemed acceptable and does not affect the Intertek WHI listing of components.

When using Rigid Vent other than Simpson Dura-Vent, 3 screws must be used to secure rigid pipe to adaptor.

The FPI AstroCap™ and FPI Riser Vent terminal are certified for installations using FPI venting systems as well as Simpson Dura-Vent® Direct Vent, American Metal Products Ameri Vent Direct Vent, Security Secure Vent®, Selkirk Direct-Temp. AstroCap™ is a proprietary trademark of FPI Fireplace Products International Ltd. Dura-Vent® and Direct Vent are registered and/or proprietary trademarks of Simpson Dura-Vent Co. Inc.

Horizontal & Vertical Terminations for 5" x 8" Venting



RIGID PIPE VENTING ARRANGEMENTS - HORIZONTAL TERMINATIONS

FPI DIRECT VENT SYSTEM (FLEX)

(Propane & Natural Gas)

The diagram shows all allowable combinations of vertical runs with horizontal terminations, using one 90° elbow (two 45° elbows equal one 90° elbow).



All Rigid Pipe Systems
4" inner diameter
6-5/8" outer diameter



All Rigid Pipe Systems
5" inner diameter
8" outer diameter

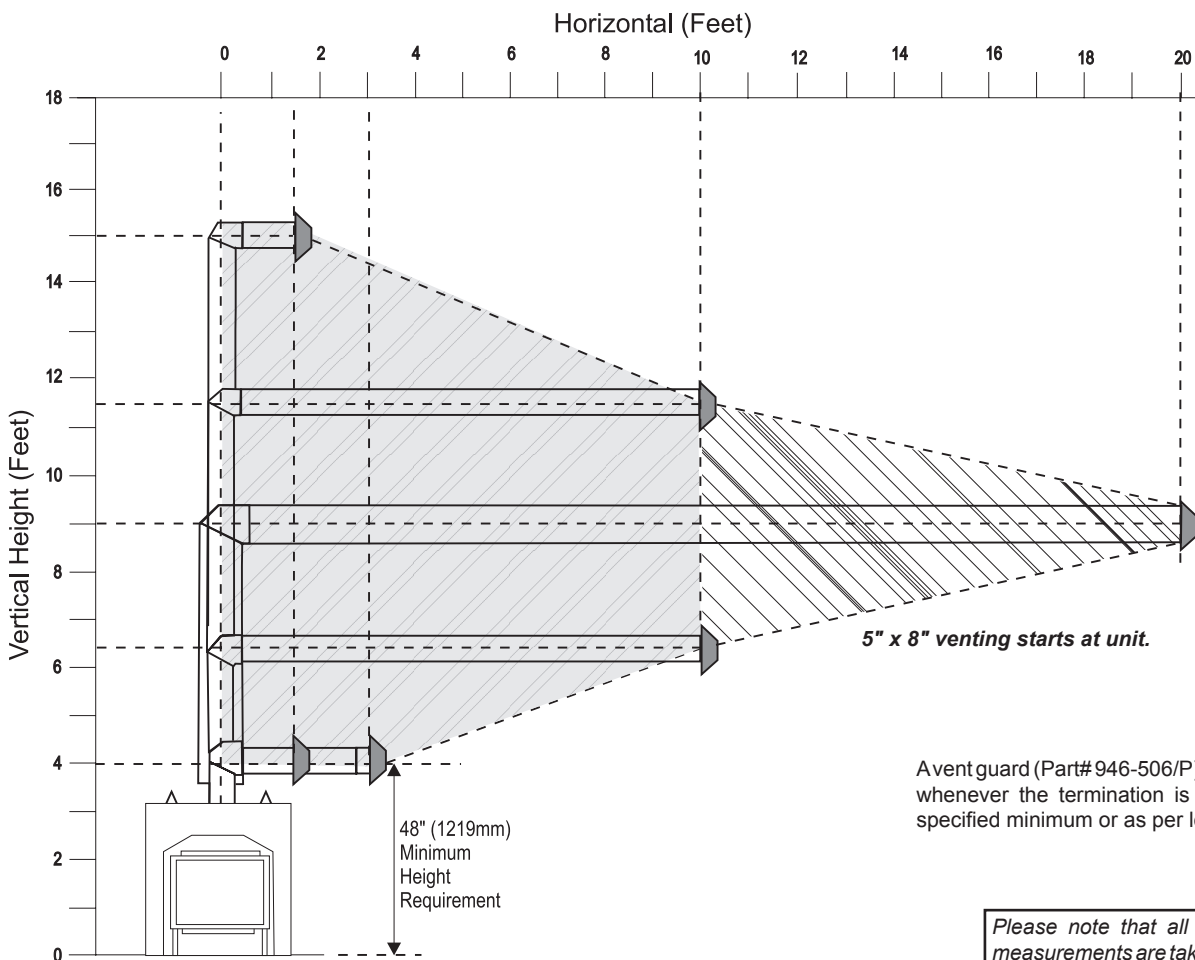


FPI Flex Vent
4" inner diameter
6-7/8" outer diameter

Note: Must use FPI increaser starter collar (Part # 946-605) at beginning of vent run.

Note: Must use optional rigid pipe adaptor (Part # 510-994) when using Rigid Pipe.

Note: FPI Direct Vent System (Flex) is only approved for horizontal terminations.



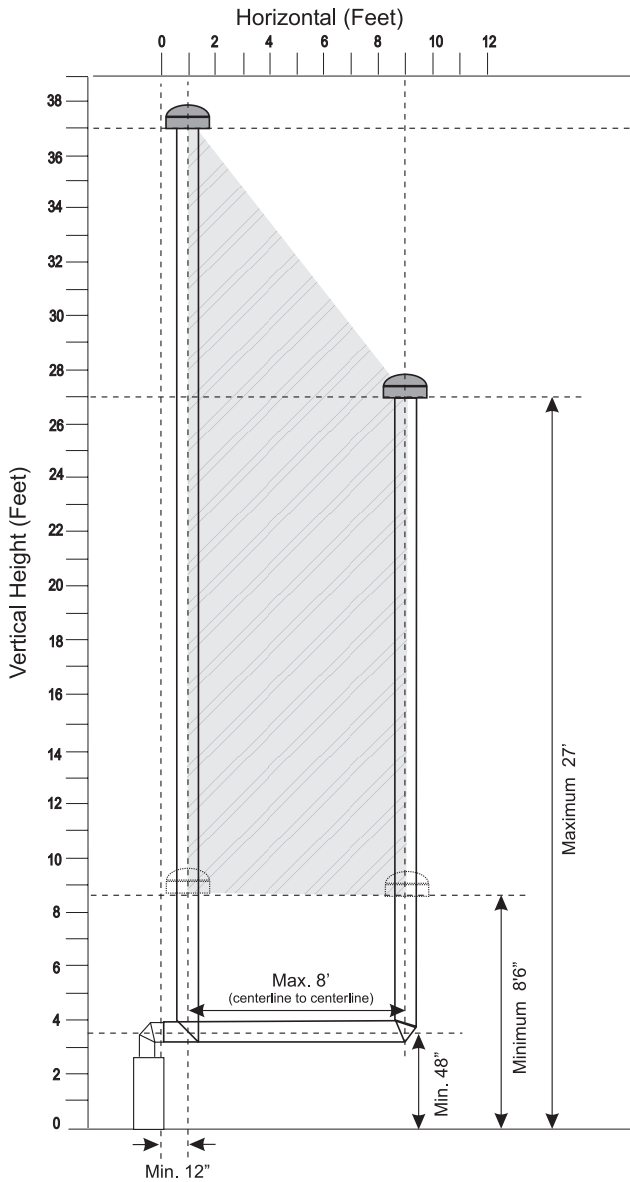
An vent guard (Part# 946-506/P) should be used whenever the termination is lower than the specified minimum or as per local codes.

*Please note that all vertical measurements are taken from the base of the unit **excluding** risers or bottom stand-offs.*

- Maintain clearances to combustibles as listed in the "Clearances" section.
- Horizontal vent must be supported every 3 feet.
- Firestops are required at each floor level and whenever passing through a wall.

RIGID PIPE VENTING ARRANGEMENTS - VERTICAL TERMINATIONS

The shaded area in the diagram shows all allowable combinations of straight vertical and offset to vertical terminations, using two 90° elbow, with rigid pipe vent systems for Propane and Natural Gas.



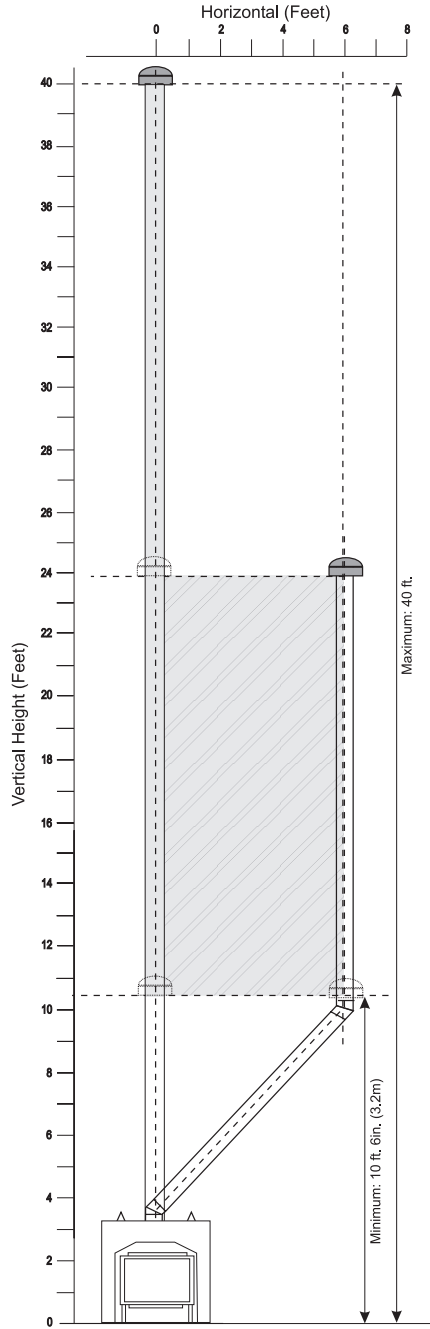
- Vent must be supported at offsets.
- Firestops are required at each floor level and whenever passing through a wall.
- Maintain clearances to combustibles.

Note: Must use optional rigid pipe adaptor when using rigid vent systems (Part # 510-994..

The P90 is approved for a maximum 40 ft. straight vertical, with rigid pipe 4" x 6-5/8" vent systems for Propane and Natural Gas, as per diagram.

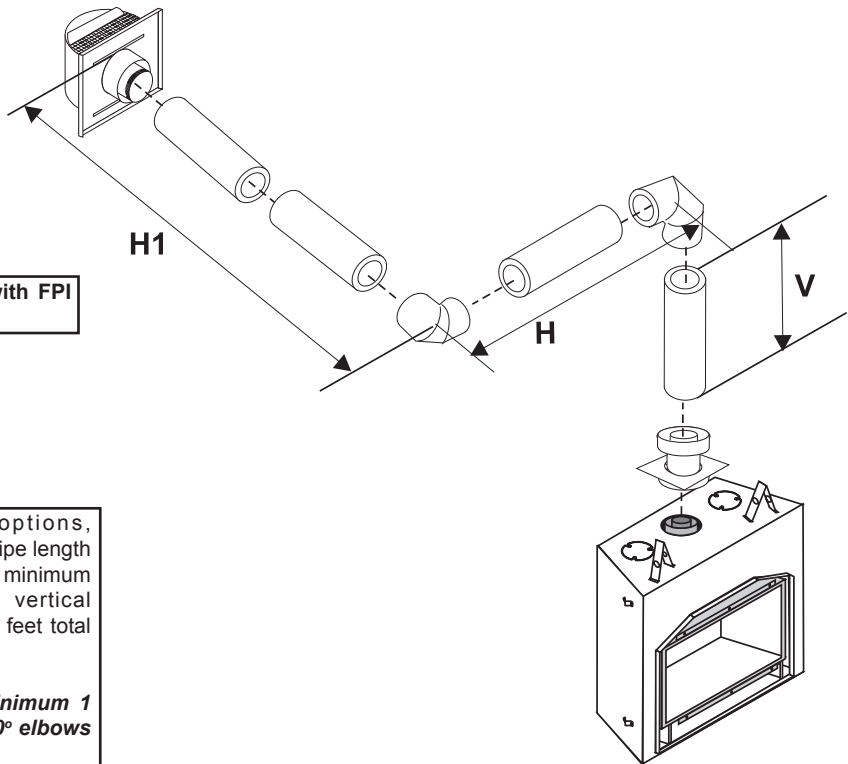
The shaded area in the diagram show all allowable combinations of straight vertical and offset to vertical terminations with rigid pipe vent systems for Propane and Natural Gas. Maximum two 45° elbows allowed.

- Vent must be supported at offsets
- Firestops are required at each floor level and whenever passing through a wall.
- Maintain clearances to combustibles as listed in the "Clearances" section.



Please note that all vertical measurements are taken from the base of the unit **excluding** risers or bottom stand-offs.

Horizontal Venting with Two (2. 90° Elbows)



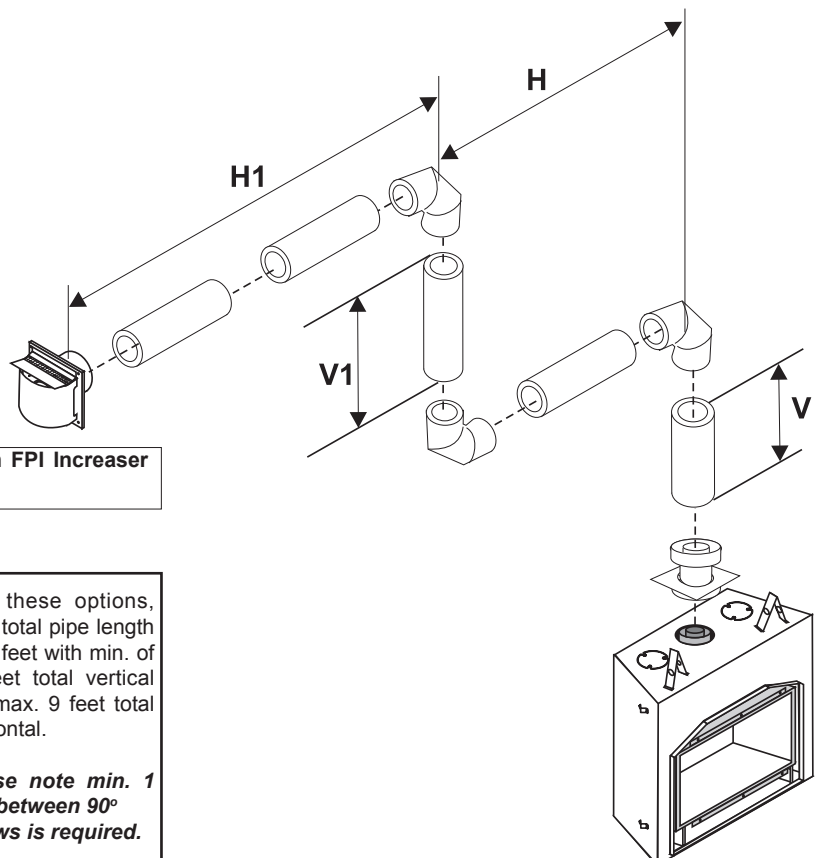
Must Use: 5" x 8" Simpson Direct Vent Piping with FPI Inverter Starter Collar (Part #946-605..

One 90° elbow = Two 45° elbows.

Option	V	H + H1	With these options, maximum total pipe length is 30 feet with minimum of 6 feet total vertical and maximum 8 feet total horizontal.
A)	6" Min.	2' Max.	
B)	1' Min.	3' Max.	
C)	2' Min.	4' Max.	
D)	3' Min.	5' Max.	
E)	4' Min.	6' Max.	
F)	5' Min.	7' Max.	
G)	6' Min.	8' Max.	

Please note minimum 1 foot between 90° elbows is required.

Horizontal Venting with Three (3. 90° Elbows)



Must Use: 5" x 8" Simpson Direct Vent Piping with FPI Inverter Starter Collar (Part #946-605..

One 90° elbow = Two 45° elbows.

Option	V	H	V + V1	H + H1	With these options, max. total pipe length is 30 feet with min. of 12 feet total vertical and max. 9 feet total horizontal.
A)	6" Min.	1' Max.	1'6" Min.	2' Max.	
B)	1' Min.	2' Max.	3' Min.	3' Max.	
C)	2' Min.	2' Max.	5' Min.	4' Max.	
D)	3' Min.	2' Max.	7' Min.	5' Max.	
E)	4' Min.	3' Max.	9' Min.	6' Max.	
F)	5' Min.	4' Max.	10' Min.	7' Max.	
G)	6' Min.	5' Max.	11' Min.	8' Max.	
H)	7' Min.	6' Max.	12' Min.	9' Max.	

Please note min. 1 foot between 90° elbows is required.

Vertical Venting with Two (2. 90° Elbows)

Must Use: 5" x 8" Simpson Direct Vent Piping with FPI Increaser Starter Collar (Part #946-605., unless V1 is greater than or equal to 4'-6" then use 4" x 6-5/8" piping.

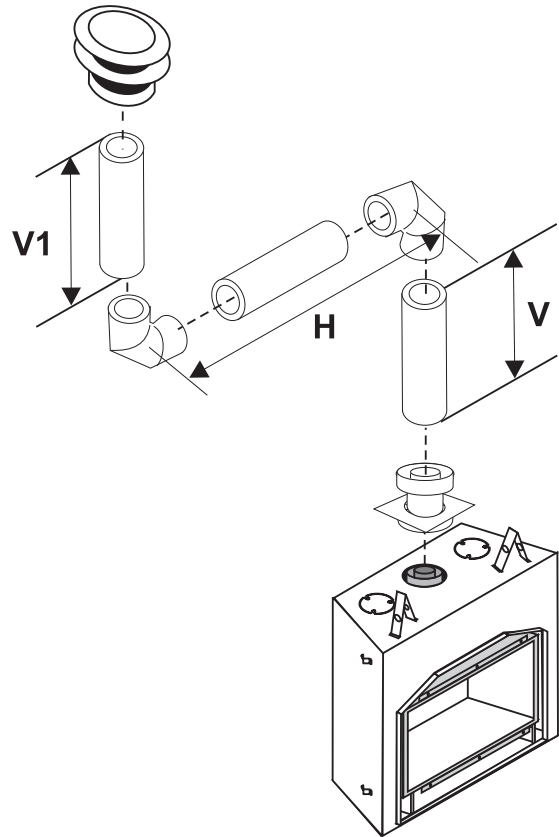
One 90° elbow = Two 45° elbows.

Option	V	H	V + V1
A)	0' Min.	2' Max.	1' Min.
B)	1' Min.	4' Max.	2' Min.
C)	2' Min.	5' Max.	3' Min.
D)	3' Min.	6' Max.	4' Min.
E)	4' Min.	7' Max.	5' Min.
F)	5' Min.	8' Max.	6' Min.

With these options, max. total pipe length is 30 feet with min. of 6 feet total vertical and max. 8 feet total horizontal.

Please note min. 1 foot between 90° elbows is required.

For additional vertical venting with 2 x 90° elbows, refer to the "Rigid Pipe Venting Arrangements - Horizontal Termination" section.



Vertical Venting with Three (3. 90° Elbows)

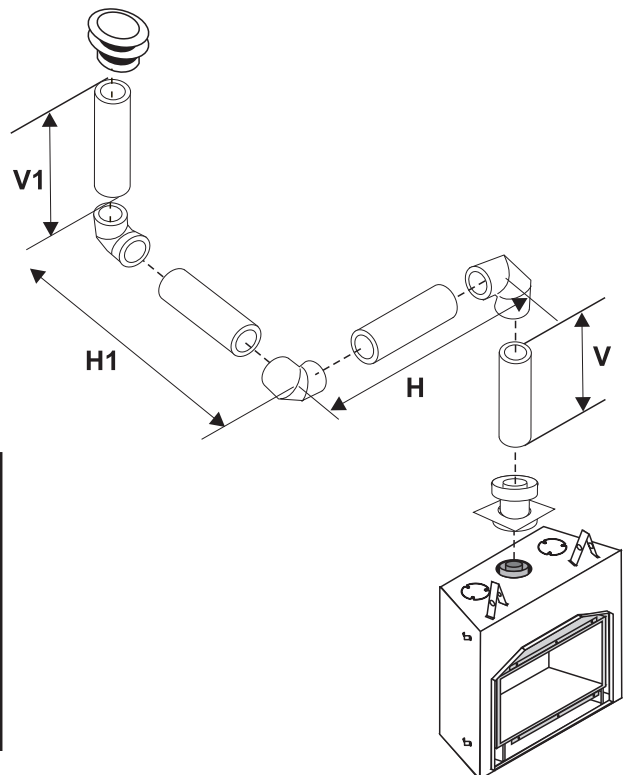
Must Use: 5" x 8" Simpson Direct Vent Piping with FPI Increaser Starter Collar (Part #946-605..

One 90° elbow = Two 45° elbows.

Option	V	H + H1	V + V1
A)	6" Min.	2' Max.	3' Min.
B)	1' Min.	2' Max.	3' Min.
C)	2' Min.	3' Max.	4' Min.
D)	3' Min.	4' Max.	6' Min.
E)	4' Min.	5' Max.	7' Min.
F)	5' Min.	6' Max.	8' Min.
G)	6' Min.	7' Max.	9' Min.
H)	7' Min.	8' Max.	10' Min.

With these options, max. total pipe length is 30 feet with min. of 10 feet total vertical and max. 8 feet total horizontal.

Please note min. 1 foot between 90° elbows is required.



HORIZONTAL TERMINATIONS

Install the vent system according to the manufacturer's instructions included with the components.

1. Set the unit in its desired location. Check to determine if wall studs or roof rafters are in the way when the venting system is attached. If this is the case, you may want to adjust the location of the unit. Rough in the gas preferably on the right side of the unit and the electrical (junction block is on the left side) on the left.
2. Direct Vent pipe and fittings are designed with special twist-lock connections to connect the venting system to the appliance flue outlet. A twist-lock appliance adaptor is an available option that must be used in conjunction with the Simpson Dura-Vent Direct Vent system.
3. Put a bead of silicone inside the outer section of the adapter and a bead of Mill Pac on the inner collar. Slip the adapter over the existing inner and outer flue collar and fasten to the outer collar only with the 3 supplied screws (drilling pilot holes will make this easier). Level the fireplace and fasten it to the framing using nails or screws through the nailing strips.
4. Assemble the desired combination of pipe and elbows to the appliance adaptor and twist-lock for a solid connection.

Note:

- a) Twist-lock procedure: Four indentations, located on the female ends of pipes and fittings, are designed to slide straight onto the male ends of adjacent pipes and fittings, by orienting the four pipe indentations so they match and slide in to the four entry slots on the male ends, Diagram 1. Push the pipe sections completely together, then twist-lock one section clockwise approximately one-quarter turn, until the two sections are fully locked. The female locking lugs will not be visible from the outside, on the Black Pipe or fittings. They may be located by examining the inside of the female ends.

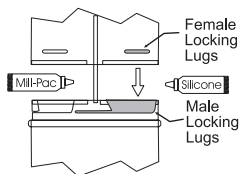


Diagram 1

NOTE: For best results and optimum performance with each approved venting system, it is highly recommended to apply "Mill-Pac" sealant (supplied) to every inner pipe connection. Failure to do so may result in drafting or performance issues not covered under warranty.

- b) Horizontal runs of vent must be supported every three feet. Wall straps are available for this purpose.
5. Mark the wall for a 10" x 10" square hole. The center of the square hole should line up with the centerline of the horizontal pipe. Cut and frame the 10 inch square hole in the exterior wall where the vent will be terminated. If the wall being penetrated is constructed of non-combustible material, i.e. masonry block or concrete, a 7"(178mm) dia. (7-1/2"(191mm) dia. for flex) hole is acceptable.

Note: With DuraVent, the minimum height is achieved by installing a 90° elbow directly to the top of the unit.

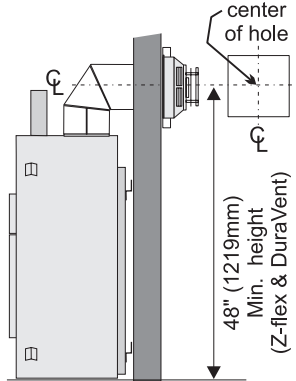


Diagram 2

Note:

- a) The horizontal run of vent must be level, or have a 1/4 inch rise for every 1 foot of run towards the termination. Never allow the vent to run downward. This could cause high temperatures and may present the possibility of a fire.
- b) The location of the horizontal vent termination on an exterior wall must meet all local and national building codes, and must not be blocked or obstructed. For External Vent Terminal Locations, see diagram in the "Exterior Vent Termination Locations" section.

c) Snorkel Terminations:

For installations requiring a vertical rise on the exterior of the building, 14-inch and 36-inch tall Snorkel Terminations are available, as well as the standard Riser Vent. Follow the same installation procedures as used for standard Horizontal Termination. NEVER install the snorkel upside down.

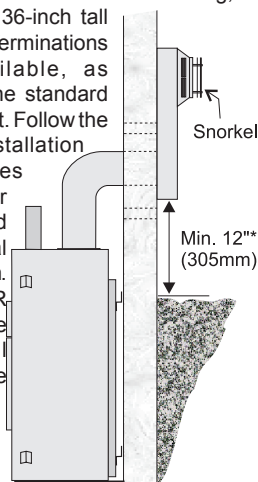
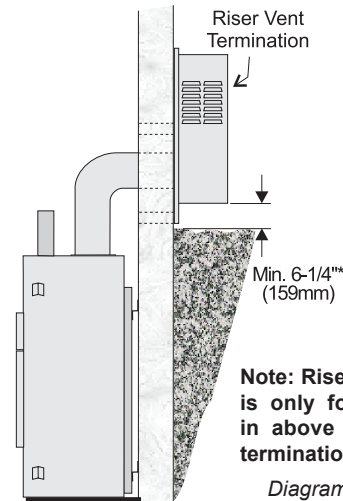


Diagram 3



Note: Riser Vent is only for use in above grade terminations.

Diagram 3a

***Dia 3, 3a & 4: As specified in CGA B149 Installation Code. Local codes or regulations may require different clearances.**

Below Grade Installation

If the Snorkel Termination must be installed below grade, i.e. basement application, proper drainage must be provided to prevent water from entering the Snorkel Termination. Refer to Diagram 4. Do not attempt to enclose the Snorkel within the wall, or any other type of enclosure.

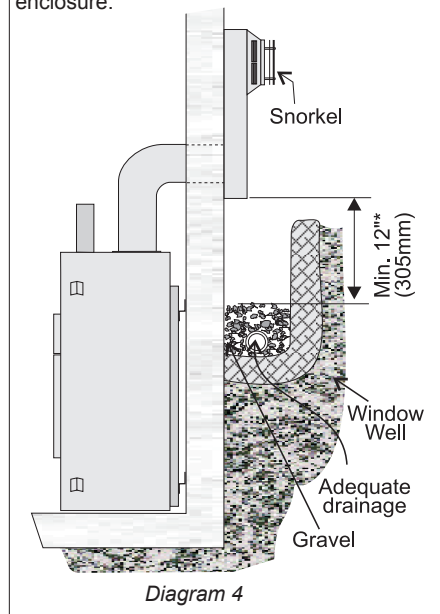
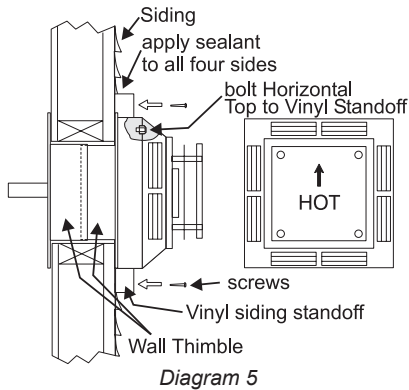


Diagram 4

NOTE: For Snorkel terminations in ABOVE grade installations, follow national or local code requirements.

6. The arrow on the vent cap should be pointing up. Insure that the 1-1/2" clearances to combustible materials are maintained (Diagram 4.. Install the termination cap.



The four wood screws provided should be replaced with appropriate fasteners for stucco, brick, concrete, or other types of sidings.

Note: If installing termination on a siding covered wall, a vinyl siding standoff or furring strips must be used to ensure that the termination is not recessed into the siding.

- Before connecting the horizontal run of vent pipe to the vent termination, slide the Wall Thimble over the vent pipe.
- Slide the appliance and vent assembly towards the wall carefully inserting the vent pipe into the vent cap assembly. It is important that the vent pipe extends into the vent cap sufficient distance so as to result in a minimum pipe overlap of 1-1/4 inches. Secure the connection between the vent pipe and the vent cap by attaching the two sheet metal strips extending from the vent cap assembly into the outer wall of the vent pipe. Use the two sheet metal screws provided to connect the strips to the pipe section. See Diagram 6.

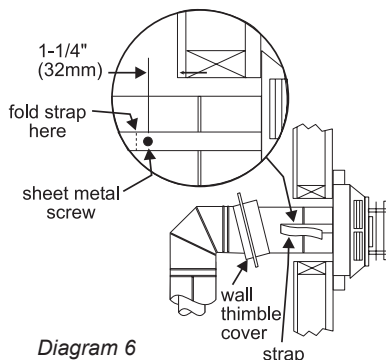
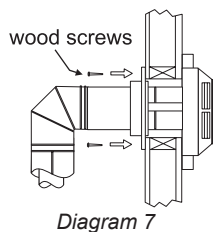


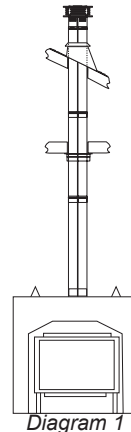
Diagram 6

- Install wall thimble in the center of the 10" square and attach with wood screws (Diagram 7..

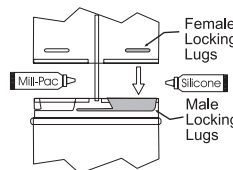
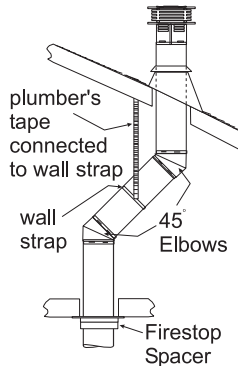


VERTICAL TERMINATIONS

- Maintain the 1-1/2" clearances (air spaces) to combustibles when passing through ceilings, walls, roofs, enclosures, attic rafter, or other nearby combustible surfaces. Do not pack air spaces with insulation. Check the "Rigid Pipe Venting Systems" & "Rigid Pipe Venting Arrangements" sections for the maximum vertical rise of the venting system and the maximum horizontal offset limitations.



- Set the gas appliance in its desired location. Drop a plumb bob down from the ceiling to the position of the appliance flue exit, and mark the location where the vent will penetrate the ceiling. Drill a small hole at his point. Next, drop a plumb bob from the roof to the hole previously drilled in the ceiling, and mark the spot where the vent will penetrate the roof. Determine if ceiling joists, roof rafters or other framing will obstruct the venting system. You may wish to relocate the appliance or to offset, as shown in Diagram 2 to avoid cutting load bearing members.



NOTE: For best results and optimum performance with each approved venting system, it is highly recommended to apply "Mill-Pac" sealant (supplied) to every inner pipe connection. Failure to do so may result in drafting or performance issues not covered under warranty.

- A Firestop spacer must be installed in the floor or ceiling of every level. To install the Firestop spacer in a flat ceiling or wall, cut a 10 inch square hole. Frame the hole as shown in Diagram 3 and install the firestop.

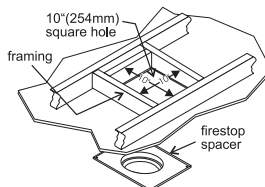


Diagram 3

- Assemble the desired lengths of pipe and elbows. Ensure that all pipes and elbow connections are in the fully twist-locked position and sealed.
- Cut a hole in the roof centered on the small drilled hole placed in the roof in Step 2. The hole should be of sufficient size to meet the minimum requirements for clearance to combustibles of 1-1/2". Slip the flashing under the shingles (shingles should overlap half the flashing) as per Diagram 4.

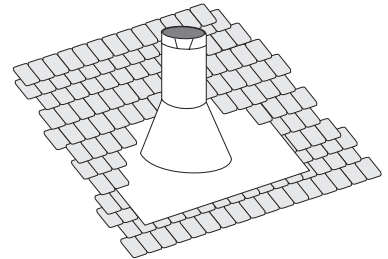
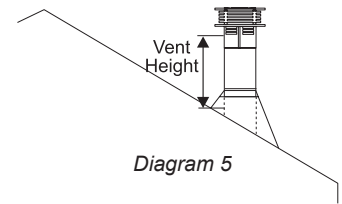


Diagram 4: The upper half of the flashing is installed under the roofing material and not nailed down until the chimney is installed. This allows for small adjustments.

- Continue to assemble pipe lengths.

Note: If an offset is necessary in the attic to avoid obstructions, it is important to support the vent pipe every 3 feet, to avoid excessive stress on the elbows, and possible separation. Wall straps are available for this purpose (Diagram 2..

Galvanized pipe is desirable above the roofline due to its higher corrosion resistance. Continue to add pipe sections through the flashing until the height of the vent cap meets the minimum height requirements specified in Diagram 5 or local codes. Note that for steep roof pitches,



Roof Pitch	Minimum Vent Height	
	Feet	Meters
flat to 7/12	2	0.61
over 7/12 to 8/12	2	0.61
over 8/12 to 9/12	2	0.61
over 9/12 to 10/12	2.5	0.76
over 10/12 to 11/12	3.25	0.99
over 11/12 to 12/12	4	1.22
over 12/12 to 14/12	5	1.52
over 14/12 to 16/12	6	1.83
over 16/12 to 18/12	7	2.13
over 18/12 to 20/12	7.5	2.29
over 20/12 to 21/12	8	2.44

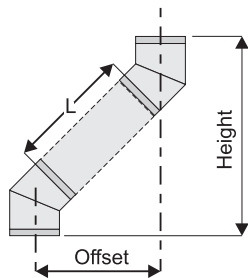
the vertical height must be increased. A poor draft, or down drafting can result from high wind conditions near big trees or adjoining roof lines, in these cases, increasing the vent height may solve the problem.

7. Ensure vent is vertical and secure the base of the flashing to the roof with roofing nails, slide storm collar over the pipe section and seal with a mastic.
8. Install the vertical termination cap by twist-locking it.

Note: Any closets or storage spaces, which the vent passes through must be enclosed.

Offset Chart

GS 6"(152mm) Nominal Diameter ID					
Offset		Pipe Length (L)		Height	
inches	mm	inches	mm	inches	mm
4 3/4	121	0	0	13 1/4	337
9	229	6	152	17 1/2	445
11 1/4	286	9	229	19 1/2	495
13 1/4	337	12	305	21 3/4	552
21 3/4	552	24	610	30 1/4	768
30 1/4	768	36	914	39	991
38	965	48	1219	47	1194

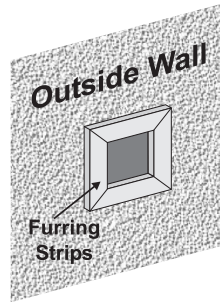


INSTALLATION PROCEDURES for FPI Direct Vent System (Flex)

1. Locate the unit in the framing, rough in the gas (preferably on the right side of the unit) and the electrical (Junction block is on the left side) on the left. Locate the centerline of the termination and mark wall accordingly. Cut a 10"(254mm) hole in the wall (inside dimension).

Note: A 1-1/2"(38mm) clearance around the liner must be maintained except that only a 1" (25mm) clearance is needed at the termination end. We recommend framing a 10"(254mm) x 10"(254mm) (inside dimensions) hole to give structural rigidity for mounting the termination.

Note: To make the installation more aesthetically pleasing, we recommend framing out a square to mount the terminal to.



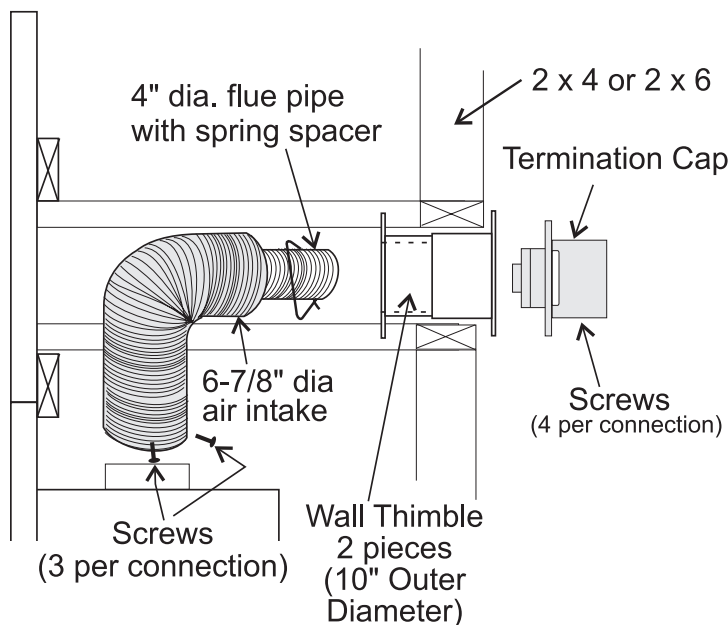
Note: If installing termination on a siding covered wall, furring strips must be used to ensure that the termination is not recessed into the siding.

2. Level the fireplace and fasten it to the framing using nails or screws through the nailing strips.
3. Assemble the vent assembly by applying Mill Pac to the 4"(100mm) inner collar of the termination and slipping the 4"(100mm) liner over it at least 1-3/8" (35mm). Fasten with the 3 screws (drilling pilot holes will make this easier). Apply Mill Pac or high temperature silicone to the 6-7/8"(175mm) flex pipe and slip it over the 6-7/8" outer collar of the vent terminal at least 1-3/8"(35mm) and fasten with the 3 screws.

NOTE: Horizontal sections must be supported at intervals not exceeding 3 feet (0.9 meter). (Flame picture and performance will be affected by sags in the liner).

4. Separate the 2 halves of the wall thimble and securely fasten the one with the tabs to the outside wall making sure that the tabs are on top and bottom. Fasten the other thimble half to the inside wall. The thimble halves slip inside each other and can be adjusted for 2 x 4 or 2 x 6 walls. **The liners must slip over the collars a minimum of 1-3/8".**
5. Slip the assembled liner and termination assembly through the thimble making sure the termination cap faces up (there are markings on the cap that show which way is up). This will position the termination cap with proper down slope for draining water. Fasten the cap to the outer wall with the 4 supplied screws.
6. Pull the centre 4"(100mm) liner and outer 6-7/8"(175mm) liner out enough to slip over the flue collars of the fireplace. (You may wish to cut the liner shorter to make it more workable.) Do not bend liner more than 90°.
7. Apply Mill Pac over the fireplace inner collar and slip the 4"(100mm) liner down over it and attach with 3 supplied screws.
8. Do the same with the 6-7/8"(175mm) liner.
9. Apply a bead of silicone between the thimble and termination and around the outer edge of the terminal at the wall in order to keep the water out.

IMPORTANT: Do not locate termination hood where excessive snow or ice buildup may occur. Be sure to check vent termination area after snow falls, and clear to prevent accidental blockage of venting system. When using snow blowers, make sure snow is not directed towards vent termination area.



P90-NG10 System Data	
For 0 to 4500 feet altitude	
Burner Inlet Orifice Sizes: #34	
Max. Input Rating	35,000 Btu/h
Min. Input Rating	18,200 Btu/h
Supply Pressure	min.5.0" w.c.
Manifold Pressure (High)	3.8"+/- 0.2"w.c.
P90-LP10 System Data	
For 0 to 2000 feet altitude	
Burner Inlet Orifice Sizes: #51	
Max. Input Rating	35,000 Btu/h
Min. Input Rating	17,950 Btu/h
High Altitude: For 2000 to 4500 feet altitude	
Burner Inlet Orifice Sizes: #52	
Max. Input Rating	31,000 Btu/h
Min. Input Rating	15,500 Btu/h
Supply Pressure	min.12.0" w.c.
Manifold Pressure (High)	11"+/- 0.2" w.c.
Electrical: 120 V A.C. System.	
Circulation Fan: variable speed 130 CFM.	
Log Set: Ceramic fibre, 7 per set.	

When using copper or flex connectors use only approved fittings. Always provide a union so that gas lines can be easily disconnected for servicing. Flare nuts for copper lines and flex connectors are usually considered to meet this requirement.

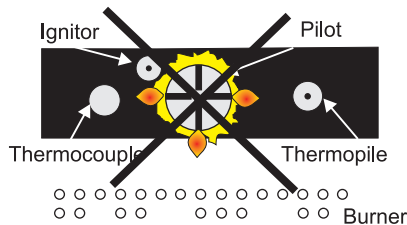
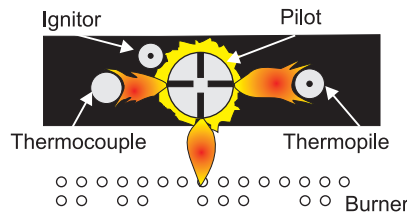
Important: Always check for gas leaks with a soap and water solution or gas leak detector. Do not use open flame for leak testing.

PILOT ADJUSTMENT

Periodically check the pilot flames. **Correct flame pattern has three strong blue flames: 1 flowing around the thermopile, 1 around the thermocouple and 1 flowing across the burner (it does not have to be touching the burner).**

Note: If you have an incorrect flame pattern, contact your Excalibur® dealer for further instructions.

Incorrect flame pattern will have small, probably yellow flames, not coming into proper contact with the rear burner or thermopile or thermocouple.



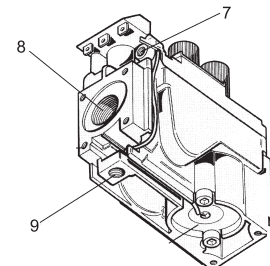
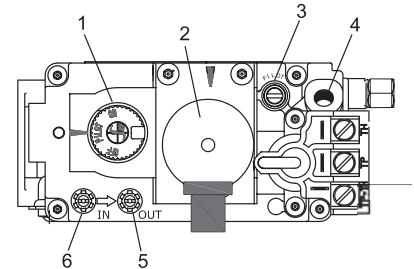
The manifold pressure is controlled by a regulator built into the gas control, and should be checked at the pressure test point.

Note: To properly check gas pressure, both inlet and manifold pressures should be checked using the valve pressure ports on the valve.

1. Make sure the valve is in the "OFF" position.
2. Loosen the "IN" and/or "OUT" pressure tap(s), turning counterclockwise with a 1/8" wide flat screwdriver.
3. Attach manometer to "IN" and/or "OUT" pressure tap(s) using a 5/16" ID hose.
4. Light the pilot and turn the valve to "ON" position.
5. The pressure check should be carried out with the unit burning and the setting should be within the limits specified on the safety label.
6. When finished reading manometer, turn off the gas valve, disconnect the hose and tighten the screw (clockwise) with a 1/8" flat screwdriver. **Note: Screw should be snug, but do not over tighten.**

SIT 829 VALVE DESCRIPTION

- 1) Gas on/off knob
- 2) Electronically Operated Hi/Lo
- 3) Pilot Adjustment
- 4) Thermocouple Connection - option
- 5) Outlet Pressure Tap
- 6) Inlet Pressure Tap
- 7) Pilot Outlet
- 8) Main Gas Outlet
- 9) Alternative TC Connection Point



HIGH ELEVATION

This unit is approved in Canada for altitude 0 to 4500 ft. (CAN1 2.17-M91..)

GAS LINE INSTALLATION

The gas line is brought through the right side of the appliance. The gas valve is situated on the right hand side of the unit and the gas inlet is on the right hand side of the valve.

The gas line connection may be made of rigid pipe, copper pipe or an approved flex connector. (If you are using rigid pipe, ensure that the valve can be removed for servicing.) Since some municipalities have additional local codes it is always best to consult with your local authorities and the CAN/CGA B149 installation code.

For USA installations follow local codes and/or the current National Fuel Gas Code, ANSI Z223.1.

GAS PIPE PRESSURE TESTING

The appliance must be isolated from the gas supply piping system by closing its individual manual shut-off valve during any pressure testing of the gas supply piping system at test pressures equal to or less than 1/2 psig. (3.45 kPa). Disconnect piping from valve at pressures over 1/2 psig.

CONVERSION FROM NG TO LP

THIS CONVERSION MUST BE DONE BY A QUALIFIED GAS FITTER IF IN DOUBT DO NOT DO THIS CONVERSION !!

Each Kit contains one LP Conversion Kit

LP Conversion Kit Contains:

Qty.	Part #	Description
1	904-645	Burner Orifice #51
1	910-582	Stepper Motor
1	918-590	Decal "Converted to LPG"
1	908-528	Red "LPG" label
1	904-529	5/32" Allen Key
1	910-037	LPG Injector (Pilot Orifice)
1	919-511	Instruction Sheet

Installation of the LPG Conversion Kit:

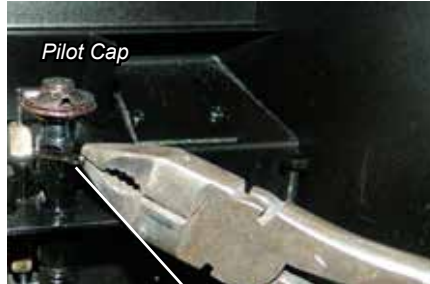
1. Shut off the gas and electrical supply.
2. a) Remove the faceplate if installed.
b) Remove the safety screen and glass door- see manual for detailed instructions.
c) Remove the logs, embers, and brick panels (if installed).
3. Remove the 2 screws holding the Burner Assembly to the firebox base. Push the Burner Assembly to the left and lift out.



Remove the 2 screws, push Burner Assembly to the left and lift out.

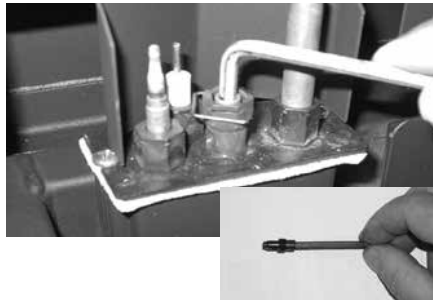


4. Remove pilot clip below pilot cap.

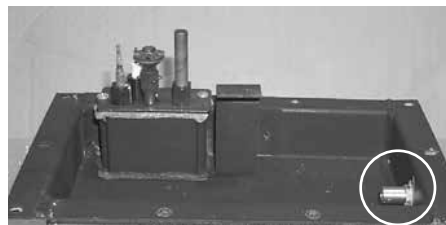


Clip

5. Unscrew the pilot orifice with the Allen key and replace with the LP pilot orifice in the kit and replace pilot cap.



6. Remove burner orifice with a 1/2" wrench and discard. Use another wrench to hold on to the elbow behind the orifice.



Burner Orifice

7. Reinstall new burner orifice LP stamped #51 and tighten.

8. Remove NG stepper motor by removing 3 screws in locations shown below—replace with LP stepper motor, secure in place with 3 screws.



Remove NG Stepper motor and replace with LP Stepper motor

9. Check for gas leaks with a proper soapy solution or leak detector.
10. Check for proper spark between the ignitor and pilot cap. Refer to "Lighting Procedure" section of the manual for lighting sequence.
11. Check pilot flames. Correct flame pattern has 3 strong blue flames. Adjustment can be made by turning the slotted screw at the top right corner of the valve. Refer to "Maintenance Instructions" section of the manual for correct flame patterns.
12. Check inlet and outlet pressures. Refer to "Gas Pipe Pressure Testing" section of the manual.
13. Reverse Steps 3 to 1.
14. Attach the label "This unit has been converted to LP" near or on top of the serial # decal.
15. Replace yellow "NG" label with red "LP" label.
16. Check operation of flame control.
17. Check for proper flame appearance and glow on logs.

**Installer Notice:
These instructions must be left with the appliance.**

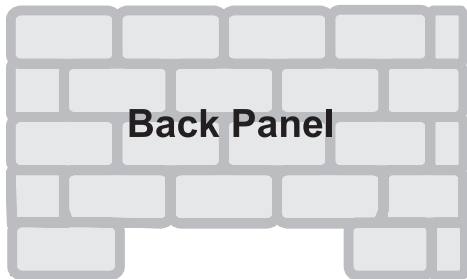
OPTIONAL BRICK PANELS

1. Remove Arch Surround, if already installed.

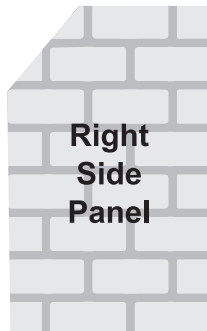
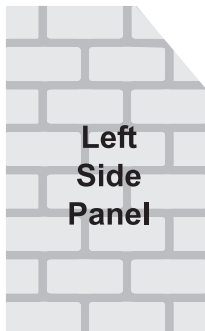
2. Remove glass door. Remove logs.

Note: The logs must not be in the unit.

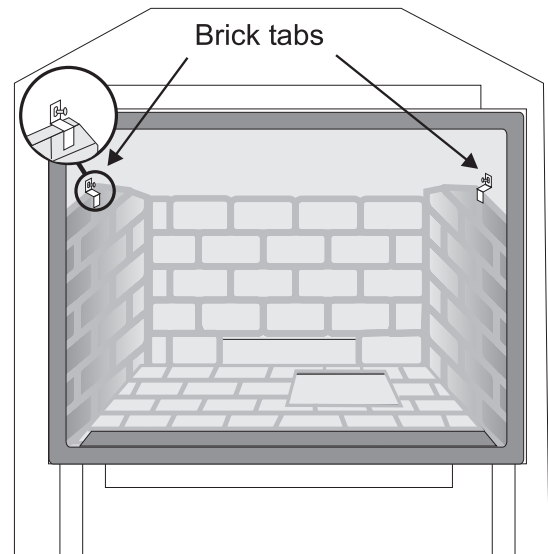
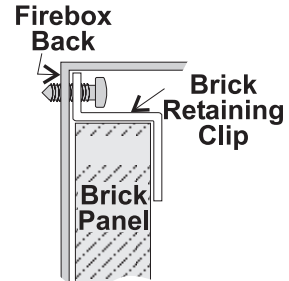
3. Insert the back brick panel first by carefully slipping it between the back wall of the firebox and the rear log bracket.



4. Put the side panels in next. Slide them in from the front and push them flat up against the wall. Be very careful not to scratch them on the firebox hardware.



5. Install the 2 brick retaining clips, one on each side.



Note:

If the bottom brick panel must be removed: Remove the Rear Log Stand, then remove the Burner Tray. See the "Removing Valve" section.

LOG SET INSTALLATION

Read the instructions below carefully and refer to the diagrams. If logs are broken do not use the unit until they are replaced. Broken logs can interfere with the pilot operation.

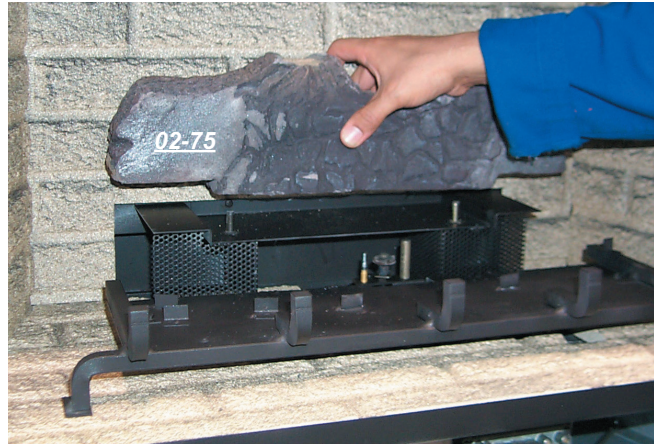
The gas log kit (Part #780-930) contains the following pieces:

- a) 02-75 Rear Log
- b) 02-55 Middle Left Log
- c) 02-50 Front Left Log
- d) 02-53 Center Left Log
- e) 02-51 Front Bottom Log
- f) 02-54 Center Right Log
- g) 02-52 Middle Right Log
- h) 902-156 Embers
- i) 902-179 Vermiculite
- j) 946-669 Platinum Embers (supplied with packaged manual)

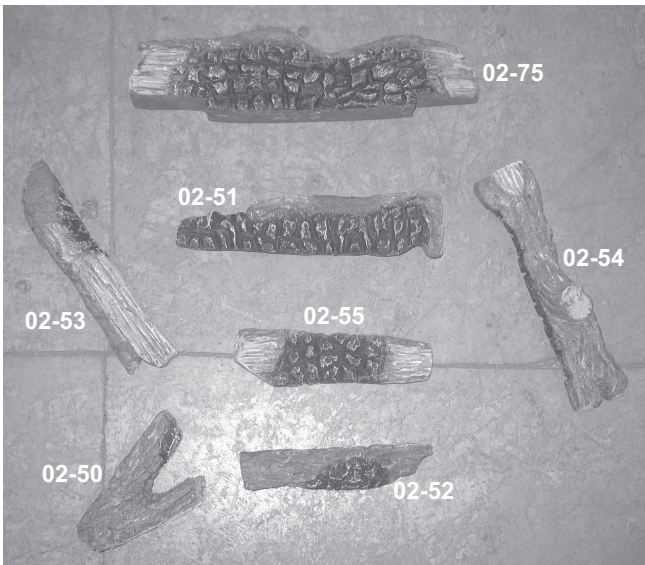
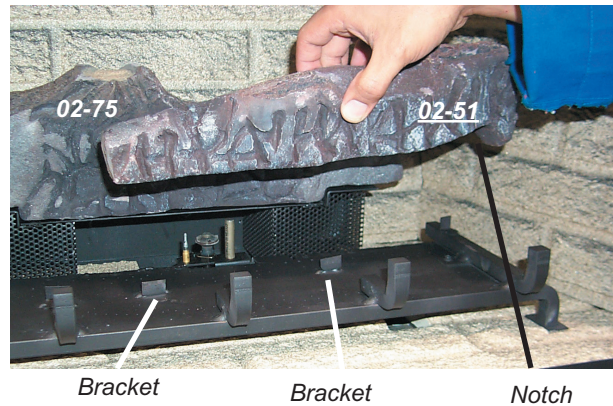
NOTE: If you will be installing the optional Brick Panels (P36D & P90 only), install the Brick Panels prior to installing the logs.

Model shown has P36D and P90 burner/grate with brick panel option.

- 3) Place the Log 02-75 on the rear log support pins with the flat side to the back.



- 4) Place Log 02-51 on the front right side of the burner. Push the back of the log against the 2 brackets with the notch on the bottom right side of the log fitting into the right side of the grate.



The "02" reference numbers (i.e. 02-75) are molded into the rear of each log.

- 1) Carefully remove the logs from the box and unwrap them. The logs are fragile, handle with care - **do not force into position.**
- 2) Sprinkle the vermiculite over base brick panel.



36 | installation

- 5) Position Log 02-53 across the cutouts in Logs 02-75 and 02-51 with the notch on the left side of the log fitting into the 2nd grate tab.



2nd Grate Tab

Cutouts



5th Grate Tab

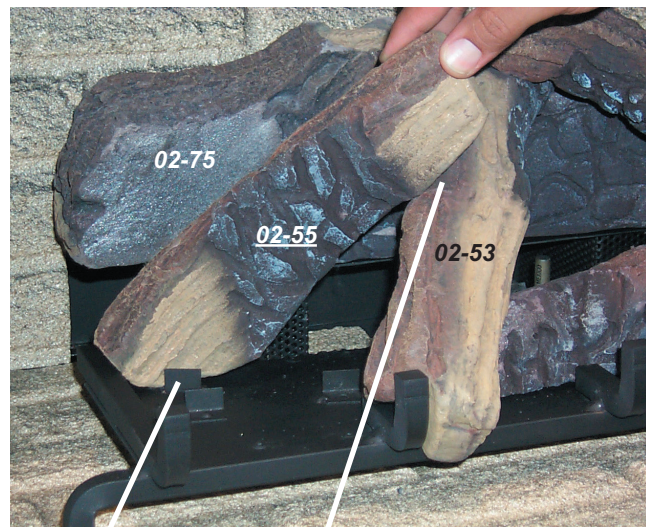
- 7) Place the bottom left front edge of Log 02-55 against the rear bracket on the burner tray and rest the log on the cutout on Log 02-53.



- 6) Position Log 02-54 across the cutouts in Logs 02-51 and 02-53. The notch in the bottom right end fitting against the 5th grate tab.



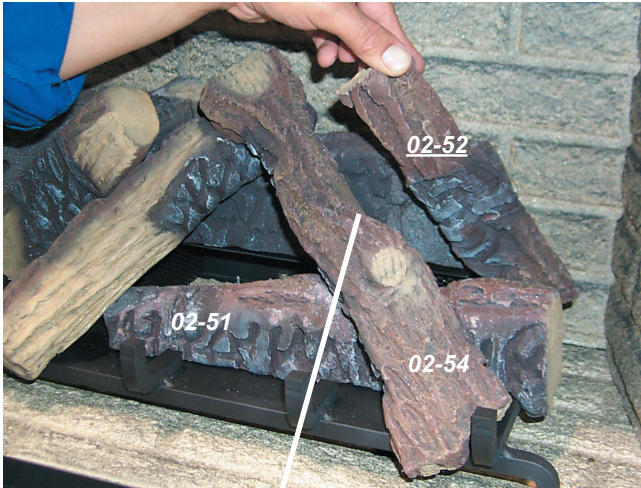
5th Grate Tab



Rear Bracket

Cutouts

- 8) Place Log 02-52 between Logs 02-51 and 02-75 and on the indentation on Log 02-54. The bottom right end sits behind the rear grate tab.



Log Indentation

- 9) Sit Log 02-50 on the front left side of the burner. Push the back of the log against the 2 front brackets with the notch on the bottom of the log fitting into the first grate tab.

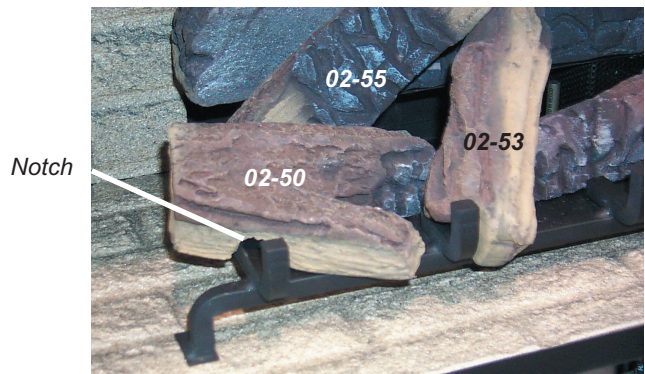


Front Brackets



Rear Grate Tab

Photo shows rear grate tab.
Log 02-51 was removed to show the positioning of Log 02-52.



Notch

- 10) Place the embers on the front of the burner tray in the places shown on the photos below.

Separate platinum embers and place on the front burner on and around the embers. Avoid stacking platinum embers. Platinum embers may be placed over burner ports.



Place embers in these 3 locations on the burner tray.



Do not block the burner ports in this area adjacent to the Log 02-54

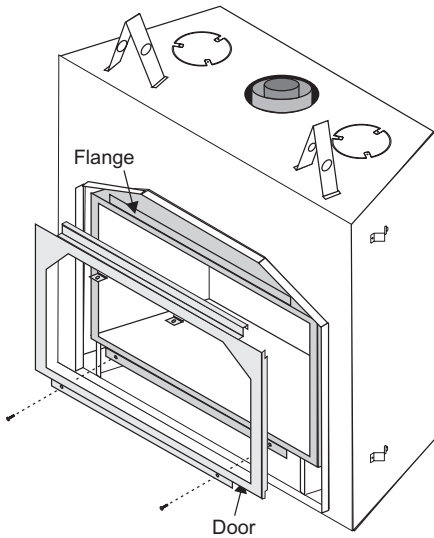
IMPORTANT
When placing Embers, do not block burner ports as this can cause an incorrect flame pattern, carbon deposits and delayed ignition.

- 11) Test fire to ensure proper light off (make sure flame flows smoothly from one end of burner to the other). If there is any flame hesitation, check that area for any blockage of the burner ports.



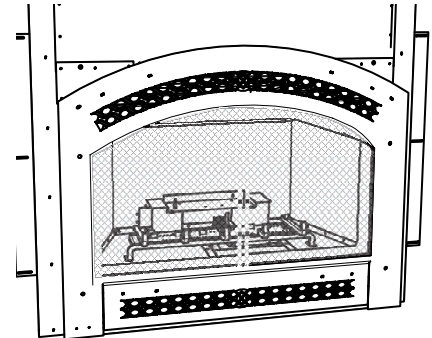
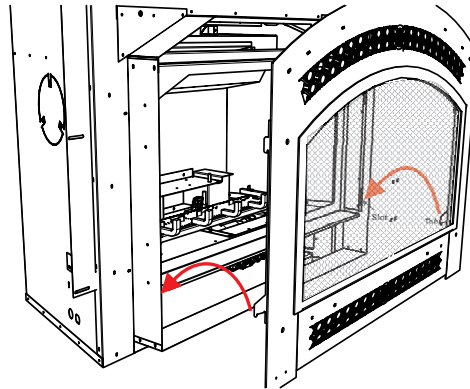
GLASS DOOR INSTALLATION

1. Fit top door bracket over the flange at the top of the firebox.
2. Secure with 2 screws on the bottom.



ARCH SURROUND AND SAFETY SCREEN INSTALLATION

1. Lift Arch Surround /Safety Screen, hook lower tabs on surround into lower slots on bracket within unit—as shown in diagram below.



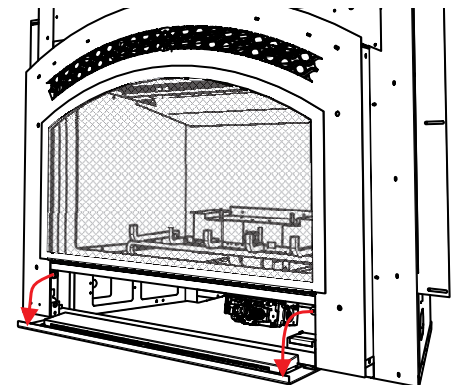
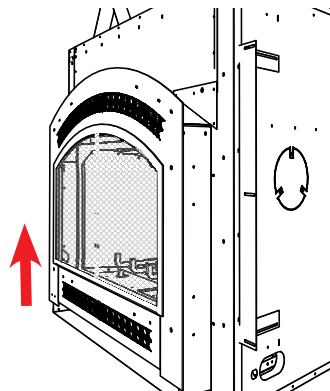
Final install

3. To remove—lift surround straight up, then pull forward.

Note: There is an access door at the bottom of the surround that can be opened by flipping down 90°.

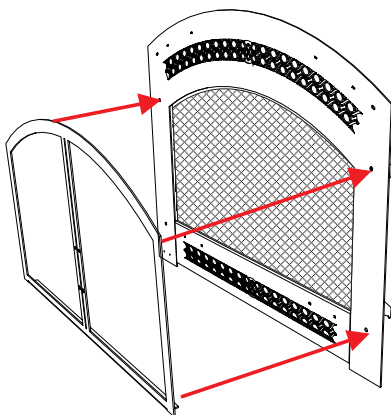
Surround attached by lower tabs only

2. Line up surround so it is parallel with the unit, lift surround slightly—lower gently until upper tabs seat into upper slots on the bracket within the unit.



DOUBLE DOOR INSTALLATION

1. The optional decorative double doors can be added to the Arch surround by attaching with 4 magnets as shown below.

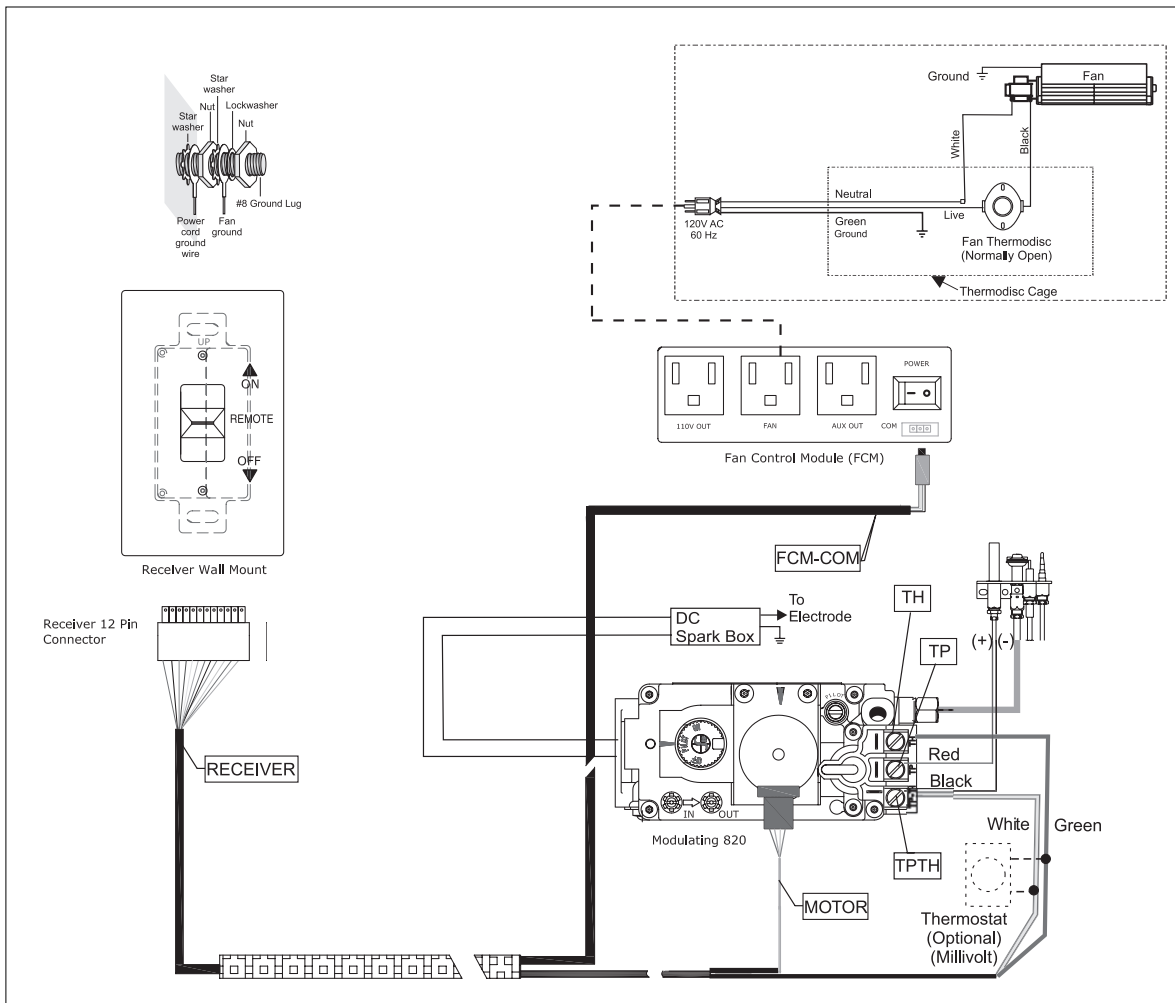


WIRING DIAGRAMS

This heater does not require a 120V A.C. supply for operation. In case of a power failure, the remote control/thermostat will continue to operate. However, a 120V A.C. power supply is needed for the fan/blower operation.

(Do not cut the ground terminal off under any circumstances.)

NOTE: Even if the fan is not purchased with the unit, it is still a good idea to bring power to the receptacle box (provided with the unit) in case the fan is installed at a later date.



CAUTION: Label all wires prior to disconnection when servicing controls. Wiring errors can cause improper and dangerous operation.

Caution: Ensure that the wires do not touch any hot surfaces and are away from sharp edges.

AERATION ADJUSTMENT

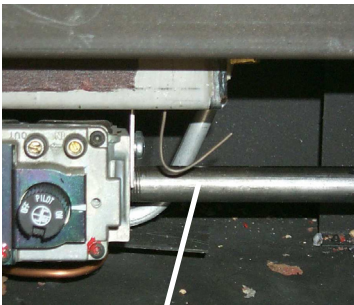
The air shutter can be adjusted by moving the adjusting wire up or down. The wire is accessed through the bottom louver opening. Open the air shutter for a blue flame or close for a more yellow flame. The burner aeration is factory set but may need adjusting due to either the local gas supply or altitude.

Minimum Air Shutter Opening:
 3/16" Natural Gas
 5/16" Propane

CAUTION: Carbon will be produced if air shutter is closed too much.

Note: Any damage due to carboning resulting from improperly setting the aeration controls is NOT covered under warranty.

Note: Aeration Adjustment should only be performed by an authorized Excalibur® Installer at the time of installation or service.



Adjustment Wire: Push to close or pull to open aeration cap.

Closed - Tall yellow
Open - Short Blue

OPERATING INSTRUCTIONS

1. Read and understand these instructions before operating this appliance.
2. Check to see that all wiring is correct and enclosed to prevent possible shock.
3. Check to ensure there are no gas leaks.
4. Make sure the glass in the door frame is properly positioned. Never operate the appliance with the glass removed.
5. Verify that the venting and cap are unobstructed.
6. Ensure that the brick panels, if used, are installed.
7. Verify log placement. If the pilot cannot be seen when lighting the unit, the logs have been incorrectly positioned.
8. The unit should never be turned off, and on again without a minimum of a 60 second wait.
9. Hook up remote receiver to wire marked 'receiver' which will be located on the bottom of the appliance. This remote control requires coding. See remote control instructions for details.

NOTE: This appliance will operate during power outages. Only the fan will not operate until power is restored. If the remote batteries in both the handheld transmitter or receiver lose power, the appliance can still be operated by sliding the switch on the receiver switch from "Remote" to "ON". To turn on the appliance off slide the receiver switch from "ON" to "Remote" or "OFF".

IMPORTANT: The remote control system supplied with this appliance has several options for starting/operating the appliance, please read the remote control operating instructions (packed with remote control) to understand how to operate this remote system. Option to download remote functions video with QR code below.



Proflame video

LIGHTING PROCEDURE

IMPORTANT
Prior to igniting or re igniting the pilot, remove the glass door.

Important: If the pilot does not hold, turn pilot knob to "OFF" position. Wait 5 minutes to clear gas. If you smell gas - STOP! Follow the safety information above. If you don't smell gas, repeat Steps 1-6.

1. Push in gas control knob slightly and turn to "PILOT" position.
2. Push in control knob all the way and hold in until the pilot lights up. Continue to hold the control knob in for about 20 seconds after the pilot is lit. Release knob.
3. Push in gas control knob slightly and turn to "ON" position.
4. Ensure the receiver is in the remote position.

Set Switch to Remote



Diagram 1

5. Press and release the ON/OFF button on the remote handheld transmitter. An audible beep should be heard from the receiver.



ON/OFF Button

Diagram 2

Remote shown in Manual Mode on Hi

6. The unit will turn on.

SHUTDOWN PROCEDURE

1. Press "OFF" on the remote or slide receiver switch from remote to "OFF".
2. Turn the gas control knob to the "OFF" position to turn off the pilot.

Pilot may be shut off during prolonged non use periods to conserve fuel.

FIRST FIRE

The first fire in your fireplace is part of the paint curing process. To ensure that the paint is properly cured, it is recommended that you burn your fireplace for at least four (4) hours the first time you use it with the fan on.

When first operated, the unit will release an odour caused by the curing of the paint, the burning off of any oils remaining from manufacturing. Smoke detectors in the house may go off at this time. Open a few windows to ventilate the room for a couple of hours.

The glass panel may require cleaning after the unit has cooled down. **DO NOT ATTEMPT TO CLEAN THE GLASS WHILE IT IS HOT.**

Note: When the glass is cold and the appliance is lit, it may cause condensation and fog the glass. This condensation is normal and will disappear in a few minutes as the glass heats up.

DO NOT BURN THE APPLIANCE WITHOUT THE GLASS FRONT IN PLACE.

During the first few fires, a white film may develop on the glass front as part of the curing process. The glass should be cleaned or the film will bake on and become very difficult to remove. Use a non-abrasive cleaner and NEVER clean the glass while it is hot.

COPY OF THE LIGHTING PLATE INSTRUCTIONS

NORMAL OPERATING SOUNDS OF GAS APPLIANCES

FOR YOUR SAFETY READ BEFORE LIGHTING

This appliance must be installed in accordance with local codes, if any; if none, follow the National Fuel Gas Code, ANSI Z223.1/NFPA 54, or Natural Gas and Propane Installation Codes, CSA B149.1.

WARNING: If you do not follow these instructions exactly, a fire or explosion may result causing property damage, personal injury or loss of life. Improper installation, adjustment, alteration, service or maintenance can cause injury or property damage. Refer to the owner's information manual provided with this appliance. For assistance or additional information consult a qualified installer, service agency or gas supplier.

AVERTISSEMENT: Quiconque ne respecte pas à la lettre les instructions dans la présente notice risquée déclencher un incendie ou une explosion entraînant des dommages, des blessures ou la mort.

Une installation, d'ajustement, de modification, de service ou d'entretien peut provoquer des blessures ou des dommages matériels. Reportez-vous au manuel du propriétaire de l'information fournie avec cet appareil. Pour obtenir de l'aide ou des informations supplémentaires consulter un installateur qualifié, une agence de service ou fournisseur de gaz.

A) This appliance is equipped with an ignition device which automatically lights the pilot.
Do not try to light the pilot by hand.

B) **BEFORE OPERATING** smell all around the appliance area for gas. Be sure to smell next to the floor because some gas is heavier than air and will settle on the floor.

WHAT TO DO IF YOU SMELL GAS

- Do not try to light any appliance.
- Do not touch any electric switch, do not use any phone in your building.
- Immediately call your gas supplier from a neighbours phone. Follow the gas supplier's instructions.
- If you cannot reach your gas supplier, call the fire department.

C) Do not use this appliance if any part has been under water. Immediately call a qualified service technician to inspect the appliance and replace any part of the control system and any gas control which has been underwater.

A) Cet appareil est muni d'un dispositif d'allumage qui allume automatiquement la veilleuse.
Ne tentez pas d'allumer la veilleuse manuellement.

B) **AVANT DE FAIRE FONCTIONNER**, reniflerez tout autour de l'appareil pour détecter une odeur de gaz. Reniflerez près du plancher, car certains gaz sont plus lourds que l'air et peuvent s'accumuler au niveau du sol.

QUE FAIRE SI VOUS SENTEZ UNE ODEUR DE GAZ :

- Ne pas tenter d'allumer d'appareil
- Ne touchez à aucun interrupteur; ne pas vous servir des téléphones se trouvant dans le bâtiment.
- Appelez immédiatement votre fournisseur de gaz depuis un voisin. Suivez les instructions du fournisseur.
- Si vous ne pouvez rejoindre le fournisseur, appelez le service des incendies

C) N'utilisez pas cet appareil s'il a été plongé dans l'eau, même partiellement. Faites inspecter l'appareil par un technicien qualifié et remplacez toute partie du système de contrôle et toute commande qui ont été plongés dans l'eau.

CAUTION: Hot while in operation. Do not touch. Severe Burns may result. Due to high surface temperatures keep children, clothing and furniture, gasoline and other liquids having flammable vapors away. Keep burner and control compartment clean. See installation and operating instructions accompanying appliance.

LIGHTING INSTRUCTIONS

Important: If the pilot does not hold, turn pilot knob to "OFF" position. Wait 5 minutes to clear gas. If you smell gas - STOP! Follow the safety information above. If you don't smell gas, repeat Steps 1-6.

- 1) Push in gas control knob slightly and turn to "PILOT" position.
- 2) Push in control knob all the way and hold in until the pilot lights up. Continue to hold the control knob in for about 20 seconds after the pilot is lit. Release knob.
- 3) Push in gas control knob slightly and turn to "ON" position.
- 4) Ensure the receiver is in the remote position.
- 5) Press and release the ON/OFF button on the remote handheld transmitter. An audible beep should be heard from the receiver.
- 6) The unit will turn on.

Important : Si le pilote ne tient pas, tourner le bouton pilote en position "ARRÊT". Attendre 5 minutes pour effacer du gaz. Si vous avez une odeur de gaz - STOP ! Suivez les consignes de sécurité ci-dessus. Si vous n'avez pas une odeur de gaz, répétez les étapes 1 à 6.

- 1) Enfoncez légèrement le bouton de réglage du gaz et tournez-le à la position « PILOT » (VEILLEUSE).
- 2) Enfoncez le bouton de réglage jusqu'au fond et tenez-le jusqu'à ce que la veilleuse s'allume. Tenez le bouton de réglage enfoncé environ 20 secondes après l'allumage de la veilleuse. Relâchez le bouton.
- 3) Enfoncez légèrement le bouton de réglage et tournez-le à la position « ON » (EN MARCHÉ).
- 4) S'assurer que l'interrupteur mural/récepteur soit en position télécommande.
- 5) Appuyer sur la touche ON/OFF de la télécommande et relâcher. Un bip sonore se fera entendre depuis le récepteur
- 6) Les flammes s'allumeront.

TO TURN OFF GAS APPLIANCE

- 1) Press "OFF" on the remote or slide receiver switch from remote to "OFF".
- 2) Turn the gas control knob to the "OFF" position to turn off the pilot.
Pilot may be shut off during prolonged non use periods to conserve fuel.

- 1) Appuyez sur le bouton "OFF" sur la télécommande ou sur la diapositive interrupteur récepteur de télécommande sur "OFF".
- 2) Mettre le bouton de commande de gaz en position OFF pour éteindre la veilleuse.
Pour économiser le carburant, éteignez la veilleuse quand l'appareil reste longtemps inutilisé.

DO NOT REMOVE THIS INSTRUCTION PLATE

919-456

It is possible that you will hear some sounds from your gas appliance. This is perfectly normal due to the fact that there are various gauges and types of steel used within your appliance. Listed below are some examples. All are **normal operating sounds** and should not be considered as defects in your appliance.

Blower:

Excalibur® gas appliances use high tech blowers to push heated air farther into the room. It is not unusual for the fan to make a "whirring" sound when ON. This sound will increase or decrease in volume depending on the speed setting of your fan speed control.

Burner Tray:

The burner tray is positioned directly under the burner tube(s) and logs and is made of a different gauge material from the rest of the firebox and body. Therefore, the varying thicknesses of steel will expand and contract at slightly different rates which can cause "ticking" and "cracking" sounds. You should also be aware that as there are temperature changes within the unit these sounds will likely re-occur. Again, this is normal for steel fireboxes.

Blower Thermodisc:

When this thermally activated switch turns ON it will create a small "clicking" sound. This is the switch contacts closing and is normal.

Pilot Flame:

While the pilot flame is on it can make a very slight "whisper" sound.

Gas Control Valve:

As the gas control valve turns ON and OFF, a dull clicking sound may be audible, this is normal operation of a gas regulator or valve.

Unit Body/Firebox:

Different types and thicknesses of steel will expand and contract at different rates resulting in some "cracking" and "ticking" sounds will be heard throughout the cycling process.

MAINTENANCE INSTRUCTIONS

1. Always turn off the gas valve before cleaning. For relighting, refer to lighting instructions. Keep the burner and control compartment clean by brushing and vacuuming at least once a year. When cleaning the logs, use a soft clean paint brush as the logs are fragile and easily damaged.
2. Clean appliance and door with a damp cloth (never when unit is hot). Never use an abrasive cleaner. The glass should be cleaned with a gas fireplace glass cleaner. **The glass should be cleaned when it starts looking cloudy.**
3. The heater is finished in a heat resistant paint and should only be refinished with heat resistant paint. Excalibur® uses StoveBright Paint - Metallic Black #6309.
4. Make a periodic check of burner for proper position and condition. Visually check the flame of the burner periodically, making sure the flames are steady; not lifting or floating. If there is a problem, call a qualified service person.
5. The appliance and venting system must be inspected before use, and at least annually, by a qualified field service person, to ensure that the flow of combustion and ventilation air is not obstructed.

Note: Never operate the appliance without the glass properly secured in place.

6. Do not use this appliance if any part has been under water. Immediately call a qualified service technician to inspect the appliance and to replace any part of the control system and any gas control which has been under water.
7. Verify operation after servicing.

General Vent Maintenance

Conduct an inspection of the venting system semi-annually. Recommended areas to inspect as follows:

1. Check the Venting System for corrosion in areas that are exposed to the elements. These will appear as rust spots or streaks, and in extreme cases, holes. These components should be replaced immediately.
2. Remove the Cap, and shine a flashlight down the Vent. Remove any bird nests, or other foreign material.
3. Check for evidences of excessive condensation, such as water droplets forming

in the inner liner, and subsequently dripping out the joints. Continuous condensation can cause corrosion of caps, pipe, and fittings. It may be caused by having excessive lateral runs, too many elbows, and exterior portions of the system being exposed to cold weather.

4. Inspect joints, to verify that no pipe sections or fittings have been disturbed, and consequently loosened. Also check mechanical supports such as Wall Straps, or plumbers' tape for rigidity.

LOG REPLACEMENT

The unit should never be used with broken logs. Turn off the gas valve and allow the unit to cool before opening door and carefully remove the logs. (The pilot light generates enough heat to burn someone.) If for any reason a log should need replacement, you must use the proper replacement log. The position of these logs must be as shown in the diagrams under Log Installation.

Note: Improper positioning of logs may create carbon build-up and will severely alter the unit's performance which is not covered under warranty.

THERMOPILE/ THERMOCOUPLE

1. Remove faceplate, safety screen and glass door.
2. Remove Logs and burner (if installed).
3. Remove rear log tray by removing 2 screws.
4. Remove pilot assembly by removing 2 screws.
5. Pull pilot assembly up slightly and loosen the thermocouple or thermopile with a 7/16" wrench.
6. Loosen the thermocouple or thermopile with a 7/16" wrench.
7. Disconnect thermocouple by loosening nut from the valve with a 9mm wrench. Disconnect thermopile by loosening 2 screws marked TP on the valve.
8. Drop the thermocouple or thermopile down from the bracket and pull it out of the unit.
9. Reinstall the new ones in reverse order.

GLASS GASKET

If the glass gasket requires replacement use a tadpole glass gasket (Part # 936-155..

DOOR GLASS

Your Excalibur® fireplace is supplied with high temperature, 5 mm Neoceram ceramic glass that will withstand the highest heat that your unit will produce. If your glass requires cleaning, we recommend using an approved glass cleaner available at all authorized dealers. Do not use abrasive materials. Do not clean the glass when hot.

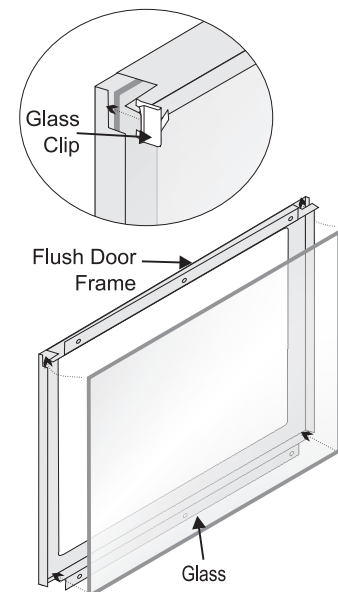
In the event that you break your glass by impact, purchase your replacement from an authorized Excalibur® dealer only, and follow our step-by-step instructions for replacement.

WARNING: Do not operate the appliance with the glass panels removed, cracked or broken. Replacement of the glass panels should be done by a licensed or qualified service person.

Caution: Wear gloves when removing damaged or broken glass.

Glass Replacement

Remove the glass door front (Refer to the "Glass Door Installation" section). Remove the 4 glass clips from each corner. Slide in the new replacement glass. Push the 4 glass clips back onto the frame. **The glass must have gasketing around it.**



FAN MAINTENANCE

120 Volt AC power is needed for the fan. The fan can be hard wired if desired. The outlet should be installed in the receptacle box on the left hand side by a qualified electrician. The neutral (wider) slot of the polarized outlet should be at the top.

Unit must be grounded at all times. Do not cut the ground terminal off under any circumstances. To Install the Fan

1. Shut the power off.
2. Remove the bottom louver door.
3. Slide the fan in towards the rear of the unit and slip it over the two mounting studs. Take care not to damage the insulation on the fan base. **Ensure that the fan blades do not rub against the valve tubing.** Diagram 1.

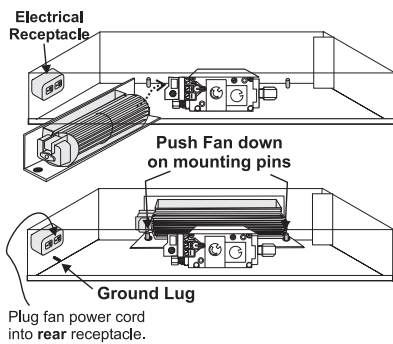


Diagram 1

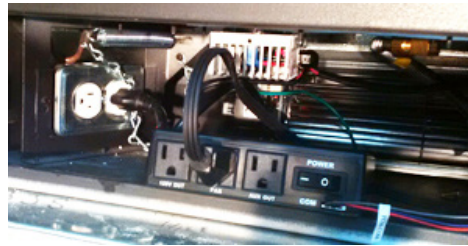


Diagram 2

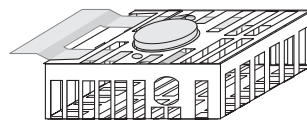
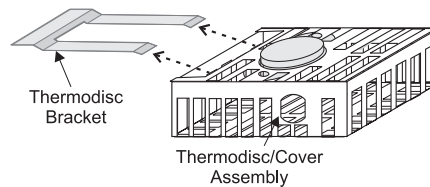


Diagram 3

8. Secure the fan wires and power cord by attaching one of the adhesive backed wire holder clips onto the stove base. Use the second clip to bundle up the wires approximately 4" from the control box. Ensure that there is no interference with the wires when the louver is closed and that no wire will touch the hot metal surfaces or sharp edges.
9. Plug the fan power cord into the rear end of the receptacle box to provide the maximum clearance from the louvers.

IMPORTANT:
THESE FANS COLLECT A LOT OF DUST FROM WITHIN YOUR HOME. ENSURE YOU MAINTAIN THESE FAN MOTORS ON A REGULAR BASIS BY VACUUMING THE FAN BLADES AND THE HOUSING WITH A SOFT BRUSH NOZZLE.

4. Connect fan ground cable to ground lug. Refer to wiring diagram.
5. Slide the thermodisc/cover assembly into the bracket clip on the underside of the firebox. Check that no wire will touch the hot surfaces. Diagram 2.
6. Install the Fan Control Module (FCM) on the base of the unit to the left of the gas valve. Plug the FCM into the outlet.
7. Plug in the fan power cord to the Fan Control Module into the outlet marked "Fan". Plug the FCM-COM wire from the remote control wiring harness into the location on the Fan Control Module marked "COM". Turn the switch on the Fan Control Module to the ON position. ON is to the left. The "O" is the off position.

To Remove the Fan

1. Shut the power off.
2. Reverse the above instructions.

Note: The bearings are lubricated for life. Do not lubricate them. Make sure you vacuum the fan area on a regular basis.

IMPORTANT:

These fans collect a lot of dust from within your home. Ensure you maintain these fan motors on a regular basis by vacuuming out the fan blades and housing using a soft brush nozzle.

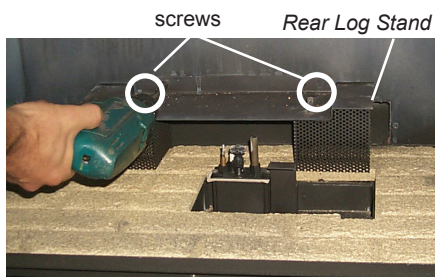
REMOVING VALVE

1. Shut off electrical and gas supply.
2. Remove the facade if installed.
3. Remove the glass door (Refer to the "Glass Door Installation" section).
4. Remove the logs.
5. Remove the burner/grate assembly by removing the two screws and then slide the burner assembly to the left and lift out.

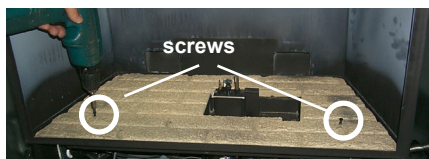


Diagram 1: Remove the left and right screws and then slide the burner/grate assembly to the left and lift out.

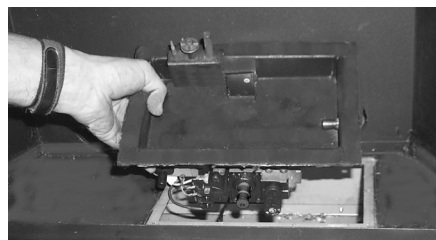
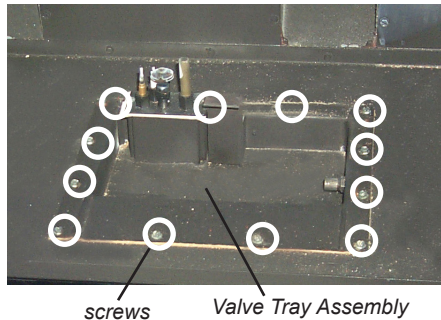
6. Remove the rear log stand by removing the 2 screws.



7. Remove the 2 screws & sleeves on the bottom brick panel and lift out the bottom brick panel. **The brick panel is very fragile - handle with care.**



8. Disconnect the inlet gas line. See dia. 2.
9. Unplug spark ignition wire and two connection wires at DC sparker.
10. Disconnect the 2 TP wires and the 2 TH wires from the valve.



11. Remove the 12 Phillips head screws securing the valve tray assembly in place and then lift the entire assembly out.
12. Undo the pilot tube from the valve with a 7/16" wrench.
13. Undo the quick drop out thermocouple nut on the valve with a 9mm (metric) wrench.
14. Undo the "gas out" flare nut with a 13/16" wrench.
15. Undo the "gas out" flare fitting with an 11/16" wrench.
16. Remove the 4 screws from the sides of the valve bracket and remove valve.

Hint: If you are using black pipe, ensure that there is a union by the valve, otherwise removal will be almost impossible.

INSTALLING VALVE

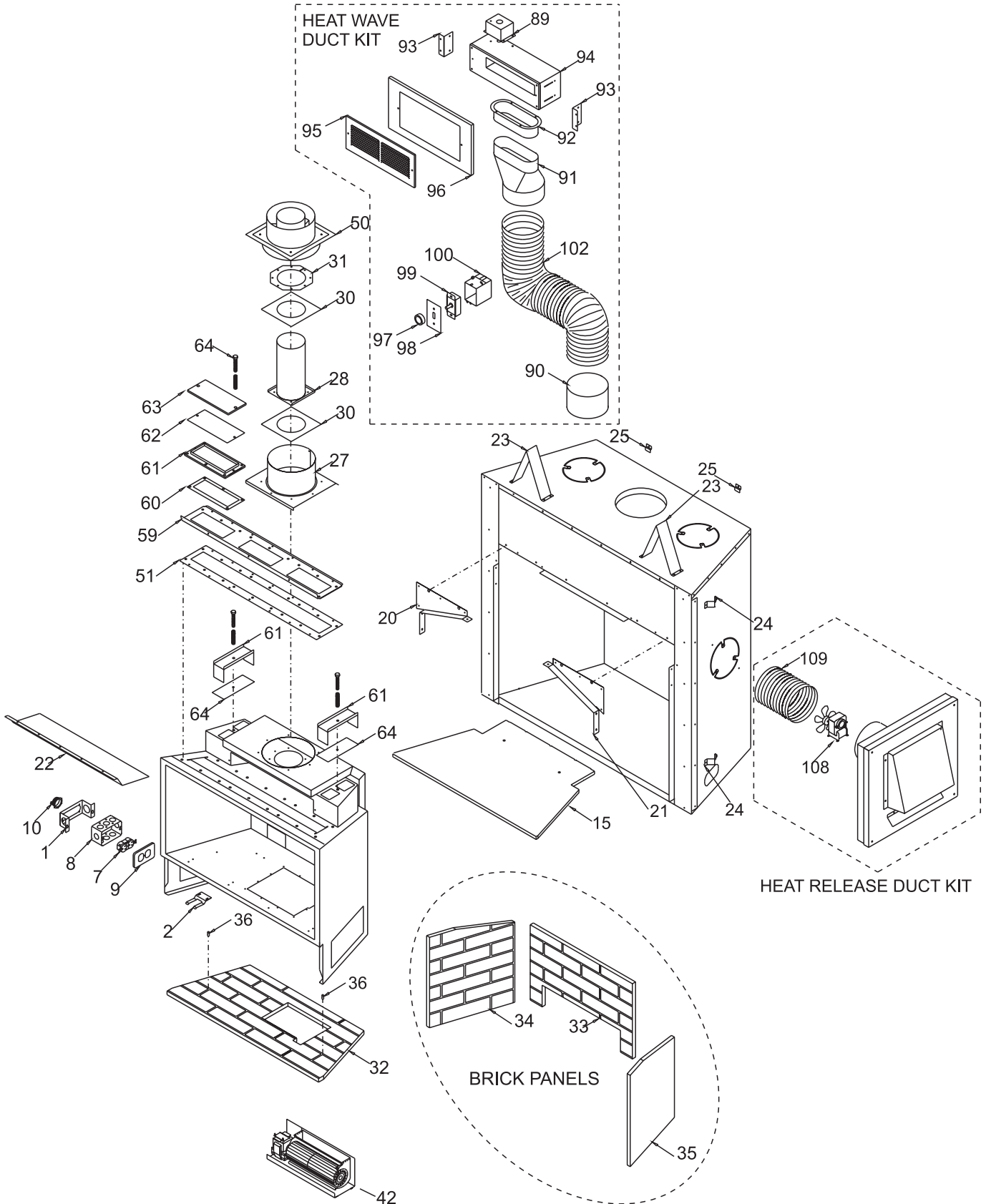
1. Attach the valve to the valve bracket with the 4 (m5x8 metric) screws provided.
2. Reconnect the "gas out" flare fitting with an 11/16" wrench.
3. Reconnect the "gas out" flare nut with a 13/16" wrench.
4. Reconnect the quick drop out thermocouple nut with a 9mm wrench.
5. Reconnect the pilot tube nut with a 7/16" wrench.
6. Scrape off the old gasket from the floor of the firebox and from the valve tray assembly.
7. Install a new gasket and reinstall the valve tray assembly.

Note: Failure to install a new gasket may severely affect the appliance performance.

8. Reinstall the 10 hold down screws.
9. Hook up the 2 TP and 2 TH wires to the appropriate connections on the valve.
10. Plug in spark ignition wire and reinstall two connection wires at DC sparker.
11. Reinstall the bottom brick panel, then screw the 2 screws & sleeves through the brick panel to the firebox base (reversing step 8. leaving them about 1/4" (6mm) above the brick panel. Reinstall the rear log stand.
12. Install Burner/grate assembly
13. Hook up the gas line and check for gas leaks with a soap and water solution or a gas leak detector. (Do not use open flame for leak testing.)
14. Fire up the unit temporarily
15. Check the manifold pressure.
16. Reinstall the logs and brick panels as needed.
17. Reinstall the glass door and the facade.
18. Fire up the unit again and check for proper flame appearance and glow on logs.

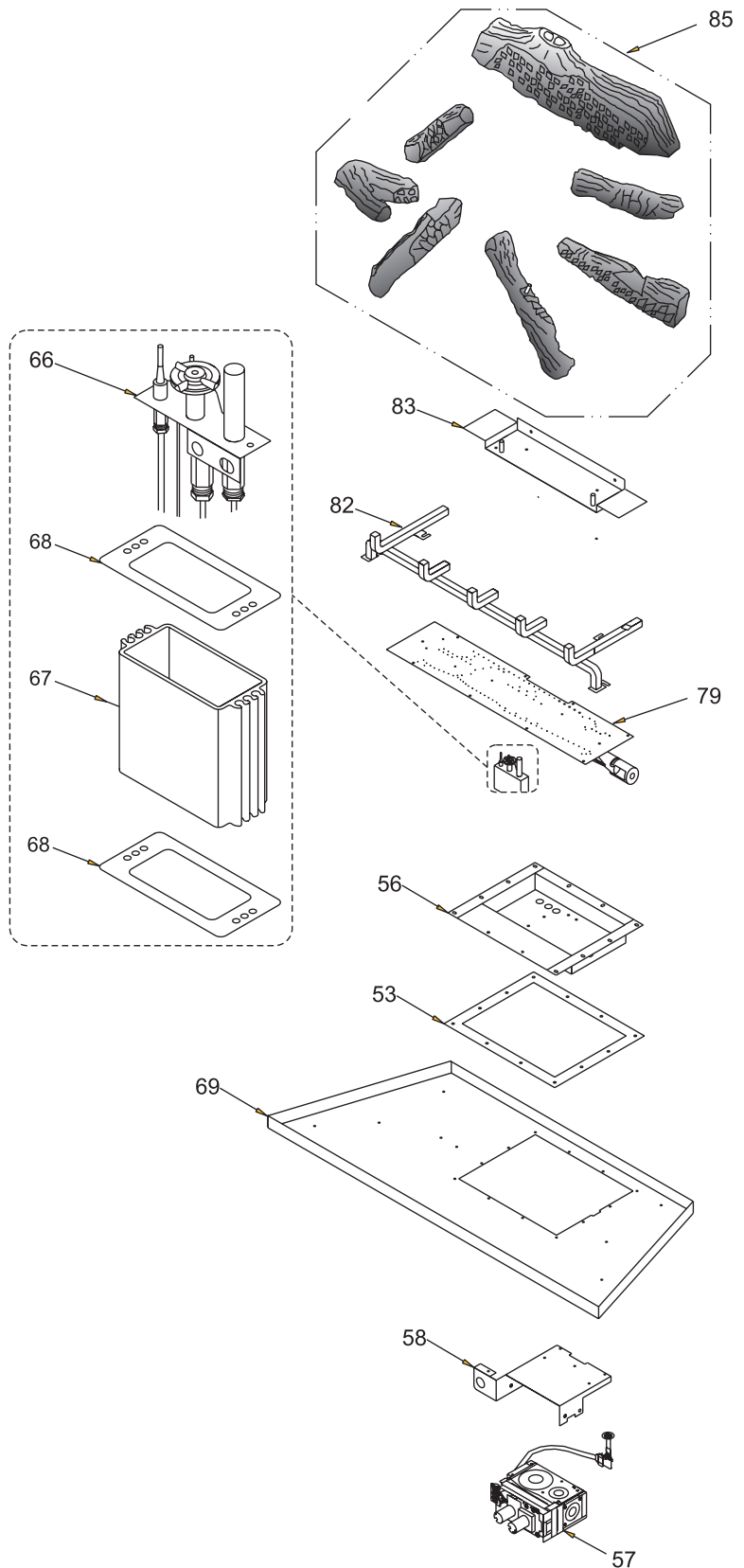
MAIN ASSEMBLY

Part #	Description	Part #	Description	Part #	Description
1.	430-129 Receptacle Box Mount	43.	911-159 Power Cord (120 Volts)		
2.	* Thermodisc Bracket			946-570	Heat Release Duct Kit (Optional)
7.	910-428 Duplex Receptacle	50.	510-994 Rigid Pipe Adaptor (Optional)	108.	910-165 Fan (120 V)
8.	910-429 Box - Receptacle	51.	790-011 Relief Frame Gasket	109.	946-000 Flexible Air Release Duct
9.	910-430 Cover - Receptacle	59.	790-009 Relief Door Mounting Plate		
10)	904-687 Clamp Connector	60.	W260260 Top Relief Frame Gasket	919-495	Manual
		61.	942-117 Top Relief Plate Frame	792-969	Conversion Kit - NG to LP
15.	* Heat Shield - Base	62.	W260280 Top Relief Plate Gasket		
20)	790-021 Front Filler - Left Corner	63.	290-021 Air Baffle Plate		
21.	790-022 Front Filler - Right Corner	64.	790-093 Gasket - Exchanger Relief		*Not available as a replacement part.
			946-556 Heat Wave Duct Kit (Optional)		
22.	790-012 Baffle	89.	946-004 Junction Box		
23.	780-011 Standoff - Top	90.	946-000 Round Duct Adaptor		
24.	780-013 Standoff - Side	91.	946-002 Round to Oval Adaptor		
25.	780-091 Standoff - Rear	92.	946-001 Oval Duct Adaptor		
		93.	946-007 Angle Bracket		
27.	* Outer Flue Collar	94.	946-517/P Fan Assy - HeatWave Option		
28.	* Inner Flue Collar Assy	95.	946-006 Grill Plate - White		
30)	* Gasket for Flue Collar	96.	946-005 Wall Adaptor Plate - White		
31.	* Flue Mounting Bracket	97.	910-417 Knob - White		
		98.	910-366 Switch Cover Plate - White		
32.	902-600 Brick Panel - Base	99.	910-412 Fan Speed Controller		
	790-901 Brick Panel Set - Standard Brown	100.	910-367 Box-Plastic Switch Receptacle		
	790-902 Brick Panel Set - Standard Red	102.	946-010 Flexible Air Duct		
	790-903 Brick Panel Set - Herringbone Brown		946-038 Insulation 6" dia. x 24"		
33.	* Brick Panel - Back				
34.	* Brick Panel - Left				
35.	* Brick Panel - Right				
36.	904-716 #10 x 5/8" Butt Spacer				
	511-031 Brick Panel Clip				



BURNER ASSEMBLY & LOG SET

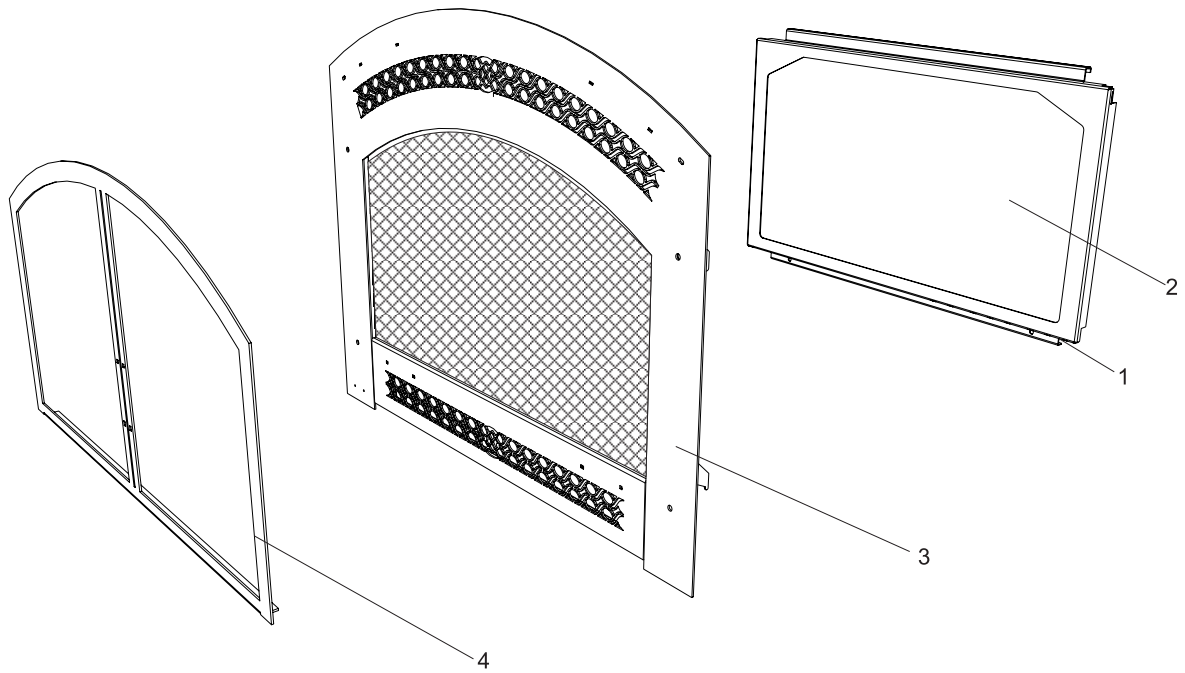
Part #	Description
53. 780-021	Gasket - Valve Access Plate
792-574/P	Valve Assy - Natural Gas
792-576/P	Valve Assy - Propane
56. *	Valve Tray - NG/LP
57. 910-578	Valve - S.I.T. - NG
910-580	Valve - S.I.T. - LP
58. *	Valve Bracket
65. *	Pilot Bracket
66. 910-038	Pilot Assy-NG 3 way flame - S.I.T.
910-039	Pilot Assy-LP 3 way flame - S.I.T.
904-617	Orifice #34 - Natural Gas
904-645	Orifice #51 - Propane
936-170	Orifice Gasket
910-581	Stepper Motor NG
910-582	Stepper Motor LP
910-572	Remote Receiver
910-592	Remote handheld (GTMF)
911-127	Battery Compartment Door
910-036	Pilot Orifice NG
910-037	Pilot Orifice LP
910-096	Pilot Hood
910-341	Thermopile
910-386	Thermocouple
910-432	Pilot Tube w/nuts
910-073	DC Spark box
910-074	DC spark box wire
911-030	Fan Control Module
792-969	Conversion Kit LP
911-032	Valve/Remote Wiring Harness
910-142	Fan Thermodisc
911-159	120 volt power cord
67. *	Pilot Holder
68. W840470	Pilot Assembly Gasket
69. *	Firebox Base
79. 791-535	Burner Assy - NG/LP
82. 511-030	Burner Grate Assy
83. 780-520	Rear Log Support Bracket
85. 780-930	Log Set (Complete)



*Not available as a replacement part.

ARCH SURROUND AND SAFETY SCREEN ASSEMBLY

Part #	Description
1.	792-137 Flush door frame
2.	940-326/P Flush glass
	936-155 Glass Gasket (tadpole)
3.	792-920 Arch surround with safety screen
4.	792-950 Black Double doors





Regency Fireplace Products are designed with reliability and simplicity in mind. In addition, our internal Quality Assurance Team carefully inspects each unit thoroughly before it leaves our facility. FPI Fireplace Products International Ltd. is pleased to extend this limited lifetime warranty to the original purchaser of a Excalibur Product. This warranty is not transferable.

The Warranty: Limited Lifetime

The combustion chamber, heat exchanger, burner tubes/pans, logs, brick panels and gold plating (against defective manufacture only) are covered under the Limited Lifetime Warranty for five (5) years for parts and subsidized labour* and parts only thereafter.

Glass is covered for lifetime against thermal breakage only, parts and subsidized labour* for five (5) years and parts only thereafter from date of purchase.

External casting, surrounds and grills are covered against cracks and warps resulting from manufacturer defects, parts and subsidized labour* for three (3) years from the date of purchase and parts only thereafter.

Special Finishes - One year on brushed nickel, black chrome and antique copper full screens, Vignette Faceplates and doors. You can expect some changes in color as the product "ages" with constant heating and cooling. FPI warranties the product for any manufacturing defects on the original product. However, the manufacturers warranty does not cover changing colors and marks, ie. finger prints, etc applied after the purchase of the product. Damage from the use of abrasive cleaners is not covered by warranty.

Electrical and mechanical components such as blowers, switches, wiring, thermodiscs, FPI remote controls, spill switches, thermopiles, thermocouples, pilot assembly components, and gas valves are covered for two years parts and one year subsidized labour* from the date of purchase. Blowers and valves replaced under warranty are considered repairs and continue as if new with appliance. ie. twelve (12) months from original purchase date of appliance with a minimum of three (3) months coverage from date of replacement.

FPI venting components are covered parts and subsidized labour* for three (3) years from date of purchase.

Simpson Dura-Vent venting components (Direct Vent units) are covered by Simpson Dura-Vent Inc. warranty.

Repair/replacement parts purchased by the consumer from FPI after the original coverage has expired on the unit will carry a 90 day warranty, valid with a receipt only. Any item shown to be defective will be repaired or replaced at our discretion. No labor coverage is included with these parts.

Conditions:

Any part or parts of this unit which in our judgement show evidence of such defects will be repaired or replaced at FPI's option, through an accredited distributor or agent provided that the defective part be returned to the distributor or agent Transportation Prepaid, if requested.

Porcelain/Enamel - Absolute perfection is either guaranteed nor commercially possible. Any chips must be reported and inspected by an authorized dealer within three days of installation. Reported damage after this time will be subject to rejection.

It is the general practice of FPI to charge for larger, higher priced replacement parts and issue credit once the replaced component has been returned to FPI and evaluated for manufacturer defect.

The authorized selling dealer is responsible for all in-field service work carried out on your Regency product. FPI will not be liable for results or costs of workmanship from unauthorized service persons or dealers.

At all times FPI reserves the right to inspect product in the field which is claimed to be defective.

All claims must be submitted to FPI by authorized selling dealers. It is essential that all submitted claims provide all of the necessary information including customer name, purchase date, serial #, type of unit, problem, and part or parts requested, without this information the warranty will be invalid.

Exclusions:

This limited Lifetime Warranty does not extend to or include paint, door or glass gasketing or trim.

At no time will FPI be liable for any consequential damages which exceed the purchase price of the unit. FPI has no obligation to enhance or modify any unit once manufactured. ie. as products evolve, field modifications or upgrades will not be performed.

FPI will not be liable for travel costs for service work.

Installation and environmental problems are not the responsibility of the manufacturer and therefore are not covered under the terms of this warranty policy.

Embers, rockwool, gaskets, door handles and paint are not covered under the terms of this warranty policy.

Any unit which shows signs of neglect or misuse is not covered under the terms of this warranty policy.

The warranty will not extend to any part which has been tampered with or altered in any way, or in our judgment has been subject to misuse, improper installation, negligence or accident, spillage or downdrafts caused by environmental or geographical conditions, inadequate ventilation, excessive offsets, negative air pressure caused by mechanical systems such as furnaces, fans, clothes dryer, etc.

Freight damage to stoves and replacement parts is not covered by warranty and is subject to a claim against the freight carrier by the dealer.

FPI will not be liable for acts of God, or acts of terrorism, which cause malfunction of the appliance.

Performance problems due to operator error will not be covered by this warranty policy.

Products made or provided by other manufacturers and used in conjunction with the operation of this appliance without prior authorization from FPI, may nullify your warranty on this product.

Any alteration to the unit which causes sooting or carboning that results in damage to the interior / exterior facia is not the responsibility of FPI.

* Subsidy according to job scale as predetermined by FPI.

Register your Regency® warranty online www.regency-fire.com

Reasons to register your product online today!

- View and modify a list of all your registered products.
- Request automatic email notification of new product updates.
- Stay informed about the current promotions, events, and special offers on related products.

Installer: Please complete the following information

Dealer Name & Address: _____

Installer: _____

Phone #: _____

Date Installed: _____

Serial No.: _____