



# Regency Horizon™ HZ42STE Gas Fireplace

Owners &  
Installation Manual

MODELS: HZ42STE-NG Natural Gas  
HZ42STE-LP Propane



Horizon HZ42ST Product Video

[www.regency-fire.com](http://www.regency-fire.com)

**WARNING:**

If the information in these instructions are not followed exactly, a fire or explosion may result causing property damage, personal injury or loss of life.

**FOR YOUR SAFETY**

Do not store or use gasoline or other flammable vapors and liquids in the vicinity of this or any other appliance.

Installation and service must be performed by a qualified installer, service agency or the gas supplier.

**FOR YOUR SAFETY**

What to do if you smell gas:

- Do not try to light any appliance
- Do not touch any electrical switch: do not use any phone in your building.
- Immediately call your gas supplier from a neighbour's phone. Follow the gas supplier's instructions.
- If you cannot reach your gas supplier, call the fire department.

Tested by:




*Installer:* Please complete the details on the back cover and leave this manual with the homeowner.  
*Homeowner:* Please keep these instructions for future reference.

To the New Owner:

Congratulations!

You are the owner of a state-of-the-art Gas Fireplace by REGENCY®. The HZ42STE has been designed to provide you with all the warmth and charm of a fireplace at the flick of a switch. The model HZ42STE has been approved by Warnock Hersey/Intertek for both safety and efficiency. As it also bears our own mark, it promises to provide you with economy, comfort and security for many trouble free years to follow. Please take a moment now to acquaint yourself with these instructions and the many features of your Regency® Fireplace.



# WARNING!



**HOT GLASS WILL  
CAUSE BURNS**

**DO NOT TOUCH GLASS  
UNTIL COOLED**

**NEVER ALLOW CHILDREN  
TO TOUCH GLASS**



*Regency Horizon  
Gas Inserts Benefits Video*



*Horizon HZ42ST Product Video*



**NATIONAL  
FIREPLACE  
INSTITUTE**  
**CERTIFIED**  
www.nficertified.org

We recommend that our products be installed and serviced by professionals who are certified in the U.S. by the National Fireplace Institute® (NFI) or in Canada by Wood Energy Technical Training (WETT).



**Wood Energy  
Technical Training**  
www.wettinc.ca



---

## **MANUFACTURED MOBILE HOME REQUIREMENTS**

### **INFORMATION FOR MOBILE/MANUFACTURED HOMES AFTER FIRST SALE**

This Regency® product has been tested and listed by Warnock Hersey/Intertek as a Direct Vent Wall Furnace to the following standards: VENTED GAS FIREPLACE HEATERS ANSI Z21.88a-2007 / CSA 2.33a-2007 and GAS-FIRED APPLIANCES FOR USE AT HIGH ALTITUDES CAN / CGA 2.17-M91.

This Direct Vent System Appliance must be installed in accordance with the manufacturer's installation instructions and the Manufactured Home Construction and Safety Standard, Title 24 CFR, Part 3280, or the current Standard of Fire Safety Criteria for Manufactured Home Installations, Sites, and Communities ANSI/NFPA 501A, and with CAN/CSA Z240-MH Mobile Home Standard in Canada.

This appliance installation must comply with the manufacturer's installation instructions and local codes, if any. In the absence of local codes follow the current National Fuel Gas Code, ANSI Z223.1 and the current National Electrical Code ANSI/NFPA 70 in the U.S.A., and the current CAN/CGA B149 Gas Installation Code and the current Canadian Electrical Code CSA C22.1 in Canada.

This appliance comes equipped with a dedicated #8 Ground Lug for attachment of the ground wire to the steel chassis as applicable to local codes.

The appliance, when installed, must be electrically grounded in accordance with local codes or, in the absence of local codes, with the National Electrical Code, ANSI/NFPA 70, or the Canadian Electrical Code, CSA C22.1.

This appliance may only be installed in an aftermarket permanently located, manufactured (U.S.A only) or mobile home, where not prohibited by local codes.

This appliance can only be used with the type of gas indicated on the rating plate. This appliance is not convertible for use with other gases.

Ensure that structural members are not cut or weakened during installation.

# TABLE OF CONTENTS

## SAFETY LABEL

|                               |   |
|-------------------------------|---|
| Copy of the safety label..... | 5 |
|-------------------------------|---|

## REQUIREMENTS

|                            |   |
|----------------------------|---|
| MA Code - CO Detector..... | 6 |
|----------------------------|---|

## DIMENSIONS

|                       |   |
|-----------------------|---|
| Unit Dimensions ..... | 7 |
|-----------------------|---|

## INSTALLATION

|   |    |
|---|----|
| Important Message .....                             | 8  |
| Before You Start .....                              | 8  |
| General Safety Information.....                     | 8  |
| Installation Checklist.....                         | 9  |
| Locating Your Gas Fireplace .....                   | 9  |
| Clearances .....                                    | 10 |
| Non-Combustible Requirements .....                  | 10 |
| Mantel Leg Clearances.....                          | 11 |
| Mantel Clearances.....                              | 11 |
| Unit Assembly Prior To Installation .....           | 12 |
| Standoff Assembly.....                              | 12 |
| Horizontal vent Deflector installation .....        | 12 |
| Nailing Strips.....                                 | 12 |
| Framing & Finishing.....                            | 13 |
| Framing dimensions .....                            | 14 |
| Vent Restrictor Position .....                      | 15 |
| Exterior Vent Termination Requirements .....        | 16 |
| 4" x 6-5/8" Rigid Pipe Cross Reference Chart .....  | 17 |
| Venting Introduction.....                           | 19 |
| Venting Arrangements .....                          | 19 |
| Allowable Horizontal Terminations for HZ42 ST ..    | 19 |
| Horizontal Terminations.....                        | 20 |
| Flex Vent 4" x 6-5/8" .....                         | 20 |
| Rigid/flex Pipe Venting Systems.....                | 21 |
| Horizontal or Vertical Terminations .....           | 21 |
| Horizontal Terminations .....                       | 22 |
| Rigid Pipe 4" x 6-5/8" .....                        | 22 |
| vertical terminations.....                          | 25 |
| Rigid Pipe 4" x 6-5/8" .....                        | 25 |
| Vertical Terminations .....                         | 26 |
| Rigid Pipe 4" x 6-5/8" .....                        | 26 |
| Unit Installation with Horizontal Termination ..... | 28 |
| 4" x 6-5/8" venting .....                           | 28 |
| Unit Installation with Horizontal Termination ..... | 29 |
| Unit installation with Vertical Termination .....   | 30 |
| 4" x 6-5/8" venting .....                           | 30 |
| High Elevation Gas Line Installation.....           | 31 |
| Pilot Adjustment.....                               | 31 |

|   |    |
|---|----|
| Gas Pipe Pressure Testing.....                      | 31 |
| 886 S.I.T. Valve Description.....                   | 31 |
| Aeration Adjustment .....                           | 31 |
| Battery & on   off switch installation.....         | 32 |
| Wiring Diagram .....                                | 33 |
| Optional accent lighting Wiring Diagram .....       | 34 |
| Optional Wall Thermostat .....                      | 36 |
| Optional Remote Control.....                        | 36 |
| GT/GTm remote features .....                        | 36 |
| Wall Switch.....                                    | 36 |
| GT remote installation .....                        | 37 |
| GTM remote installation .....                       | 38 |
| Optional Reflective Panel Installation.....         | 40 |
| Optional light Installation .....                   | 41 |
| Glass Crystals or optional stones Installation..... | 44 |
| Optional log set installation.....                  | 46 |
| Glass door Installation.....                        | 48 |
| Faceplate Installation.....                         | 49 |

## OPERATING INSTRUCTIONS

|  |    |
|--|----|
| Operating Instructions .....                   | 51 |
| First Fire .....                               | 51 |
| Lighting Procedure .....                       | 51 |
| Shutdown Procedure.....                        | 51 |
| Normal Operating Sounds of Gas Appliances..... | 51 |
| Copy of Lighting Plate Instructions.....       | 52 |
| Maintenance Instructions.....                  | 53 |
| General Vent Maintenance.....                  | 53 |
| Glass Gasket.....                              | 53 |
| Glass Door.....                                | 53 |
| Glass Replacement .....                        | 53 |
| Glass Door Removal .....                       | 54 |
| Valve Tray Replacement.....                    | 55 |

## PARTS LIST

|                     |    |
|---------------------|----|
| Main Assembly ..... | 57 |
| Accessories .....   | 58 |


## WARRANTY

|                                      |    |
|--------------------------------------|----|
| The Warranty: Limited Lifetime ..... | 61 |
|--------------------------------------|----|

This is a copy of the label that accompanies each HZ42STE-NG and HZ42STE-LP Direct Vent Gas Fireplace. We have printed a copy of the contents here for your review.

**NOTE:** Regency® units are constantly being improved. Check the label on the unit and if there is a difference, the label on the unit is the correct one.

Duplicate S/N
375



**Listed:** VENTED GAS FIREPLACE HEATER / FOYER AU GAZ À ÉVACUATION  
**Tested to:** CAN/CGA-2.17-M91(R2009)  
**Conforms to:** ANSI Z21.88-2009  
**Certified to:** CSA 2.33-2009  
**MAY BE INSTALLED IN MANUFACTURED (MOBILE) HOMES AFTER FIRST SALE.**

**DO NOT REMOVE THIS LABEL / NE PAS ENLEVER CETTE ÉTIQUETTE**

Serial No./ No de serie  
375

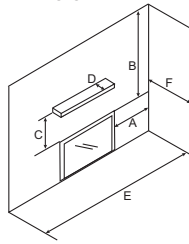
**NATURAL GAS: Model HZ42STE-NG**

|                         |        |                    |   |
|-------------------------|--------|--------------------|---|
| Minimum supply pressure | 5.0"   | WC/C.E. (1.25 kPa) | Pression d'alimentation minimum             |
| Manifold pressure high  | 3.5"   | WC/C.E. (0.87 kPa) | Pression à la tubulure d'échappement élevée |
| Manifold pressure low   | 1.6"   | WC/C.E. (0.40 kPa) | Pression à la tubulure d'échappement basse  |
| Orifice size            | #40    | DMS                | Grandeur de l'injecteur                     |
| Minimum input           | 17,500 | Btu/h (5.13 kW)    | Débit Calorifique minimum selon             |
| Maximum input           | 26,000 | Btu/h (7.62 kW)    | Débit Calorifique maximum selon             |
| Altitude                | 0-4500 | ft/pi (0-1372 m)   | l'altitude                                  |

**APPAREIL FONCTIONNANT AU NATURAL GAS  
CONCU POUR ETRE POELE: Modèle HZ42STE-NG**

|   |  |
|---|--|
| Pression d'alimentation minimum             |  |
| Pression à la tubulure d'échappement élevée |  |
| Pression à la tubulure d'échappement basse  |  |
| Grandeur de l'injecteur                     |  |
| Débit Calorifique minimum selon             |  |
| Débit Calorifique maximum selon             |  |
| l'altitude                                  |  |

**Minimum Clearances to Combustibles /  
Degagement Minimum De Materiaux Combustibles**



**Side Walls**  
A 8" (203mm)

**Ceiling**  
B 22" (559mm)

**Min. Mantel Height**  
C 13" (330mm)

**Max. Mantel Depth**  
D 13" (330mm)

**Alcove Width**  
E 84" (2133mm)

**Alcove Depth**  
F 36" (914mm)

**PROPANE GAS: Model HZ42STE-LP**

|                         |        |                    |   |
|-------------------------|--------|--------------------|---|
| Minimum supply pressure | 12"    | WC/C.E. (2.98 kPa) | Pression d'alimentation minimum             |
| Manifold pressure high  | 10"    | WC/C.E. (2.49 kPa) | Pression à la tubulure d'échappement élevée |
| Manifold pressure low   | 6.4"   | WC/C.E. (1.60 kPa) | Pression à la tubulure d'échappement basse  |
| Orifice size            | #53    | DMS                | Grandeur de l'injecteur                     |
| Minimum input           | 19,500 | Btu/h (5.71 kW)    | Débit Calorifique minimum selon             |
| Maximum input           | 24,500 | Btu/h (7.18 kW)    | Débit Calorifique maximum selon             |
| Altitude                | 0-4500 | ft/pi (0-1372 m)   | l'altitude                                  |

**ÉQUIPÉ A L'UISINE POUR GAZ PROPANE  
CONCU POUR ETRE POELE: Modèle HZ42STE-LP**

|   |  |
|---|--|
| Pression d'alimentation minimum             |  |
| Pression à la tubulure d'échappement élevée |  |
| Pression à la tubulure d'échappement basse  |  |
| Grandeur de l'injecteur                     |  |
| Débit Calorifique minimum selon             |  |
| Débit Calorifique maximum selon             |  |
| l'altitude                                  |  |

**DOOR SEAL: Please check that the door is properly sealed**

(See Instruction Manual for detailed instructions)

This appliance must be installed in accordance with local codes, if any; if none, follow the National Fuel Gas Code, ANSI Z223.1, or Natural Gas and Propane Installation Code, CSA B149.1. This appliance must be installed in accordance with the Standard CAN/CSA Z240 MH, Mobile Housing, in Canada, or with the Manufactured Home Construction and Safety Standard, Title 24 CFR, Part 3280, in the United States, or when such a standard is not applicable, ANSI/NCSBCS A225.1/NFPA 501A, Manufactured Home Installations Standard or ANSI A119.2 ou NFPA 501C Standard for Recreational Vehicles. This appliance is only for use with the type of gas indicated on the rating plate and may be installed in an aftermarket, permanently located, manufactured (mobile) home where not prohibited by local codes. See owner's manual for details.

Installer l'appareil selon les codes ou règlements locaux, ou, en l'absence de tels règlements, selon les codes d'installation ANSI Z223.1, National Fuel Gas Code ou CSA-B149.1 en vigueur. Installer l'appareil selon la norme CAN/CSA-Z240, Série MM, Maison mobiles ou CAN/CSA-Z240 VC, Véhicules de camping, ou la norme 24 CFR Part 3280, Manufactured Home Construction and Safety Standard. Si ces normes ne sont pas pertinentes, utilisez la norme ANSI/NCSBCS A225.1/NFPA 501A, Manufactured Home Installations Standard, ou ANSI A119.2 ou NFPA 501C Standard for Recreational Vehicles.

Cet appareil doit être utilisé uniquement avec le type de gaz indiqué sur la plaque signalétique. Cet appareil peut être installé dans une maison préfabriquée ou mobile (É.-U. seulement) installée à demeure si les règlements locaux le permettent. Voir la notice de l'utilisateur pour plus de renseignements. Cet appareil ne peut pas être utilisé avec d'autres gaz sauf si une trousse de conversion certifiée est fournie.

**This vented gas fireplace heater is not for use with air filters. Ne pas utiliser de filtre à air avec ce foyer au gaz à évacuation.**

**FOR USE WITH GLASS DOORS CERTIFIED WITH THE APPLIANCE ONLY POUR UTILISATION UNIQUEMENT AVEC LES PORTES EN VERRE CERTIFIÉES AVEC L'APPAREIL**

Electrical supply / Électrique 115VAC, 1.13 A, 60Hz. Made in Canada/ Fabriqué au Canada  
**NOT FOR USE WITH SOLID FUELS. / NE PAS UTILISER AVEC DU COMBUSTIBLE SOLIDE.** FPI Fireplace Products International Ltd. Delta, BC, Canada 918-943a

For the State of Massachusetts, installation and repair must be done by a plumber or gasfitter licensed in the Commonwealth of Massachusetts.

For the State of Massachusetts, flexible connectors shall not exceed 36 inches in length.

For the State of Massachusetts, the appliances individual manual shut-off must be a t-handle type valve.

The State of Massachusetts requires the installation of a carbon monoxide alarm in accordance with NFPA 720 and a CO alarm with battery back up in the same room where the gas appliance is installed.

Regency Horizon™ HZ42STE Gas Fireplace

5



## MA Code - CO Detector (for the State of Massachusetts only)

### 5.08: Modifications to NFPA-54, Chapter 10

(2) Revise 10.8.3 by adding the following additional requirements:

(a) For all side wall horizontally vented gas fueled equipment installed in every dwelling, building or structure used in whole or in part for residential purposes, including those owned or operated by the Commonwealth and where the side wall exhaust vent termination is less than seven (7) feet above finished grade in the area of the venting, including but not limited to decks and porches, the following requirements shall be satisfied:

1. **INSTALLATION OF CARBON MONOXIDE DETECTORS.** At the time of installation of the side wall horizontal vented gas fueled equipment, the installing plumber or gasfitter shall observe that a hard wired carbon monoxide detector with an alarm and battery back-up is installed on the floor level where the gas equipment is to be installed. In addition, the installing plumber or gasfitter shall observe that a battery operated or hard wired carbon monoxide detector with an alarm is installed on each additional level of the dwelling, building or structure served by the side wall horizontal vented gas fueled equipment. It shall be the responsibility of the property owner to secure the services of qualified licensed professionals for the installation of hard wired carbon monoxide detectors

a. In the event that the side wall horizontally vented gas fueled equipment is installed in a crawl space or an attic, the hard wired carbon monoxide detector with alarm and battery back-up may be installed on the next adjacent floor level.

b. In the event that the requirements of this subdivision can not be met at the time of completion of installation, the owner shall have a period of thirty (30) days to comply with the above requirements; provided, however, that during said thirty (30) day period, a battery operated carbon monoxide detector with an alarm shall be installed.

2. **APPROVED CARBON MONOXIDE DETECTORS.** Each carbon monoxide detector as required in accordance with the above provisions shall comply with NFPA 720 and be ANSI/UL 2034 listed and IAS certified.

3. **SIGNAGE.** A metal or plastic identification plate shall be permanently mounted to the exterior of the building at a minimum height of eight (8) feet above grade directly in line with the exhaust vent terminal for the horizontally vented gas fueled heating appliance or equipment. The sign shall read, in print size no less than one-half (1/2) inch in size, "**GAS VENT DIRECTLY BELOW. KEEP CLEAR OF ALL OBSTRUCTIONS**".

4. **INSPECTION.** The state or local gas inspector of the side wall horizontally vented gas fueled equipment shall not approve the installation unless, upon inspection, the inspector observes carbon monoxide detectors and signage installed in accordance with the provisions of 248 CMR 5.08(2)(a)1 through 4.

(b) **EXEMPTIONS:** The following equipment is exempt from 248 CMR 5.08(2)(a)1 through 4:

1. The equipment listed in Chapter 10 entitled "Equipment Not Required To Be Vented" in the most current edition of NFPA 54 as adopted by the Board; and

2. Product Approved side wall horizontally vented gas fueled equipment installed in a room or structure separate from the dwelling, building or structure used in whole or in part for residential purposes.

(c) **MANUFACTURER REQUIREMENTS - GAS EQUIPMENT VENTING SYSTEM PROVIDED.** When the manufacturer of Product Approved side wall horizontally vented gas equipment provides a venting system design or venting system components with the equipment, the instructions provided by the manufacturer for installation of the equipment and the venting system shall include:

1. Detailed instructions for the installation of the venting system design or the venting system components; and

2. A complete parts list for the venting system design or venting system.

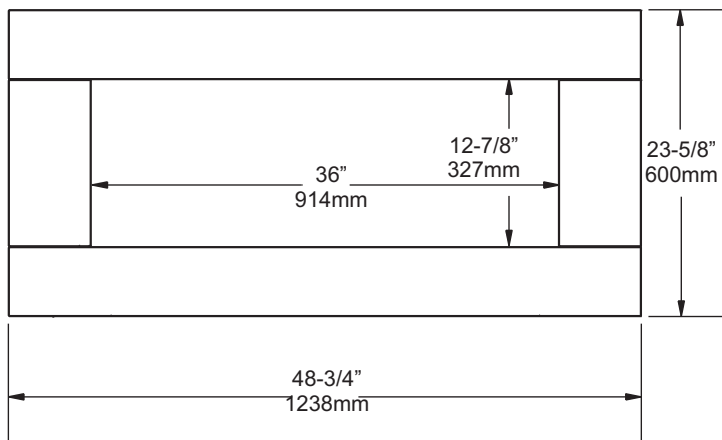
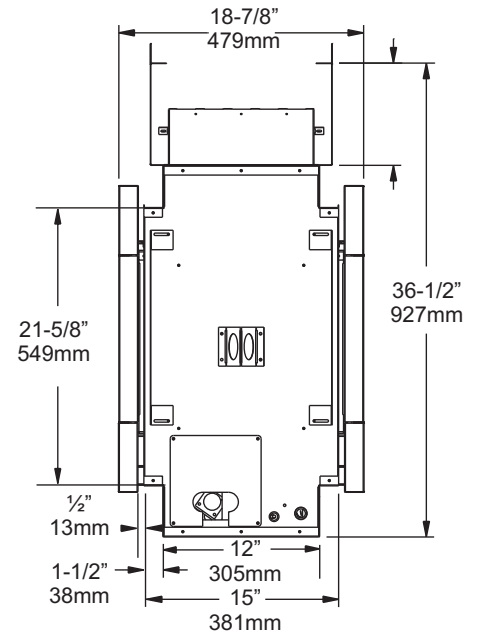
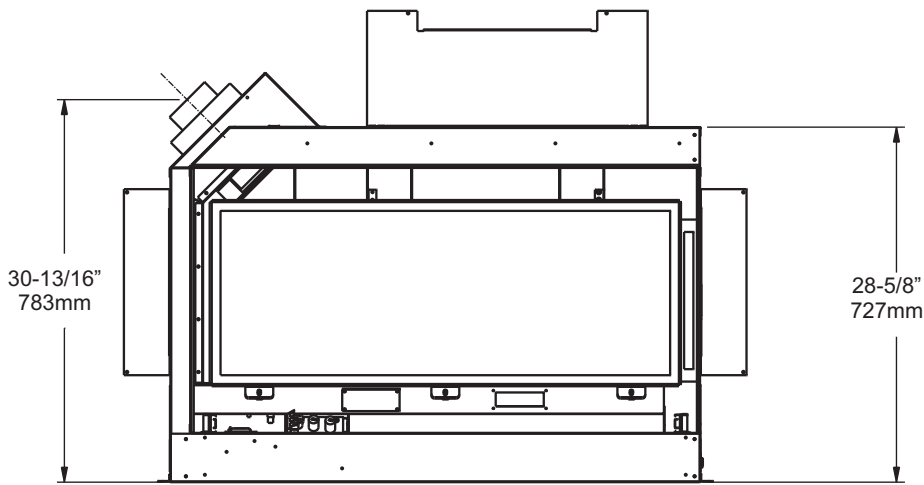
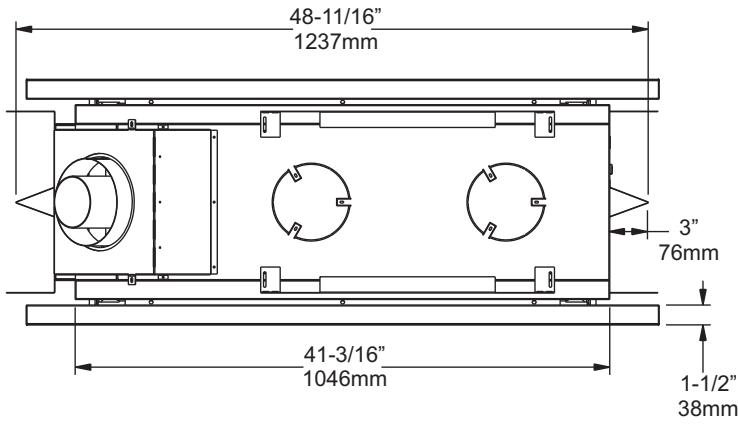
(d) **MANUFACTURER REQUIREMENTS - GAS EQUIPMENT VENTING SYSTEM NOT PROVIDED.** When the manufacturer of a Product Approved side wall horizontally vented gas fueled equipment does not provide the parts for venting the flue gases, but identifies "special venting systems", the following requirements shall be satisfied by the manufacturer:

1. The referenced "special venting system" instructions shall be included with the appliance or equipment installation instructions; and

2. The "special venting systems" shall be Product Approved by the Board, and the instructions for that system shall include a parts list and detailed installation instructions.

(e) A copy of all installation instructions for all Product Approved side wall horizontally vented gas fueled equipment, all venting instructions, all parts lists for venting instructions, and/or all venting design instructions shall remain with the appliance or equipment at the completion of the installation.

## UNIT DIMENSIONS



# INSTALLATION

## IMPORTANT MESSAGE SAVE THESE INSTRUCTIONS

The HZ42STE Direct Vent Fireplace must be installed in accordance with these instructions. Carefully read all the instructions in this manual first. Consult the "authority having jurisdiction" to determine the need for a permit prior to starting the installation. It is the responsibility of the installer to ensure this fireplace is installed in compliance with manufacturers instructions and all applicable codes.

### BEFORE YOU START

Safe installation and operation of this appliance requires common sense, however, we are required by the Canadian Safety Standards and ANSI Standards to make you aware of the following:

**INSTALLATION AND REPAIR SHOULD BE DONE BY AN AUTHORIZED SERVICE PERSON. THE APPLIANCE SHOULD BE INSPECTED BEFORE USE AND AT LEAST ANNUALLY BY A PROFESSIONAL SERVICE PERSON. MORE FREQUENT CLEANING MAY BE REQUIRED DUE TO EXCESSIVE LINT FROM CARPETING, BEDDING MATERIAL, ETC. IT IS IMPERATIVE THAT CONTROL COMPARTMENTS, BURNERS AND CIRCULATING AIR PASSAGEWAYS OF THE APPLIANCE BE KEPT CLEAN.**

**DUE TO HIGH TEMPERATURES, THE APPLIANCE SHOULD BE LOCATED OUT OF TRAFFIC AND AWAY FROM FURNITURE AND DRAPERIES.**

**WARNING: FAILURE TO INSTALL THIS APPLIANCE CORRECTLY WILL VOID YOUR WARRANTY AND MAY CAUSE A SERIOUS HOUSE FIRE.**

**CHILDREN AND ADULTS SHOULD BE ALERTED TO THE HAZARDS OF HIGH SURFACE TEMPERATURES, ESPECIALLY THE FIREPLACE GLASS, AND SHOULD STAY AWAY TO AVOID BURNS OR CLOTHING IGNITION.**



**YOUNG CHILDREN SHOULD BE CAREFULLY SUPERVISED WHEN THEY ARE IN THE SAME AREA AS THE APPLIANCE. TODDLERS, YOUNG CHILDREN AND OTHERS MAY BE SUSCEPTIBLE TO ACCIDENTAL CONTACT BURNS. A PHYSICAL BARRIER IS RECOMMENDED IF THERE ARE AT RISK INDIVIDUALS IN THE HOUSE. TO RESTRICT ACCESS TO A FIREPLACE OR STOVE, INSTALL AN ADJUSTABLE SAFETY GATE TO KEEP TODDLERS, YOUNG CHILDREN AND OTHER AT RISK INDIVIDUALS OUT OF THE ROOM AND AWAY FROM HOT SURFACES.**

**CLOTHING OR OTHER FLAMMABLE MATERIAL SHOULD NOT BE PLACED ON OR NEAR THE APPLIANCE.**

### GENERAL SAFETY INFORMATION

- 1) The appliance installation must conform with local codes or, in the absence of local codes, with the current Canadian or National Gas Codes, CAN1-B149 or ANSI Z223.1 Installation Codes.
- 2) The appliance when installed, must be electrically grounded in accordance with local codes, or in the absence of local codes with the current National Electrical Code, ANSI/NFPA 70 or CSA C22.1 Canadian Electrical Code.
- 3) See general construction and assembly instructions. The appliance and vent should be enclosed.
- 4) This appliance must be connected to the specified vent and termination cap to the outside of the building envelope. Never vent to another room or inside a building. Make sure that the vent is fitted as per Venting instructions.
- 5) Inspect the venting system annually for blockage and any signs of deterioration.
- 6) Venting terminals shall not be recessed into a wall or siding.
- 7) Any safety glass removed for servicing must be replaced prior to operating the appliance.
- 8) To prevent injury, do not allow anyone who is unfamiliar with the operation to use the fireplace.
- 9) Wear gloves and safety glasses for protection while doing required maintenance.
- 10) Be aware of electrical wiring locations in walls and ceilings when cutting holes for termination.
- 11) Under no circumstances should this appliance be modified. Parts that have to be removed for servicing should be replaced prior to operating this appliance.
- 12) Installation and any repairs to this appliance should be done by an authorized service person. A professional service person should be called to inspect this appliance annually. Make it a practice to have all of your gas appliances checked annually.
- 13) Do not slam shut or strike the glass door.
- 14) Under no circumstances should any solid fuels (wood, paper, cardboard, coal, etc.) be used in this appliance.
- 15) The appliance area must be kept clear and free of combustible materials, (gases and other flammable vapours and liquids).

Emissions from burning wood or gas could contain chemicals known to the State of California to cause cancer, birth defects or other reproductive harm.



## INSTALLATION CHECKLIST

- 1) Locate appliance
  - a) Room location (Refer to "Locating Your Gas fireplace" section)
  - b) Clearances to Combustibles (Refer to "Clearances" section)
  - c) Mantle Clearances (Refer to "Mantle Clearances" section)
  - d) Framing & Finishing Requirements (Refer to "Framing & Finishing" section)
  - e) Venting Requirements (Refer to "Venting" section)
- 2) Assemble Top and Side Standoffs (Refer to "Unit Assembly Prior to Installation).
- 3) Slide unit into place.
- 4) Install vent (Refer to "Venting Arrangement" sections).
- 5) Make gas connections (Refer to "Gas Line Installation section).
- 6) Make electrical connections to receptacle supplied with unit (recommended).
- 7) Install 4AA batteries into battery pack or optional AC power adaptor.
- 8) Test the pilot (Refer to "Pilot Adjustment" section).
- 9) Test Gas Pressure (Refer to "Gas Pipe Pressure Testing" section).
- 10) Install standard and optional features. Refer to the following sections:
  - a) Optional Accent Light Installation
  - b) Glass Crystals/ Optional Ceramic Stones
  - c) Optional Firebox Base Pebbles
  - d) Optional Reflective Panels
  - e) Faceplate
  - f) Remote Control or Wall Thermostat
- 11) Wall Mounted ON/OFF Switch:
 

Use the toggle wall switch supplied with the manual package. Use of a "decor" switch causes higher resistance which is a problem on gas fireplaces.
- 12) Final check.

Before leaving this unit with the customer, the installer must ensure that the appliance is firing correctly and **operation fully explained to customer.**

### This includes:

- 1) Clocking the appliance to ensure the correct firing rate (rate noted on label 26,000 Btu/h (NG), after burning appliance for 15 minutes.
- 2) If required, adjusting the primary air to ensure that the flame does not carbon. First allow the unit to burn for 15-20 min. to stabilize.

**CAUTION: Any alteration to the product that causes sooting or carboning that results in damage is not the responsibility of the manufacturer.**

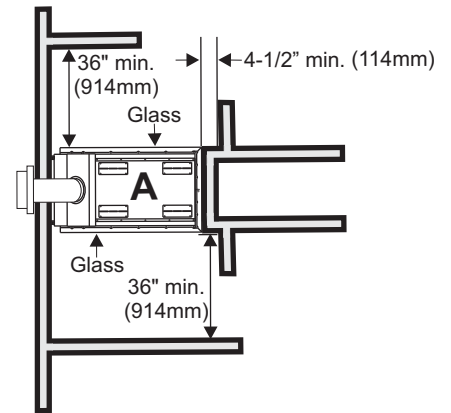
## LOCATING YOUR GAS FIREPLACE

- 1) When selecting a location for your fireplace, ensure that the clearances are met as outlined in the "Clearances" section.
- 2) Provide adequate clearances for servicing.
- 3) The appliance must be installed on a flat, solid, continuous surface (e.g. wood, metal, concrete). This may be the floor, or raised up on a platform to enhance its visual impact. If the appliance is going to be installed on carpeting, combustible linoleum tile or other combustible material other than wood flooring, the appliance must be installed on a metal or wood panel extending the full width and depth of the appliance.
- 4) The Direct Vent Gas Fireplace can be installed as follows:

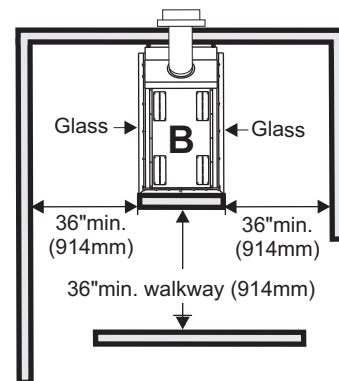
|    | Model #  | Position |
|----|----------|----------|
| A) | HZ42STE: | See Thru |
| B) | HZ42STE: | See Thru |

- 5) This appliance is Listed for bedroom installations when used with a Listed Millivolt Thermostat. Some areas may have further requirements, check local codes before installation.
- 6) The HZ42STE Direct Vent Gas Fireplace is approved for alcove installations, which meet the clearances listed on this page.
- 7) We recommend that you plan your installation on paper using exact measurements for clearances and floor protection before actually installing this appliance. Have a qualified inspector, dealer, or installer review your plans before installation.

**Note: For Exterior Vent Termination Locations see section "Exterior Vent Termination Locations."**



HZ42 ST - SEE THRU



HZ42 ST - SEE THRU

## CLEARANCES

The clearances listed below are Minimum distances unless otherwise stated:

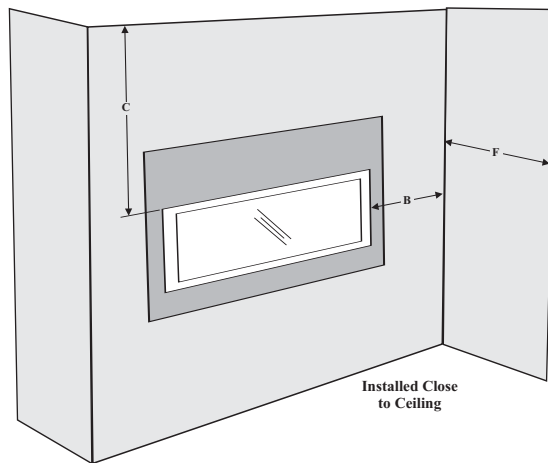
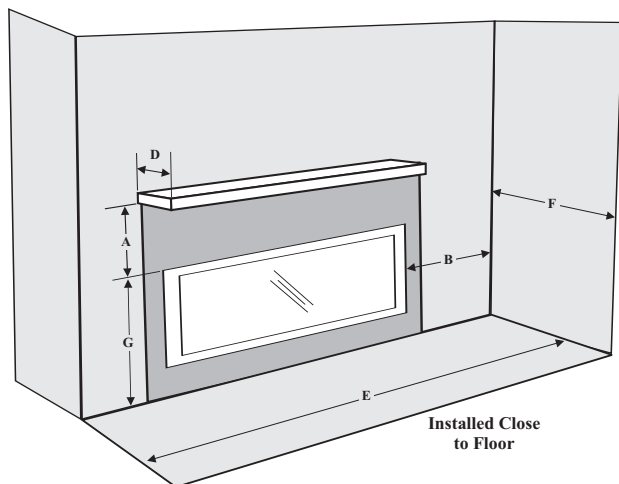
A major cause of chimney related fires is failure to maintain required clearances (air space) to combustible materials. It is of the greatest importance that this fireplace and vent system be installed only in accordance with these instructions.

**Caution Requirements**  
The top, back and sides of the fireplace are defined by standoffs. The metal ends of the standoff may **NOT** be recessed into combustible construction.

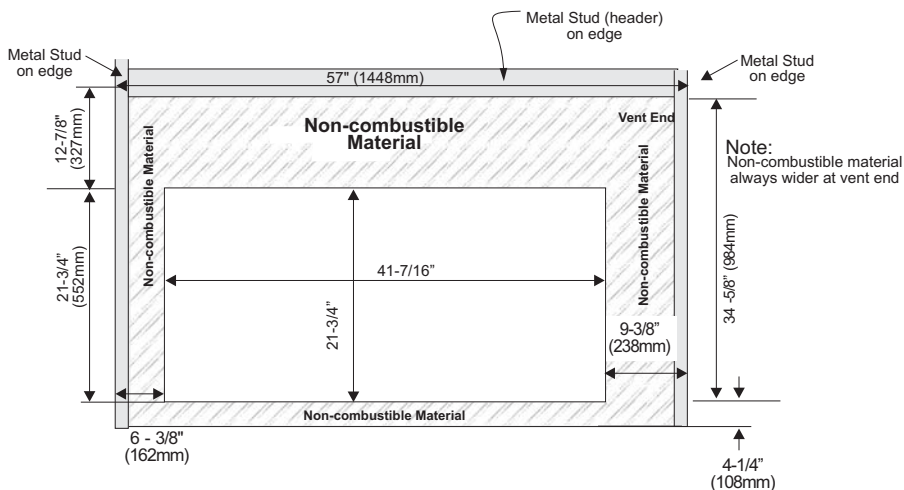
**WARNING**  
Fire hazard is an extreme risk if these clearances (air space) to combustible materials are not adhered to. It is of greatest importance that this fireplace and vent system be installed only in accordance with these instructions.

| Clearance:                             | Dimension       | Measured From:                 |
|--|-----------------|--------------------------------|
| <b>A: Mantel Height (min.)</b>         | 13" (330mm)     | Top of Fireplace Opening       |
| <b>B: Sidewall (on one side)</b>       | 8" (203mm)      | Side of Fireplace Opening      |
| <b>C: Ceiling (room and/or alcove)</b> | 22" (559mm)     | Top of Fireplace Opening       |
| <b>D: Mantel Depth (max.)</b>          | 13" (330mm)     | 22" Above Fireplace Opening    |
| <b>E: Alcove Width</b>                 | 84" (2134mm)    | Sidewall to Sidewall (Minimum) |
| <b>F: Alcove Depth</b>                 | 36" (914mm)     | Front to Back Wall (Maximum)   |
| <b>G: Finished Floor</b>               | 25-3/4" (654mm) | Top of Fireplace Opening       |
| <b>Note</b>                            | 0" (0mm)        | No Hearth Required             |

| Flue Clearances to Combustibles                             |        |
|---|--------|
| Horizontal - Top  | 3"     |
| Horizontal - Side   | 2"     |
| Horizontal - Bottom   | 2"     |
| Vertical  | 2"     |
| Passing through wall/floor/ceiling - when firestop is used. | 1-1/2" |



## NON-COMBUSTIBLE REQUIREMENTS

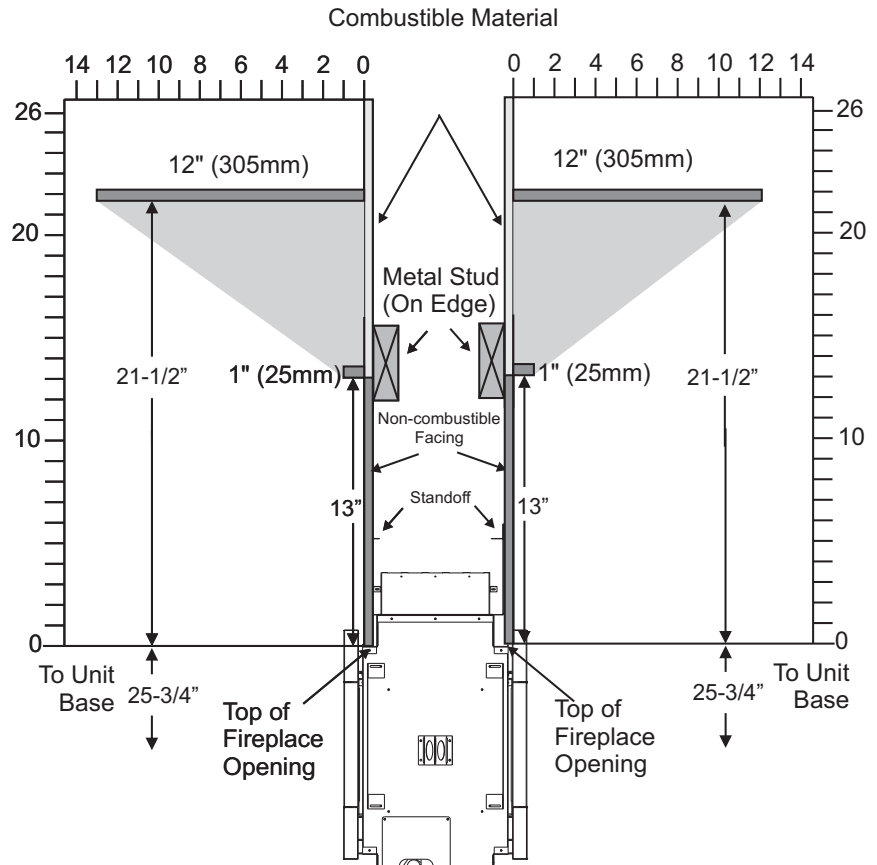


## MANTEL CLEARANCES

Due to the extreme heat this fireplace emits, the mantel clearances are critical. Combustible mantel clearances from top of front facing are shown in the diagram on the right.

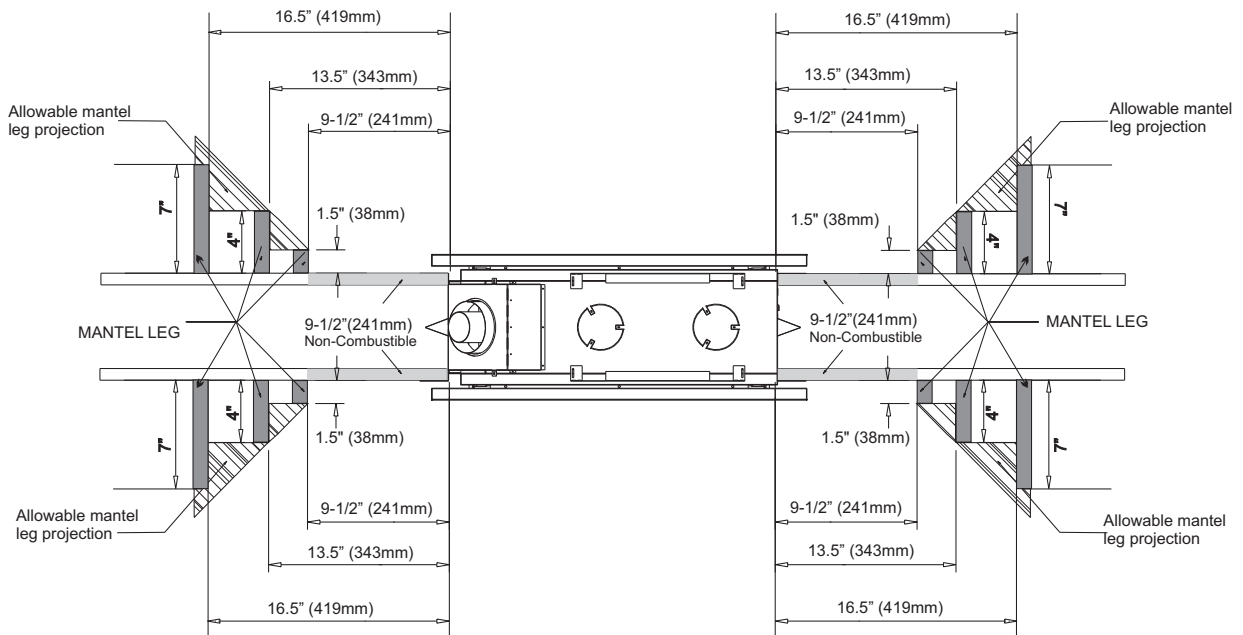
**Note:** A non-combustible mantel may be installed at a lower height if the framing is made of metal studs covered with a non-combustible board.

**Note:** Ensure the paint that is used on the mantel and the facing is "High Quality" or the paint may discolour.



## MANTEL LEG CLEARANCES

Combustible mantel leg clearances as per diagram:



# INSTALLATION

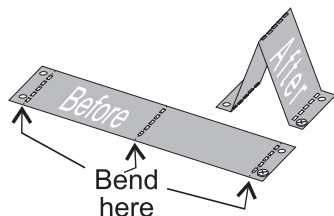
## UNIT ASSEMBLY PRIOR TO INSTALLATION

The Standoffs and Nailing Strips must be correctly positioned and attached to the firebox before unit is slid into position.

### STANDOFF ASSEMBLY

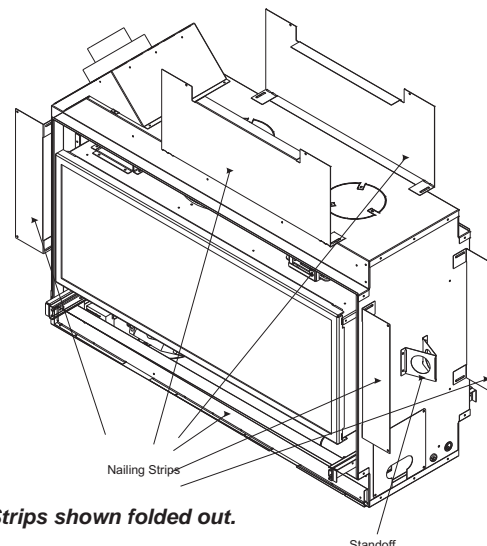
The side, top and rear standoffs are shipped in a flat position and must be folded into shape and attached.

- 1) Remove the standoffs from the fireplace.
- 2) Take each standoff and bend into the correct shape. Bend up at the bend lines until the screw holes in the standoff and the pre-punched screw holes on the fireplace side line up.
- 3) Attach the standoff securely to the side with 2 screws per standoff (on opposite corners).



### NAILING STRIPS

The side, top and bottom nailing strips come attached to the unit. There are 3 plates on each side and 2 on the bottom - 8 in total. They can be folded out as required. The bottom nailing strip is secured to the unfinished floor - if installing the unit directly on the floor.



*Nailing Strips shown folded out.*

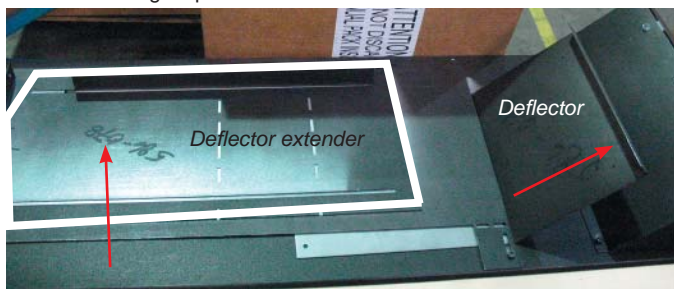
#### IMPORTANT NOTE

Framing depth measurement is noted with the side & top nailing strips set as far forward on the firebox as possible. The nailing strips can be adjusted back up to 1" to allow for varying thicknesses in non-combustible material & wall finishes.

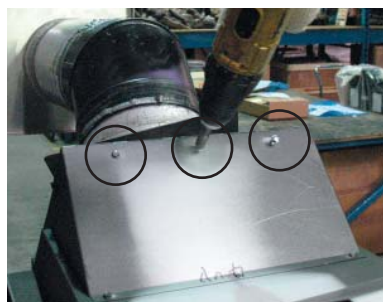
## HORIZONTAL VENT DEFLECTOR INSTALLATION

**Note:** This installation is only required for horizontal terminations. If any rise is used when venting this unit - the deflector and extender are not required.

- 1) The deflector and extender are shipped on top of the firebox. Slide the deflector out from under the nailing strip and lift the extender up off the nailing strip.



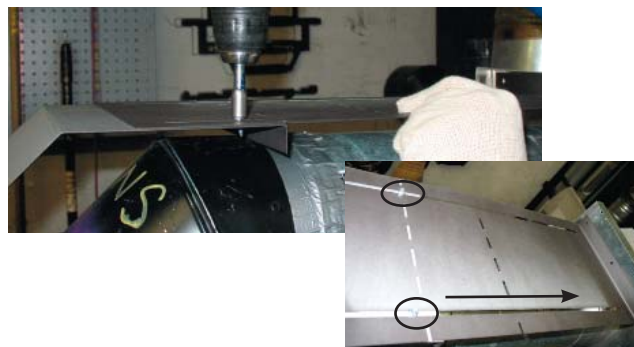
- 2) Remove the 3 screws near the vent outlet on the firebox - as shown below.



- 3) Install the deflector near the vent outlet - secure with the same 3 screws. Ensure flange on deflector is facing downward.



- 4) Install the extender on top of the deflector with 2 screws - slide the extender until it touches the outside wall - tighten screws to secure. Extender can be adjusted to max. 15-1/2".



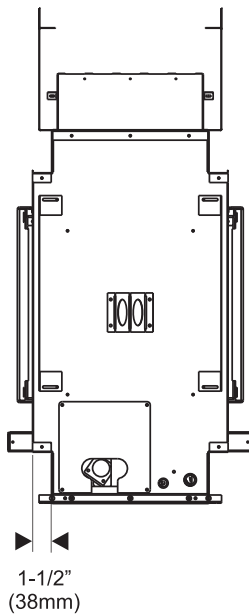
## FRAMING & FINISHING

- 1) Frame in the enclosure for the unit with framing material.

**IMPORTANT: Vertical studs and the header must be metal.**

**Note: When constructing the framed opening, please ensure there is access to install the gas lines when the unit is installed.**

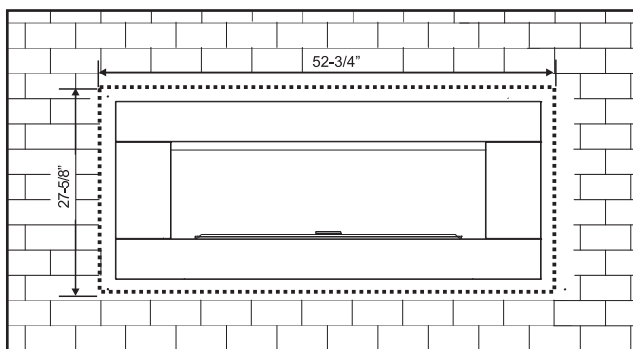
- 2) The unit does not have to be completely enclosed in a chase. You must maintain clearances from the vent to combustible materials: See "Clearances" section. Combustible materials can be laid against the side and back standoffs and the stove base.
- 3) Non-combustible material (ie. tile, slate, etc) may be brought up to and overlap the unit (top and bottom) ensuring that the maximum thickness does not go beyond the 1-1/2" as shown in the diagram below. The faceplate will not be able to be mounted if the finished material is beyond 1-1/2".



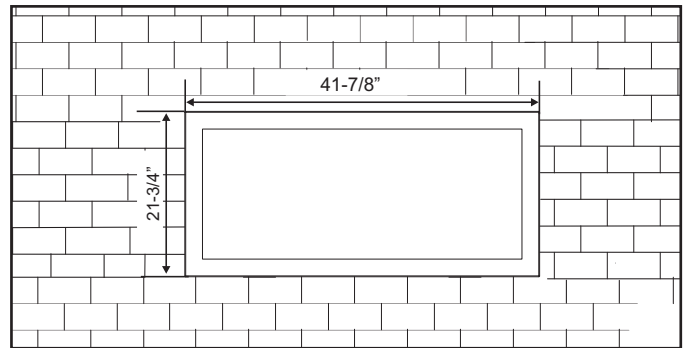
**Note:**

Depending on the material used for finishing, the nailing strips must be set accordingly so that the finished material is always at the 1-1/2" edge of the flange.

- 4) If material such as brick, stone, etc. extends past the faceplate depth, when finishing around the faceplate, the minimum opening dimensions noted below must be adhered to ensuring for the removal of the faceplate and for the safe operation of this appliance.



- 5) For material such as brick, stone, etc that extends less than 1-1/2", the minimum opening dimensions noted below must be adhered, when finishing around the faceplate. This is to ensure the removal of the faceplate and for the safe operation of this appliance.



Unit shown without faceplate

| Finished Material | Nailing Strip Position |   |
|-------------------|------------------------|---|
| 1/2"              | 1"                     | <p>Nailing Strip<br/>1" Forward</p> <p>Unit</p>                   |
| 1"                | 1/2"                   | <p>Nailing Strip<br/>1/2" Forward</p> <p>Unit</p>                 |
| 1-1/2"            | 0" (flush)             | <p>Nailing Strip<br/>Flush w/unit<br/>Factory Set</p> <p>Unit</p> |

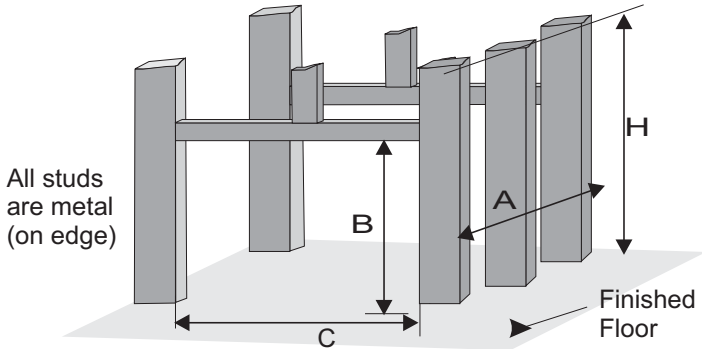
# INSTALLATION

## FRAMING DIMENSIONS

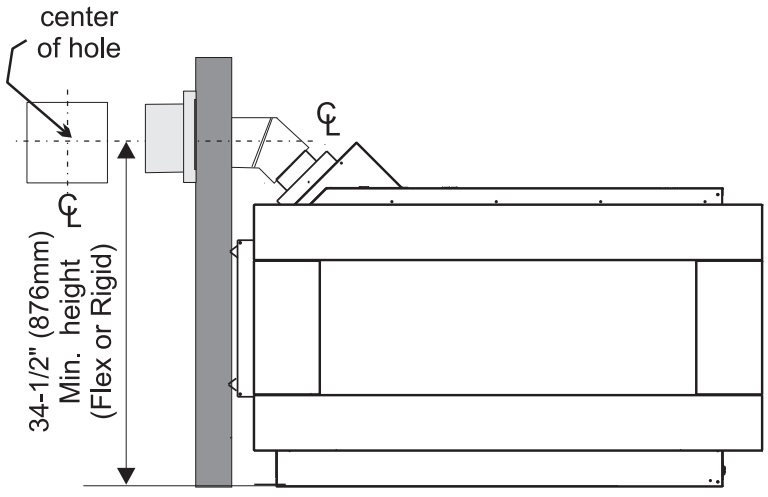
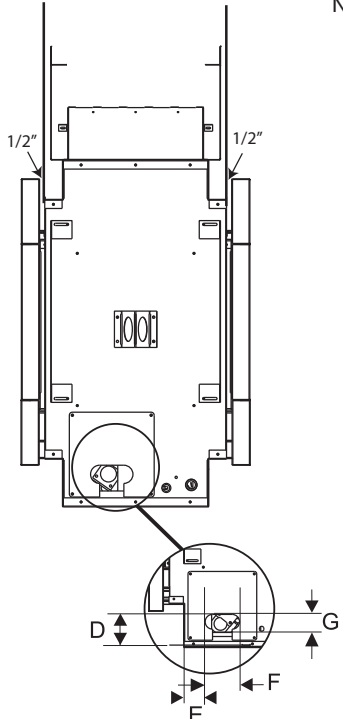
| HZ42STE Framing Dimensions |                                |   |
|----------------------------|--------------------------------|---|
| A *                        | Framing Depth *                | 15" (381mm)<br>**minus 2X the finished material thickness |
| B                          | Framing Height                 | 36-3/4" (933mm)   |
| C                          | Framing Width                  | 50" (1270mm) Horizontal or Vertical Vent                  |
| D                          | Gas Connection Height          | 4-1/2" (114mm)  |
| E                          | Gas Connection Inset           | 2-7/8" (73mm)   |
| F                          | Gas Connection Opening Width   | 4-5/8" (117mm)  |
| G                          | Gas Connection Opening Height  | 2" (51mm)   |
| H                          | Minimum Height to Combustibles | 40-1/2" (1029mm)  |

\* Framing depth measurement is noted with nailing strips (top & sides) set as far forward on the firebox as possible. The nailing strips can be adjusted back up to 1" (on both sides) to allow for varying thicknesses in non-combustible material and wall finishes.  
 \*\*Finished material thickness includes: non combustible material, tile slate, etc.  
 (example framing = 13" - if 1" thick finishing material is used on both sides)

**IMPORTANT:**  
 1/2" gap required between faceplate and finished wall. Dangerous operating conditions will occur if this is not adhered to.



Note: All studs on top and sides of unit must be on edge.



Note: Gas hookup is on vent side of unit.



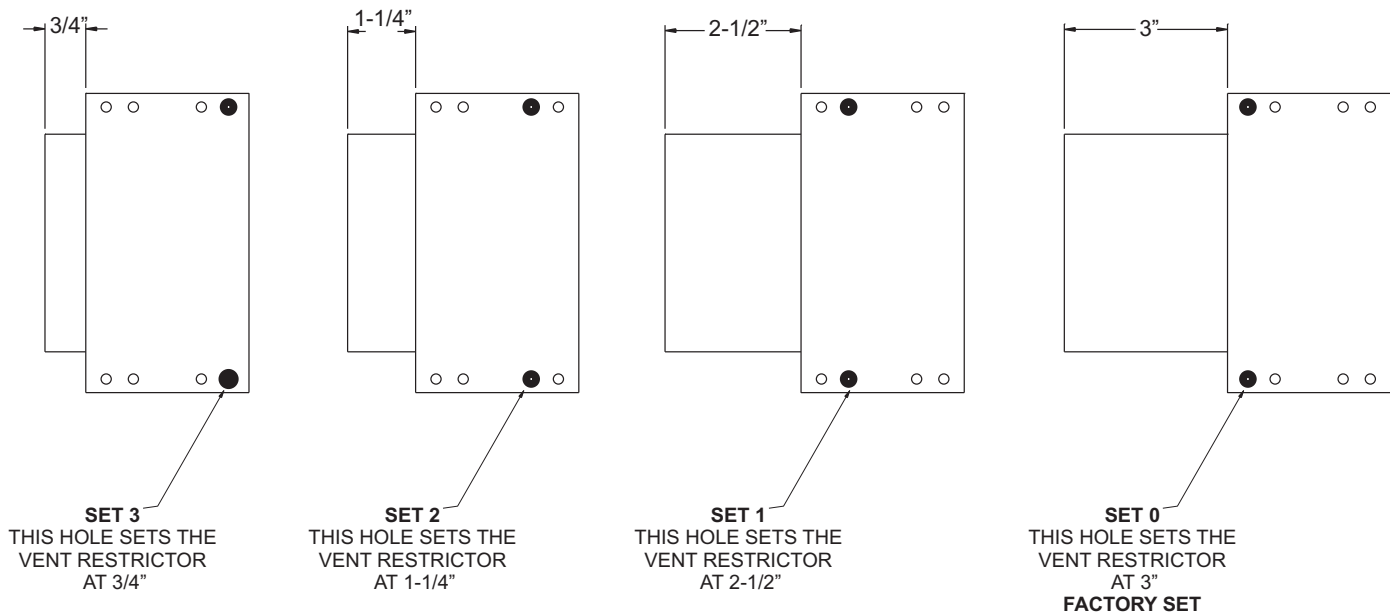
## VENT RESTRICTOR POSITION

Vent restriction is required for certain venting installations, see the diagrams in the "Venting Arrangements" section to determine if they are required for your installation.

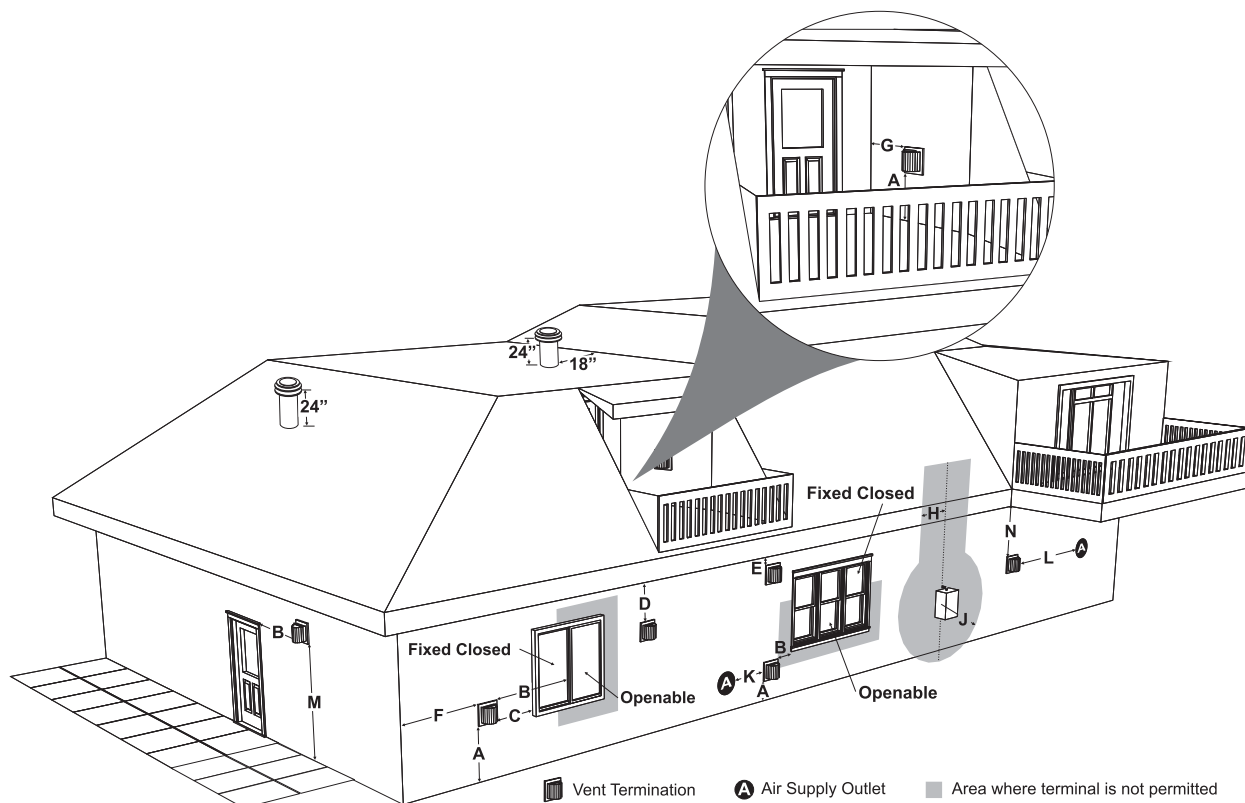
The Vent Restrictor plate is located on the inside top of the firebox.

To set the vent restriction as indicated in the venting arrangements diagrams, refer to the following instructions;

- 1) Remove the glass door.
- 2) Remove the screws that hold the vent restrictor plate in place.
- 3) Adjust the vent restrictor plate to the required vent restrictor position as per the diagrams shown.
- 4) Once the vent restrictor plate is in the required position, secure with screws.



## EXTERIOR VENT TERMINATION REQUIREMENTS



|   | Minimum Clearance Requirements  | Canada <sup>1</sup>    | USA <sup>2</sup>       |
|---|---|------------------------|------------------------|
| A | Clearance above grade, veranda, porch, deck, or balcony   | 12"(30cm)              | 12"(30cm)              |
| B | Clearance to window or door that may be opened  | 12"(30cm)              | 9" (23cm)              |
| C | Clearance to permanently closed window  | *                      | *                      |
| D | Vertical clearance to ventilated soffit located above the terminal within a horizontal distance of 2 feet (61cm) from the center line of the terminal (check with the local code) | 18"(46cm)              | 18"(46cm)              |
| E | Clearance to unventilated soffit  | 19"(48cm)              | 19"(48cm)              |
| F | Clearance to outside corner: with <b>AstroCap</b> Termination Cap.  | 7"(18cm)               | 7"(18cm)               |
|   | Clearance to outside corner: with all other approved Termination Caps.  | 13"(33cm)              | 13"(33cm)              |
| G | Clearance to inside corner: with <b>AstroCap</b> Termination Cap  | 7"(18cm)               | 7"(18cm)               |
|   | Clearance to inside corner: with all other approved Termination Caps.   | 13"(33cm)              | 13"(33cm)              |
| H | Clearance to each side of center line extended above meter/regulator assembly   | 36"(90cm) <sup>a</sup> | *                      |
| J | Clearance to service regulator vent outlet  | 36"(90cm)              | *                      |
| K | Clearance to non-mechanical air supply inlet to building or the combustion air inlet to any other appliance   | 12"(30cm)              | 9" (23cm)              |
| L | Clearance to a mechanical air supply inlet #3' (91cm) above if within 10' (3m) horizontally.  | 72"(1.8m)              | 36"(90cm) <sup>b</sup> |
| M | Clearance above paved sidewalk or a paved driveway located on public property   | 84"(2.1m) <sup>†</sup> | *                      |
| N | Clearance under veranda, porch, deck, or balcony  | 12"(30cm) <sup>‡</sup> | *                      |

<sup>1</sup> In accordance with current CSA B149.1, *Natural Gas and Propane Installation Code*

<sup>2</sup> In accordance with the current ANSI Z223.1/NFPA 54, *National Fuel Gas Code*

<sup>†</sup> A vent shall not terminate directly above a sidewalk or paved driveway which is located between two single family dwellings and serves both dwellings

<sup>‡</sup> Permitted only if veranda, porch, deck, or balcony is fully open on a minimum of two sides beneath the floor

\* Clearance in accordance with local installation codes and the requirements of the gas supplier

<sup>a</sup> 3 feet (91cm) within a height of 15 feet (4.5m) above the meter / regulator assembly

<sup>b</sup> 3 feet (91cm) above - if within 10 feet (3m) horizontally

## 4" X 6-5/8" RIGID PIPE CROSS REFERENCE CHART

Components from different Manufacturers may not be mixed. Not All Rigid Pipe components are available directly from FPI.

| Description                          | Simpson Direct Vent Pro® | Selkirk Direct Temp™ | American Metal Products® Amerivent Direct | Metal-Fab™ Sure Seal | Security Secure- Vent® | ICC Excel Direct |
|--------------------------------------|--------------------------|----------------------|---|----------------------|------------------------|------------------|
| 6" Pipe Length-Galvanized            | 46DVA-06                 | 4DT-6                | N/A                                       | 4D6                  | SV4L6                  | TC-4DL6          |
| 6" Pipe Length-Black                 | 46DVA-06B                | 4DT-6B               | N/A                                       | 4D6B                 | SV4LB6                 | TC-4DL6B         |
| 7" Pipe Length-Galvanized            | N/A                      | N/A                  | 4D7                                       | N/A                  | N/A                    | N/A              |
| 7" Pipe Length-Black                 | N/A                      | N/A                  | 4D7B                                      | N/A                  | N/A                    | N/A              |
| 9" Pipe Length-Galvanized            | 46DVA-09                 | 4DT-9                | N/A                                       | N/A                  | N/A                    | N/A              |
| 9" Pipe Length-Black                 | 46DVA-09B                | 4DT-9B               | N/A                                       | N/A                  | N/A                    | N/A              |
| 12" Pipe Length-Galvanized           | 46DVA-12                 | 4DT-12               | 4D12                                      | 4D12                 | SV4L12                 | TC-4DL1          |
| 12" Pipe Length-Black                | 46DVA-12B                | 4DT-12B              | 4D12B                                     | 4D12B                | SV4LB12                | TC-4DL1B         |
| 18" Pipe Length-Galvanized           | 46DVA-18                 | 4DT-18               | 4D18                                      | 4D18                 | SV4LA                  | TC-4DL18         |
| 18" Pipe Length-Black                | 46DVA-18B                | 4DT-18B              | 4D18B                                     | 4D18B                | SV4LA                  | TC-4DL18B        |
| 24" Pipe Length-Galvanized           | 46DVA-24                 | 4DT-24               | 4D24                                      | 4D24                 | SV4L24                 | TC-4DL2          |
| 24" Pipe Length-Black                | 46DVA-24B                | 4DT-24B              | 4D24B                                     | 4D24B                | SV4LB24                | TC-4DL2B         |
| 36" Pipe Length-Galvanized           | 46DVA-36                 | 4DT-36               | 4D36                                      | 4D36                 | SV4L36                 | TC-4DL3          |
| 36" Pipe Length-Black                | 46DVA-36B                | 4DT-36B              | 4D36B                                     | 4D36B                | SV4LB36                | TC-4DL3B         |
| 48" Pipe Length-Galvanized           | 46DVA-48                 | 4DT-48               | 4D48                                      | 4D48                 | SV4L48                 | TC-4DL4          |
| 48" Pipe Length-Black                | 46DVA-48B                | 4DT-48B              | 4D48B                                     | 4D48B                | SV4LB48                | TC-4DL4B         |
| 60" Pipe Length-Galvanized           | 46DVA-60                 | 4DT-60               | N/A                                       | N/A                  | N/A                    | N/A              |
| 60" Pipe Length-Black                | 46DVA-60B                | 4DT-60B              | N/A                                       | N/A                  | N/A                    | N/A              |
| Adjustable Length 3"-10"-Galvanized  | N/A                      | N/A                  | N/A                                       | 4DAL                 | N/A                    | TC-4DLT          |
| Adjustable Length 3"-10"-Black       | N/A                      | N/A                  | N/A                                       | 4DALB                | N/A                    | TC-4DLTB         |
| Adjustable Length 7"-Galvanized      | N/A                      | N/A                  | 4D7A                                      | N/A                  | N/A                    | N/A              |
| Adjustable Length 7"-Black           | N/A                      | N/A                  | 4D7AB                                     | N/A                  | N/A                    | N/A              |
| Extension Pipe 8-1/2"-Galvanized     | 46DVA-08A                | N/A                  | N/A                                       | N/A                  | N/A                    | N/A              |
| Extension Pipe 8-1/2"-Black          | 46DVA-08AB               | N/A                  | N/A                                       | N/A                  | N/A                    | N/A              |
| Adjustable Length 12"-Galvanized     | N/A                      | N/A                  | 4D12A                                     | N/A                  | SV4LA12                | N/A              |
| Adjustable Length 12"-Black          | N/A                      | N/A                  | 4D12A                                     | N/A                  | SV4LBA12               | N/A              |
| Extension Pipe 16"-Galvanized        | 46DVA-16A                | N/A                  | N/A                                       | N/A                  | N/A                    | N/A              |
| Extension Pipe 16"-Black             | 46DVA-16AB               | N/A                  | N/A                                       | N/A                  | N/A                    | N/A              |
| 45° Elbow-Galvanized                 | 46DVA-E45                | 4DT-EL45             | 4D45L                                     | N/A                  | N/A                    | TE-4DE45         |
| 45° Elbow-Black                      | 46DVA-E45B               | 4DT-EL45B            | 4DT-EL45B                                 | N/A                  | N/A                    | TE-4DE45B        |
| 45° Elbow Swivel-Galvanized          | See 46DVA-E45            | N/A                  | N/A                                       | 4D45L                | SV4E45                 | N/A              |
| 45° Elbow Swivel-Black               | See 46DVA-E45B           | N/A                  | N/A                                       | 4D45LB               | SV4EB45                | N/A              |
| 90° Elbow-Galvanized                 | 46DVA-E90                | 4DT-EL90S            | 4DT-EL90S                                 | N/A                  | N/A                    | TE-4DE90         |
| 90° Elbow-Black                      | 46DVA-E90B               | 4DT-EL90SB           | 4DT-EL90SB                                | N/A                  | SV4EBR90-1             | TE-4DE90B        |
| 90° Elbow, Swivel-Galvanized         | See 46DVA-E90            | N/A                  | N/A                                       | 4D90L                | SV4E90-1               | N/A              |
| 90° Elbow, Swivel-Black              | See 46DVA-E90B           | N/A                  | N/A                                       | 4D90LB               | SV4EB90-1              | N/A              |
| 90° Starter Elbow, Swivel-Galvanized | N/A                      | N/A                  | N/A                                       | 4D90A                | N/A                    | N/A              |
| Adaptor*                             | N/A                      | N/A                  | N/A                                       | 4D90L                | N/A                    | N/A              |
| Ceiling Support                      | N/A                      | 4DT-CS               | 4DFSP                                     | 4DSP                 | SV4SD                  | TE-4DE45         |
| Cathedral Support Box                | 46DVA-CS                 | 4DT-CSS              | 4DRSB                                     | 4DRS                 | SV4CSB                 | TE-4DE45B        |
| Wall Support/Band                    | 46DVA-WS                 | 4DT-WS/B             | 4DWS                                      | 4DWS                 | SV4BM                  | N/A              |
| Offset Support                       | 46DVA-ES (N/A - FPI)     | 4DT-OS               | N/A                                       | N/A                  | SV4SU                  | N/A              |
| Wall Thimble-Black                   | 46DVA-WT                 | 4DT-WT               | 4DWT                                      | 4DWT                 | SV4RSM                 | TE-4DE90         |
| Wall Thimble Support/Ceiling Support | 46DVA-DC                 | N/A                  | N/A                                       | N/A                  | SV4PF                  | TE-4DE90B        |
| Firestop Spacer                      | 46DVA-FS                 | 4DT-FS               | 4DFSP                                     | 4DFS                 | SV4BF                  | N/A              |
| Trim Plate-Black                     | N/A                      | 4DT-TP               | 4DFPB                                     | 4DCP                 | SV4LA                  | N/A              |

# INSTALLATION

| Description                                 | Simpson Direct Vent Pro® | Selkirk Direct Temp™ | American Metal Products® Amerivent Direct | Metal-Fab™ Sure Seal | Security Secure-Vent® | ICC Excel Direct |
|---|--------------------------|----------------------|---|----------------------|-----------------------|------------------|
| Attic Insulation Shield 12"                 | 46DVA-IS N/A@ FPI        | N/A                  | 4DAIS12                                   | N/A                  | SV4RSA                | N/A              |
| Attic Insulation Shield - Cold Climates 36" | N/A                      | N/A                  | 4DAIS12                                   | N/A                  | N/A                   | TM-4AS           |

|                                      |                                   |         |        |        |        |     |
|--------------------------------------|-----------------------------------|---------|--------|--------|--------|-----|
| Basic Horizontal Termination Kit (A) | Disc.                             | 4DT-HKA | 4DHTK2 | 4DHTKA | SV-SHK | N/A |
| Horizontal Termination Kit (B)       | 46DVA-KHA<br>(Changed Components) | 4DT-HKB | 4DHTK1 | 4DHTKB | SV-HK  | N/A |
| Vertical Termination Kit             | Disc.                             | 4DT-VKC | 4DHTK  | 4DHTK  | SV-FK  | N/A |

|                                   |              |         |      |      |          |         |
|-----------------------------------|--------------|---------|------|------|----------|---------|
| High Wind Vertical Cap            | 46DVA-VCH    | N/A     | N/A  | N/A  | N/A      | TM-4VT  |
| High Wind Horizontal Cap          | 46DVA-HC     | N/A     | N/A  | N/A  | N/A      | TM-4DHT |
| Horizontal Square Termination Cap | See 46DVA-HC | 4DT-HHC | 4DHC | 4DHT | SV4CHC-1 | TM-4HT  |
| Vertical Termination Cap          | 46DVA-VC     | 4DT-HVC | 4DVC | 4DVT | SV4CGV-1 | TM-4VT  |
| Storm Collar                      | 46DVA-08A    | 4DT-SC  | 4DSC | 4DSC | SV4FC    | TM-SC   |

|                                |           |          |       |        |          |        |
|--------------------------------|-----------|----------|-------|--------|----------|--------|
| Adjustable Flashing 0/12-6/12  | 46DVA-F6  | 4DT-ST14 | 4D12S | 4DST14 | SV4STC14 | TF-4FA |
| Adjustable Flashing 6/12-12/12 | 46DVA-FLA | 4DT-ST36 | 4D36S | 4DST36 | SV4STC36 | TF-4FB |

|                           |           |         |     |      |       |        |
|---------------------------|-----------|---------|-----|------|-------|--------|
| Vinyl Siding Standoff     | 46DVA-VSS | 4DT-VS  | N/A | 4DVS | SV4VS | TM-VSS |
| Vinyl Siding Shield Plate | N/A       | 4DT-VSP | N/A | N/A  | SV4VS | N/A    |

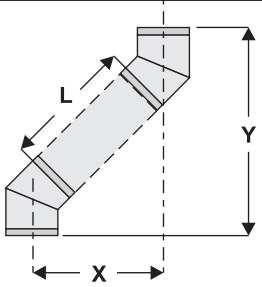
|                         |            |     |     |     |     |          |
|-------------------------|------------|-----|-----|-----|-----|----------|
| Snorkel Termination 14" | 46DVA-SNKL | N/A | N/A | N/A | N/A | TM-4ST14 |
| Snorkel Termination 36" | N/A        | N/A | N/A | N/A | N/A | TM-4ST36 |

|   |           |     |   |     |     |         |
|---|-----------|-----|---|-----|-----|---------|
| Restrictor Disk                           | N/A       | N/A | N/A   | N/A | N/A | TM-4DS  |
| Extended Vertical Termination Cap         | N/A       | N/A | N/A   | N/A | N/A | N/A     |
| Chimney Conversion Kit A (USA only)       | 46DVA-KCA | N/A | N/A   | N/A | N/A | TM-4CA6 |
| Chimney Conversion Kit B (USA only)       | 46DVA-KCB | N/A | N/A   | N/A | N/A | TM-4CA7 |
| Chimney Conversion Kit C (USA only)       | 46DVA-KCC | N/A | N/A </td <td>N/A</td> <td>N/A</td> <td>TM-4CA8</td> | N/A | N/A | TM-4CA8 |
| Chimney Conversion Kit Masonry (USA only) | 46DVA-KMC | N/A | N/A   | N/A | N/A | N/A     |
| Wall Firestop                             | 46DVA-WFS | N/A | N/A   | N/A | N/A | TM-4TR  |
| Colinear Flex Connectors                  | 46DVA-ADF | N/A | N/A   | N/A | N/A | N/A     |

| FPI       |   |           |   |
|-----------|---|-----------|---|
| 946-506/P | Vent Guard (Optional) for AstroCap                  | 946-205   | Vinyl Siding Shield for Riser Vent Terminal   |
| 510-994   | Rigid Pipe Adaptor (Must use with all rigid piping) | 946-208/P | Vent Guard (Optional) for Riser Vent Terminal |
| 640-530/P | Riser Vent Terminal                                 | 946-523/P | AstroCap Horizontal Cap                       |
| 946-605   | Starter Collar Increaser 4" x 6-5/8" to 5" x 8"     | 946-206   | Vinyl Siding Standoff for AstroCap            |

**Note:** When using Metal-Fab Sure Seal Rigid Piping - please note that the Adaptor (4DDA) must be used in conjunction with FPI Rigid Pipe Adaptor (510-994).

| Offset Pipe Selection: Use this table to determine offset pipe lengths. |                     |                    |
|---|---------------------|--------------------|
| Pipe Length (L)   | 4" x 6-5/8" Venting |                    |
|   | Run (X)             | Rise (Y)           |
| 0" (0mm)  | 4-7/8" (124mm)      | 13-7/8" (340mm)    |
| 6" (152mm)  | 8" (203mm)          | 16-1/2" (419mm)    |
| 9" (229mm)  | 10-1/8" (257mm)     | 18-5/8" (473mm)    |
| 12" (305mm)   | 12-1/4" (311mm)     | 20-3/4" (527mm)    |
| 24" (610mm)   | 20-5/8" (524mm)     | 29-1/8" (740mm)    |
| 36" (914mm)   | 29" (737mm)         | 37-1/2" (953mm)    |
| 48" (1219mm)  | 37-7/16" (951mm)    | 45-15/16" (1167mm) |



For specific instructions on venting components - visit the manufacturers website listed below.

Simpson Direct Vent Pro: [www.duravent.com](http://www.duravent.com)

Selkirk Direct-Temp: [www.selkirkcorp.com](http://www.selkirkcorp.com)

American Metal Products: [www.americanmetalproducts.com](http://www.americanmetalproducts.com)

Metal-Fab Sure Seal: [www.mtlfab.com](http://www.mtlfab.com)

Security Secure Vent: [www.securitychimneys.com](http://www.securitychimneys.com)

Industrial Chimney Company: [www.icc-rsf.com](http://www.icc-rsf.com)

**Note:** Horizontal runs of vent must be level, or have a 1/4" rise for every 1 foot of run towards the termination. Never allow the vent to run downward - this could cause high temperatures and may present a possible fire hazard.



## VENTING INTRODUCTION

The HZ42STE uses the "balanced flue" technology Co Axial system. The inner liner vents products of combustion to the outside while the outer liner draws outside combustion air into the combustion chamber thereby eliminating the need to use heated room air for combustion and losing warm room air up the chimney.

**Note:** These flue pipes must not be connected to any other appliance.

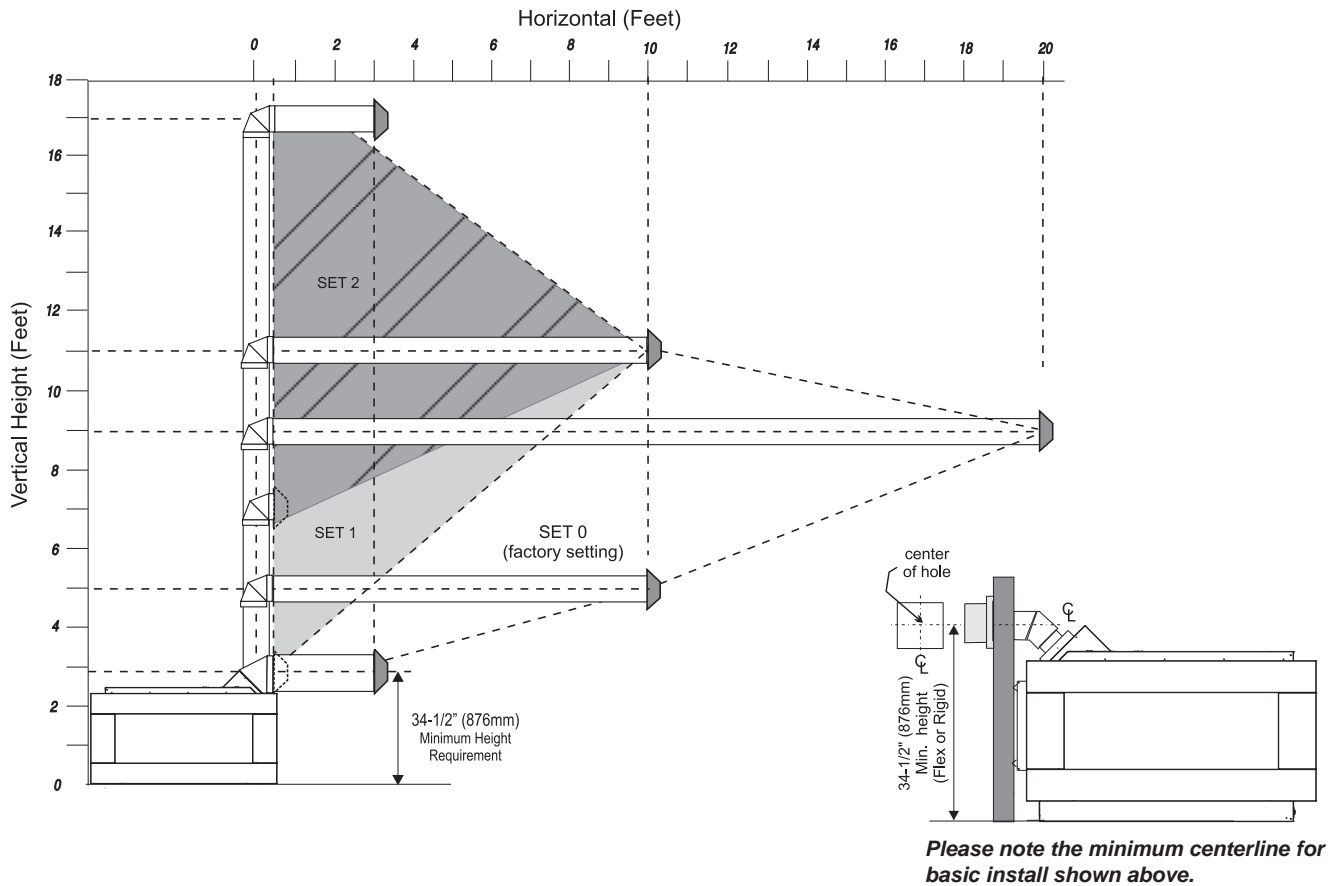
The gas appliance and vent system must be vented directly to the outside of the building, and never be attached to a chimney serving a separate solid fuel or gas burning appliance. Each direct vent gas appliance must use its own separate vent system. Common vent systems are prohibited.

## VENTING ARRANGEMENTS

### ALLOWABLE HORIZONTAL TERMINATIONS FOR HZ42 ST

The diagram shows all allowable combinations of vertical runs with horizontal terminations, using one 45° and one 90° (two 45° elbows equal to one 90°) for direct horizontal runs with horizontal termination use only one 45° elbow.

**Note:** Must use optional rigid pipe adapter (Part# 510-994) when using Rigid Pipe Venting Systems.



#### VENT RESTRICTOR SETTING:

**Vent restrictor factory set, no adjustment required unless otherwise indicated.**

Refer to the "Vent Restrictor Position" section for details on how to change the vent restrictor from the factory setting of Set 0 to Set 1 or Set 2 if required.

**Note:** Regency® Direct Vent System (Flex) is only approved for horizontal terminations.

- Maintain clearances to combustibles as listed in "Clearances" section
- Horizontal vent must be supported every 3 feet.
- Firestops are required at each floor level and whenever passing through a wall.
- A wall thimble is mandatory for all horizontal terminations due to high temperatures.
- Flex system can only be used up to 10 feet - otherwise rigid venting must be used.

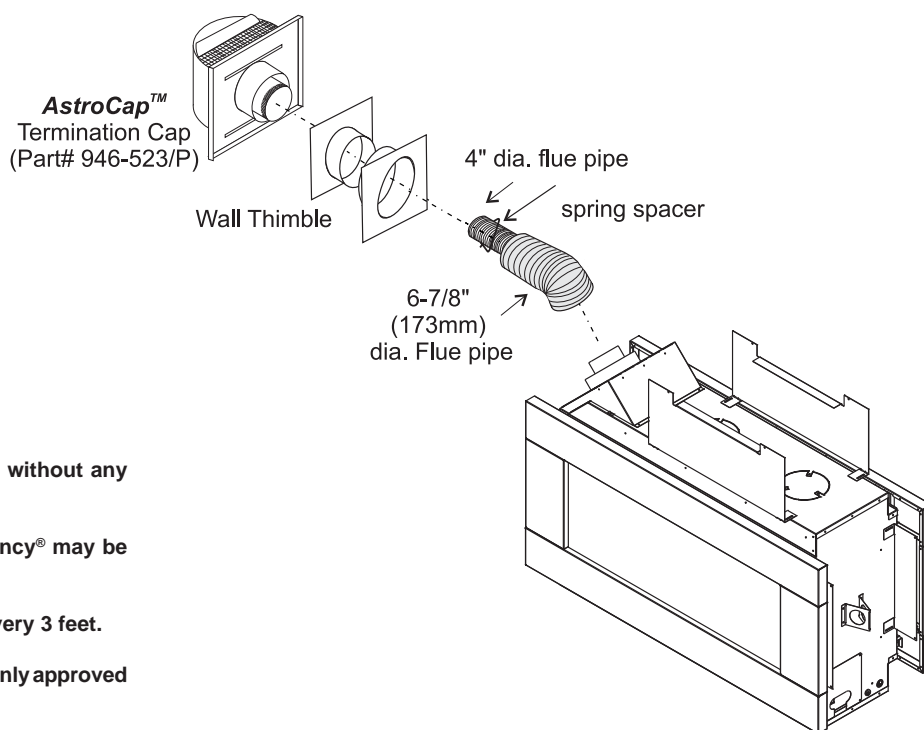
## HORIZONTAL TERMINATIONS

### FLEX VENT 4" X 6-5/8"

These venting systems, in combination with the HZ42STE Direct Vent Gas Fireplace, has been tested and listed as a direct vent heater system by Warnock Hersey/ Intertek. The location of the termination cap must conform to the requirements in the Vent Terminal Locations diagram in "Exterior Vent Termination Locations" section.

Regency® Direct Vent (Flex) System Termination Kits includes all the parts needed to install the HZ42 using a flexible vent.

| FPI Kit # | Length  | Contains:   |
|-----------|---------|---|
| #946-513  | 2 Feet  | 1) 6-5/8" flexible outer liner (Kit length)<br>2) 4" flexible inner liner (Kit length)<br>3) spring spacers<br>4) thimble |
| #946-515  | 4 Feet  | 5) <b>AstroCap</b> termination cap<br>6) screws<br>7) tube of Mill Pac  |
| #946-516  | 10 Feet | 8) plated screws<br>9) S.S. screws #8 x 1-1/2" drill point  |



#### Notes:

- 1) Liner sections should be continuous without any joints or seams.
- 2) Only Flex pipe purchased from Regency® may be used for Flex installations
- 3) Horizontal vent must be supported every 3 feet.
- 4) Regency® Direct Vent System (Flex) is only approved for horizontal terminations.
- 5) Flex system can only be used up to a maximum continuous vent length of up to 10 feet. If longer runs are required, rigid pipe must be used.



## RIGID/FLEX PIPE VENTING SYSTEMS

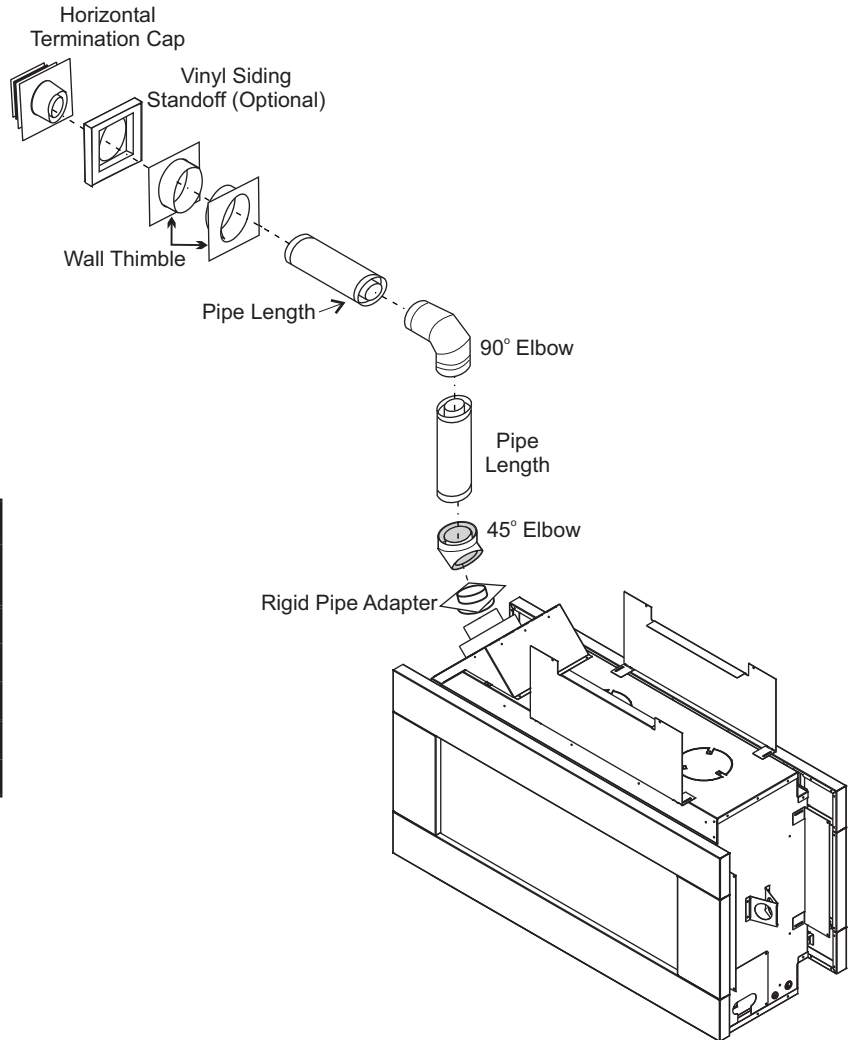
### Horizontal or Vertical Terminations

The minimum components required for a basic horizontal termination are:

- 1 Simpson Duravent Adaptor
- 1 Horizontal Termination Cap
- 1 45° Elbow
- 1 Rigid Pipe Adaptor
- 1 Wall Thimble
- 1 Length of pipe to suit wall thickness (see chart)

Wall thickness is measured from the back standoffs to the inside mounting surface of termination cap. For siding other than vinyl furring strips may be used, instead of the vinyl siding standoff, to create a level surface to mount the vent terminal. The Terminal must not be recessed into siding. Measure the wall thickness including furring strips.

If a Vinyl Siding Standoff is required (it must be used with vinyl siding), measure to outside surface of wall without siding and add 2 inches.



| Flat Wall Installation  |                               |
|-------------------------|-------------------------------|
| Wall Thickness (inches) | Vent Length Required (inches) |
| 4" - 5-1/2"             | 6"                            |
| 7" - 8-1/2"             | 9"                            |
| 10" - 11-1/2"           | 12"                           |
| 9" - 14-1/2"            | 11" - 14-5/8" Adj. Pipe       |
| 15" - 23-1/2"           | 17" - 24" Adj. Pipe           |

**WARNING:**

Do not combine venting components from different venting systems.

However use of the the AstroCap™ and FPI Riser is acceptable with all systems.

This product has been evaluated by Intertek for using a Rigid Pipe Adaptor in conjunction with Duravent Direct-Vent, Selkirk Direct-Temp, Ameri Vent Direct, ICC Excel, MetaFab venting and Security Secure Vent systems. Use of these systems with the Rigid Pipe adaptor is deemed acceptable and does not affect the Intertek WHI listing of components.

**When using Rigid Vent other than Simpson Dura-Vent, 3 screws must be used to secure rigid pipe to adaptor.**

The FPI AstroCap™ and FPI Riser Vent terminal are certified for installations using FPI venting systems as well as Simpson Dura-Vent® Direct Vent, American Metal Products Ameri Vent Direct Vent, ICC Excel, MetaFab, Security Secure Vent®, Selkirk Direct-Temp. AstroCap™ is a proprietary trademark of FPI Fireplace Products International Ltd. Dura-Vent® and Direct Vent are registered and/or proprietary trademarks of Simpson Dura-Vent Co. Inc.

## HORIZONTAL TERMINATIONS

### RIGID PIPE 4" X 6-5/8"

The diagrams below shows examples of horizontal termination arrangements using one, two, or three 90° elbows (two 45° elbows equal one 90° elbow)

1) A maximum of three 90° elbows are permitted (not including the starting 45° elbow at the flue collar when using rigid venting).

2) Minimum distance between elbows is 1 ft. (305mm).

- Maintain clearances to combustibles as listed in the "Clearances" section.
- Horizontal vent must be supported every 3 feet.
- Firestops are required at each floor level and whenever passing through a wall.
- Must use optional rigid pipe adaptor (Part# 510-994) when using rigid pipe vent systems.
- A vent guard should be used whenever the termination is lower than the specified minimum or as per local codes.
- Flex system can only be used up to 10 feet - otherwise rigid venting must be used.

### Horizontal Venting with Two (2) 90° Elbows

One 90° elbow = Two 45° elbows.

| Option | V       | H + H1  | With these options, maximum total pipe length is 30 feet with minimum of 6 feet total vertical and maximum 8 feet total horizontal.<br><br><i>Please note minimum 1 foot between 90° elbows is required.</i> |
|--------|---------|---------|--|
| A)     | 1' Min. | 3' Max. |  |
| B)     | 2' Min. | 4' Max. |  |
| C)     | 3' Min. | 5' Max. |  |
| D)     | 4' Min. | 6' Max. |  |
| E)     | 5' Min. | 7' Max. |  |
| F)     | 6' Min. | 8' Max. |  |

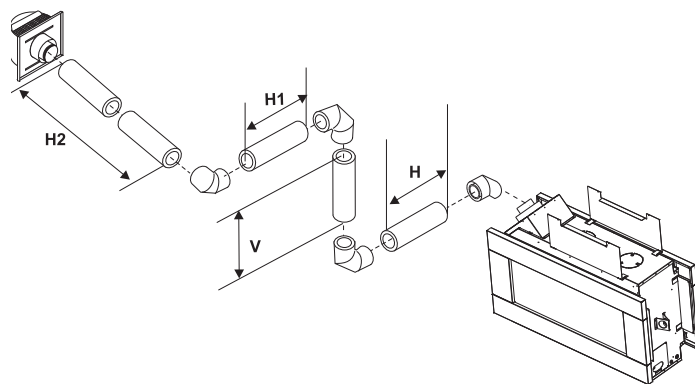
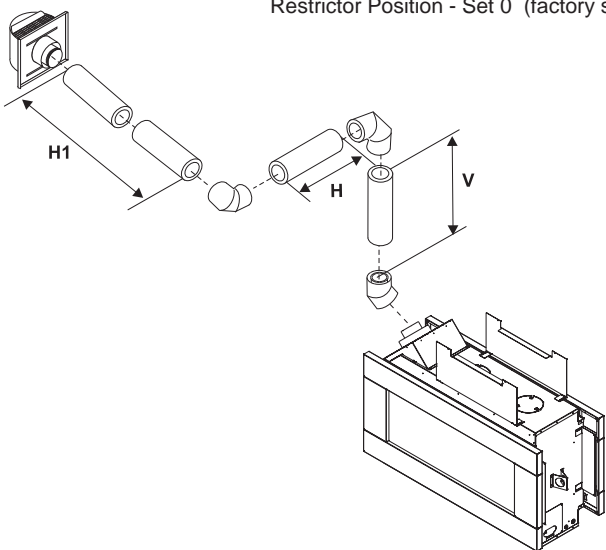
Restrictor Position - Set 0 (factory setting)

### Horizontal Venting with Three (3) 90° Elbows

One 90° elbow = Two 45° elbows.

| Option | H       | V        | H+H1+H2 | With these options, maximum total pipe length is 30 feet with minimum of 11 feet total vertical and maximum 9 feet total horizontal.<br><br><i>Please note minimum 1 foot between 90° elbows is required.</i> |
|--------|---------|----------|---------|---|
| A)     | 1' Max. | 1' Min.  | 3' Max. |   |
| B)     | 2' Max. | 3' Min.  | 5' Max. |   |
| C)     | 3' Max. | 5' Min.  | 6' Max. |   |
| D)     | 4' Max. | 7' Min.  | 7' Max. |   |
| E)     | 5' Max. | 9' Min.  | 8' Max. |   |
| F)     | 6' Max. | 11' Min. | 9' Max. |   |

Restrictor Position - Set 0 (factory setting)

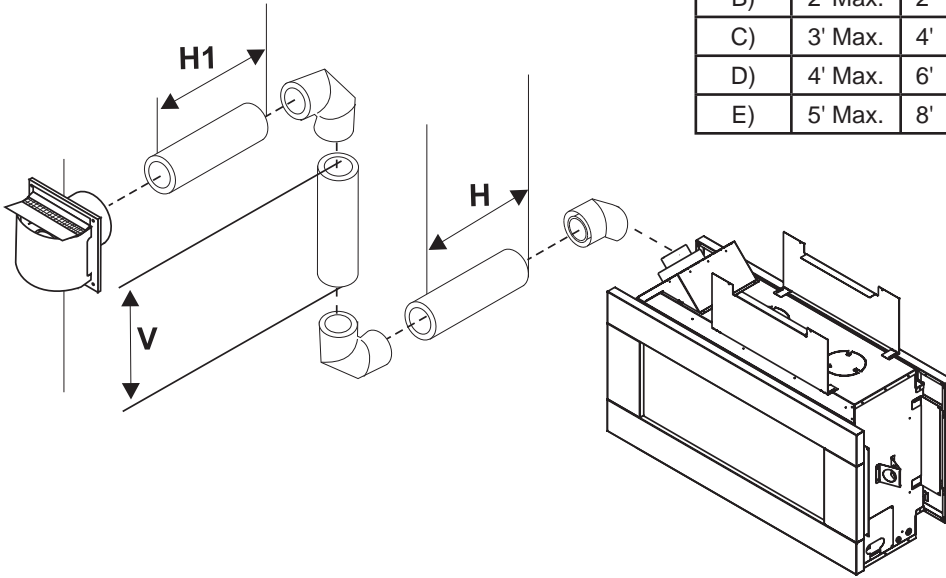


## Horizontal Venting with Two (2) 90° Elbows

One 90° elbow = Two 45° elbows.

| Option | H       | V       | H+H1    | With these options, maximum total pipe length is 30 feet with minimum of 8 feet total vertical and maximum 8 feet total horizontal.<br><br><b>Please note minimum 1 foot between 90° elbows is required.</b> |
|--------|---------|---------|---------|--|
| A)     | 1' Max. | 1' Min. | 3' Max. |  |
| B)     | 2' Max. | 2' Min. | 5' Max. |  |
| C)     | 3' Max. | 4' Min. | 6' Max. |  |
| D)     | 4' Max. | 6' Min. | 7' Max. |  |
| E)     | 5' Max. | 8' Min. | 8' Max. |  |

Restrictor Position - Set 0 (factory setting)

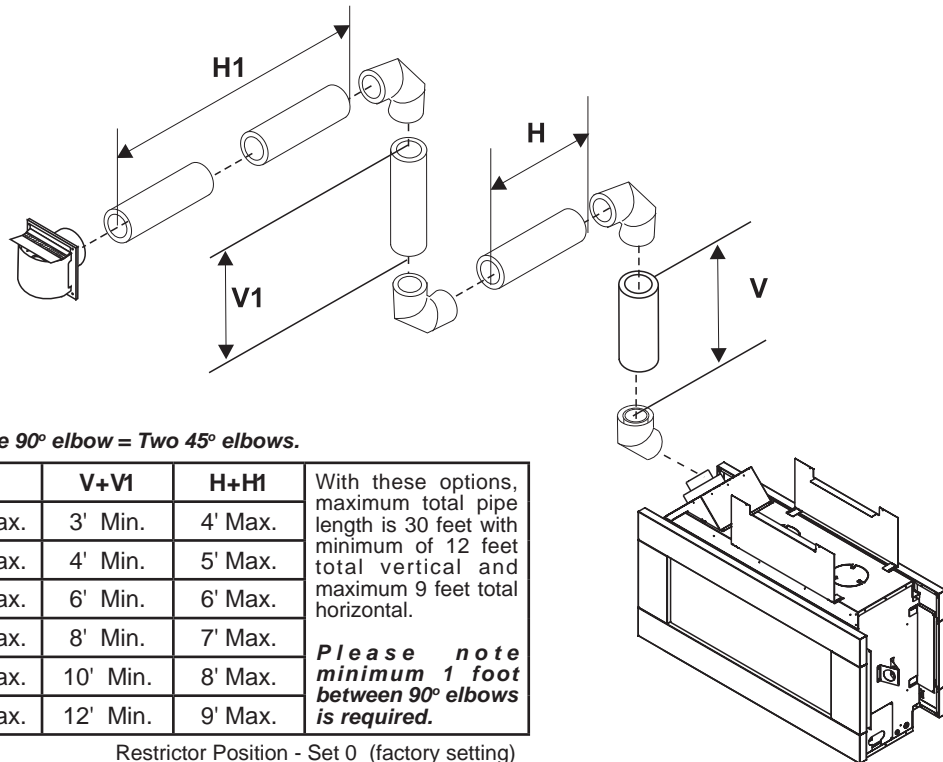


## Horizontal Venting with Three (3) 90° Elbows

One 90° elbow = Two 45° elbows.

| Option | V       | H       | V+V1     | H+H1    | With these options, maximum total pipe length is 30 feet with minimum of 12 feet total vertical and maximum 9 feet total horizontal.<br><br><b>Please note minimum 1 foot between 90° elbows is required.</b> |
|--------|---------|---------|----------|---------|---|
| A)     | 2' Min. | 1' Max. | 3' Min.  | 4' Max. |   |
| B)     | 3' Min. | 2' Max. | 4' Min.  | 5' Max. |   |
| C)     | 4' Min. | 3' Max. | 6' Min.  | 6' Max. |   |
| D)     | 5' Min. | 4' Max. | 8' Min.  | 7' Max. |   |
| E)     | 6' Min. | 5' Max. | 10' Min. | 8' Max. |   |
| F)     | 7' Min. | 6' Max. | 12' Min. | 9' Max. |   |

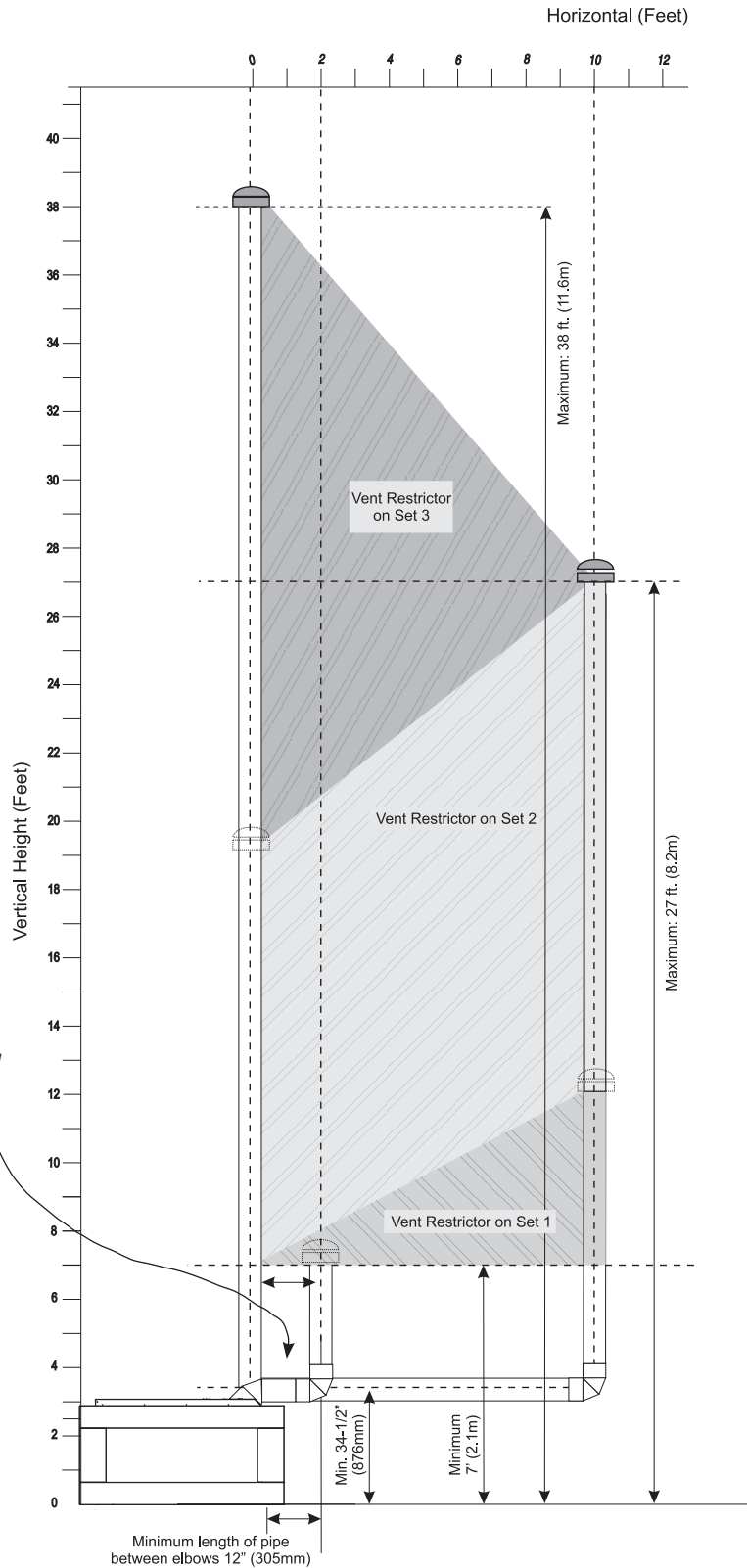
Restrictor Position - Set 0 (factory setting)



## VENTING ARRANGEMENT FOR VERTICAL TERMINATIONS

The shaded area in the diagram shows all allowable combinations of straight vertical and offset to vertical terminations, using one 90° elbows, with **Rigid**

**Pipe Venting Systems** for Natural Gas. Two 45° elbows equal to one 90° elbow. Maximum of two 45° elbows allowed.



*Please note: min. 1 foot horizontal required before 90° elbow. (No back to back elbows.)*

- Vent must be supported at offsets.
- Firestops are required at each floor level and whenever passing through a wall.
- Maintain clearances to combustibles as listed in the "Clearances" section.
- Refer to the "Vent Restrictor Position" section for details on how to change the vent restrictor from Set 0 (factory setting) to Set 1 to Set 2 or Set 3 if required.

**Note:** Must use optional flue adaptor when using Rigid Pipe (Part # 510-994).

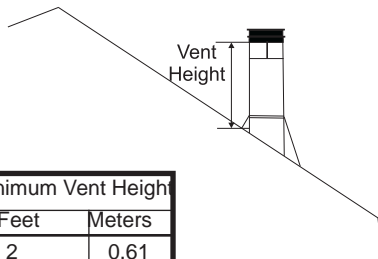
## VERTICAL TERMINATIONS

### RIGID PIPE 4" X 6-5/8"

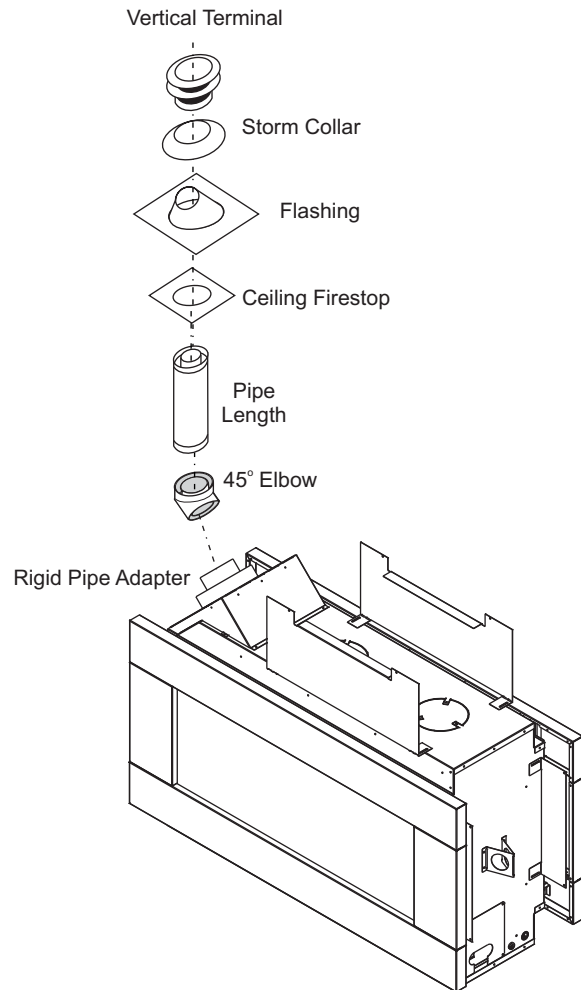
The minimum components required for a basic vertical termination are:

- 1 Vertical Termination Cap
- 1 45° Elbow
- 1 Rigid Pipe Adaptor (510-994)
- 1 Ceiling Firestop
- 1 Flashing
- 1 Storm Collar
- 1 Length of pipe to suit wall thickness (see chart)

Galvanized pipe is desirable above the roofline due to its higher corrosion resistance. Continue to add pipe sections through the flashing until the height of the vent cap meets the minimum height requirements specified in Dia. 4 or local codes. Note that for steep roof pitches, the vertical height must be increased. A poor draft, or down drafting can result from high wind conditions near big trees or adjoining roof lines, in these cases, increasing the vent height may solve the problem.



| Roof Pitch          | Minimum Vent Height |        |
|---------------------|---------------------|--------|
|                     | Feet                | Meters |
| flat to 7/12        | 2                   | 0.61   |
| over 7/12 to 8/12   | 2                   | 0.61   |
| over 8/12 to 9/12   | 2                   | 0.61   |
| over 9/12 to 10/12  | 2.5                 | 0.76   |
| over 10/12 to 11/12 | 3.25                | 0.99   |
| over 11/12 to 12/12 | 4                   | 1.22   |
| over 12/12 to 14/12 | 5                   | 1.52   |
| over 14/12 to 16/12 | 6                   | 1.83   |
| over 16/12 to 18/12 | 7                   | 2.13   |
| over 18/12 to 20/12 | 7.5                 | 2.29   |
| over 20/12 to 21/12 | 8                   | 2.44   |



#### **WARNING:**

Do not combine venting components from different venting systems.

However use of the the AstroCap™ and FPI Riser is acceptable with all systems.

This product has been evaluated by Intertek for using a Rigid Pipe Adaptor in conjunction with DuraVent Direct-Vent, Selkirk Direct-Temp, Ameri Vent Direct Venting, ICC Excel Direct and Security Secure Vent systems. Use of these systems with the Rigid Pipe adaptor is deemed acceptable and does not affect the Intertek WHI listing of components.

**When using Rigid Vent other than Simpson Dura-Vent, 3 screws must be used to secure rigid pipe to adaptor.**

The FPI AstroCap™ and FPI Riser Vent terminal are certified for installations using FPI venting systems as well as Simpson Dura-Vent® Direct Vent, American Metal Products Ameri Vent Direct Vent, Security Secure Vent®, ICC Excel, Selkirk Direct-Temp. AstroCap™ is a proprietary trademark of FPI Fireplace Products International Ltd. Dura-Vent® and Direct Vent are registered and/or proprietary trademarks of Simpson Dura-Vent Co. Inc.

## VERTICAL TERMINATIONS

### RIGID PIPE 4" X 6-5/8"

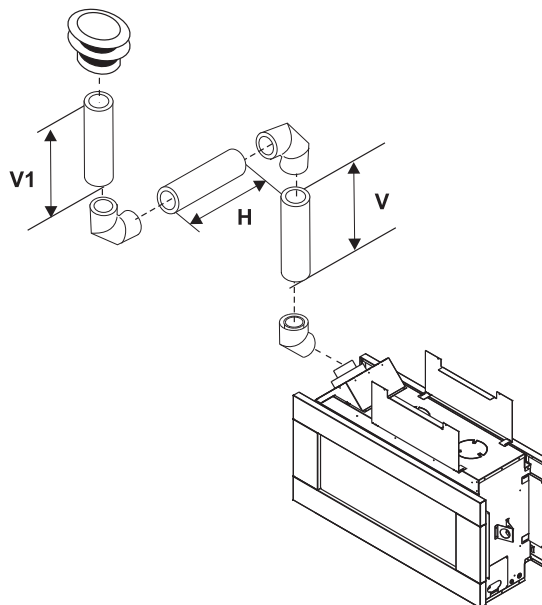
- Two 45° elbows equal to one 90° elbow. Maximum of four 45° elbows allowed, not including the starting 45° elbow at the flue collar.
- Vent must be supported at offsets.
- Minimum distance between elbows is 1 ft. (305mm).
- Maintain clearances to combustibles as listed in the "Clearances" section.
- Horizontal vent must be supported every 3 feet.
- Firestops are required at each floor level and whenever passing through a wall.
- Must use optional rigid pipe adaptor (Part# 510-994) when using rigid pipe vent systems.

#### Vertical Venting with Two (2) 90° Elbows

One 90° elbow = Two 45° elbows.

| Option | V       | H       | V+V1    | With these options, maximum total pipe length is 30 feet with minimum of 6 feet total vertical and maximum 8 feet total horizontal.<br><br><i>Please note minimum 1 foot between 90° elbows is required.</i> |
|--------|---------|---------|---------|--|
| A)     | 1' Min. | 4' Max. | 2' Min. |  |
| B)     | 2' Min. | 5' Max. | 3' Min. |  |
| C)     | 3' Min. | 6' Max. | 4' Min. |  |
| D)     | 4' Min. | 7' Max. | 5' Min. |  |
| E)     | 5' Min. | 8' Max. | 6' Min. |  |

Restrictor Position - Set 0 (factory setting)

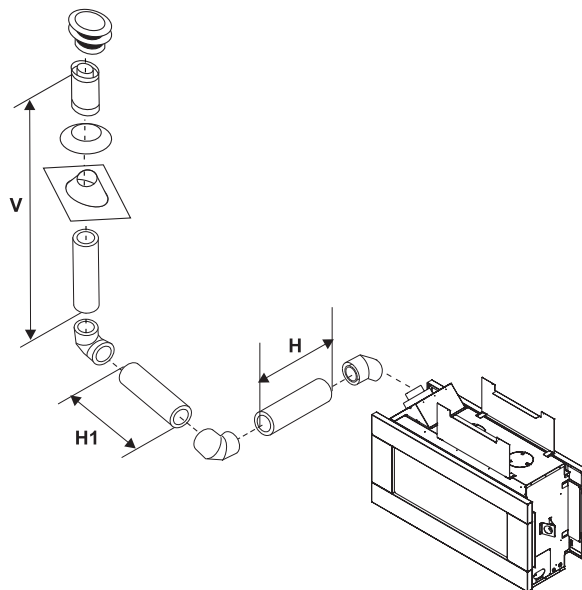


#### Vertical Venting with Two (2) 90° Elbows

One 90° elbow = Two 45° elbows.

| Option | H + H1  | V       | With these options, maximum total pipe length is 30 feet with minimum of 6 feet total vertical and maximum 6 feet total horizontal.<br><br><i>Please note minimum 1 foot between 90° elbows is required.</i> |
|--------|---------|---------|--|
| A)     | 2' Max. | 2' Min. |  |
| B)     | 3' Max. | 3' Min. |  |
| C)     | 4' Max. | 4' Min. |  |
| D)     | 5' Max. | 5' Min. |  |
| E)     | 6' Max. | 6' Min. |  |

Restrictor Position - Set 0 (factory setting)



For additional vertical venting with 2 x 90° elbows, refer to "Rigid Pipe Venting Arrangements" Section.



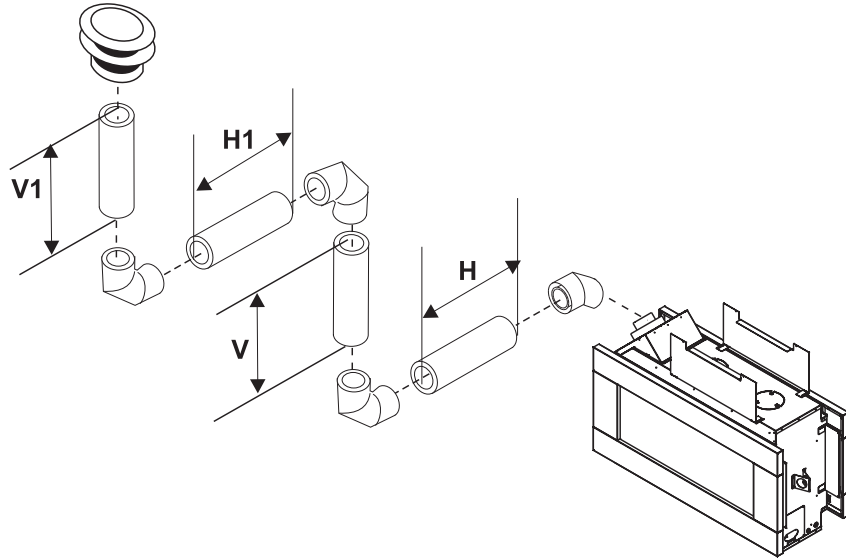
## Vertical Venting with Three (3) 90° Elbows

One 90° elbow = Two 45° elbows.

| Option | H       | V       | H + H1  | V + V1   |
|--------|---------|---------|---------|----------|
| A)     | 1' Max. | 1' Min. | 3' Max. | 3' Min.  |
| B)     | 2' Max. | 2' Min. | 4' Max. | 5' Min.  |
| C)     | 3' Max. | 3' Min. | 5' Max. | 7' Min.  |
| D)     | 4' Max. | 4' Min. | 6' Max. | 9' Min.  |
| E)     | 5' Max. | 5' Min. | 7' Max. | 11' Min. |

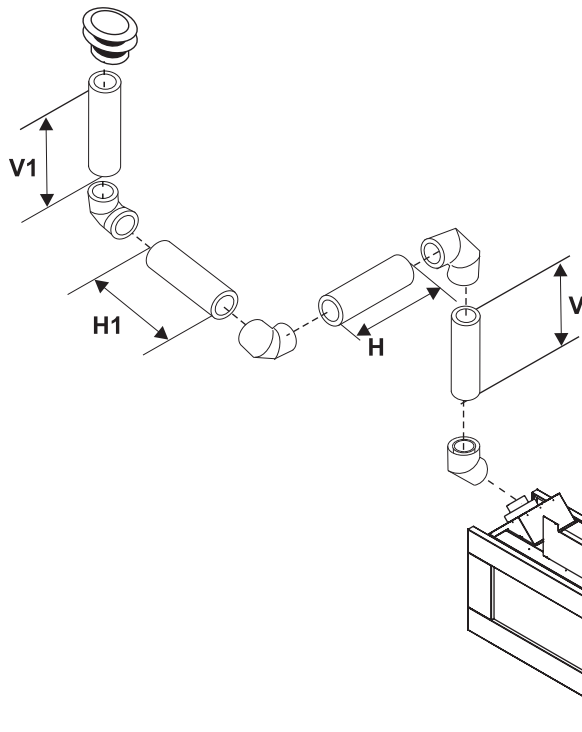
With these options, max. total pipe length is 30 feet with min. of 11 feet total vertical and max. 7 feet total horizontal.  
**Please note min. 1 foot between 90° elbows is required.**

Restrictor Position - Set 0 (factory setting)



## Vertical Venting with Three (3) 90° Elbows

One 90° elbow = Two 45° elbows.



| Option | V       | H + H1  | V + V1   |
|--------|---------|---------|----------|
| A)     | 2' Min. | 3' Max. | 4' Min.  |
| B)     | 3' Min. | 4' Max. | 6' Min.  |
| C)     | 4' Min. | 5' Max. | 7' Min.  |
| D)     | 5' Min. | 6' Max. | 8' Min.  |
| E)     | 6' Min. | 7' Max. | 9' Min.  |
| F)     | 7' Min. | 8' Max. | 10' Min. |

With these options, max. total pipe length is 30 feet with min. of 10 feet total vertical and max. 8 feet total horizontal.  
**Please note min. 1 foot between 90° elbows is required.**

Restrictor Position - Set 0 (factory setting)

# INSTALLATION

## UNIT INSTALLATION WITH HORIZONTAL TERMINATION

4" X 6-5/8"

VENTING

(Rigid Vent Systems)

### Minimum Vent Clearances to Combustibles

\* Clearances noted below must be maintained; except when passing through a wall, ceiling or at the termination where the use of a firestop or wall thimble reduces clearance to 1-1/2" (38mm).

|                   |            |
|-------------------|------------|
| Horizontal Top*   | 3" (76mm)* |
| Horizontal Side   | 2" (51mm)  |
| Horizontal Bottom | 2" (51mm)  |
| Vertical Vent     | 2" (51mm)  |

Below are the recommended framing dimensions (inside measurements) for the 4" x 6-5/8" rigid vent terminations - for use with a firestop or wall thimble.

| Recommended Framed Opening Size |              |
|---------------------------------|--------------|
| Vent Size                       | Framing Size |
| 4" x 6 - 5/8"                   | 10" x 10"    |

Install the vent system according to the manufacturer's instructions included with the components.

- 1) Set the unit in its desired location. Check to determine if wall studs or roof rafters are in the way when the venting system is attached. If this is the case, you may want to adjust the location of the unit. Rough in the gas preferably on the right side of the unit and the electrical (junction block is on the left side) on the left.
- 2) Direct Vent pipe and fittings are designed with special twist-lock connections to connect the venting system to the appliance flue outlet. A twist-lock appliance adaptor is required.
- 3) In conjunction with the Approved Vent system, install the adaptor after the unit is set in its desired location. Put a bead of high temperature silicone inside the outer section of the adaptor and a bead of Mill Pack on the inner collar. Slip the adaptor over the existing inner and outer flue collar. Fasten to the outer collar only with the 3 supplied screws (drilling pilot holes will make this easier).
- 4) Level the fireplace and fasten it to the framing using nails or screws through the top and side nailing strips.

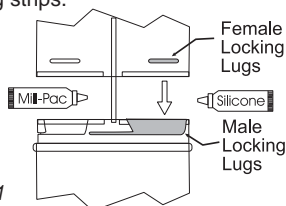


Diagram 1

- 5) Assemble the desired combination of pipe and elbows to the appliance adaptor and twist-lock for a solid connection.

**Note:** For best results and optimum performance with each approved venting system, it is highly recommended to apply "Mill-Pac" sealant (supplied) to every inner pipe connection. Failure to do so may result in drafting or performance issues not covered under warranty. Silicone (red RTV) is optional.

**Horizontal runs of vent must be supported every 3 feet (0.9meter). Wall straps are available for this purpose.**

- 6) Mark the wall for a square hole.-see chart to left for size. The center of the square hole should line up with the center-line of the horizontal pipe. Cut and frame the square hole in the exterior wall where the vent will be terminated. See diagram 2 for center line requirements.

If the wall being penetrated is constructed of non-combustible material, i.e. masonry block or concrete, an 8" (203mm) diameter hole is acceptable.

**Note:**

- a) The horizontal run of vent must be level, or have a 1/4 inch rise for every 1 foot of run towards the termination. Never allow the vent to run downward. This could cause high temperatures and may present the possibility of a fire.
- b) The location of the horizontal vent termination on an exterior wall must meet all local and national building codes, and must not be blocked or obstructed. See "Exterior Vent Termination Locations" section for more details.

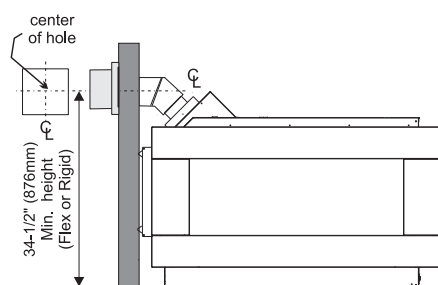


Diagram 2

- 7) Ensure that the pipe clearances to combustible materials are maintained (Diagram 5). Install the termination cap.

**Note:** If installing termination on a vinyl siding covered wall, a vinyl siding standoff or furring strips must be used to ensure that the termination is not recessed into the siding.

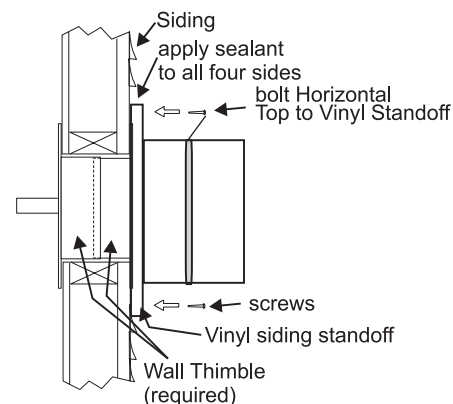


Diagram 5

The four wood screws provided should be replaced with appropriate fasteners for stucco, brick, concrete, or other types of sidings.

- 8) Before connecting the horizontal run of vent pipe to the vent termination, slide the Wall Thimble over the vent pipe. The wall thimble is required for all horizontal terminations.
- 9) Slide the appliance and vent assembly towards the wall carefully inserting the vent pipe into the vent cap assembly. It is important that the vent pipe extends into the vent cap sufficient distance so as to result in a minimum pipe overlap of 1-1/4 inches (32mm). Secure the connection between the vent pipe and the vent cap.
- 10) Install wall thimble in the center of the framed hole and attach with wood screws (Diagram 7).

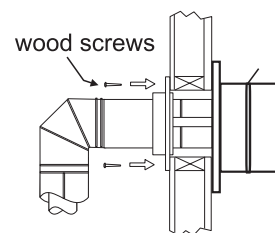


Diagram 7

## UNIT INSTALLATION WITH HORIZONTAL TERMINATION

**4" X 6-5/8" VENTING**  
(Flex Vent Systems)

### Minimum Vent Clearances to Combustibles

\* Clearances noted below must be maintained; except when passing through a wall, ceiling or at the termination where the use of a firestop or wall thimble reduces clearance to 1-1/2" (38mm).

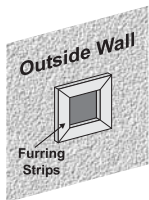
|                   |            |
|-------------------|------------|
| Horizontal Top*   | 3" (76mm)* |
| Horizontal Side   | 2" (51mm)  |
| Horizontal Bottom | 2" (51mm)  |
| Vertical Vent     | 2" (51mm)  |

Below are the recommended framing dimensions (inside measurements) for the 4" x 6-5/8" and 5" x 8" rigid vent terminations - for use with a firestop or wall thimble.

| Recommended Framed Opening Size |              |
|---------------------------------|--------------|
| Vent Size                       | Framing Size |
| 4" x 6 - 5/8"                   | 10" x 10"    |

- 1) Locate the unit in the framing, rough in the gas (preferably on the right side of the unit). Locate the centerline of the termination and mark wall accordingly. Cut an square hole in the wall - see chart (inside dimension).

**Note:** If installing termination on a siding covered wall, a vinyl siding standoff or vinyl furring strips must be used to ensure that the termination is not recessed into the siding.

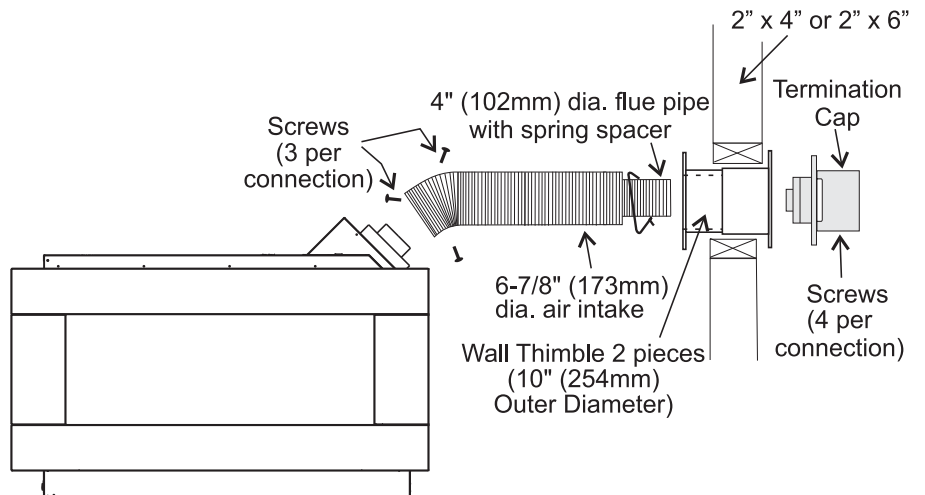
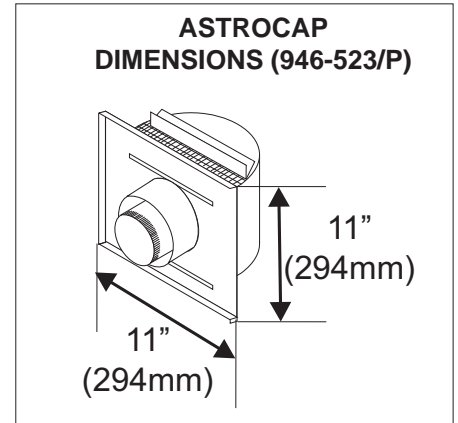


- 2) Level the fireplace and fasten it to the framing using nails or screws through the nailing strips.
- 3) Assemble the vent assembly by applying Mill Pac to the inner flue collar of the termination and slipping the inner flex liner over it at least 1-3/8" (35mm). Fasten with the 3 screws (drilling pilot holes will make this easier). Apply Mill Pac or high temperature silicone to the outer flex pipe and slip it over the outer flue collar of the vent terminal at least 1-3/8" (35mm) and fasten with the 3 screws.

**NOTE:** Horizontal sections must be supported at intervals not exceeding 3 feet (0.9 meter). (Flame picture and performance will be affected by sags in the liner).

- 4) Separate the 2 halves of the wall thimble and securely fasten the one with the tabs to the outside wall making sure that the tabs are on top and bottom. Fasten the other thimble half to the inside wall. The thimble halves slip inside each other and can be adjusted for 2 x 4 or 2 x 6 walls.
- 5) Slip the assembled liner and termination assembly through the thimble making sure the termination cap faces up (there are markings on the cap that show which way is up). This will position the termination cap with proper down slope for draining water. Fasten the cap to the outer wall with the 4 supplied screws.
- 6) Pull the centre inner and outer flex liner out enough to slip over the flue collars of the fireplace. (You may wish to cut the liner shorter to make it more workable.) Do not bend liner more than 90°. **The liners must slip over the collars a minimum of 1-3/8".**
- 7) Apply Mill Pac over the fireplace inner flue collar and slip the inner flex liner down over it and attach with 3 supplied screws.
- 8) Do the same with the outer flue collar and outer flex liner.
- 9) Apply a bead of silicone between the thimble and termination and around the outer edge of the terminal at the wall in order to keep the water out.

**IMPORTANT:** Do not locate termination hood where excessive snow or ice buildup may occur. Be sure to check vent termination area after snow falls, and clear to prevent accidental blockage of venting system. When using snow blowers, make sure snow is not directed towards vent termination area.



## UNIT INSTALLATION WITH VERTICAL TERMINATION 4" X 6-5/8" VENTING (Rigid Vent Systems)

- 1) Maintain the 1-1/2" clearances (air spaces) to combustibles when passing through ceilings, walls, roofs, enclosures, attic rafter, or other nearby combustible surfaces. Do not pack air spaces with insulation. Check "Venting" Sections for the maximum vertical rise of the venting system and the maximum horizontal offset limitations.

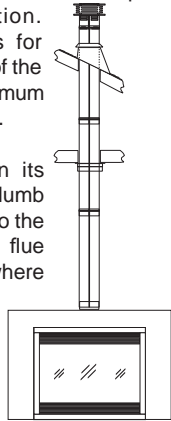


Diagram 1

- 2) Set the gas appliance in its desired location. Drop a plumb bob down from the ceiling to the position of the appliance flue exit, and mark the location where the vent will penetrate the ceiling. Drill a small hole at this point. Next, drop a plumb bob from the roof to the hole previously drilled in the ceiling, and mark the spot where the vent will penetrate the roof.
- 3) A Firestop spacer must be installed in the floor or ceiling of every level. To install the Firestop spacer in a flat ceiling or wall, cut a 10 inch square hole. Frame the hole as shown in Diagram 2 and install the firestop.

**Note: All vertical terminations are vented using 4" x 6-5/8" venting and rigid pipe adaptor #510-994.**

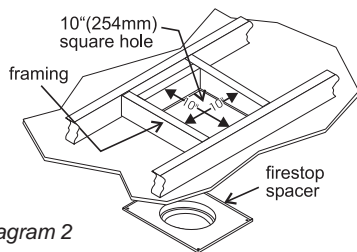
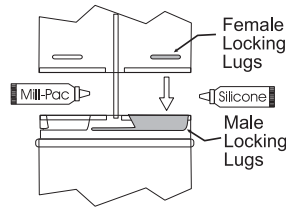


Diagram 2

- 4) Assemble the desired lengths of pipe and elbows. Ensure that all pipes and elbow connections are in the fully twist-locked position and sealed.



**NOTE: For best results and optimum performance with each approved venting system, it is highly recommended to apply "Mill-Pac" sealant (supplied) to every inner pipe connection. Failure to do so may result in drafting or performance issues not covered under warranty. Silicone (red RTV) is optional.**

- 5) Cut a hole in the roof centered on the small drilled hole placed in the roof in Step 2. The hole should be of sufficient size to meet the minimum requirements for clearance to combustibles of 1-1/2". Slip the flashing under the shingles (shingles should overlap half the flashing) as per Diagram 3.

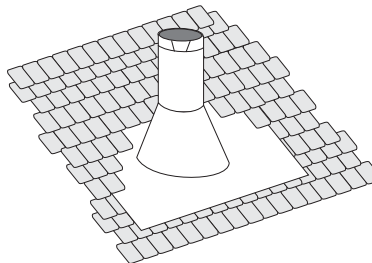


Diagram 3: The upper half of the flashing is installed under the roofing material and not nailed down until the chimney is installed. This allows for small adjustments.

- 6) Continue to assemble pipe lengths.

**Note: If an offset is necessary in the attic to avoid obstructions, it is important to support the vent pipe every 3 feet, to avoid excessive stress on the elbows, and possible separation. Wall straps are available for this purpose.**

Galvanized pipe is desirable above the roofline due to its higher corrosion resistance. Continue to add pipe sections through the flashing until the height of the vent cap meets the minimum height requirements specified in Dia. 4 or local codes. Note that for steep roof pitches, the vertical height must be increased. A poor draft, or down drafting can result from high wind conditions near big trees or adjoining roof lines, in these cases, increasing the vent height may solve the problem.

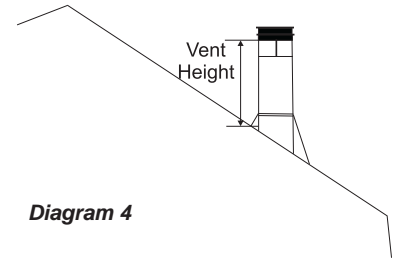


Diagram 4

| Roof Pitch          | Minimum Vent Height |        |
|---------------------|---------------------|--------|
|                     | Feet                | Meters |
| flat to 7/12        | 2                   | 0.61   |
| over 7/12 to 8/12   | 2                   | 0.61   |
| over 8/12 to 9/12   | 2                   | 0.61   |
| over 9/12 to 10/12  | 2.5                 | 0.76   |
| over 10/12 to 11/12 | 3.25                | 0.99   |
| over 11/12 to 12/12 | 4                   | 1.22   |
| over 12/12 to 14/12 | 5                   | 1.52   |
| over 14/12 to 16/12 | 6                   | 1.83   |
| over 16/12 to 18/12 | 7                   | 2.13   |
| over 18/12 to 20/12 | 7.5                 | 2.29   |
| over 20/12 to 21/12 | 8                   | 2.44   |

- 7) Ensure vent is vertical and secure the base of the flashing to the roof with roofing nails, slide storm collar over the pipe section and seal with a mastic.
- 8) Install the vertical termination cap by twist-locking it.

*Note: Any closets or storage spaces, which the vent passes through must be enclosed.*

## HZ42STE-NG SYSTEM DATA

|                           |                        |
|---------------------------|------------------------|
| Min. Supply Pressure      | 5" WC (1.25 kpa)       |
| Low Setting Man. Pressure | 1.6" WC (0.40kpa)      |
| Max. Manifold Pressure    | 3.5" WC (0.87 kpa)     |
| Orifice Size              | #40 DMS                |
| Minimum Input             | 17,500 Btu/h (5.13 kW) |
| Maximum Input             | 26,000 Btu/h (7.62 kW) |

## HZ42STE LP SYSTEM DATA

|                           |                        |
|---------------------------|------------------------|
| Min. Supply Pressure      | 12" WC (2.98 kpa)      |
| Low Setting Man. Pressure | 6.4" WC (1.59kpa)      |
| Max. Manifold Pressure    | 10" WC (2.49 kpa)      |
| Orifice Size              | #53 DMS                |
| Minimum Input             | 19,500 Btu/h (5.71 kW) |
| Maximum Input             | 24,500 Btu/h (7.18 kW) |

## HIGH ELEVATION

This unit is approved for altitude 0 to 4500 ft. (CAN1 2.17-M91).

## GAS LINE INSTALLATION

Since some municipalities have additional local codes it is always best to consult with your local authorities and the CAN/CGA B149 installation code.

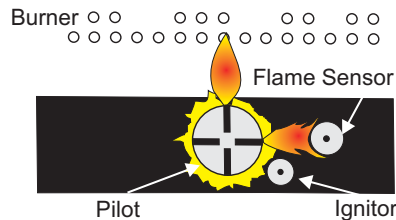
For USA installations follow local codes and/or the current National Fuel Gas Code, ANSI Z223.1.

When using copper or flex connectors use only approved fittings. Always provide a union so that gas lines can be easily disconnected for servicing. Flare nuts for copper lines and flex connectors are usually considered to meet this requirement.

**NOTE: A shutoff / dante valve should be supplied in or near the unit (or as per local codes) for ease of servicing this appliance.**

**IMPORTANT: Always check for gas leaks with a soap and water solution or gas leak detector. Do not use open flame for leak testing.**

## PILOT ADJUSTMENT



Periodically check the pilot flames. Correct flame pattern has three strong blue flames: 1 flowing around the thermopile, 1 around the thermocouple and 1 flowing across the burner.

**Note: If you have an incorrect flame pattern, contact your Regency® dealer for further instructions.**

Incorrect flame pattern will have small, probably yellow flames, not coming into proper contact with the burner or thermopile or thermocouple.

## GAS PIPE PRESSURE TESTING

The appliance must be isolated from the gas supply piping system by closing its individual manual shut-off valve during any pressure testing of the gas supply piping system at test pressures equal to or less than 1/2 psig. (3.45 kPa). Disconnect piping from valve at pressures over 1/2 psig.

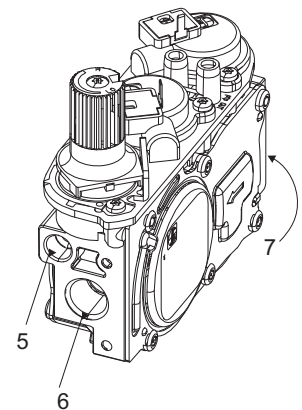
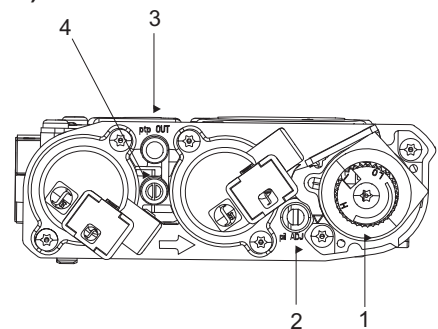
The manifold pressure is controlled by a regulator built into the gas control, and should be checked at the pressure test point.

**Note: To properly check gas pressure, both inlet and manifold pressures should be checked using the valve pressure ports on the valve.**

- 1) Make sure the valve is in the "OFF" position.
- 2) Loosen the "IN" and/or "OUT" pressure tap(s), turning counterclockwise with a 1/8" wide flat screwdriver.
- 3) Attach manometer to "IN" and/or "OUT" pressure tap(s) using a 5/16" ID hose.
- 4) Light the pilot and turn the valve to "ON" position.
- 5) The pressure check should be carried out with the unit burning and the setting should be within the limits specified on the safety label.  
**Note: Screw should be snug, but do not over tighten.**
- 6) When finished reading manometer, turn off the gas valve, disconnect the hose and tighten the screw (clockwise) with a 1/8" flat screwdriver.

## 886 S.I.T. VALVE DESCRIPTION

- 1) Manual high/low adjustment
- 2) Pilot adjustment
- 3) Outlet Pressure Tap
- 4) Inlet Pressure Tap
- 5) Pilot Outlet
- 6) Main Gas Outlet
- 7) Main Gas Inlet



## AERATION ADJUSTMENT

The burner aeration is factory set but may need adjusting due to either the local gas supply or altitude. Open the air shutter for a blue flame or close for a more yellow flame.

**Minimum Air Shutter Opening:**

|    |              |
|----|--------------|
| NG | Fully Closed |
| LP | 3/16"        |

**With Logs:**

|    |           |
|----|-----------|
| NG | 1/4"      |
| LP | Full open |

**Note: Any damage due to carboning resulting from improperly setting the aeration controls is NOT covered under warranty.**

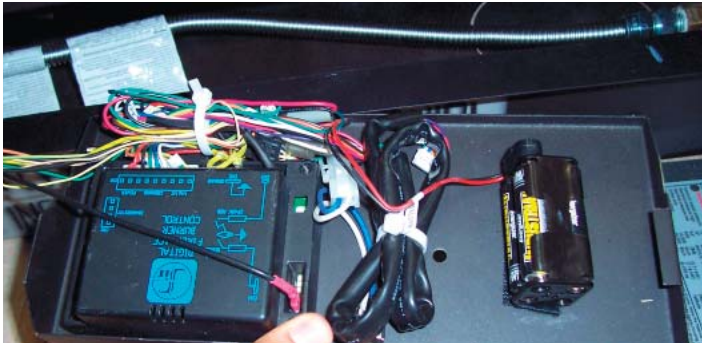


# INSTALLATION

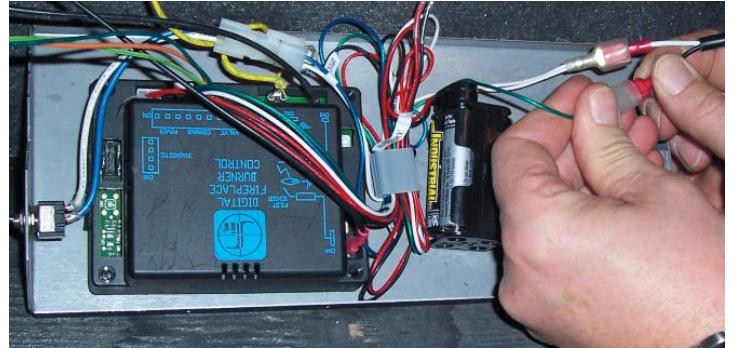
## BATTERY & ON | OFF SWITCH INSTALLATION

**DFBC** = digital fireplace burner control

- 1) Remove glass door and valve cover (see valve cover removal section in this manual) to access to DFBC & battery pack.
- 2) Lift DFBC and battery pack up and out.

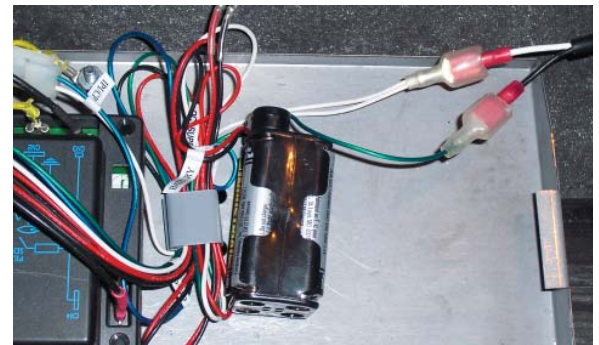
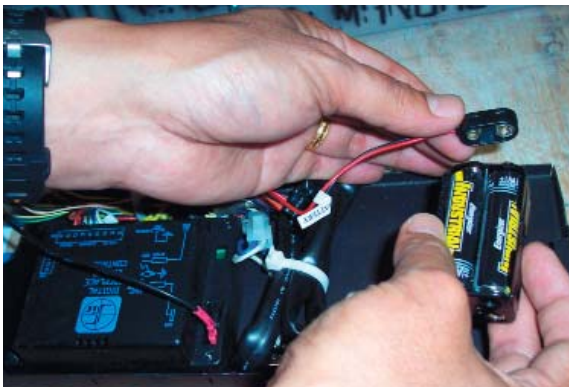


- 5) Locate the Green and White from the DFBC module wire harness; connect the spade connectors from the On/Off switch. Green to Black and White to White.

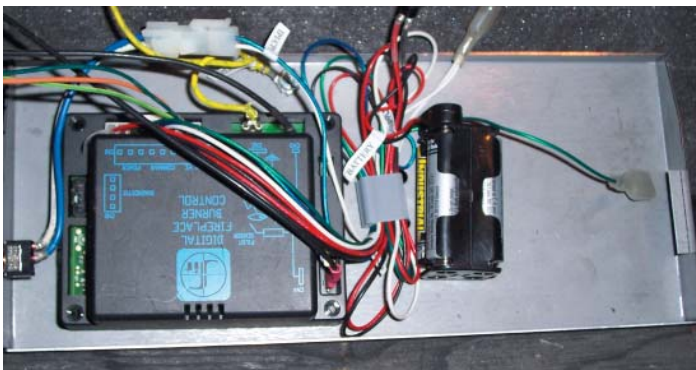


- 6) Reinstall the module and battery pack tray into the holder

- 3) Disconnect connector from battery holder and remove from tray – (battery holder is attached by Velcro to tray).



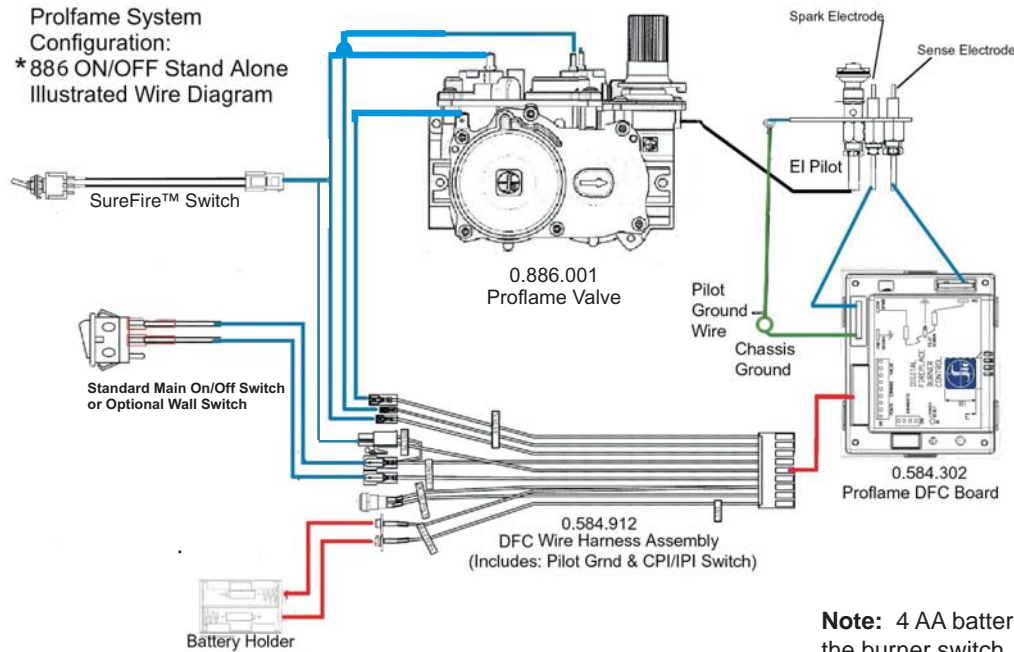
- 4) Install - 4 AA batteries, reconnect the connector to the battery pack and put back onto Velcro strip



## WIRING DIAGRAM

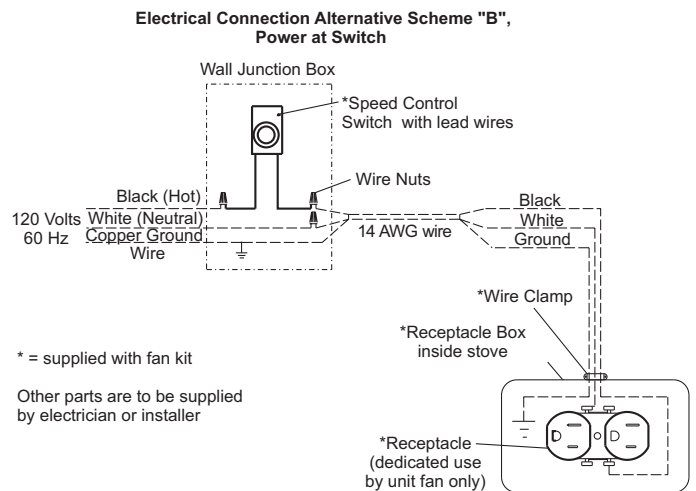
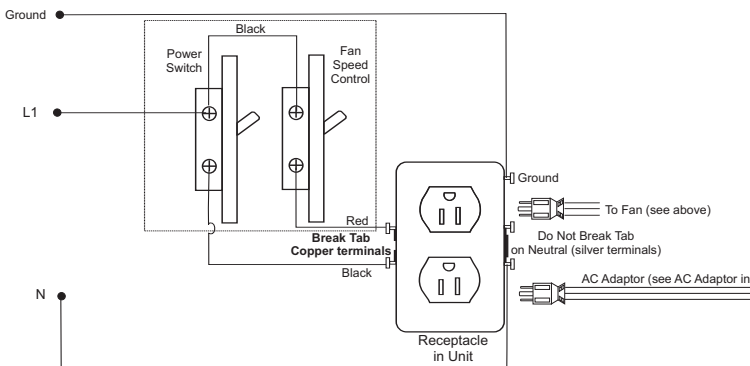
**Caution:** Ensure that the wires do not touch any hot surfaces and are away from sharp edges.

**CAUTION:** Label all wires prior to disconnection when servicing controls. Wiring errors can cause improper and dangerous operation.



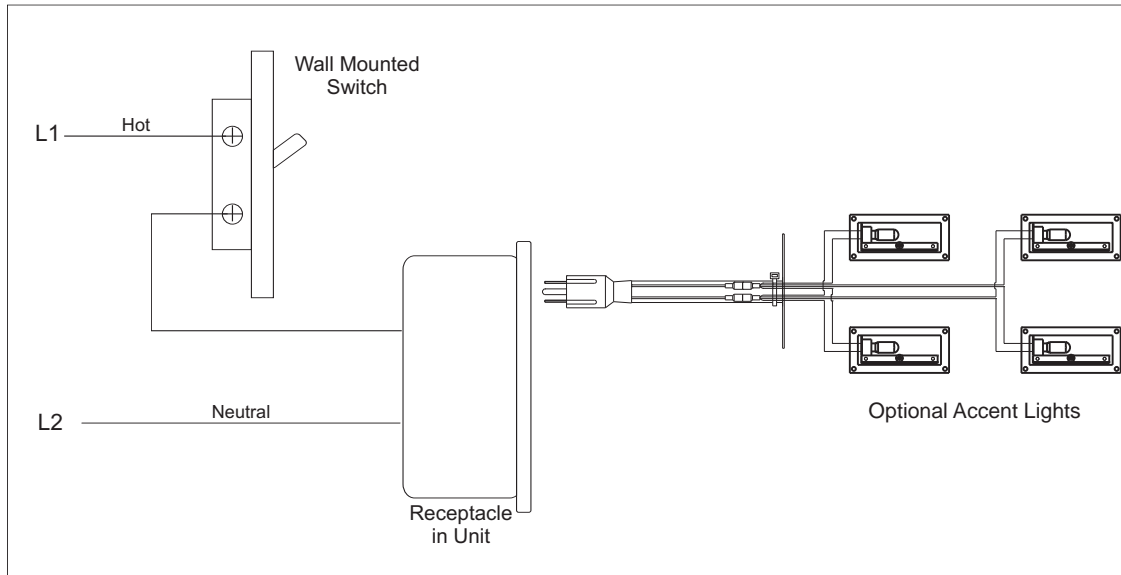
**Note:** 4 AA batteries must be installed to operate the burner switch.  
Do not use a 9 volt battery.

**IMPORTANT:** If the optional remote control is used, the AA batteries normally installed into the battery holder must be removed. The AA batteries in the receiver now operate the unit. Having AA batteries in both the battery holder and receiver will damage the gas valve.





## OPTIONAL ACCENT LIGHTING WIRING DIAGRAM



## AC POWER ADAPTOR INSTALLATION (FOR SUREFIRE SYSTEMS)

An optional AC power adaptor may be installed as a constant power source for the SureFire system.

**NOTE: AC power adaptor is not required when using GTMF Remote**

**IMPORTANT:** Recommend removing the 4-AA batteries in the SureFire receiver.

This will avoid battery leakage and power drainage. 4-AA Battery pack may be re-installed into receiver during power outages.

**NOTE:** For all **Gas Fireplaces** 120 volt power must be brought to the **receptacle box** inside the **bottom of the firebox** (provided with the unit).

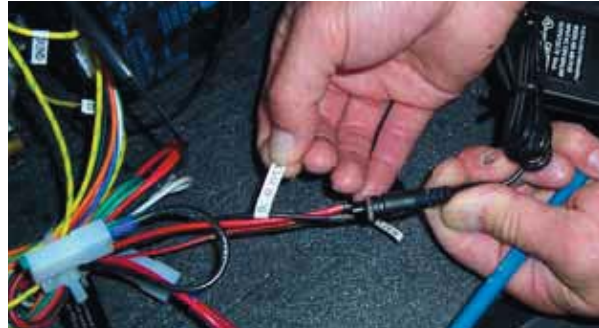
All Freestanding **Gas Stoves** & **Gas Inserts** will need a **receptacle box** located **outside / near the unit** so that the AC Power Adaptor can be plugged in.

### INSTALL AC ADAPTOR WITH SUREFIRE WALL SWITCH ONLY - (WITHOUT REMOTE)

- 1) Locate "DC Supply" tag on wire harness. For location in unit see remote installation page in owners manual.



- 2) Connect the male end from AC adaptor to the female end tagged "DC Supply" on wiring harness in unit.



- 3) Plug AC adaptor into 120V wall outlet (or into 120V receptacle if installed inside the gas fireplace firebox).
- 4) Neatly tuck any loose AC Power Adaptor wires neatly underneath / inside the appliance.

**Note:** Ensure that wires do not touch the underside of the firebox (keep wires away from the heat as much as possible).

### INSTALL AC ADAPTOR WITH SUREFIRE PROFLAME GT / GTM REMOTE

This method also applies for models, HZ30E - HZ40E - L390E - HZI390E

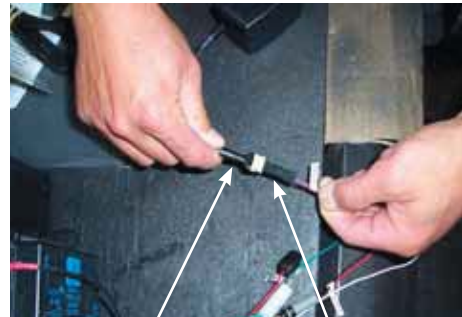
- 1) Connect the male end of the AC adaptor to the female end of the wire adaptor (supplied with AC adaptor) together as shown .



Wire adaptor

AC adaptor

- 3) Plug in wire adaptor to FCM - COM connector - be careful not to damage ends. This only fits one way. Do Not Force in wrong way.



AC adaptor wire adaptor

FCM - COM

- 2) Locate FCM - COM connector on the Remote wire harness - see manual for location in unit.



FCM - COM

- 4) Plug AC adaptor into 120V wall outlet (or into 120V receptacle if installed inside the gas fireplace firebox).
- 5) Neatly tuck any loose AC Power Adaptor wires neatly underneath / inside the appliance.

**Note:** Ensure that wires do not touch the underside of the firebox (keep wires away from the heat as much as possible).

# INSTALLATION

## Optional WALL THERMOSTAT

A wall thermostat may be installed if desired, connect the wires as per the wiring diagram. Use table below to determine the maximum wire length.

**Note:** Preferable if the thermostat is installed on an interior wall.

Regency® offers an optional programmable thermostat but any 250-750 millivolt rated non-anticipator type thermostat that is CSA, ULC or UL approved may be used.

**CAUTION**  
Do not wire millivolt wall thermostat wires to 120V wire.

| Thermostat Wire Table   |             |
|---|-------------|
| Recommended Maximum Lead Length (Two-Wire) When Using Wall Thermostat (CP-2 System) |             |
| Wire Size   | Max. Length |
| 14 GA.  | 50 Ft.      |
| 16 GA.  | 32 Ft.      |
| 18 GA.  | 20 Ft.      |
| 20 GA.  | 12 Ft.      |
| 22 GA.  | 9 Ft.       |

## Optional REMOTE CONTROL

Use the Regency® Remote Control Kit approved for this unit. Use of other systems may void your warranty.

The remote control kit comes with a hand held transmitter, a receiver and a wall mounting plate.

1) Choose a convenient location on the wall to install the receiver and the receptacle box (protection from extreme heat is very important). Run wires from the fireplace to that location. Use Thermostat Wire Table.

2) See optional remote control instruction manual for detailed instructions.

**CAUTION**  
Do not wire millivolt wall thermostat wires to 120V wire.

## WALL SWITCH

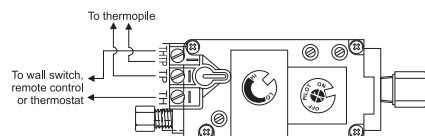
(Included with Unit)

1) Run the supplied 10' of wire through the right or left side gas inlet opening. Be careful not to damage wire.

**Note:** We recommend a maximum of 10' of wire but if you wish to go with a longer run, use the Thermostat Wire Table.

2) Connect the wire to the wall switch and install into the receptacle box. Also attach wires to the valve as shown below.

**CAUTION**  
Do not wire millivolt wall thermostat wires to 120V wire.



## GT/GTM REMOTE FEATURES

\*\*GTMF NOT OFFERED ON THE HZ42 ST

### 584 Proflame GT Series Feature Sheet

| Feature   | Icon | Proflame GT | Proflame GTM   | Proflame GTMF ** |
|---|------|-------------|----------------|------------------|
| Room Temperature Display                          |      | X           | X              | X                |
| Child Lock  |      | X           | X              | X                |
| Low Battery                                       |      | X           | X              | X                |
| On/Off Thermostat                                 |      | X           | X              | X                |
| Flame On/Off Only                                 |      | X           |                |                  |
| Flame On/Off & Modulation (6 Levels) <sup>1</sup> |      |             | X <sup>1</sup> | X <sup>1</sup>   |
| Smart Thermostat                                  |      |             | X              | X                |
| Fan Speed Control (6 Levels)                      |      |             |                | X                |
| On/Off Auxiliary Outlet (110V)                    |      |             |                | X                |
| Constant (110V) Outlet                            |      |             |                | X                |

(X) Indicates Included Feature



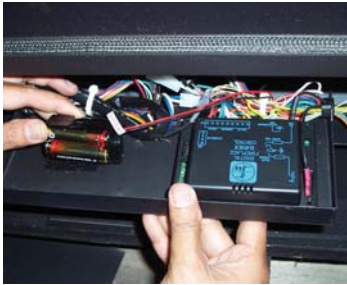
Note 1 – Proflame Flame Modulator for GTM & GTMF Remote Controls are sold separately. Choice of NG or LP flame modulator (to match unit fuel type). See Regency Retail Price pages for complete details

Note: Regency Proflame systems include a white and black wall cover & switch.

## GT REMOTE INSTALLATION

**DFBC** = digital fireplace burner control

- 1) Remove the faceplate and glass door to access to DFBC & battery pack tray.
- 2) Lift DFBC and battery pack up and out.



HZ42E

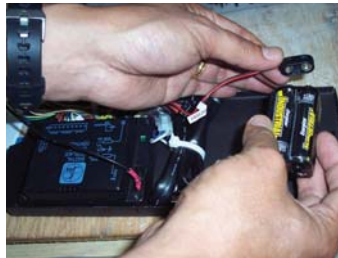


HZ42STE

- 3) Disconnect connector from battery holder and remove from tray – (battery holder is attached by Velcro to tray).



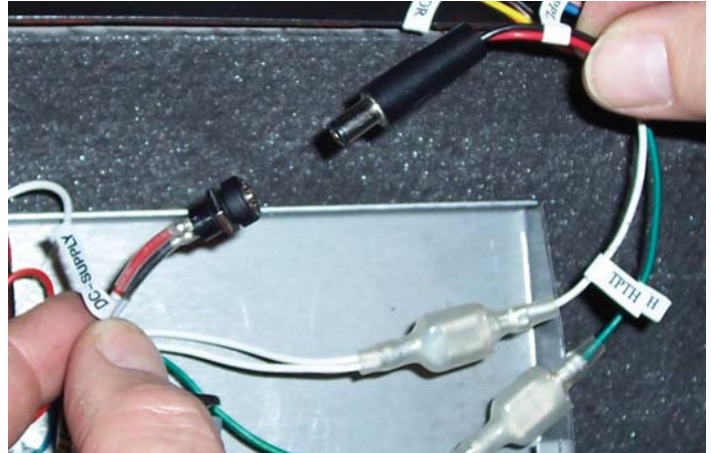
HZ42E



HZ42STE

- 4) Remove the 4 AA batteries if installed, reconnect the connector to the battery pack and put back onto Velcro strip

- 5) Locate the DFC wire from the receiver wire harness and connect to the DC supply wire from the DFBC.



**Note:** DO NOT USE 4 AA batteries in the battery pack on the tray - the DFBC is now powered by the receiver batteries in the wall.



# INSTALLATION

## GTM REMOTE INSTALLATION

DFBC = digital fireplace burner control

- 1) Remove the faceplate and glass door to access to DFBC & battery pack tray.
- 2) Lift DFBC and battery pack up and out.



HZ42E

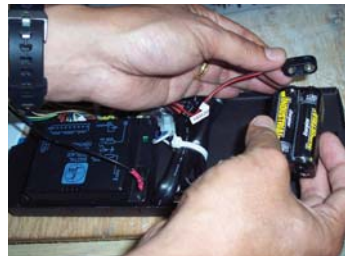


HZ42STE

- 3) Disconnect connector from battery holder and remove from tray – (battery holder is attached by Velcro to tray).

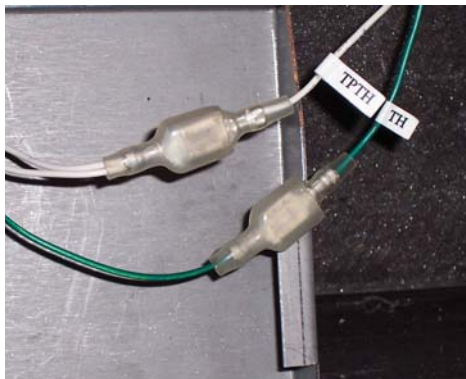


HZ42E

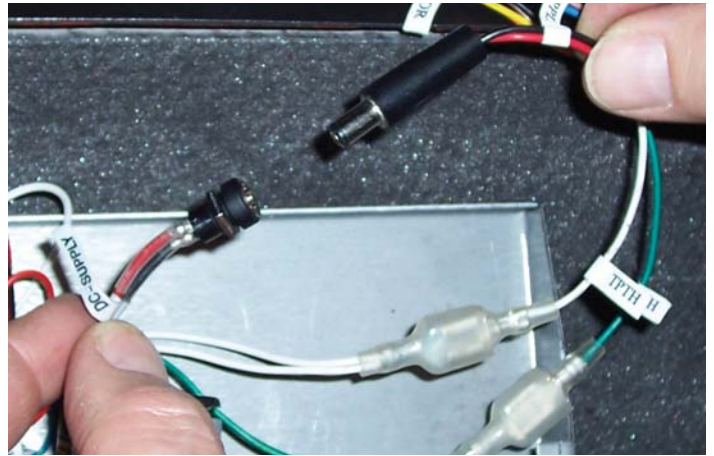


HZ42STE

- 4) Remove the 4 AA batteries if installed, reconnect the connector to the battery pack and put back onto Velcro strip
- 5) Locate the Green and White wires from the DFBC module wire harness; connect the spade connectors from the receiver wire harness, (TH) Green to (DFBC) Green and (TH/TP) White to (DFBC) White



- 6) Locate the DFC wire from the receiver wire harness and connect to the DC supply wire from the DFBC.

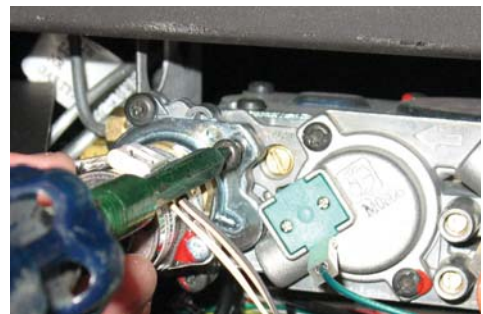


**Note:** DO NOT USE 4 AA batteries in the battery pack on the tray - the DFBC is now powered by the receiver batteries in the wall.

- 7) Remove the hi/lo knob from the valve head, if installed, by removing 2 screws as shown below. Ensure diaphragm is removed.



- 8) Install the stepper motor in the same location the hi/lo knob was removed from - with 2 screws as shown below.



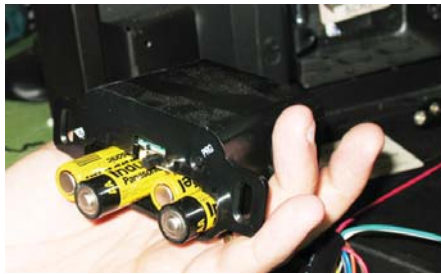
- 9) Install the ground wire to the ground lug just behind and to the left of the valve on the HZ42E and to the right of the valve on the HZ42STE.



HZ42E

HZ42STE

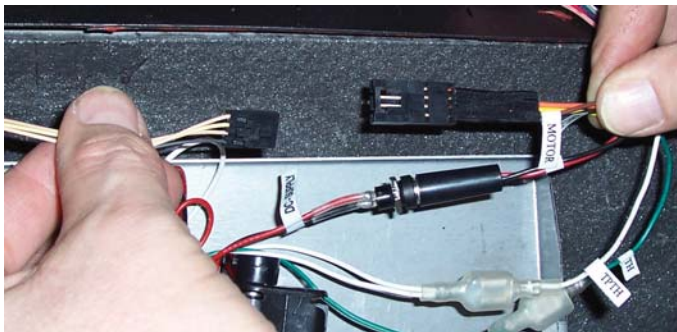
- 10) Install 4 - AA batteries into the receiver, ensure correct polarity.



- 11) Plug receiver wires into the back of the receiver and bundle wires with the wire clip as shown below.



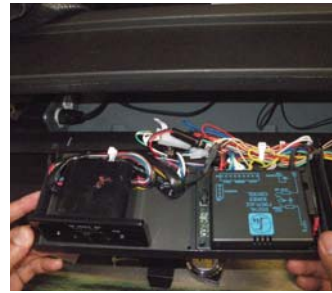
- 12) Connect GTM motor wire from the stepper motor to the wire connector from the receiver wire harness.



- 13) Program Receiver and transmitter (refer to manual)

Note: DO NOT USE 4 AA batteries in the battery pack on the tray; the DFBC is now powered by the receiver batteries in the wall.

- 14) Install the receiver in the wall or if that is not possible - to the tray.



HZ42E



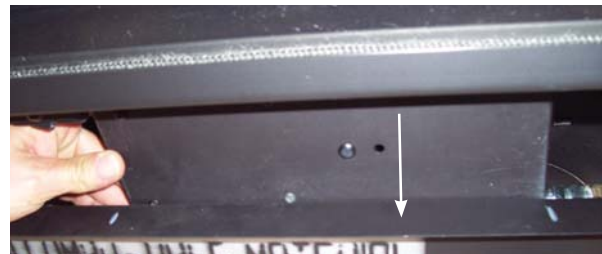
HZ42STE

- 15) **HZ42E Only:** Manoeuvre the tray into the base of the unit using the stops to guide how far back the tray sits.

- HZ42STE Only:** Manoeuvre the tray into the two L brackets on the backside of the front wall of the unit base.



HZ42E



HZ42STE

- HZ42E Only:**

- 16) Install the heat shield over the tray by slotting tabs into slots located the location shown below.





# INSTALLATION

## OPTIONAL REFLECTIVE PANEL INSTALLATION

Before installation, panels must be handled and cleaned as per instructions noted below:

| Stainless Steel Panels  | Black Enamel Panels  |
|---|--|
| <ul style="list-style-type: none"> <li>Stainless panels must be inspected for scratches and dimples prior to installation. All claims to be recorded at this time. Claims for damage after installation will not receive consideration.</li> </ul>  | <ul style="list-style-type: none"> <li>Black Enamel panels must be inspected for scratches and dimples prior to installation. All claims to be recorded at this time. Claims for damage after installation will not receive consideration.</li> </ul>  |
| <ul style="list-style-type: none"> <li>To protect the finish during installation and handling - cotton gloves <b>MUST</b> be worn at all times while handling the panels (even when</li> </ul>  |  |
| <ul style="list-style-type: none"> <li>Use a hair dryer to remove the protective coating from the panels.</li> </ul>  |  |
| <ul style="list-style-type: none"> <li>Stainless panels will discolor a little during normal operation. This is normal and should not be considered a defect.</li> </ul>  | <ul style="list-style-type: none"> <li>Black Enamel panels will discolor a little during normal operation. This is normal and should not be considered a defect.</li> </ul>  |
| <p><b>*</b> All hand and finger marks <b>MUST</b> be cleaned off with a soft cloth and a stainless steel cleaner. Most stainless steel cleaners leave a film/residue on the surface of the panels. Use an ammonia based cleaner (ie. glass cleaner) to remove this film before applying heat to the unit. <b>Failure to do this will result in burn stains on panels which you will be unable to remove.</b> Not protected by product warranty.</p> | <p><b>*</b> All hand and finger marks <b>MUST</b> be cleaned off with a soft cloth. Use an ammonia based cleaner (ie. glass cleaner) to remove any fingerprints before applying heat to the unit. <b>Failure to do this will result in burn stain on panels which you will be unable to remove.</b> Not protected by product warranty.</p> |

- Remove the faceplate and glass door if already installed - see manual for instructions.

**Note:** Only one glass door needs to be removed - not both.

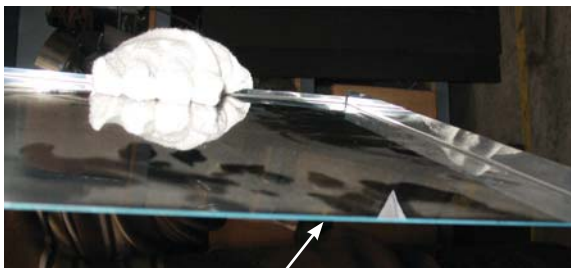
- Remove the top deflector - located on the inside top of the unit - by removing 4 screws - as shown below.



- Loosen screw securing the panel clip located in the middle of the side panel - inside the firebox. The screw is on the top inside of the firebox.

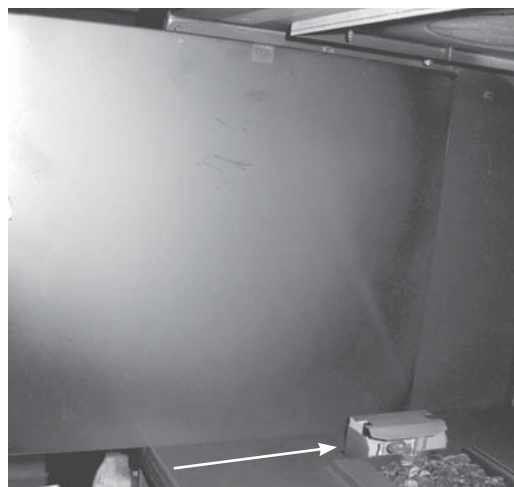


- Orient the panel with the folds facing the wall of the firebox. The thin unfolded edge should be facing down towards the floor of the firebox.



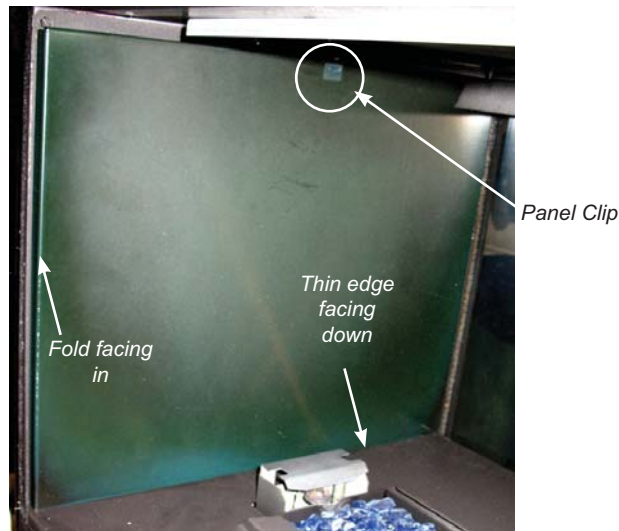
Thin edge faces downward

- Slide the panel in between the side wall of the firebox and the panel clip - adhere to all handling instructions.



- With panel in position - retighten screw to secure panel clip.

- Repeat steps 3-5 on opposite side.

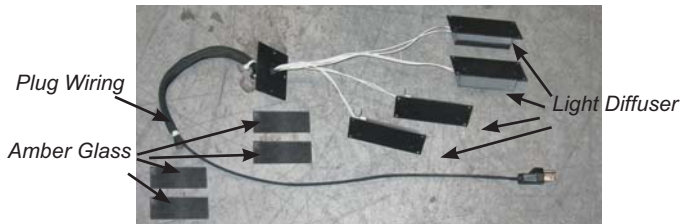


- Reverse step 2 and 1.



## OPTIONAL LIGHT INSTALLATION

| HZ42ST Accent Light Assembly Kit # 586-959 |                |                        |
|--|----------------|------------------------|
| 1  | 910-814        | Plug wiring + gasket   |
| 4  | 910-997        | Halogen Bulb           |
| 4  | 940-363        | Amber Glass            |
| 1  | Light Assembly | Includes gaskets (x 4) |
| 1  | 918-829        | Instruction Sheet      |

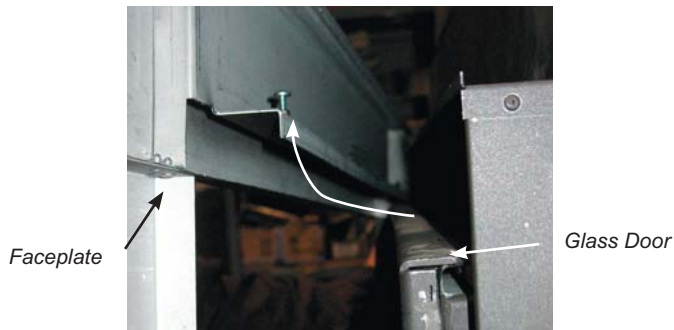


**Important:** 120 Volt AC power is required for the optional light. The receptacle box will be installed on the lower left corner of the unit and will need to be wired by a qualified electrician prior to the optional light installation. The neutral (wider) slot of the polarized receptacle should be at the top. A wall mounted switch should be installed to turn the accent lighting on/off. See wiring diagram in the instruction manual.

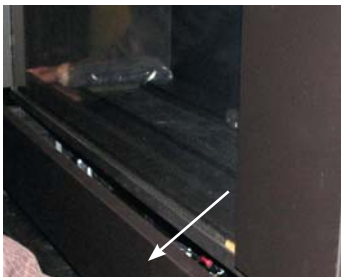
**1) Shut off electrical supply.**

If faceplate is installed - complete steps 2 & 3 below.

**2) Remove faceplate by lifting up off glass door - see below.**



**3) Slide out bottom faceplate panel - see below.**



**4) Remove the glass door - see instructions in manual.**

**5) Remove the glass crystals/optional ceramic stones or pebbles- if installed.**

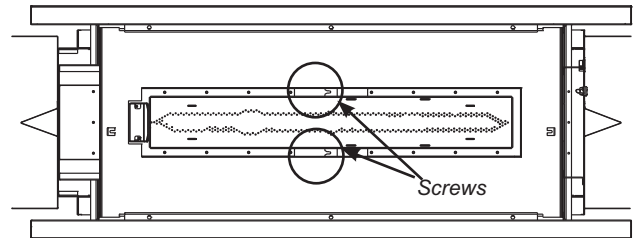
**6) Remove inner panels if installed - see instructions in manual.**

**7) Remove bottom cover**



*Bottom cover*

**8) Loosen 2 screws securing burner - slide burner away from the pilot and lift out.**



**9) Remove cover plate located in the centre of the firebox floor by removing 4 screws. Discard the cover plate and gasket - keep the screws.**

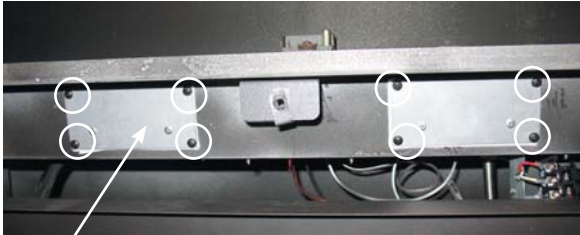


**10) Feed the plug wiring through the opening in the middle of the firebox - secure light assembly mounting plate with 4 screws (use screws from cover plate).**



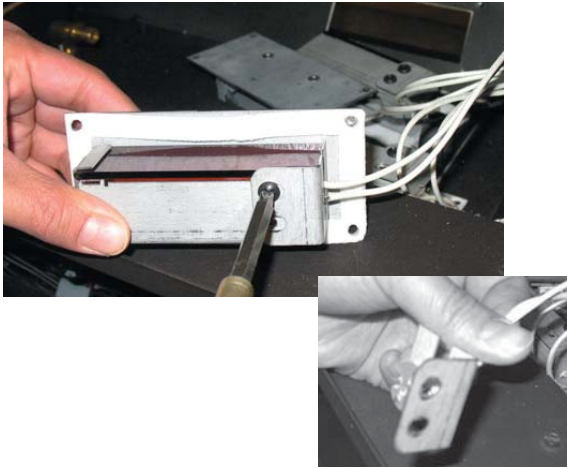
# INSTALLATION

- 11) Remove the 4 cover plates located in the lower outside front and back of the firebox by removing 4 screws from each plate. Discard the cover plates and gaskets - keep the screws.

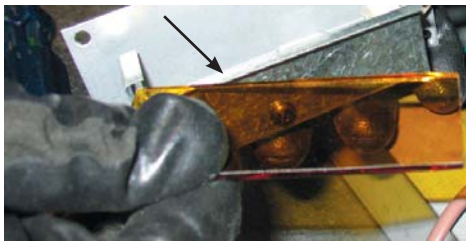


Cover Plate

- 12) Remove one screw securing the socket end of the diffuser and separate the 2 parts - as shown below.



- 13) Remove the amber glass - by sliding out.



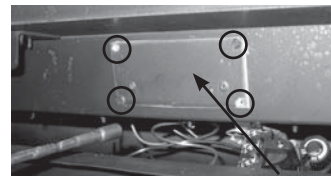
- 14) Place gasket over the inside perimeter of the light diffuser box.



- 15) **From outside the firebox** -Install light assembly box and gasket into opening created from the removal of the cover plates open end up - as shown below.



- 16) Secure the light diffuser in place with the 4 screws set aside from the cover plates.



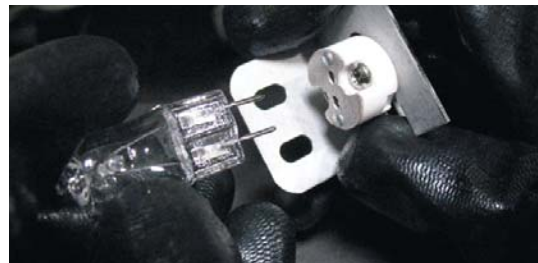
Screws secured from outside the firebox.

- 17) Slide amber glass into light diffuser to reinstall.



- 18) Install bulb into socket end of assembly.

**Note:** Oils from hands will shorten the life of the bulbs, do not handle bulbs with bare hands.



- 19) Install socket and bulb into light diffuser as shown below.

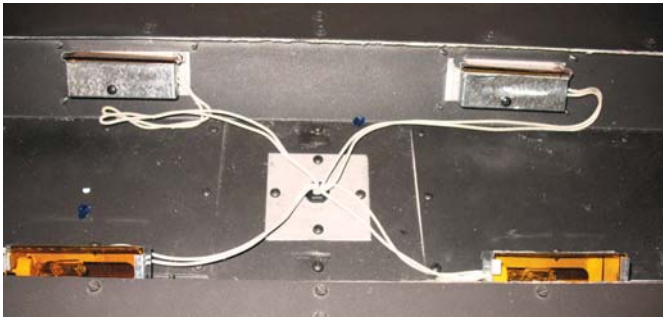




- 20) Secure socket to light diffuser with one screw - as shown below.

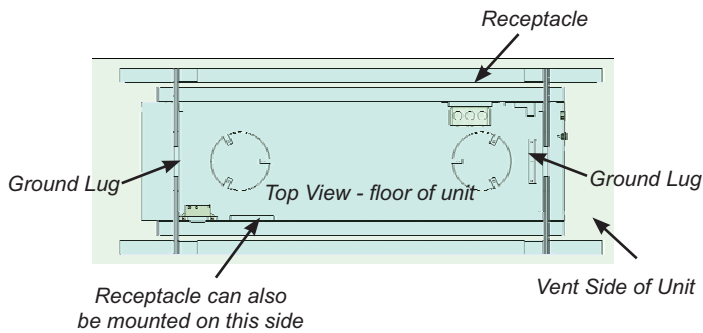


- 21) Repeat steps 12-20 to install the 3 remaining light diffusers .  
 22) After all light diffusers are installed - manage wiring so that it is neatly arranged and out of the way - as shown below.



- 23) Attach ground wire to ground lug - and plug in light assembly.

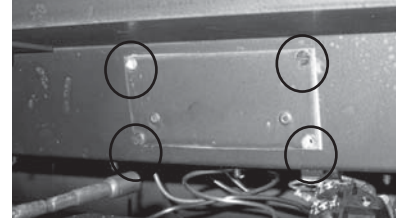
Note: The receptacle can be mounted in 2 locations in the firebox. (see below)



- 24) Reconnect electrical supply - test lights.  
 25) Reverse steps 8 -2.

## BULB REPLACEMENT

- 1) Slide out bottom faceplate panel - see step 3 from previous page.  
 2) Remove 4 screws securing light diffuser mounting plate.



- 3) Pull out light diffuser.



- 4) Remove one screw securing the socket end of the diffuser and separate the 2 parts - as shown below.



- 5) Replace bulb.

**Note:** Oils from hands will shorten the life of the bulbs, do not handle bulbs with bare hands.



- 6) Reverse steps 3 through 1.

## GLASS CRYSTALS OR OPTIONAL STONES INSTALLATION

Only the supplied approved Glass Crystals and Stones are to be used with these fireplaces. Use of any other type of glass crystals or stones can alter the unit's performance, any damage caused by the use of any unapproved glass or stones will not be covered under warranty. When using Ceramic Spa/Volcanic Stones **DO NOT** cover burner ports or pilot light that lead to pilot flame.

| BURNER PACKAGES        |                                       |   |
|------------------------|---------------------------------------|---|
| Unit                   | *Glass Crystals                       | Stones - Spa / Ceramic / Volcanic   |
| E18                    | 5lbs                                  | 5lb Glass + 70 spa stones or 1 Box Volcanic stones  |
| GF900C (AUS)           | 10lbs (2lbs burner + 8lbs firebox)    | 10 lb Glass + 32 Volcanic Stones  |
| HZ54E                  | 3 lbs                                 | 1 lb Glass + 2 packages (140 Spa Stones)<br>2 lb Glass + 35 Ceramic Stones or 2 lb Glass + 40 Volcanic Stones |
| HZ42 / HZ42E           | 2 lbs                                 | 1 lb Glass + 1 package (70 Spa Stones)  |
| HZ42ST / HZ42STE       | 2 lbs                                 | 1 lb Glass + 1 package (70 Spa Stones)  |
| HZ30E **               | 1 lb                                  | 1 lb Glass + 1 package (70 Spa Stones)** / 1 lb Glass + 30 Volcanic Stones<br>1 lb Glass + 24 Ceramic Stones  |
| HZ40E                  | 2lbs                                  | 1.5 lb Glass + 30 Ceramic Stones or 1.5 lb Glass + 25 Volcanic Stones   |
| HZ33CE                 | 4lbs                                  | 4 lb Glass + 1 package (70 Spa stones) 4 lb Glass + 20 Volcanic Stones<br>4 lb Glass + 16 Ceramic Stones      |
| HZI234E ***            | 3/4 lb                                | 3/4 lb Glass + 1 package 70 Spa Stones***   |
| HZI390EB / HZI390PB    | 7 lbs [4 lbs burner + 3 lbs firebox]  | 2 lb Glass + 1 package (70 Spa Stones)  |
| HZI540EB<br>HZI540PB   | 10 lbs [5 lbs burner + 5 lbs firebox] | 10 lb Glass + 1 package (70 Spa Stones) / 2 lb Glass + 40 Volcanic Stones<br>2 lb Glass + 30 Ceramic Stones   |
| HZO42/HZO42 (AUS)      | 3 lbs                                 | 3 lb Glass + 35 Volcanic stones   |
| HZO42 (AUS)            | 3 lbs                                 | 3 lb Glass + 50 Garden Stones   |
| HZ965                  | 12 lbs                                | 2 package Spa Stones = (140 spa stones)   |
| PTO28CIT               | 5 lbs                                 | 5 lb Glass + 14 Volcanic Stones (Recommended)   |
| PTO28 Burner Only      | 6 lbs                                 | 6 lb glass + 14 Volcanic Stones (Recommended)   |
| PTO30 / Plateau Series | 10 lbs                                | 1 Box Volcanic Stones   |
| PTO60                  | 20 lbs                                | 2 Boxes Volcanic Stones   |

**NOTE:** \* Glass Crystals are not supplied with the unit. Must purchase separately - see quantities above.  
Glass Crystals are available in 1lb and 5lb bags.  
Note: 1 Spa stone package contains 70 stones.  
\*\* Recommended - use only 40 of the 70 spa stones on the **HZ30E** burner.  
\*\*\* Recommended - use only 24 of the 70 spa stones on the **HZI234E** burner.

### OPTIONAL PEBBLES / GLASS CRYSTAL INSTALLATION FOR FIREBOX BASE (AROUND BURNER)

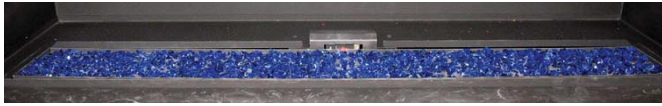
There are 2 optional packages to choose from to cover the firebox base:

- 1) Natural River Pebbles
- 2) Glass Crystals (4 colors available)

Spread the pebbles / crystals evenly on the exposed base of the firebox. Pebbles are **NOT** to be placed anywhere on the burner or over top of the Glass Crystals or optional Stones.

**IMPORTANT NOTE:** Only the supplied and approved pebbles / glass crystals are to be used with these fireplaces. Use of any other type of pebbles, glass crystals or other material can create a danger and will void the warranty.

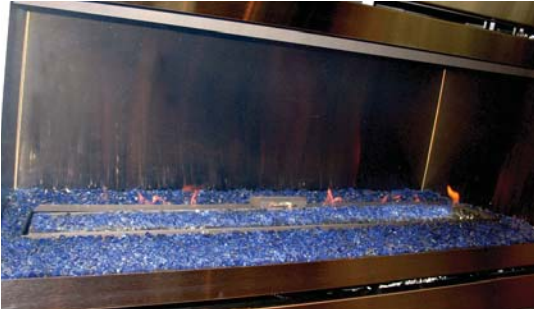
| Firebox (Around Burner) Packages |                |                                   |
|----------------------------------|----------------|-----------------------------------|
| Unit                             | Glass Crystals | Pebbles                           |
| HZ54E / HZ54EPV                  | 6 lbs          | 2 packages (6 x bags pebbles)     |
| HZ42 / HZ42E / HZ40E             | 5 lbs          | 2 packages (6 x bags pebbles)     |
| HZ42ST / HZ42STE / HZ42STEPV     | 5 lbs          | 2 package (6 x bags pebbles)      |
| HZ30E                            | 2 lbs          | 1 package (3 x bags pebbles)      |
| HZI540E                          | 3 lbs          | 1-2/3 packages (5 x bags pebbles) |
| HZI390E / HZI390PB               | 3 lbs          | 1 package (3 x bags pebbles)      |
| HZI234E                          | 2 lbs          | 1 package (3 x bags pebbles)      |
| HZO42 / HZO42 (AUS)              | 3 lbs          | 1 package (3 x bags pebbles)      |



*Glass Crystals shown on Burner  
For Units HZ54E, , HZ42ST, HZ42STE, HZI234E, HZ42E, HZ42,  
HZ30E,  
HZO42, HZO42 (AUS) PTO30, PTO60, Plateau Series*



*Optional Spa Stones + Glass Crystals shown on burner.  
For Units HZ54E, HZ42ST, HZ42STE, HZI234E, HZ42, HZ42E,  
HZ30E*



*Glass Crystals shown surrounding the Burner*



*Natural River Pebbles shown surrounding the a Horizon Burner*



*Glass Crystals shown on Burner and Firebox Floor  
For Units HZI390E, HZI540E*



*DO NOT block pilot area with glass crystals*



## OPTIONAL LOG SET INSTALLATION

Read the instructions below carefully and refer to the images. If the logs are broken do not use the unit until they are replaced. Broken logs can interfere with pilot operation.

Improper positioning of the logs and lava embers may create carbon build-up and can alter the unit's performance which is not covered under warranty.

\*Satin paint is included if touch ups are required.

|   |                                 |
|---|---------------------------------|
| 1 | Front Left Log (front side)     |
| 2 | Front Left Log (back side)      |
| 3 | Cross Log (front side)          |
| 4 | Cross Log with 'Y' (front side) |
| 5 | Cross Log (back side)           |
| 6 | Cross Log with 'Y' (back side)  |
| 7 | Log piece (front side)          |
| 8 | Log piece (back side)           |
|   | Lava Embers / Rocks             |



Diagram 1

1. Shut off gas and electrical supply, allow unit to cool to room temperature.
2. Remove both faceplates and flush glass doors (see unit manual).
3. Carefully remove the logs from the packaging and unwrap them. The logs are fragile, handle with care - never force into position.
4. Ensure glass crystals are installed on the burner.  
HZ42STE = 2lbs
5. Locate and install paper templates on both sides of firebox base as shown below.

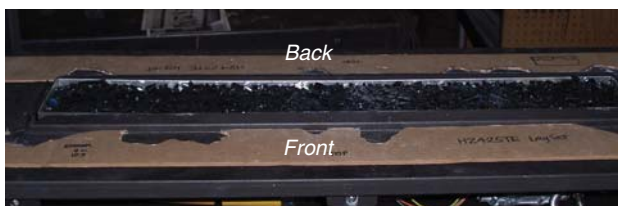


Diagram 2

Front and back paper templates in position

Logs installed on one side of the unit are mirrored on the opposite side and therefore installed in the exact same manner. Below is an overview of the completed install.



Diagram 3

6. Install Log 1 on the far left side of the front of the unit - use the template to determine position of Log . Repeat on the back side of the unit with Log 2.



Diagram 4

7. Assemble Logs 3 + 4 as shown below. Match up pin landing on Log 3 with pin on Log 4. The other part of the 'Y' of Log 4 should rest on the notch in Log 3 as shown below.

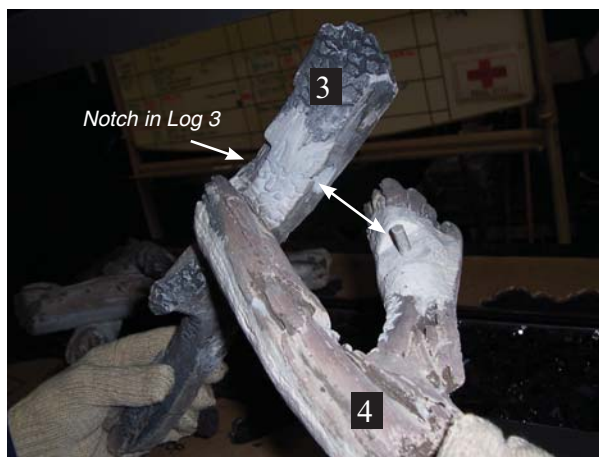


Diagram 5

8. Install on burner, use template to determine the final position



Diagram 6

9. Repeat the procedures in Steps 7 and 8 to assemble and install Logs 5 + 6 on the other side of the unit

10. Install Log 7 - line up pin locator with pin on Log 3 as shown below. Line up other end of Log 7 with template.

11. Install Log 8 - line up pin locator with pin on Log 5. Line up other end of Log 8 with template.



Diagram 7

12. Place lava embers/rocks on glass - ensure rocks do not block pilot. Do not place lava rocks/embers too close to logs as this may cause carboning.
13. Carefully remove paper templates.
14. Adjust aeration, see unit manual for setting.
15. Reverse Steps 2 and 1.



HZ42STE - Final Install  
Diagram 8



## GLASS DOOR INSTALLATION

The glass door comes with a black frame.

1) To install the frame and glass door, simply hook the top door flange onto the top of the unit and swing the door towards the unit, Diagram 1.

**Note:** Be careful that the glass gasket does not roll up; there must be a gap between the gasket and the door lip to ensure that the door sits securely on the unit. See Diagram 2.

2) With the door in proper position - secure with 3 screws in locations shown in Diagram 3.

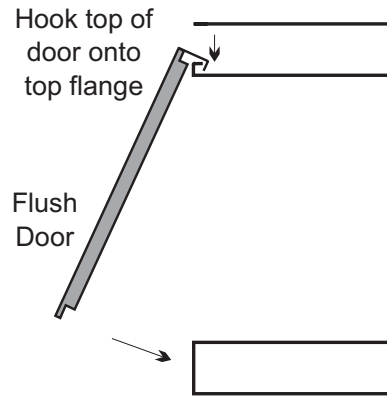
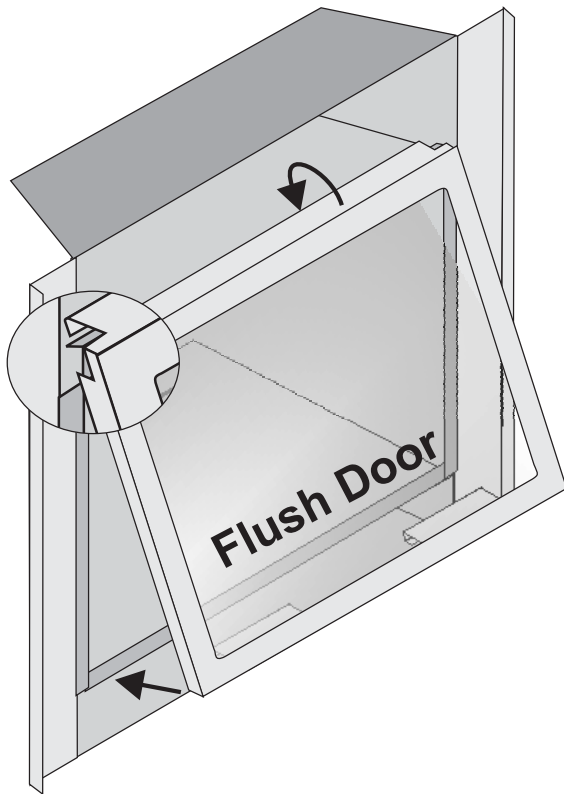


Diagram 1

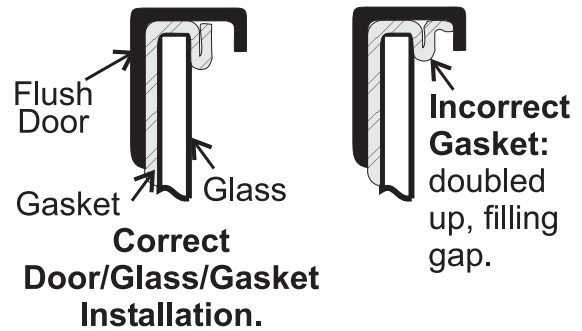


Diagram 2

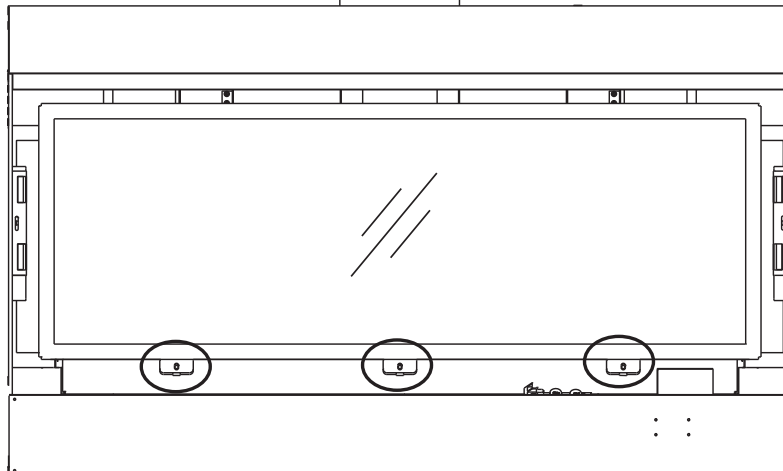
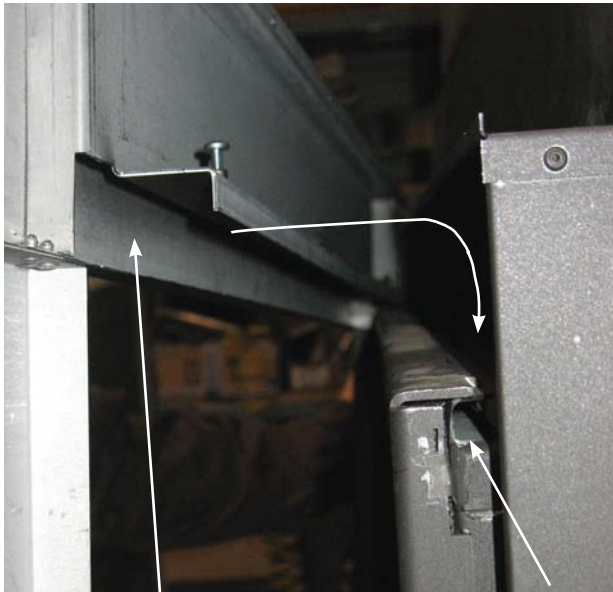


Diagram 3

## FACEPLATE INSTALLATION

- 1) Hook the flange on the back of the faceplate over the top edge of the glass door - as shown below.



Faceplate

Glass Door

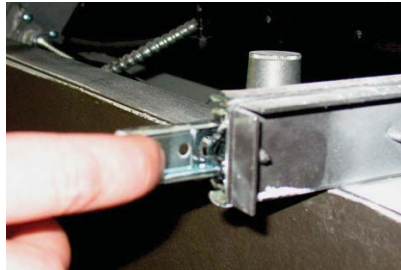
- 2) The height at which the faceplate sits may be adjusted to maintain an even space between the upper faceplate and lower faceplate panel.

The upper faceplate can be raised up once the lower faceplate panel is in position - by adjusting the 2 screws at the back of the upper faceplate - see below (requires an extended phillips head screw driver)

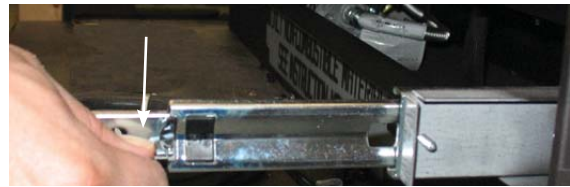


The bottom panel of the faceplate installs on the unit with 2 slides. These slides are located in the bottom of the unit - already installed within the outer slide. The inner slides need to be removed to install them on the brackets.

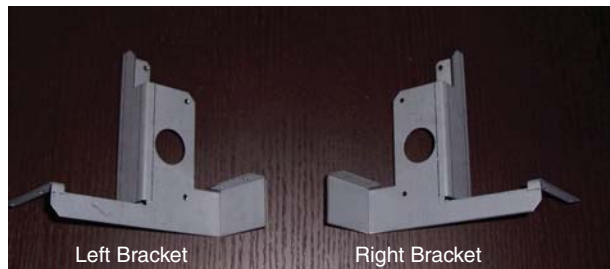
- 3) Pull out inner slide from the outer slide.



- 4) Push down on the black lever on the outside of the inner slide - this will release the inner slide. Pull inner slide completely out - from outer slide.

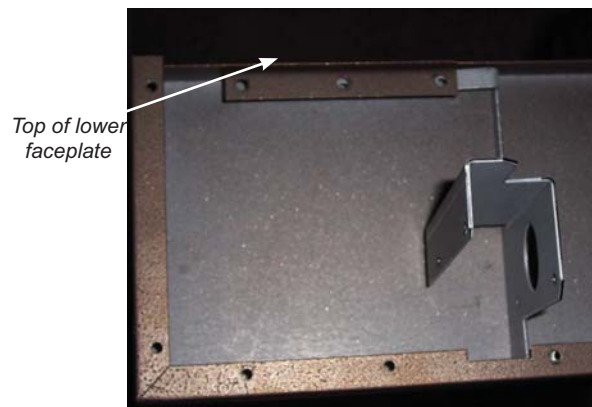


- 5) Lay out the brackets for the lower faceplate to identify the left and right brackets.



- 6) Install the brackets onto the lower faceplate.

**Note:** Installation location of the left and right brackets is the same for both the HZ42 and HZ42ST.

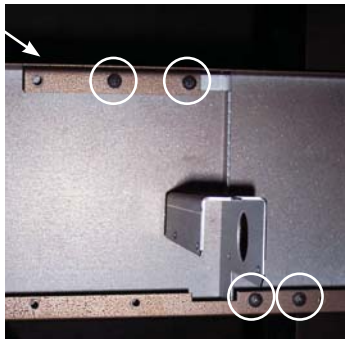


Right bracket shown in position on lower faceplate.

# INSTALLATION

7) Secure each bracket with 4 screws in locations shown below.

Top of lower faceplate

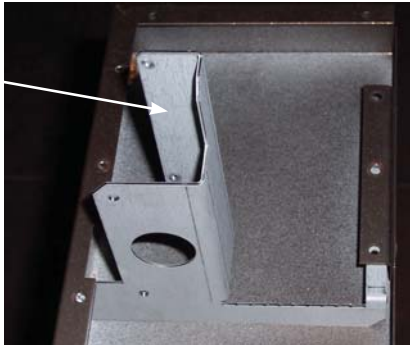


Screw locations.

8) Install the inner slide removed from Step 4 to the bracket.

**Note:** Installation locations of the slide are different for the HZ42 and HZ42ST - read instructions carefully.

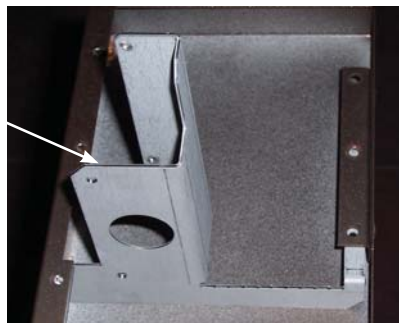
**HZ42** - install slider on this side of the bracket.



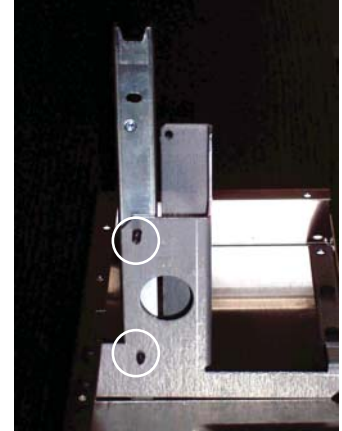
**HZ42** - Install slider with flat side facing outward -secure with 2 screws in locations shown.



**HZ42ST** - install slider on this side of the bracket.



**HZ42ST** - install slider with flat side facing inwards -secure with 2 screws in locations shown.



10) With brackets and inner slides attached to the lower faceplate panel - guide the lower faceplate panel into the outer slides located in the bottom part of the unit. See inset. Push in until flush with upper faceplate.



To adjust the space between the upper faceplate and the lower faceplate panel - see step 2.

11) Final installation of faceplate on HZ42 unit



**Note:** Two faceplates need to be installed on the HZ42 ST unit.

## OPERATING INSTRUCTIONS

- 1) Read and understand these instructions before operating this appliance.
- 2) Check to see that all wiring is correct and enclosed to prevent possible shock.
- 3) Check to ensure there are no gas leaks.
- 4) Make sure the glass in the glass door frame is properly positioned. Never operate the appliance with the glass removed.
- 5) Verify that the venting and cap are unobstructed.
- 6) The unit should never be turned off, and on again without a minimum of a 60 second wait.

## FIRST FIRE

The **FIRST FIRE** in your heater is part of the paint curing process. To ensure the paint is properly cured, it is recommended you burn your fireplace for at least four (4) hours the first time.

When first operated, the unit will release an odour caused by the curing of the paint and the burning off of any oils remaining from manufacturing. Smoke detectors in the house may go off at this time. Open a few windows to ventilate the room for a couple of hours. The glass may require cleaning.

**NOTE:** When the glass is cold and the appliance is lit, it may cause condensation and fog the glass. This condensation is normal and will disappear in a few minutes as the glass heats up.

**DO NOT ATTEMPT TO CLEAN THE GLASS WHILE IT IS STILL HOT!**

**DO NOT BURN THE UNIT WITHOUT THE GLASS DOOR IN PLACE.**

During the first few fires, a white film may develop on the glass front as part of the curing process. The glass should be cleaned after the unit has cooled down or the film will bake on and become very difficult to remove. Use a non-abrasive cleaner and **DO NOT ATTEMPT TO CLEAN THE GLASS WHILE IT IS HOT.**

## LIGHTING PROCEDURE

### IMPORTANT

**To ignite or reignite the pilot, you must first remove the glass door.**

- 1) Press and release on ON/OFF button once on the remote control or ON/OFF switch.
- 2) After approximately 4 seconds the spark ignition system will spark for 60 seconds to light the main burner.
- 3) The unit will turn on.

**Note:** The first try for ignition will last approximately 60 seconds. If there is no flame ignition (rectification) the board will stop sparking for approximately 35 seconds. After wait time, the board will start second try for ignition by sparking for approximately 60 seconds. If there is still no positive ignition the board will go into lock out.

The system will need to be reset as follows:

- a) Turn the system off using ON/OFF switch or press ON/OFF button - if using optional remote.
- b) After approximately 2 seconds turn on ON/OFF switch or press ON/OFF button if using optional remote.
- c) Repeat step 2.

## SHUTDOWN PROCEDURE

- 1) Turn the wall mounted switch or remote to the "OFF" position.
- 2) Press "OFF" on the remote control.
- 3) Turn the gas control knob to the "OFF" position to turn off the pilot.

## NORMAL OPERATING SOUNDS OF GAS APPLIANCES

It is possible that you will hear some sounds from your gas appliance. This is perfectly normal due to the fact that there are various gauges and types of steel used within your appliance. Listed below are some examples. All are **normal operating sounds** and should not be considered as defects in your appliance.

### Burner Tray:

The burner tray is positioned directly under the burner and is made of a different gauge material from the rest of the firebox and body. Therefore, the varying thicknesses of steel will expand and contract at slightly different rates which can cause "ticking" and "cracking" sounds. You should also be aware that as there are temperature changes within the unit these sounds will likely re-occur. Again, this is normal for steel fireboxes.

### Pilot Flame:

While the pilot flame is on it can make a very slight "whisper" sound.

### Gas Control Valve:

As the gas control valve turns ON and OFF, a dull clicking sound may be audible, this is normal operation of a gas regulator or valve.

### Unit Body/Firebox:

Different types and thicknesses of steel will expand and contract at different rates resulting in some "cracking" and "ticking" sounds will be heard throughout the cycling process.



## COPY OF LIGHTING PLATE INSTRUCTIONS

### FOR YOUR SAFETY READ BEFORE LIGHTING

This appliance must be installed in accordance with local codes, if any; if none, follow the National Fuel Gas Code, ANSI Z223.1/NFPA 54, or Natural Gas and Propane Installation Codes, CSA B149.1.

**WARNING:** If you do not follow these instructions exactly, a fire or explosion may result causing property damage, personal injury or loss of life. Improper installation, adjustment, alteration, service or maintenance can cause injury or property damage. Refer to the owner's information manual provided with this appliance. For assistance or additional information consult a qualified installer, service agency or gas supplier.

**AVERTISSEMENT:** Quiconque ne respecte pas à la lettre les instructions dans la présente notice risquerait de déclencher un incendie ou une explosion entraînant des dommages, des blessures ou la mort.

**Une installation, d'ajustement, de modification, de service ou d'entretien peut provoquer des blessures ou des dommages matériels. Reportez-vous au manuel du propriétaire de l'information fournie avec cet appareil. Pour obtenir de l'aide ou des informations supplémentaires consulter un installateur qualifié, une agence de service ou fournisseur de gaz.**

A) This appliance is equipped with an ignition device which automatically lights the pilot. Do not try to light the pilot by hand.

B) **BEFORE OPERATING** smell all around the appliance area for gas. Be sure to smell next to the floor because some gas is heavier than air and will settle on the floor.

#### WHAT TO DO IF YOU SMELL GAS

- Do not try to light any appliance.
- Do not touch any electric switch, do not use any phone in your building.
- Immediately call your gas supplier from a neighbour's phone. Follow the gas supplier's instructions.
- If you cannot reach your gas supplier, call the fire department.

C) Do not use this appliance if any part has been under water. Immediately call a qualified service technician to inspect the appliance and replace any part of the control system and any gas control which has been underwater.

A) Cet appareil est muni d'un dispositif d'allumage qui allume automatiquement la veilleuse. Ne tentez pas d'allumer la veilleuse manuellement.

B) **AVANT DE FAIRE FONCTIONNER**, reniflez tout autour de l'appareil pour déceler une odeur de gaz. Reniflez près du plancher, car certains gaz sont plus lourds que l'air et peuvent s'accumuler au niveau du sol.

#### QUE FAIRE SI VOUS SENTEZ UNE ODEUR DE GAZ :

- Ne pas tenter d'allumer d'appareil
- Ne touchez à aucun interrupteur; ne pas vous servir des téléphones se trouvant dans le bâtiment.
- Appelez immédiatement votre fournisseur de gaz depuis un voisin. Suivez les instructions du fournisseur.
- Si vous ne pouvez rejoindre le fournisseur, appelez le service des incendies

C) N'utilisez pas cet appareil s'il a été plongé dans l'eau, même partiellement. Faites inspecter l'appareil par un technicien qualifié et remplacez toute partie du système de contrôle et toute commande qui ont été plongés dans l'eau.

**CAUTION: Hot while in operation. Do not touch. Severe Burns may result. Due to high surface temperatures keep children, clothing and furniture, gasoline and other liquids having flammable vapors away. Keep burner and control compartment clean. See installation and operating instructions accompanying appliance.**

### LIGHTING INSTRUCTIONS

- 1) Turn on ON/OFF switch
- 2) After approximately 4 seconds the spark ignition system will spark for 60 seconds to light the main burner.
- 3) The unit will turn on.

**Note:** The first attempt to ignition will last approximately 60 seconds. If there is no flame ignition (rectification) the board will stop sparking for approximately 35 seconds. After this wait time, the board will start a second try for ignition by sparking for approximately 60 seconds. If there is still no positive ignition after the second attempt the board will go into lock out.

The system will need to be reset as follows (after going into lock out mode):

- a) Wait 5 minutes - turn the system off using ON/OFF switch.
- b) After approximately 2 seconds turn on ON/OFF switch or press ON/OFF button if using optional remote.
- c) Unit will repeat step 2.

- 1) Appuyez le bouton ON / OFF
- 2) Attendre 4 secondes. Le système d'allumage produira des étincelles pendant 60 secondes afin d'amorcer le brûleur principal.
- 3) Les flammes s'allumeront.

**Remarque :** Au premier allumage, le système tente d'allumer les flammes pendant 60 secondes. Si l'essai est infructueux, le système fait une pause de 35 secondes. C'est ce qu'on appelle l'étape de rectification. Ce délai écoulé, le système tente à nouveau d'allumer les flammes en produisant des étincelles pendant 60 secondes. Si les flammes ne s'allument toujours pas, le système se met en mode verrouillage.

Il faut alors le réinitialiser en suivant les étapes ci-dessous (pour le déverrouiller) :

- a) Attendre 5 minutes et éteindre l'appareil en réglant l'interrupteur à la position « OFF »;
- b) Attendre 2 secondes et rallumer le système à l'aide de l'interrupteur ou de la télécommande.
- c) L'unité répétera l'étape 2.

### TO TURN OFF GAS APPLIANCE

- 1) Turn off ON/OFF switch
  - 2) If service is to be performed - you must disconnect power to the unit, from the battery pack, refer to manual.
- 1) Appuyez sur le bouton ON / OFF
  - 2) Si le service est effectuée, vous devez débrancher l'appareil, du bloc-piles, voir le manuel d'instruction pour plus de détails.

**DO NOT REMOVE THIS INSTRUCTION PLATE**

918-628b

## MAINTENANCE INSTRUCTIONS

- 1) Always turn off the gas valve before cleaning. For relighting, refer to lighting instructions. Keep the burner and control compartment clean by brushing and vacuuming at least once a year.
  - 2) Clean appliance and door with a damp cloth (never when unit is hot). Never use an abrasive cleaner. The glass should be cleaned with a gas fireplace glass cleaner. **The glass should be cleaned when it starts looking cloudy.**
  - 3) The faceplate is finished in a heat resistant paint and should only be refinished with heat resistant paint. Regency® uses StoveBright Paint - Metallic Black #6309.
- Note: Faceplates and inner panels made from stainless steel will naturally change color over time.**
- 4) Make a periodic check of burner for proper position and condition. Visually check the flame of the burner periodically, making sure the flames are steady; not lifting or floating. If there is a problem, call a qualified service person.
  - 5) The appliance and venting system must be inspected before use, and at least annually, by a qualified field service person, to ensure that the flow of combustion and ventilation air is not obstructed.

**Note: Never operate the appliance without the glass properly secured in place.**

- 6) Do not use this appliance if any part has been under water. Immediately call a qualified service technician to inspect the appliance and to replace any part of the control system and any gas control which has been under water.
- 7) In the event this appliance has been serviced check that the vent-air system has been properly resealed & reinstalled in accordance with the manufacturer's instructions.
- 8) Verify operation after servicing.

## GENERAL VENT MAINTENANCE

Conduct an inspection of the venting system semi-annually. Recommended areas to inspect as follows:

- 1) Check the Venting System for corrosion in areas that are exposed to the elements. These will appear as rust spots or streaks, and in extreme cases, holes. These components should be replaced immediately.
- 2) Remove the Cap, and shine a flashlight down the Vent. Remove any bird nests, or other foreign material.
- 3) Check for evidences of excessive condensation, such as water droplets forming in the inner liner, and subsequently dripping out the joints. Continuous condensation can cause corrosion of caps, pipe, and fittings. It may be caused by having excessive lateral runs, too many elbows, and exterior portions of the system being exposed to cold weather.
- 4) Inspect joints, to verify that no pipe sections or fittings have been disturbed, and consequently loosened. Also check mechanical supports such as Wall Straps, or plumbers' tape for rigidity.

## GLASS GASKET

If the glass gasket requires replacement use a tadpole glass gasket (Part # 936-159).

## GLASS DOOR

Your Regency® fireplace is supplied with high temperature 5mm-Ceramic glass. If your glass requires cleaning, we recommend using an approved glass cleaner available at all authorized dealers. Do not use abrasive materials.

### CAUTION & WARNINGS:

- \* Do not clean when the glass is hot.
- \* The use of substitute glass will void all product warranties.
- \* Care must be taken to avoid breakage of the glass.
- \* Do not strike or abuse the glass.
- \* Do not operate this fireplace without the glass front or with a cracked or broken glass front.
- \* Wear gloves when removing damaged or broken glass.
- \* Replacement of the glass panel(s) should be done by a licensed or qualified service person.

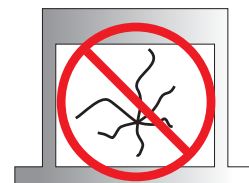
### GLASS REPLACEMENT

In the event that you break your glass by impact, purchase your replacement from an authorized Regency® dealer only.

Replacement neo ceramic glass is shipped with gasket installed.

**CAUTION: Wear gloves when removing damaged or broken glass.**

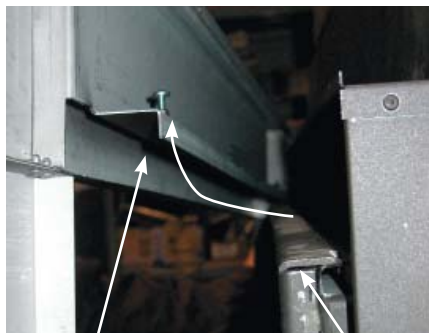
**WARNING: Do not operate the appliance with the glass panels removed, cracked or broken. Replacement of the glass panels should be done by a licensed or qualified service person.**



# MAINTENANCE

## GLASS DOOR REMOVAL

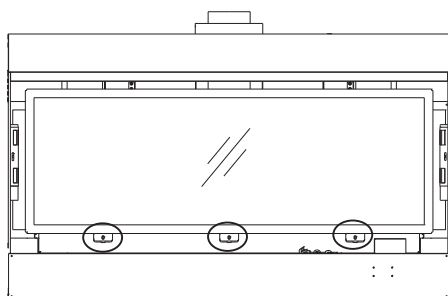
- 1) Turn the unit off and allow it to cool down to room temperature.
- 2) Turn off the gas supply to the unit.
- 3) Remove the faceplate by lifting it up off the glass door.



*Faceplate*

*Glass Door*

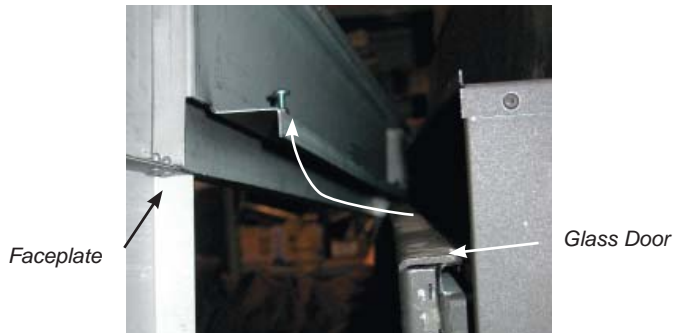
- 4) Remove the glass door - see manual for detailed instructions.
  - a) Remove the 3 screws shown below at the bottom of the glass door.
  - b) Swing the door out 45° from the bottom and lift up and out.



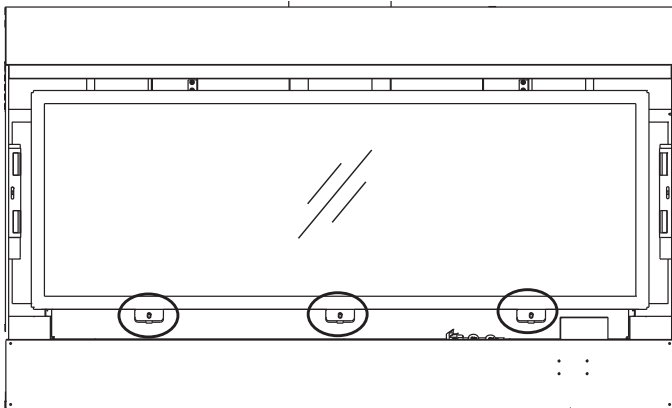


## VALVE TRAY REPLACEMENT

- 1) Turn the unit off and allow it to cool down to room temperature.
- 2) Turn off the gas and power supply to the unit.
- 3) Remove the faceplate by lifting it up off the glass door.



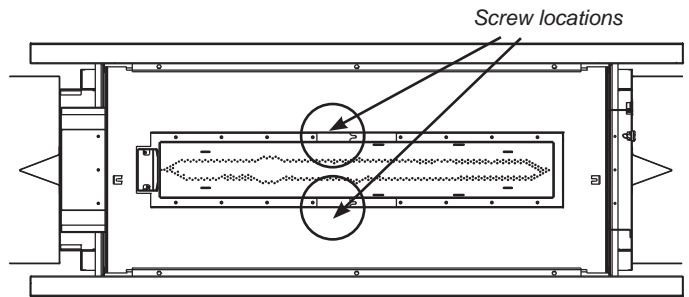
- 4) Remove the glass door.
  - a) Remove the 3 screws shown below at the bottom of the glass door.
  - b) Swing the door out 45° from the bottom and lift up and out.



- 5) Remove bottom cover by lifting up and out.



- 6) Remove burner by removing 2 screws.

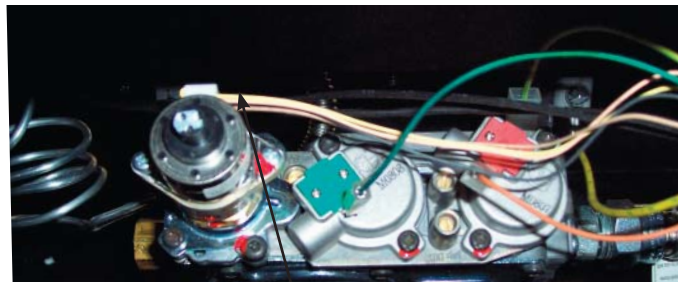


Aerial View of the burner shown.

- 7) Slide burner away from the pilot and lift out.

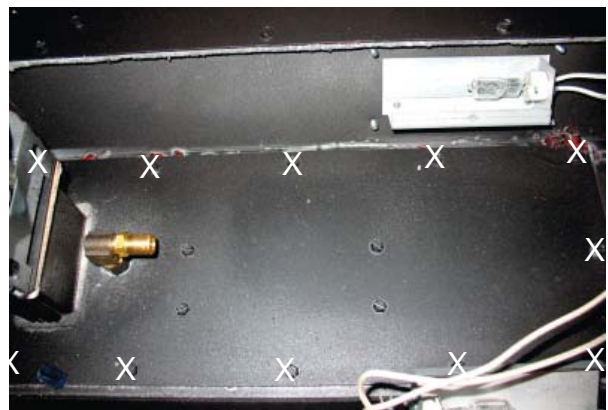


- 8) Disconnect the ON/OFF connector wires from the valve.



ON/OFF Connector Wires

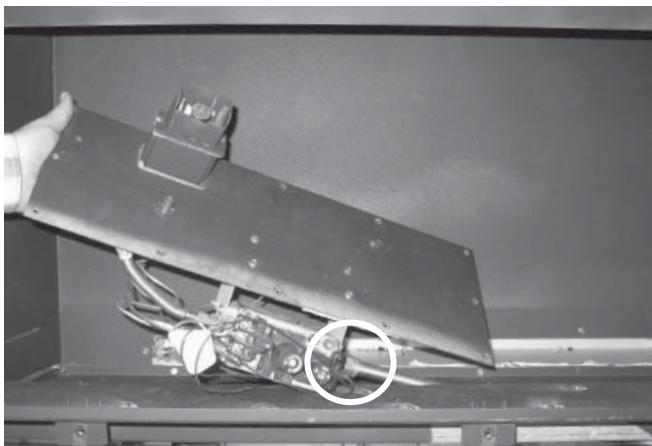
- 9) Remove the valve assembly by undoing 12 screws.



## MAINTENANCE

---

10) Partially lift out valve tray.

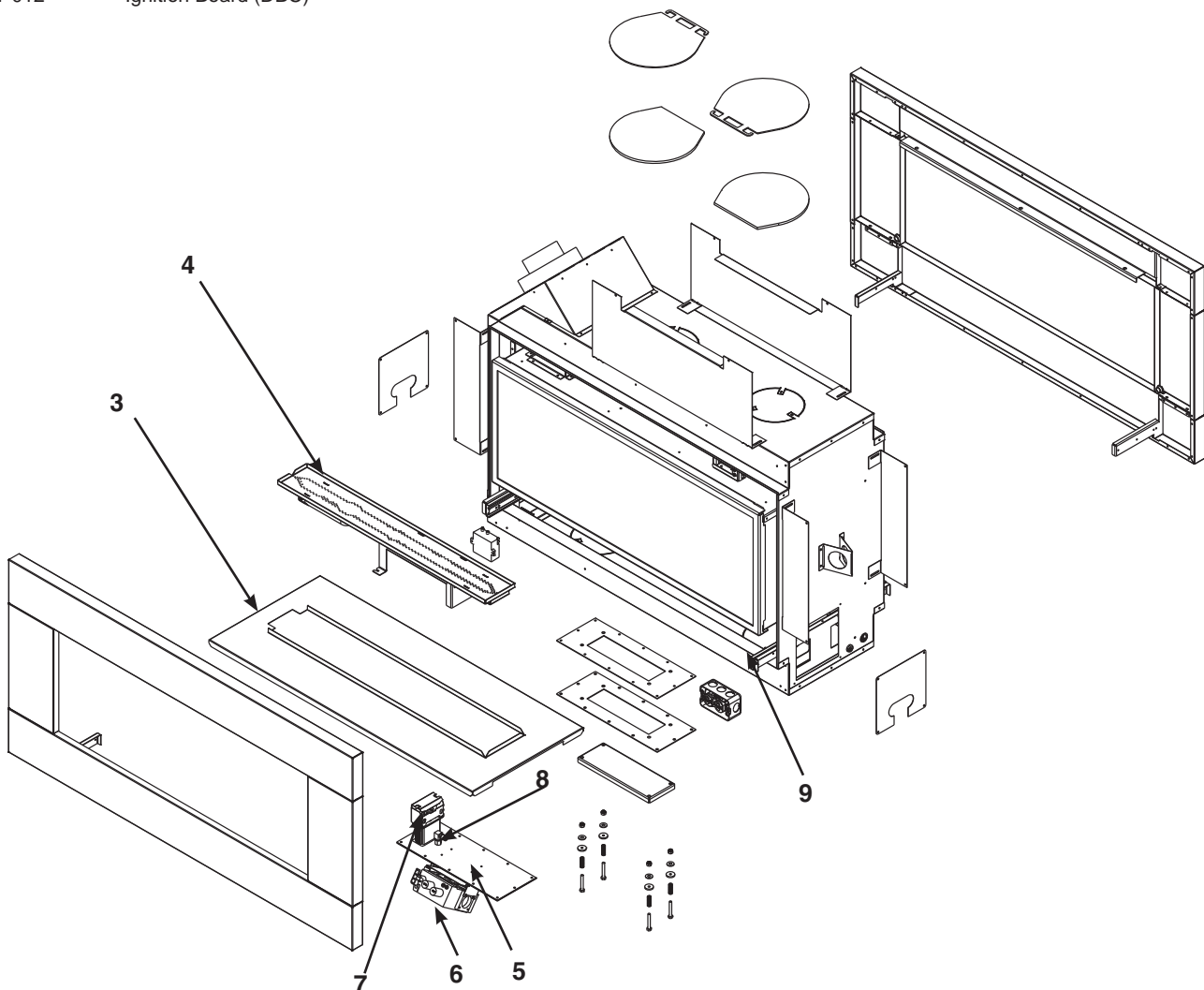


11) Disconnect the inlet gas line and remove the valve assembly.

12) Replace the valve assembly and reverse steps.

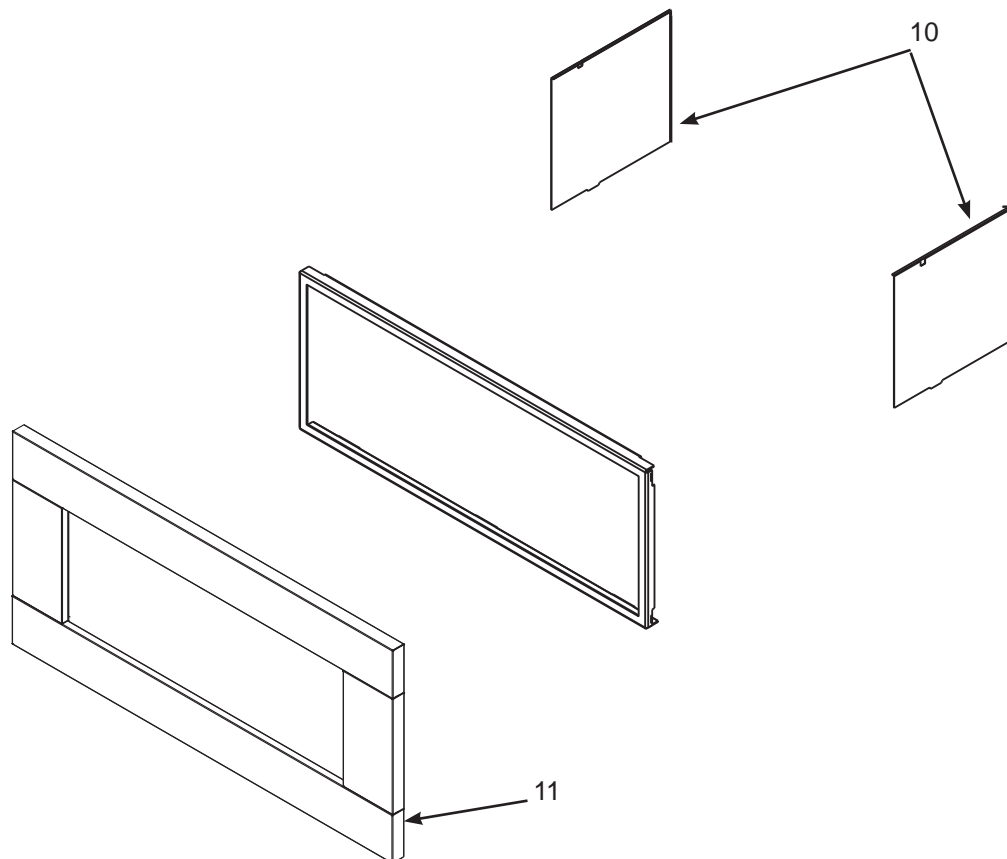
**MAIN ASSEMBLY**

| Part #         | Description                     |           |  |
|----------------|---------------------------------|-----------|--|
|                |                                 | 904-658   | Inlet Gas Flex Line SS                 |
|                |                                 | 430-011   | Flue Collar Gasket                     |
|                |                                 | 586-047F  | Relief plate door                      |
| 910-363        | White Wall Switch               | 586-048   | Plate Relief Gasket                    |
| 910-366        | White Switch Plate Wire         | 586-089   | Valve Tray Gasket                      |
| 3) 586-070     | Bottom Cover NG / LP            | 430-011   | Inner Flue Collar Gasket               |
|                |                                 | 586-017F  | Flue Restrictor Plate                  |
| 4) 586-525     | Burner Assembly -NG             | 586-016F  | Gas line cover                         |
| 586-530        | Burner Assembly-LP              | 586-068   | Top nailing strip                      |
| 6) 586-574 E/P | Valve Assembly -NG              | 596-045   | Side nailing strip                     |
| 586-576 E/P    | Valve Assembly-LP               | 596 072   | Bottom nailing strip                   |
| 7) 911-006     | Pilot Assy - 886 - S.I.T. - NG  |           |  |
| 911-007        | Pilot Assy - 886 - S.I.T. - LP  | 940-361/P | Flush Glass                            |
| 911-037        | Flame Sensor                    | 586-029   | Flush Glass Frame (shown on next page) |
| 911-038        | Flame Electrode                 |           |  |
| 911-039        | 2 way pilot hood                |           |  |
| 910-432        | Pilot tube                      | 910-882   | Wire (Valve to Burner ON/OFF)          |
| 911-013        | Wire Harness Incl. IP/CP switch | 918-944   | Manual                                 |
| 8) 904-593     | Orifice # 40 (NG)               |           |  |
| 904-345        | Orifice # 53 (LP)               |           |  |
| 9) 948-484     | Slide Hinge                     |           |  |
| 911-012        | Ignition Board (DBC)            |           |  |



## ACCESSORIES

| Part #      | Description                             |
|-------------|---|
| 10) 586-907 | Reflective Stainless Steel Inner Panels |
| 586-908     | Black Enamel Inner Panels               |
| 11) 586-914 | Faceplate Black                         |
| 586-916     | Faceplate Sunset Bronze                 |
| 586-917     | Faceplate Brushed Stainless             |
| 946-671     | Cobalt Blue Glass Crystals              |
| 946-672     | Natural River Pebbles                   |
| 946-673     | White River Pebbles                     |
| 946-674     | Ceramic Spa Stones                      |
| 946-690     | GT Proflame Surefire™ Remote Control    |
| 946-691     | GTM Proflame Surefire™ Remote Control   |
| 946-693     | GTM NG Surefire™ Modulator              |
| 946-694     | GTM LP Surefire™ Modulator              |
| 911-028     | GTM Surefire™ Wire Harness              |
| 910-576     | Cover Wall Mount (white)                |
| 910-572     | Receiver GTM SIT w/Batt & Cover         |





Regency® Fireplace Products are designed with reliability and simplicity in mind. In addition, our internal Quality Assurance Team carefully inspects each unit thoroughly before it leaves our facility. FPI Fireplace Products International Ltd. is pleased to extend this limited lifetime warranty to the original purchaser of a Regency® Product. This warranty is not transferable.

#### The Warranty: Limited Lifetime

The combustion chamber, heat exchanger, burner tubes/pans, logs, glass crystals, ceramic spa stones, pebbles, brick panels and gold plating (against defective manufacture only) are covered under the Limited Lifetime Warranty for five (5) years for parts and subsidized labour\* and parts only thereafter.

Glass is covered for lifetime against thermal breakage only, parts and subsidized labour\* for five (5) years and parts only thereafter from date of purchase.

External casting, surrounds and grills are covered against cracks and warps resulting from manufacturer defects, parts and subsidized labour\* for three (3) years from the date of purchase and parts only thereafter.

Special Finishes - One year on stainless steel panels, nickel overlays, nickel faceplates, brushed nickel and antique copper full screens and doors. You can expect some changes in color as the product "ages" with constant heating and cooling. Regency warranties the product for any manufacturing defects on the original product. However, the manufacturers warranty does not cover changing colors and marks, ie. finger prints, etc applied after the purchase of the product. Damage from the use of abrasive cleaners is not covered by warranty.

Electrical and mechanical components such as blowers, switches, wiring, thermosdiscs, Regency® remote controls, spill switches, thermopiles, thermocouples, pilot assembly components, and gas valves are covered for two years parts and one year subsidized labour\* from the date of purchase. Blowers and valves replaced under warranty are considered repairs and continue as if new with appliance. ie. twelve (12) months from original purchase date of appliance with a minimum of three (3) months coverage from date of replacement.

Regency venting components are covered parts and subsidized labour\* for three (3) years from date of purchase.

Simpson Dura-Vent venting components (Direct Vent units) are covered by Simpson Dura-Vent Inc. warranty.

Repair/replacement parts purchased by the consumer from Regency® after the original coverage has expired on the unit will carry a 90 day warranty, valid with a receipt only. Any item shown to be defective will be repaired or replaced at our discretion. No labour coverage is included with these parts.

#### Conditions:

Any part or parts of this unit which in our judgement show evidence of such defects will be repaired or replaced at Regency's option, through an accredited distributor or agent provided that the defective part be returned to the distributor or agent **Transportation Prepaid**, if requested.

Porcelain/Enamel - Absolute perfection is either guaranteed nor commercially possible. Any chips must be reported and inspected by an authorized dealer within three days of installation. Reported damage after this time will be subject to rejection.

It is the general practice of Regency to charge for larger, higher priced replacement parts and issue credit once the replaced component has been returned to Regency® and evaluated for manufacturer defect.

The authorized selling dealer is responsible for all in-field service work carried out on your Regency® product. Regency® will not be liable for results or costs of workmanship from unauthorized service persons or dealers.

At all times Regency® reserves the right to inspect product in the field which is claimed to be defective.

All claims must be submitted to Regency® by authorized selling dealers. It is essential that all submitted claims provide all of the necessary information including customer name, purchase date, serial #, type of unit, problem, and part or parts requested, without this information the warranty will be invalid.

#### Exclusions:

This limited Lifetime Warranty does not extend to or include paint, door or glass gasketing or trim.

At no time will Regency® be liable for any consequential damages which exceed the purchase price of the unit. Regency® has no obligation to enhance or modify any unit once manufactured. ie. as products evolve, field modifications or upgrades will not be performed.

Regency® will not be liable for travel costs for service work.

Installation and environmental problems are not the responsibility of the manufacturer and therefore are not covered under the terms of this warranty policy.

Embers, rockwool, gaskets, door handles and paint are not covered under the terms of this warranty policy.

Any unit which shows signs of neglect or misuse is not covered under the terms of this warranty policy.

The warranty will not extend to any part which has been tampered with or altered in any way, or in our judgment has been subject to misuse, improper installation, negligence or accident, spillage or downdrafts caused by environmental or geographical conditions, inadequate ventilation, excessive offsets, negative air pressure caused by mechanical systems such as furnaces, fans, clothes dryer, etc.

Freight damage to stoves and replacement parts is not covered by warranty and is subject to a claim against the freight carrier by the dealer.

Regency® will not be liable for acts of God, or acts of terrorism, which cause malfunction of the appliance.

Performance problems due to operator error will not be covered by this warranty policy.

Products made or provided by other manufacturers and used in conjunction with the operation of this appliance without prior authorization from Regency®, may nullify your warranty on this product.

Any alteration to the unit which causes sooting or carboning that results in damage to the interior / exterior facia is not the responsibility of Regency®.

\* Subsidy according to job scale as predetermined by FPI.



# Register your Regency® warranty online [www.regency-fire.com](http://www.regency-fire.com)

## Reasons to register your product online today!

- View and modify a list of all your registered products.
- Request automatic email notification of new product updates.
- Stay informed about the current promotions, events, and special offers on related products.

***Installer: Please complete the following information***

**Dealer Name & Address:** \_\_\_\_\_  
\_\_\_\_\_

**Installer:** \_\_\_\_\_

**Phone #:** \_\_\_\_\_

**Date Installed:** \_\_\_\_\_

**Serial No.:** \_\_\_\_\_



*Horizon HZ42ST Product Video*