

**INSTALLER: LEAVE THIS MANUAL WITH THE APPLIANCE.  
CONSUMER: RETAIN THIS MANUAL FOR FUTURE REFERENCE.  
NEVER LEAVE CHILDREN OR OTHER AT RISK INDIVIDUALS ALONE WITH THE APPLIANCE**



# INSTALLATION AND OPERATING INSTRUCTIONS

CERTIFIED UNDER CANADIAN AND AMERICAN NATIONAL STANDARDS: CSA 2.22, ANSI Z21.50 FOR VENTED GAS FIREPLACE.

CERTIFIED FOR CANADA AND UNITED STATES USING ANSI/CSA METHODS.

## SAFETY INFORMATION

### **! WARNING**

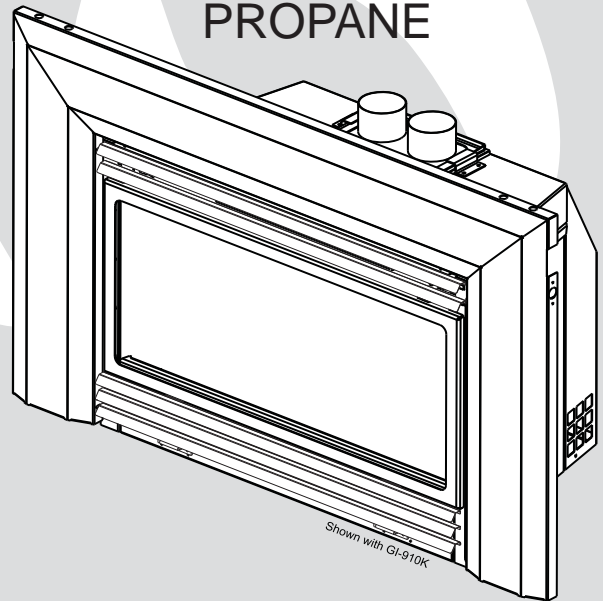
If the information in these instructions are not followed exactly, a fire or explosion may result causing property damage, personal injury or loss of life.

- Do not store or use gasoline or other flammable vapors and liquids in the vicinity of this or any other appliance.
- **WHAT TO DO IF YOU SMELL GAS:**
  - Do not try to light any appliance.
  - Do not touch any electrical switch; do not use any phone in your building.
  - Immediately call your gas supplier from a neighbour's phone. Follow the gas supplier's instructions.
  - If you cannot reach your gas supplier, call the fire department.
- Installation and service must be performed by a qualified installer, service agency or the supplier.

This appliance may be installed as an OEM installation in manufactured home (USA only) or mobile home and must be installed in accordance with the manufacturer's instructions and the Manufactured Home Construction and Safety Standard, Title 24 CFR, Part 3280, in the United States or the Standard for Installation in Mobile Homes, CAN/CSA Z240 MH, in Canada.

This appliance is only for use with the type(s) of gas indicated on the rating plate. A conversion kit is supplied with the appliance.

**GDI-30N**  
NATURAL GAS  
**GDI-30P**  
PROPANE



### **! WARNING**



**HOT GLASS WILL CAUSE BURNS.  
DO NOT TOUCH GLASS UNTIL COOLED.  
NEVER ALLOW CHILDREN TO TOUCH GLASS.**



Wolf Steel Ltd., 24 Napoleon Rd., Barrie, ON, L4M 0G8 Canada /  
103 Miller Drive, Crittenden, Kentucky, USA, 41030

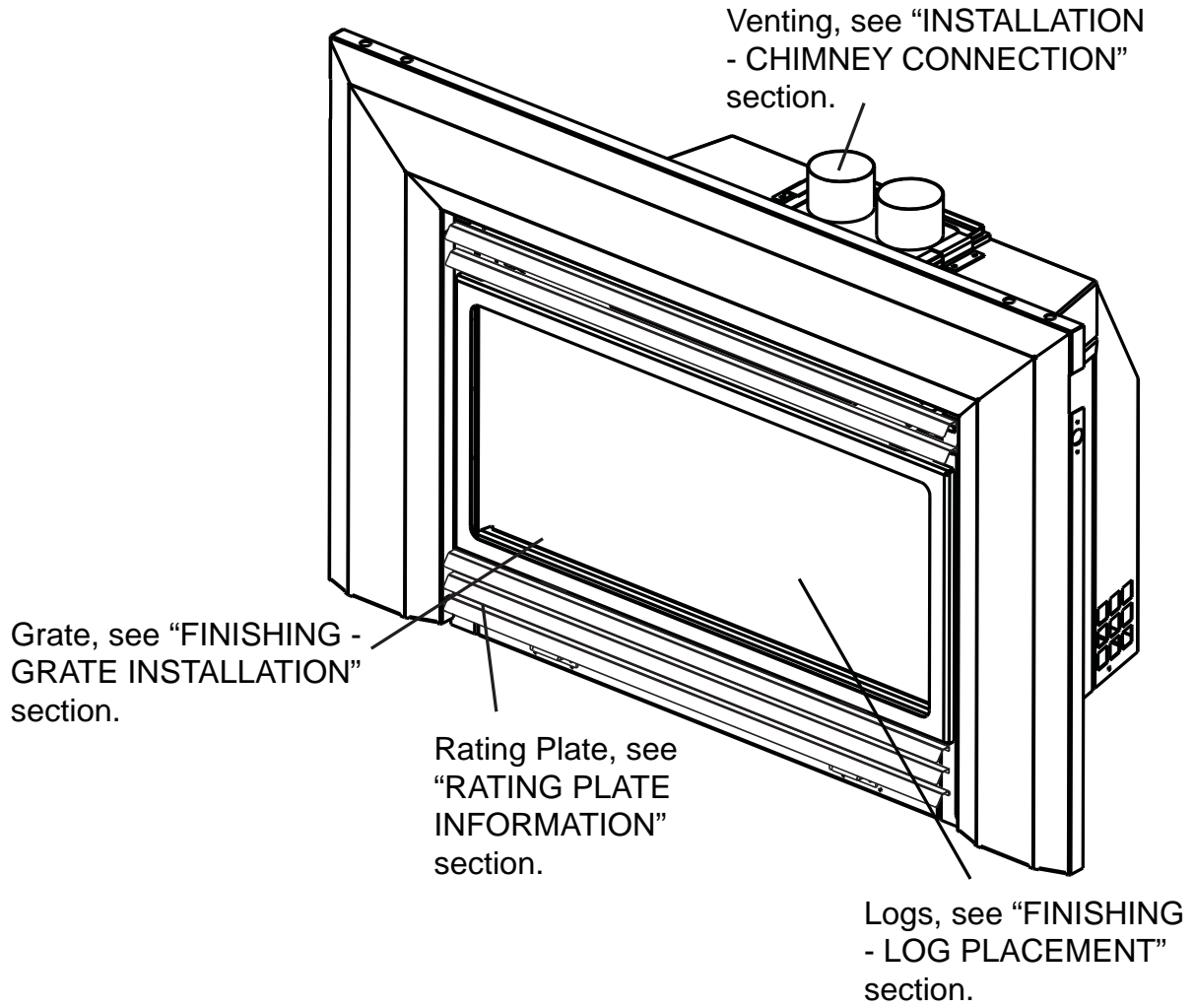
Phone (705)721-1212 • Fax (705)722-6031 • [www.napoleonfireplaces.com](http://www.napoleonfireplaces.com) • [ask@napoleonproducts.com](mailto:ask@napoleonproducts.com)

# TABLE OF CONTENTS

<b>1.0</b>	<b>INSTALLATION OVERVIEW</b>	<b>3</b>
<b>2.0</b>	<b>INTRODUCTION</b>	<b>4</b>
2.1	DIMENSIONS	5
2.3	MINIMUM CLEARANCE TO COMBUSTIBLES	5
2.2	GENERAL INSTRUCTIONS	5
2.4	GENERAL INFORMATION	6
2.5	RATING PLATE INFORMATION	7
<b>3.0</b>	<b>INSTALLATION</b>	<b>8</b>
3.1	LEVELLING THE APPLIANCE	8
3.2	CHIMNEY CONNECTION	8
3.3	GAS INSTALLATION	10
3.4	OPTIONAL WALL SWITCH	10
<b>4.0</b>	<b>FINISHING</b>	<b>11</b>
4.1	MINIMUM MANTEL CLEARANCES	11
4.2	DOOR REMOVAL AND INSTALLATION	12
4.3	GRATE INSTALLATION	12
4.4	LOG PLACEMENT	13
4.5	OPTIONAL CHARCOAL EMBERS	14
4.6	GLOWING EMBERS	14
4.7	LOGO PLACEMENT	14
<b>5.0</b>	<b>BLOWER REPLACEMENT</b>	<b>15</b>
<b>6.0</b>	<b>OPERATION</b>	<b>16</b>
<b>7.0</b>	<b>ADJUSTMENTS</b>	<b>17</b>
7.1	PILOT BURNER ADJUSTMENT	17
7.2	VENTURI ADJUSTMENT	17
7.3	FLAME CHARACTERISTICS	17
<b>8.0</b>	<b>MAINTENANCE</b>	<b>18</b>
8.1	CARE OF GLASS	18
8.2	DOOR GLASS REPLACEMENT	19
<b>9.0</b>	<b>REPLACEMENTS</b>	<b>20</b>
<b>10.0</b>	<b>TROUBLESHOOTING</b>	<b>24</b>
<b>11.0</b>	<b>WARRANTY</b>	<b>26</b>
<b>12.0</b>	<b>SERVICE HISTORY</b>	<b>27</b>

**NOTE:** changes, other than editorial, are denoted by a vertical line in the margin.

# 1.0 INSTALLATION OVERVIEW



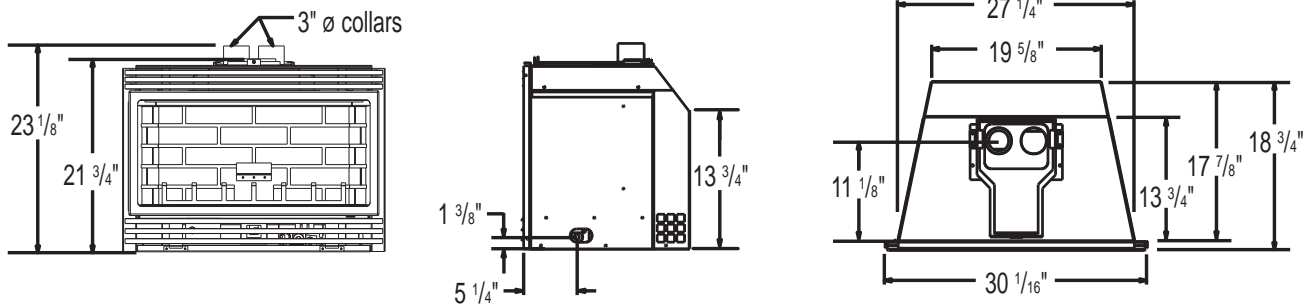
## 2.0 INTRODUCTION

### WARNING

- **THIS APPLIANCE IS HOT WHEN OPERATED AND CAN CAUSE SEVERE BURNS IF CONTACTED.**
- **ANY CHANGES TO THIS APPLIANCE OR IT'S CONTROLS CAN BE DANGEROUS AND IS PROHIBITED.**
- Do not operate appliance before reading and understanding operating instructions. Failure to operate appliance according to operating instructions could cause fire or injury.
- Risk of fire or asphyxiation do not operate appliance with fixed glass removed.
- Do not connect 110 volts to the control valve.
- Risk of burns. The appliance should be turned off and cooled before servicing.
- Do not install damaged, incomplete or substitute components.
- Risk of cuts and abrasions. Wear protective gloves and safety glasses during installation. Sheet metal edges may be sharp.
- Do not burn wood or other materials in this appliance.
- Children and adults should be alerted to the hazards of high surface temperature and should stay away to avoid burns or clothing ignition.
- Young children should be carefully supervised when they are in the same room as the appliance. Toddlers, young children and others may be susceptible to accidental contact burns. A physical barrier is recommended if there are at risk individuals in the house. To restrict access to an appliance or stove, install an adjustable safety gate to keep toddlers, young children and other at risk individuals out of the room and away from hot surfaces.
- Clothing or other flammable material should not be placed on or near the appliance.
- Due to high temperatures, the appliance should be located out of traffic and away from furniture and draperies.
- Ensure you have incorporated adequate safety measure to protect infants/toddlers from touching hot surfaces.
- Even after the appliance is out, the glass and/or screen will remain hot for an extended period of time.
- Check with your local hearth specialty dealer for safety screens and hearth guards to protect children from hot surfaces. These screens and guards must be fastened to the floor.
- Any safety screen or guard removed for servicing must be replaced prior to operating the appliance.
- The appliance is a vented gas-fired appliance. Do not burn wood or other materials in the appliance.
- It is imperative that the control compartments, burners and circulating blower and its passageway in the appliance and venting system are kept clean. The appliance and its venting system should be inspected before use and at least annually by a qualified service person. More frequent cleaning may be required due to excessive lint from carpeting, bedding material, etc. The appliance area must be kept clear and free from combustible materials, gasoline and other flammable vapors and liquids.
- Under no circumstances should this appliance be modified.
- This appliance must not be connected to a chimney flue pipe serving a separate solid fuel burning appliance.
- Do not use this appliance if any part has been under water. Immediately call a qualified service technician to inspect the appliance and to replace any part of the control system and any gas control which has been under water.
- Do not operate the appliance with the glass door removed, cracked or broken. Replacement of the glass should be done by a licensed or qualified service person.
- Do not strike or slam shut the appliance glass door.
- When equipped with pressure relief doors, they must be kept closed while the appliance is operating to prevent exhaust fumes containing carbon monoxide, from entering into the home. Temperatures of the exhaust escaping through these openings can also cause the surrounding combustible materials to overheat and catch fire. Only doors / optional fronts certified with the unit are to be installed on the appliance.
- Only doors / optional fronts certified with the unit are to be installed on the appliance.
- Keep the packaging material out of reach of children and dispose of the material in a safe manner. As with all plastic bags, these are not toys and should be kept away from children and infants.
- As with any combustion appliance, we recommend having your appliance regularly inspected and serviced as well as having a Carbon Monoxide Detector installed in the same area to defend you and your family against Carbon Monoxide.
- Ensure clearances to combustibles are maintained when building a mantel or shelves above the appliance. Elevated temperatures on the wall or in the air above the appliance can cause melting, discolouration or damage to decorations, a T.V. or other electronic components.
- This appliance uses and requires a fast acting thermocouple. Replace only with a fast acting thermocouple supplied by Wolf Steel Ltd.

3.1C

## 2.1 DIMENSIONS



## 2.3 MINIMUM CLEARANCE TO COMBUSTIBLES

This appliance must be recessed into a vented noncombustible wood-burning appliance (prefabricated or masonry) only. The minimum appliance opening size in which the appliance is to be installed is:

**HEIGHT 21.75"    WIDTH 28"    DEPTH 18"**  
**The minimum allowable chimney flue size is 6" round.**

The minimum distance, from the bottom of a combustible mantle projecting 3" maximum from the wall to the top of the louvre opening, is 12".

## 2.2 GENERAL INSTRUCTIONS

<b>! WARNING</b>
<b>ALWAYS LIGHT THE PILOT WHETHER FOR THE FIRST TIME OR IF THE GAS SUPPLY HAS RUN OUT, WITH THE GLASS DOOR OPENED OR REMOVED.</b>
<b>PROVIDE ADEQUATE CLEARANCE FOR SERVICING AND OPERATING THE APPLIANCE.</b>
<b>PROVIDE ADEQUATE VENTILATION.</b>
<b>NEVER OBSTRUCT THE FRONT OPENING OF THE APPLIANCE.</b>
<b>OBJECTS PLACED IN FRONT OF THE APPLIANCE MUST BE KEPT A MINIMUM OF 48" FROM THE FRONT FACE OF THE UNIT.</b>
<b>SURFACES AROUND AND ESPECIALLY ABOVE THE APPLIANCE CAN BECOME HOT. AVOID CONTACT WHEN THE APPLIANCE IS OPERATING.</b>
<b>FIRE RISK. EXPLOSION HAZARD.</b>
<b>HIGH PRESSURE WILL DAMAGE VALVE. DISCONNECT GAS SUPPLY PIPING BEFORE PRESSURE TESTING GAS LINE AT TEST PRESSURES ABOVE 1/2 PSIG. CLOSE THE MANUAL SHUT-OFF VALVE BEFORE PRESSURE TESTING GAS LINE AT TEST PRESSURES EQUAL TO OR LESS THAN 1/2 PSIG.</b>
<b>USE ONLY WOLF STEEL APPROVED OPTIONAL ACCESSORIES AND REPLACEMENT PARTS WITH THIS APPLIANCE. USING NON-LISTED ACCESSORIES (BLOWERS, DOORS, LOUVRES, TRIMS, GAS COMPONENTS, VENTING COMPONENTS, ETC.) COULD RESULT IN A SAFETY HAZARD AND WILL VOID THE WARRANTY AND CERTIFICATION.</b>

**THIS GAS APPLIANCE SHOULD BE INSTALLED AND SERVICED BY A QUALIFIED INSTALLER** to conform with local codes. Installation practices vary from region to region and it is important to know the specifics that apply to your area, for example in Massachusetts State:

- This product must be installed by a licensed plumber or gas fitter when installed within the commonwealth of Massachusetts.
- The appliance damper must be removed or welded in the open position prior to installation of a appliance insert or gas log.
- The appliance off valve must be a "T" handle gas cock.
- The flexible connector must not be longer than 36 inches.

- A Carbon Monoxide detector is required in all rooms containing gas fired appliances.
- The appliance is not approved for installation in a bedroom or bathroom unless the unit is a direct vent sealed combustion product.

The installation must conform with local codes or, in absence of local codes, the National Gas and Propane Installation Code CSA B149.1 in Canada, or the National Fuel Gas Code, ANSI Z223.1 / NFPA 54 in the United States. Suitable for mobile home installation if installed in accordance with the current standard CAN/CSA Z240MH Series, for gas equipped mobile homes, in Canada or ANSI Z223.1 and NFPA 54 in the United States.

**NATIONAL  
FIREPLACE  
INSTITUTE**



**CERTIFIED**

[www.nficertified.org](http://www.nficertified.org)

We suggest that our gas hearth products be installed and serviced by professionals who are certified in the U.S. by the National Fireplace Institute® (NFI) as NFI Gas Specialists

Some appliances have optional fans or blowers. If an optional fan or blower is installed, the junction box must be electrically connected and grounded in accordance with local codes, use the current CSA C22.1 Canadian Electrical Code in Canada or the ANSI/NFPA 70 National Electrical code in the United States.

4.12

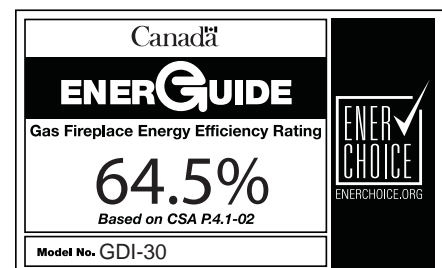
## 2.4 GENERAL INFORMATION

**FOR YOUR SATISFACTION, THIS APPLIANCE HAS BEEN TEST-FIRED TO ASSURE ITS OPERATION AND QUALITY!**

<b>GDI-30</b>		
	<b>NG</b>	<b>LP</b>
Altitude (FT)	0-4,500	0-4,500
Max. Input (BTU/HR)	24,500	24,500
Max. Output (BTU/HR)	20,825	20,825
Efficiency (w/the fan on)	85%	85%
A.F.U.E. (maximum value)	82%	82%
Min. Inlet Gas Supply Pressure	4.5" Water Column	11" Water Column
Max. Inlet Gas Supply Pressure	7" Water Column	13" Water Column
Manifold Pressure (Under Flow Conditions)	3.5" Water Column	10" Water Column

When the appliance is installed at elevations above 4,500ft, and in the absence of specific recommendations from the local authority having jurisdiction, the certified high altitude input rating shall be reduced at the rate of 4% for each additional 1,000ft. Expansion / contraction noises during heating up and cooling down cycles are normal and to be expected.

This appliance is not approved for closet or recessed installations. It is approved for bathroom, bedroom and bed-sitting room installations and is suitable for mobile homes. The natural gas model is suitable for installation in a mobile home that is permanently positioned on its site and fuelled with natural gas.



## 2.5 RATING PLATE INFORMATION

<p>CERTIFIED UNDER / HOMOLOGUE SELON LES NORMES: CSA 2.22b-2009, ANSI Z21.50b-2009 VENTED GAS FIREPLACE / FOYER AU GAZ AVEC EVACUATION.                  THIS FIREPLACE USES AND REQUIRES A FAST ACTING THERMOCOUPLE. REPLACE ONLY WITH A FAST ACTING THERMOCOUPLE SUPPLIED BY WOLF STEEL LTD.                  APPROVED FOR BEDROOM, BATHROOM &amp; BEDSITTING ROOM INSTALLATION. SUITABLE FOR MOBILE HOME INSTALLATION IF INSTALLED IN ACCORDANCE WITH THE CURRENT STANDARD CAN/CSA Z240MH SERIES GAS EQUIPPED MOBILE HOMES, IN CANADA OR IN THE UNITED STATES THE MANUFACTURED HOME CONSTRUCTION AND SAFETY STANDARD, TITLE 24 CFR, PART 3280. WHEN THIS US STANDARD IS NOT APPLICABLE USE THE STANDARD FOR FIRE SAFETY CRITERIA FOR MANUFACTURED HOME INSTALLATIONS, SITES AND COMMUNITIES, ANSI / NFPA 501A.</p>		<p>CE FOYER UTILISE ET REQUIERT UN THERMOCOUPLE A ACTION RAPIDE. REMPLACEZ UNIQUEMENT AVEC UN THERMOCOUPLE A ACTION RAPIDE DE WOLF STEEL LTEE. HOMOLOGUE POUR INSTALLATION DANS UNE CHAMBRE A COUCHER, UNE SALLE DE BAIN ET UN STUDIO. APPROPRIE POUR INSTALLATION DANS UNE MAISON MOBILE SI SON INSTALLATION CONFORME AUX EXIGENCES DE LA NORME CAN/CSA Z240MH SERIE DE MAISONS MOBILES EQUIPEES AU GAZ. EN VIGUEUR AU CANADA A OU AUX ETATS-UNIS DE LA NORME DE SECURITE ET DE CONSTRUCTION DE MAISONS MANUFACTUREES, TITRE 24 CFR, SECTION 3280. DANS LE CAS OU CETTE NORME D'ETATS-UNIS NE PEUT ETRE APPLIQUEE, SE REFERER A LA NORME RELATIVE AUCRITERE DE MESURES DE SECURITE CONTRE L'INCENDIE POUR LES INSTALLATIONS DANS LES MAISONS MANUFACTURERS, LES SITES ET LES COMMUNAUTES, ANS/NFPA 501A.</p>	
<p>9700539 (WSL) ■                  4001658 (NAC) ■</p>		<p>4001657 (NGZ) ■                  4001659 (WUSA) ■</p>	
<p><b>MODEL</b>                  GDI-30N / CDI-30N <input type="checkbox"/></p>		<p><b>MODEL</b>                  GDI-30P / CDI-30P <input type="checkbox"/></p>	
<p>0-4500FT                  24,600 BTU/h                  15,000 BTU/h</p>		<p>ALTITUDE / ELEVATION                  INPUT / ALIMENTATION                  REDUCED INPUT / ALIMENTATION REDUITE</p>	
<p>MINIMUM AND MAXIMUM VERTICAL VENT LENGTHS ARE 10 FEET AND 35 FEET RESPECTIVELY. LES LONGUEURS VERTICALES MINIMALES ET MAXIMALES SONT 10 PIEDS ET 35 PIEDS RESPECTIVEMENT.</p>		<p>MINIMUM AND MAXIMUM VERTICAL VENT LENGTHS ARE 10 FEET AND 35 FEET RESPECTIVELY. LES LONGUEURS VERTICALES MINIMALES ET MAXIMALES SONT 10 PIEDS ET 35 PIEDS RESPECTIVEMENT.</p>	
<p><b>MANIFOLD PRESSURE: 3.5" W.C. (NG)</b>                  PRESSION AU COLLECTEUR: 3.5" D'UNE COLONNE D'EAU (GN)                  MIN. SUPPLY PRESSURE: 8.5" W.C. (NG)                  PRESSION D'ALIMENTATION MIN: 4.5" D'UNE COLONNE D'EAU (GN)                  MAX. SUPPLY PRESSURE: 7" W.C. (NG)                  PRESSION D'ALIMENTATION MAX: 7" D'UNE COLONNE D'EAU (GN)</p>		<p><b>MANIFOLD PRESSURE: 10" W.C. (LP)</b>                  PRESSION AU COLLECTEUR: 10" D'UNE COLONNE D'EAU (P)                  MIN. SUPPLY PRESSURE: 11" W.C. (LP)                  PRESSION D'ALIMENTATION MIN: 11" D'UNE COLONNE D'EAU (P)                  MAX. SUPPLY PRESSURE: 13" W.C. (LP)                  PRESSION D'ALIMENTATION MAX: 13" D'UNE COLONNE D'EAU (P)</p>	
<p><b>NOT FOR USE WITH SOLID FUEL</b>                  FOR USE WITH GLASS DOORS CERTIFIED WITH THIS UNIT ONLY.  <b>WARNING:</b> DO NOT ADD ANY MATERIAL TO THE APPLIANCE, WHICH WILL COME IN CONTACT WITH THE FLAMES, OTHER THAN THAT SUPPLIED BY THE MANUFACTURER WITH THE APPLIANCE.                  ELECTRICAL RATING: 115V 1.5AMP 60HZ                  THE APPLIANCE MUST BE VENTED USING THE APPROPRIATE WOLF STEEL VENT KITS. SEE OWNERS INSTALLATION MANUAL FOR VENTING SPECIFICS. PROPER REINSTALLATION AND RESEALING IS NECESSARY AFTER SERVICING THE VENT-AIR INTAKE SYSTEM.  <b>WARNING:</b> FOR INSTALLATION INTO A VENTED NON-COMBUSTIBLE FIREPLACE ONLY. THE MINIMUM FIREPLACE SIZE IS: HEIGHT 21.75", DEPTH 18", WIDTH 28". THE MINIMUM INSIDE FLUE SIZE IS 6". THE MINIMUM DISTANCE FROM THE BOTTOM OF A COMBUSTIBLE MANTEL PROJECTING A MAXIMUM 3" FROM THE WALL TO THE TOP OF THE UNIT IS 12". SEE OWNERS MANUAL FOR GREATER EXTENSIONS!</p>		<p><b>UN COMBUSTIBLE SOLIDE NE DOIT PAS ETRE UTILISE AVEC CET APPAREIL</b>                  UTILISER AVEC LES PORTES VITREES HOMOLOGUEES SEULEMENT AVEC CETTE UNITE.  <b>AVERTISSEMENT:</b> N'AJOUTEZ PAS A CET APPAREIL AUCUN MATERIAU DEVANT ENTRER EN CONTACT AVEC LES FLAMMES AUTRE QUE CELUI QUI EST FOURNI AVEC CET APPAREIL PAR LE FABRICANT.                  CLASS: 115V 1.5AMP 60HZ                  L'APPAREIL DOIT EVACUER SES GAZ EN UTILISANT L'ENSEMBLE D'EVACUATION PROPRE A WOLF STEEL. REFERER AU MANUEL D'INSTALLATION DE PROPRIETAIRE POUR L'EVACUATION PRECISE. IL EST IMPORTANT DE BIEN REINSTALLER ET RESCELLER L'EVENT APRES AVOIR ASSURE LE MAINTIEN DU SYSTEME DE PRISE D'AIR.  <b>ATTENTION:</b> POUR INSTALLATION DANS UN FOYER VENTILE EN MACONNERIE. LES DIMENSIONS MINIMUMS SONT: HAUTEUR 21.75", PROFONDEUR 18", LARGEUR 28". LE DIAMETRE INTERIEUR MINIMUM DE CONDUIT D'EVACUATION EST 6". LA DISTANCE MINIMALE DU BAS DU MANTEAU COMBUSTIBLE FORMANT UNE PROJECTION MAXIMALE DE 3" DU MUR AU DESSUS DE LA GARNITURE NORMALE EST 12" REFERER AU MANUEL D'INSTALLATION POUR DES EXTENSIONS PLUS GRANDES.</p>	
<p><b>WOLF STEEL LTD.</b>                  24 NAPOLEON ROAD, BARRIE, ON, L4M 0G8, CANADA</p>		<p>SERIAL NUMBER / NO. DESERIE: GDI/CDI-30                  W385-0292 / H</p>	

**INSTALLER:** It is your responsibility to check off the appropriate box on the rating plate according to the model, venting and gas type of the appliance.

For rating plate location, see "INSTALLATION OVERVIEW" section.

This illustration is for reference only. Refer to the rating plate on the appliance for accurate information.

## 3.0 INSTALLATION

### **WARNING**

**RISK OF FIRE, MAINTAIN SPECIFIED AIR SPACE CLEARANCES TO VENT PIPE AND APPLIANCE.**

Clean out ashes from the inside of the wood-burning appliance. Make sure that the chimney and wood-burning appliance are in a clean and sound condition and constructed of non-combustible materials. If necessary have any repair work done by a qualified person before installing the insert. Remove the existing appliance damper or lock into an open position.

Using screws, attach the appliance warning tag to the inside of the firebox of the appliance into which the insert is being installed.

The sheet-metal parts of the appliance, in which the gas appliance insert is to be installed, must not be cut.

If the wood-burning factory-built appliance has no gas access hole(s) provided, an access hole of 1½ inch or less may be drilled through the lower sides or bottom of the appliance in a proper workman like manner. This access hole must be plugged with non-combustible insulation after the gas supply line has been installed.

Ensure that existing chimney cleanouts fit properly.

The refractory, glass doors, screen rails, screen mesh and log grates may be removed from the existing appliance before installing the gas appliance insert.

Smoke shelves, shields and baffles may be removed if attached by mechanical fasteners.

The ventilation openings in the existing appliance may be obstructed by the backer plates, aluminium trim etc. but these parts are not to be applied so as to have an airtight seal.

**WARNING:** THIS FIREPLACE HAS BEEN CONVERTED FOR USE WITH A GAS FIREPLACE INSERT ONLY AND CANNOT BE USED FOR BURNING WOOD OR SOLID FUELS UNLESS ALL ORIGINAL PARTS HAVE BEEN REPLACED AND THE FIREPLACE IS RE-APPROVED BY THE AUTHORITY HAVING JURISDICTION.

**ATTENTION:** CE FOYER A ETE CONVERTI AFIN D'ETRE UTILISE SEULEMENT COMME FOYER ENCASTRE AU GAZ ET NE PEUT ETRE UTILISE POUR BRULER DU BOIS OU TOUT AUTRE COMBUSTIBLE SOLIDE, SANS QUE TOUTES LES PIECES ORIGINALES AIENT ETE REMPLACEES ET QUE LE FOYER SOIT APPROUVE DE NOUVEAU PAR LES AUTORITES AYANT JURIDICTION.

**ADVERTENCIA:** ESTA CHIMENEA SE REMODELÓ PARA USARSE SOLO CON UNA INSERCIÓN DE CHIMENEA A GAS Y NO PUEDE USARSE PARA QUEMAR MADERA NI COMBUSTIBLES SÓLIDOS, A MENOS QUE SE HAYAN REEMPLAZADO TODAS LAS PIEZAS ORIGINALES, Y LA AUTORIDAD JURISDICCIONAL LA HAYA VUELTO A APROBAR.

W385-0199\_B

68.4A

### 3.1 LEVELLING THE APPLIANCE

Move the appliance close to its final position inside the wood-burning appliance. This appliance is equipped with 4 levelling screws located in the four inside corners beneath the log support. Level using the levelling screws to eliminate rocking or excessive noise when the fan is in operation. Once the appliance is level, move it partially into place within the appliance to allow for all connections to be made. It is not practical to level the appliance once it has been installed. Determine the required depth prior to installing the appliance and adjust the four levelling screws accordingly.

### 3.2 CHIMNEY CONNECTION

Chimney installation must conform to both national and local code requirements. The chimney must be lined with one 2" or 3" diameter liner for intake and one 3" diameter liner for exhaust. The minimum and maximum vent lengths are 10 and 35 feet respectively. Recommended kits come in 3 lengths:

**1-2" & 1-3" DOUBLE PLY ALUMINUM LINER-INLET AND EXHAUST & 2-3" TO 2" REDUCER:**

GDI-2320KT	VENT KIT 20FT
GDI-2325KT	VENT KIT 25FT
GDI-2335KT	VENT KIT 35FT

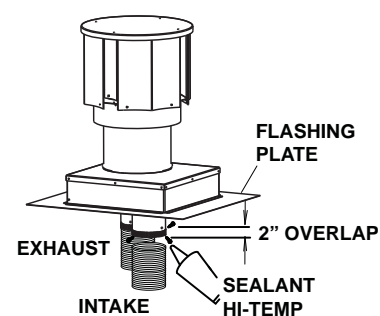
**2-3" DOUBLE PLY ALUMINUM LINER-INLET AND EXHAUST:**

GDI-320KT	VENT KIT 20FT
GDI-325KT	VENT KIT 25 FT
GDI-335KT	VENT KIT 35 FT



While the liners must be continuous from the appliance to the chimney cap, to achieve the needed length, they may be coupled, using an approved coupler. We recommend that exhaust vents that pass through unheated spaces, such as tall exterior chimneys, be wrapped in a protective sleeve to minimize condensation and reverse flow symptoms. See Trouble Shooting for details. This appliance is approved for use with a 2" liner for air intake and a 3" liner for exhaust. For best performance, however, it is recommended to use two 3" liners.

If a 2" liner is used for the intake, it may be necessary to adjust the primary air shutter.



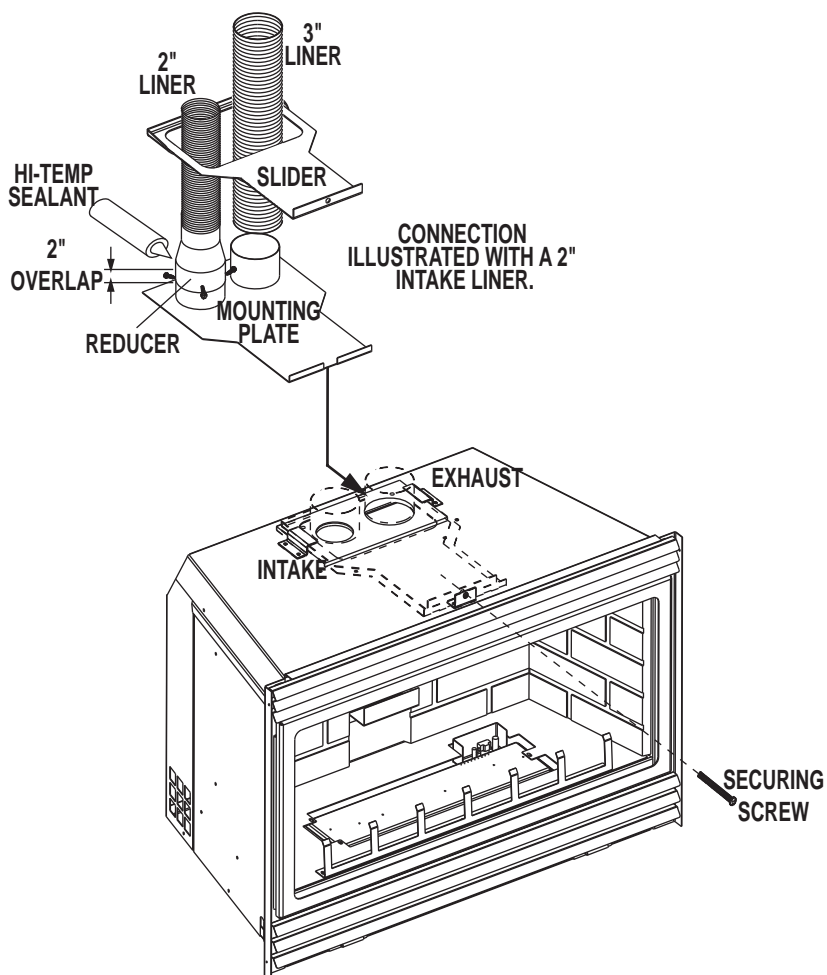
- A. **OUTSIDE:** Slip the one end of a liner a minimum of 2" over the sleeve of the air terminal. Secure using 3 screws. Then seal the joint and screw heads with high temperature sealant. Repeat with the other liner.

**NOTE:** We recommend that the other end of the exhaust liner be marked to eliminate the exhaust liner being connected to the intake collar at the appliance.

- B. Gently stretch the liners to the required lengths and insert into the chimney. Trim and fit the flashing plate to suit the chimney termination. Place the air terminal onto the top of the chimney. Make weather tight by sealing with caulking (not supplied). Fasten to the chimney with screws and plugs (not supplied).

- C. **INSIDE:** Remove the securing screw from the front of the vent mounting plate. Pull the vent mounting plate only, back into the track, to the front stop. Start the slider back into position. Re-secure the screw. The appliance may now be pushed into its final position inside the wood burning appliance, and the screw tightened until the slider has been pulled tight to the front stop.

- D. Route the flex liners through the slider. Attach and secure the liners to the vent mounting plate using the same procedure as before, ensuring that the marked exhaust liner is attached to the exhaust collar.



## 3.3 GAS INSTALLATION

<b>! WARNING</b>
<b>RISK OF FIRE, EXPLOSION OR ASPHYXIATION. ENSURE THERE ARE NO IGNITION SOURCES SUCH AS SPARKS OR OPEN FLAMES.</b>
<b>SUPPORT GAS CONTROL WHEN ATTACHING GAS SUPPLY PIPE TO PREVENT DAMAGING GAS LINE.</b>
<b>ALWAYS LIGHT THE PILOT WHETHER FOR THE FIRST TIME OR IF THE GAS SUPPLY HAS RUN OUT WITH THE GLASS DOOR OPENED OR REMOVED. PURGING OF THE GAS SUPPLY LINE SHOULD BE PERFORMED BY A QUALIFIED SERVICE TECHNICIAN. ASSURE THAT A CONTINUOUS GAS FLOW IS AT THE BURNER BEFORE CLOSING THE DOOR. ENSURE ADEQUATE VENTILATION. FOR GAS AND ELECTRICAL LOCATIONS, SEE "DIMENSION" SECTION.</b>
<b>ALL GAS CONNECTIONS MUST BE CONTAINED WITHIN THE APPLIANCE WHEN COMPLETE.</b>
<b>HIGH PRESSURE WILL DAMAGE VALVE. DISCONNECT GAS SUPPLY PIPING BEFORE TESTING GAS LINE AT TEST PRESSURES ABOVE 1/2 PSIG.</b>
<b>VALVE SETTINGS HAVE BEEN FACTORY SET, DO NOT CHANGE.</b>

Installation and servicing to be done by a qualified installer.

- A. Move the appliance into position and secure.
- B. If equipped with a flex connector the appliance is designed to accept a 1/2" gas supply. Without the connector it is designed to accept a 3/8" gas supply. The appliance is equipped with a manual shut off valve to turn off the gas supply to the appliance.
- C. Connect the gas supply in accordance to local codes. In the absence of local codes, install to the current CAN/CSA-B149.1 Installation Code in Canada or to the current National Fuel Gas Code, ANSI Z223.1 / NFPA 54 in the United States.
- D. When flexing any gas line, support the gas valve so that the lines are not bent or kinked.
- E. The gas line flex-connector should be installed to provide sufficient movement for shifting the burner assembly on it's side to aid with servicing components.
- F. Check for gas leaks by brushing on a soap and water solution. **Do not use open flame.**

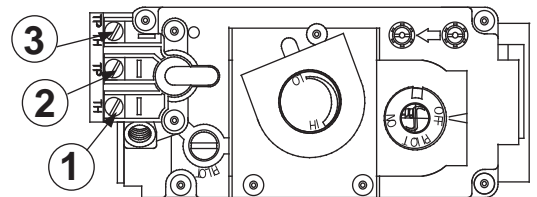
30.1A

## 3.4 OPTIONAL WALL SWITCH

<b>! WARNING</b>
<b>DO NOT CONNECT EITHER THE WALL SWITCH, THERMOSTAT OR GAS VALVE DIRECTLY TO 110 VOLT ELECTRICITY.</b>

For ease of accessibility, an optional remote wall switch or millivolt thermostat may be installed in a convenient location. Route a 2 strand, solid core millivolt wire from the valve to the wall switch or millivolt thermostat. The recommended maximum lead length depends on wire size:

WIRE SIZE	MAX. LENGTH
14 gauge	100 feet
16 gauge	60 feet
18 gauge	40 feet



Disconnect the existing wires from terminals 1 and 3 (from the ON/OFF switch) and replace with the leads from the wall switch / millivolt thermostat.

50.1

## 4.0 FINISHING

<b>! WARNING</b>
<b>RISK OF FIRE!</b>
<b>NEVER OBSTRUCT THE FRONT OPENING OF THE APPLIANCE.</b>
<b>THE FRONT OF THE APPLIANCE MUST BE FINISHED WITH ANY NON-COMBUSTIBLE MATERIALS SUCH AS BRICK, MARBLE, GRANITE, ETC., PROVIDED THAT THESE MATERIALS DO NOT GO BELOW THE SPECIFIED DIMENSION AS ILLUSTRATED.</b>
<b>DO NOT STRIKE, SLAM OR SCRATCH GLASS. DO NOT OPERATE APPLIANCE WITH GLASS REMOVED, CRACKED, BROKEN OR SCRATCHED.</b>
<b>FACING AND/OR FINISHING MATERIAL MUST NEVER OVERHANG INTO THE APPLIANCE OPENING.</b>

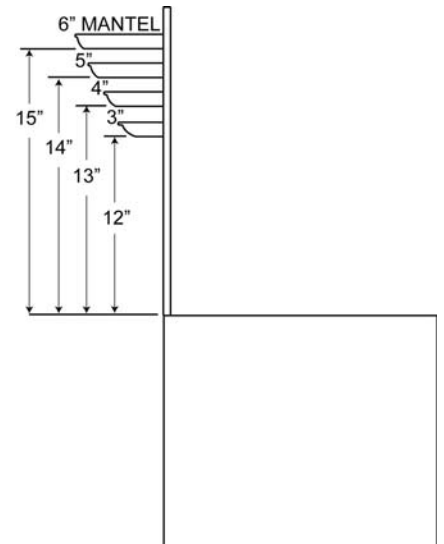
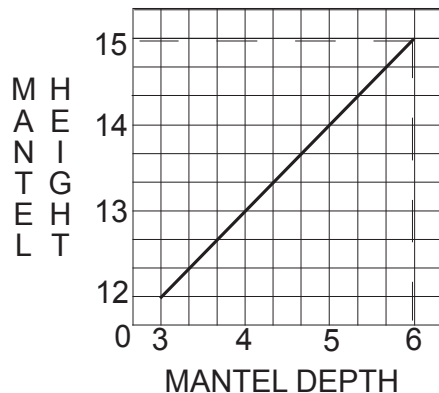
72.1A

### 4.1 MINIMUM MANTEL CLEARANCES

<b>! WARNING</b>
<b>RISK OF FIRE, MAINTAIN ALL SPECIFIED AIR SPACE CLEARANCES TO COMBUSTIBLES. FAILURE TO COMPLY WITH THESE INSTRUCTIONS MAY CAUSE A FIRE OR CAUSE THE APPLIANCE TO OVERHEAT. ENSURE ALL CLEARANCES (I.E. BACK, SIDE, TOP, VENT, MANTEL, FRONT, ETC.) ARE CLEARLY MAINTAINED.</b>
<b>WHEN USING PAINT OR LACQUER TO FINISH THE MANTEL, THE PAINT OR LACQUER MUST BE HEAT RESISTANT TO PREVENT DISCOLOURATION.</b>

73.1

Combustible mantel clearance can vary according to the mantel depth. Use the graph to help evaluate the clearance needed. These same requirements apply to any combustibles protruding on either side of the appliance.



## 4.2 DOOR REMOVAL AND INSTALLATION

**! WARNING**

**GLASS MAY BE HOT, DO NOT TOUCH GLASS UNTIL COOLED.**

**THE DOOR LATCHES ARE PART OF A SAFETY SYSTEM AND MUST BE PROPERLY ENGAGED. DO NOT OPERATE THE APPLIANCE WITH LATCHES DISENGAGED.**

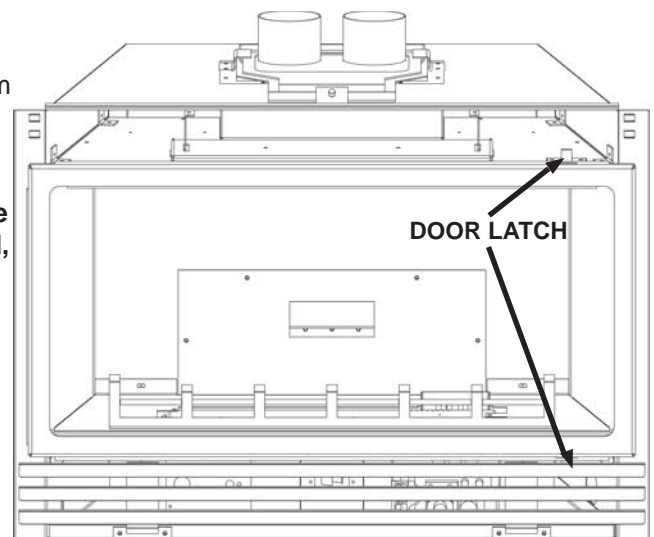
**FACING AND/OR FINISHING MATERIALS MUST NOT INTERFERE WITH AIR FLOW THROUGH AIR OPENINGS, LOUVRES OPENINGS, OPERATION OF LOUVRES OR DOORS OR ACCESS FOR SERVICE. OBSERVE ALL CLEARANCES WHEN APPLYING COMBUSTIBLE MATERIALS.**

**BEFORE DOOR IS REMOVED TURN THE APPLIANCE OFF AND WAIT UNTIL APPLIANCE IS COOL TO THE TOUCH. DOORS ARE HEAVY AND FRAGILE SO HANDLE WITH CARE.**

75.1

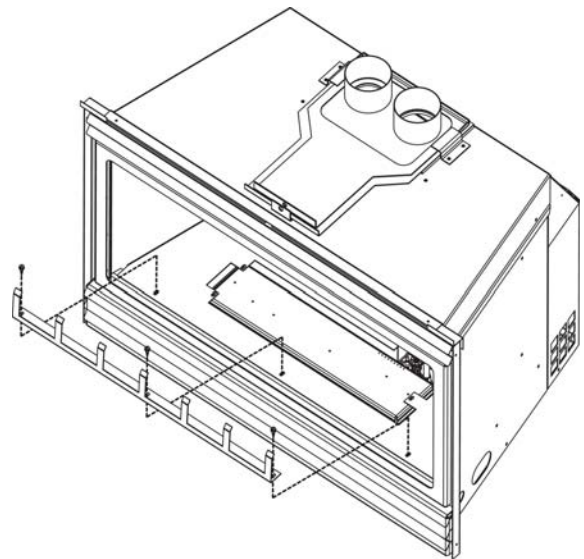
The upper louvres must be removed to allow the door to be opened or closed. To access the lower door latch, open the valve control door. Release the top and bottom door latches, located at the right side of the door.

**NOTE:** The protective wrap on plated parts is best removed when the assembly is at room temperature but this can be improved if the assembly is warmed, using a hair dryer or similar heat source.



## 4.3 GRATE INSTALLATION

- A. Remove the 3 screws from the location shown in the base of the firebox.
- B. Secure the grate to the firebox base using the 3 screws removed.



## 4.4 LOG PLACEMENT

**! WARNING**

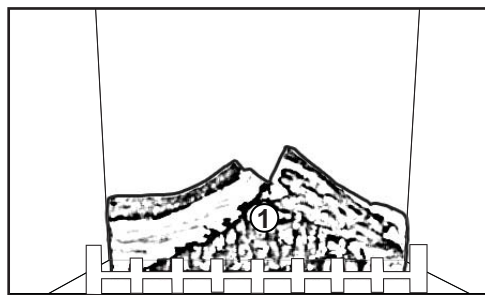
**FAILURE TO POSITION THE LOGS IN ACCORDANCE WITH THESE DIAGRAMS OR FAILURE TO USE ONLY LOGS SPECIFICALLY APPROVED WITH THIS APPLIANCE MAY RESULT IN PROPERTY DAMAGE OR PERSONAL INJURY.**

**LOGS MUST BE PLACED IN THEIR EXACT LOCATION IN THE APPLIANCE. DO NOT MODIFY THE PROPER LOG POSITIONS, SINCE APPLIANCE MAY NOT FUNCTION PROPERLY AND DELAYED IGNITION MAY OCCUR.**

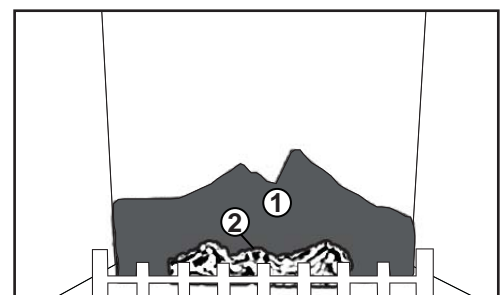
**THE LOGS ARE FRAGILE AND SHOULD BE HANDLED WITH CARE.**

76.1A

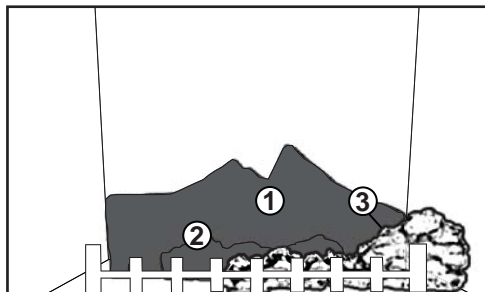
*PHAZER™* logs and glowing embers exclusive to Napoleon, provide a unique and realistic glowing effect that is different in every installation. Take the time to carefully position the glowing embers for a maximum glowing effect. Log colours may vary. During the initial use of the appliance, the colours will become more uniform as colour pigments burn in during the heat activated curing process.



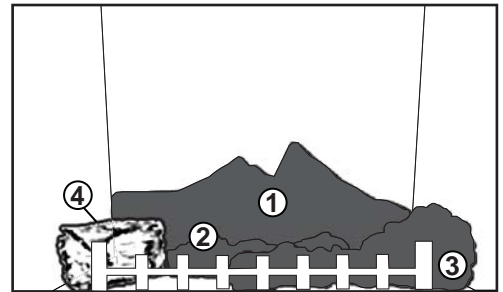
- A.** Place the rear log so that it rests against the two log brackets on the back wall of the firebox. The air space between the log and firebox back is used to facilitate combustion air flow.



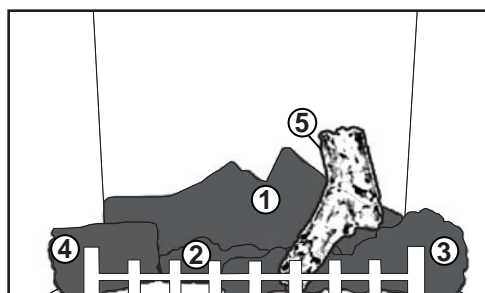
- B.** Move the charcoal strip into position lining up the holes in the bottom with the studs located on the burner on the burner. Ensure strip sits flat on the burner.



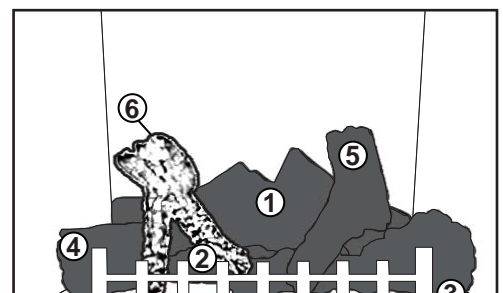
- C.** Position the front right log just behind the grate lining up the holes in the bottom with the studs located on the log support.



- D.** Move the left log into position lining up the hole in the bottom with the stud on the left side of the log support.



- E.** Line up the square hole in the right crossover with the square post located on the right side of log and install as shown.



- F.** Line up the rectangular hole in the left crossover with the rectangular post located on the left side of log and install as shown.

#### 4.5 OPTIONAL CHARCOAL EMBERS

Randomly place the charcoal embers along the front and sides of the log support tray in a realistic manner.

**Fine dust found in the bottom of the bag should not be used.**

**NOTE: Charcoal embers are not to be placed on the burner.**

---

32.1

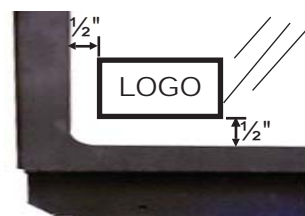
#### 4.6 GLOWING EMBERS

Tear the embers into pieces and place along the front row of ports covering all of the burner area in front of the small logs. Care should be taken to shred the embers into thin, small irregular pieces as only the exposed edges of the fibre hairs will glow. **The ember material will only glow when exposed to direct flame; however, care should be taken to not block the burner ports.**

Blocked burner ports can cause an incorrect flame pattern, carbon deposits and delayed ignition. **PHAZER™** logs glow when exposed to direct flame. Use only certified "glowing embers" and **PHAZER™** logs available from your authorized dealer / distributor.

#### 4.7 LOGO PLACEMENT

Remove the backing of the logo supplied and place on the glass viewing door, as indicated.



---

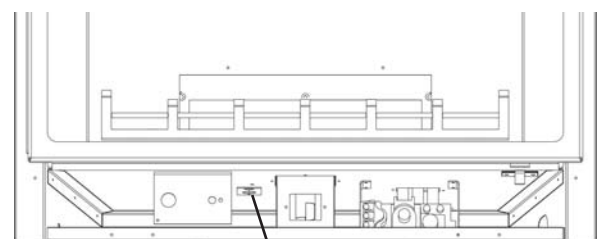
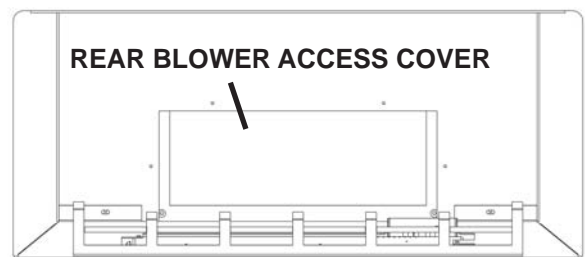
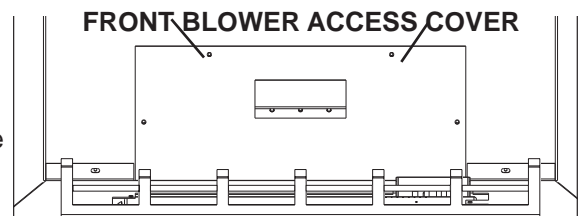
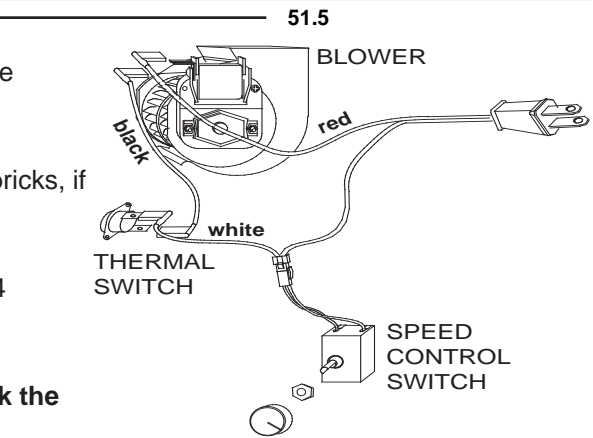
97.1

## 5.0 BLOWER REPLACEMENT

<b>! WARNING</b>
<b>RISK OF FIRE AND ELECTRICAL SHOCK.</b>
<b>TURN OFF THE GAS AND ELECTRICAL POWER BEFORE SERVICING THIS APPLIANCE.</b>
<b>USE ONLY WOLF STEEL APPROVED OPTIONAL ACCESSORIES AND REPLACEMENT PARTS WITH THIS APPLIANCE. USING NON-LISTED ACCESSORIES (BLOWERS, DOORS, LOUVRES, TRIMS, GAS COMPONENTS, VENTING COMPONENTS, ETC.) COULD RESULT IN A SAFETY HAZARD AND WILL VOID THE WARRANTY AND CERTIFICATION.</b>
<b>ENSURE THAT THE FAN'S POWER CORD IS NOT IN CONTACT WITH ANY SURFACE OF THE APPLIANCE TO PREVENT ELECTRICAL SHOCK OR FIRE DAMAGE. DO NOT RUN THE POWER CORD BENEATH THE APPLIANCE.</b>
<b>THE WIRE HARNESS PROVIDED IN THE BLOWER KIT IS A UNIVERSAL HARNESS. WHEN INSTALLED, ENSURE THAT ANY EXCESS WIRE IS CONTAINED, PREVENTING IT FROM MAKING CONTACT WITH MOVING OR HOT OBJECTS.</b>

- A. Turn off the electrical power and the gas supply to the appliance.
- B. Open the glass door and remove the logs and fibre bricks, if installed.
- C. Remove the front blower access cover held on with 4 screws.
- D. Remove the rear blower access cover. **NOTE: Check the blower gasket for damage. Replace if damaged.**
- E. Disconnect the two blower wires. Remove the blower from the mounting plate and replace. For thermal switch replacement: Remove the mounting bracket secured to the underside of the burner base. Remove the thermal switch from the bracket and replace.
- F. Reconnect the two wires. Re-install the blower gasket. Reattach the blower mounting plate and blower access covers. Replace the logs. Close the fire viewing door.
- G. Turn the gas supply and electricity back on. Because the blower is thermally activated, when turned on, it will automatically start approximately 5-15 minutes after lighting the appliance and will run for approximately 30-45 minutes after the appliance has been turned off. Use of the fan increases the output of heat.

Drywall dust will penetrate into the blower bearings causing irreparable damage and must be prevented from coming into contact with the blower or its compartment. Any damage resulting from this condition is not covered by the warranty policy.



## 6.0 OPERATION

**! WARNING**

**IF YOU DO NOT FOLLOW THESE INSTRUCTIONS EXACTLY, A FIRE OR EXPLOSION MAY RESULT CAUSING PROPERTY DAMAGE, PERSONAL INJURY OR LOSS OF LIFE.**

**ALWAYS LIGHT THE PILOT WHETHER FOR THE FIRST TIME OR IF THE GAS SUPPLY HAS RUN OUT WITH THE GLASS DOOR OPENED OR REMOVED.**

Ensure that a continuous gas flow is at the burner before installing the door. When lit for the first time, the appliance will emit an odor for a few hours. This is a normal temporary condition caused by the "burn-in" of paints and lubricants used in the manufacturing process and will not occur again.

After extended periods of non-operation such as following a vacation or a warm weather season, the appliance may emit a slight odor for a few hours. This is caused by dust particles in the heat exchanger burning off. In both cases, open a window to sufficiently ventilate the room.

**FOR YOUR SAFETY READ BEFORE LIGHTING:**

- A. This appliance is equipped with a pilot which must be lit by hand while following these instructions exactly.
- B. Before operating smell all around the appliance area for gas and next to the floor because some gas is heavier than air and will settle on the floor.
- C. Use only your hand to turn the gas control knob. Never use tools. If the knob will not turn by hand, do not try to repair it. Call a qualified service technician. Force or attempted repair may result in a fire or explosion.
- D. Do not use this appliance if any part has been under water. Immediately call a qualified service technician to inspect the appliance and replace any part of the control system and any gas control which has been under water.




**WHAT TO DO IF YOU SMELL GAS:**

- Turn off all gas to the appliance.
- Open windows.
- Do not try to light any appliance.
- Do not touch any electric switch; do not use any phone in your building.
- Immediately call your gas supplier from a neighbor's phone. Follow the gas supplier's instructions.
- If you cannot reach your gas supplier, call the fire department.


**LIGHTING INSTRUCTIONS:**

**WARNING: The gas valve has an interlock device which will not allow the pilot burner to be lit until the thermocouple has cooled. Allow approximately 60 seconds for the thermocouple to cool.**

When lighting and re-lighting, the gas knob cannot be turned from pilot to off unless the knob is depressed slightly.

1. Stop! Read the above safety information on this label.
2. Turn off all electric power to the appliance.
3. Turn the gas knob clockwise  to off.
4. Wait five (5) minutes to clear out any gas. If you smell gas including near the floor. Stop! Follow "B" in the above safety information on this label. If you don't smell gas go the next step.
5. Turn gas knob counter-clockwise  to pilot.
6. Depress slightly and hold gas knob while lighting the pilot with the push button igniter. Keep knob depressed for one minute, then release. If pilot does not continue to burn, repeat steps 3 through 5.
7. With pilot lit, depress and turn gas knob counter-clockwise  to on.
8. If equipped with remote on-off switch / thermostat, main burner may not come on when you turn valve to on. Remote switch must be in the on position to ignite burner.
9. Turn on all electric power to the appliance.

**TO TURN OFF GAS**

1. Turn off all electric power to the appliance if service is to be performed.
2. Push in gas control knob slightly and turn clockwise  to off. Do not force.

**TURN THE CONTROL VALVE TO THE OFF POSITION WHEN HEATER IS NOT IN USE.**



# 7.0 ADJUSTMENTS

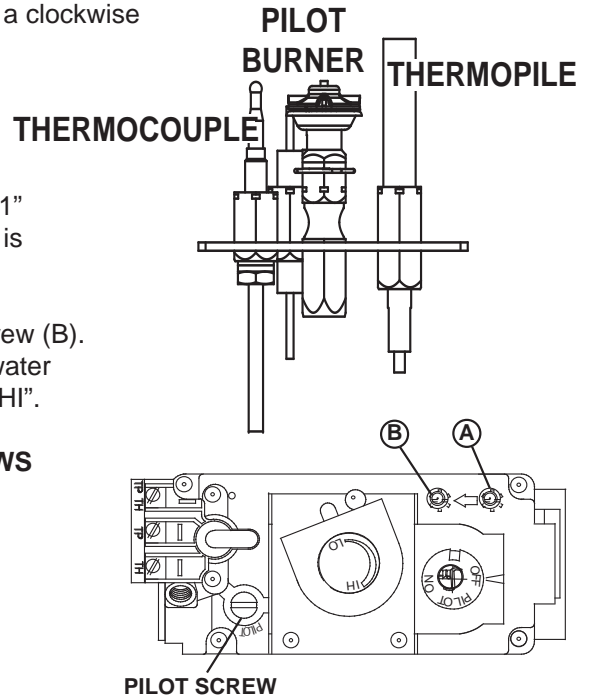
## 7.1 PILOT BURNER ADJUSTMENT

Adjust the pilot screw to provide properly sized flame. Turn in a clockwise direction to reduce the gas flow.

Inlet pressure can be checked by turning screw (A) counter-clockwise until loosened and then placing pressure gauge tubing over the test point. Gauge should read 7" (minimum 4.5") water column for natural gas or 13" (11" minimum) water column for propane. Check that main burner is operating on "HI".

Outlet pressure can be checked the same as above using screw (B). Gauge should read 3.5" water column for natural gas or 10" water column for propane. Check that main burner is operating on "HI".

**AFTER TAKING PRESSURE READINGS, TIGHTEN SCREWS FIRMLY TO SEAL. DO NOT OVER TORQUE. LEAK TEST.**



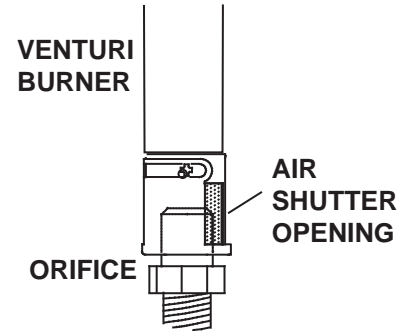
39.3

## 7.2 VENTURI ADJUSTMENT

This appliance has an air shutter that has been factory set open according to the chart below:

Regardless of venturi orientation, closing the air shutter will cause a more yellow flame, but can lead to carboning. Opening the air shutter will cause a more blue flame, but can cause flame lifting from the burner ports. The flame may not appear yellow immediately; allow 15 to 30 minutes for the final flame colour to be established.

**AIR SHUTTER ADJUSTMENT MUST ONLY BE DONE BY A QUALIFIED INSTALLER!**

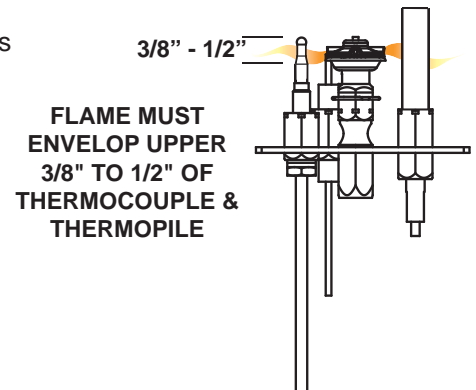


49.1

GDI-30	
NG	1/4"
LP	3/8"

## 7.3 FLAME CHARACTERISTICS

It's important to periodically perform a visual check of the pilot and burner flames. Compare them to the illustrations provided. If any flames appear abnormal call a service person.



54.2

## 8.0 MAINTENANCE

<b>! WARNING</b>
<b>TURN OFF THE GAS AND ELECTRICAL POWER BEFORE SERVICING THE APPLIANCE.</b>
<b>APPLIANCE MAY BE HOT, DO NOT SERVICE UNTIL APPLIANCE HAS COOLED.</b>
<b>DO NOT USE ABRASIVE CLEANERS.</b>

**CAUTION:** Label all wires prior to disconnection when servicing controls. Wiring errors can cause improper and dangerous operation. Verify proper operation after servicing. This appliance and its venting system should be inspected before use and at least annually by a qualified service person. The appliance area must be kept clear and free of combustible materials, gasoline or other flammable vapors and liquids. The flow of combustion and ventilation air must not be obstructed.

1. In order to properly clean the burner and pilot assembly, remove the logs, rocks and/or glass to expose both assemblies.
2. Keep the control compartment, media, burner, air shutter opening and the area surrounding the logs clean by vacuuming or brushing, at least once a year.
3. Check to see that all burner ports are burning. Clean out any of the ports which may not be burning or are not burning properly.
4. Check to see that the pilot flame is large enough to engulf the flame sensor and/or thermocouple / thermopile as well as reaches the burner.
5. Replace the cleaned logs, rocks or glass. Failure to properly position the media may cause carboning which can be distributed in the surrounding living area.
6. Check to see that the main burner ignites completely on all openings when turned on. A 5 to 10 second total light-up period is satisfactory. If ignition takes longer, consult your local authorized dealer / distributor.
7. Check that the gasketing on the sides, top and bottom of the door is not broken or missing. Replace if necessary.
8. If for any reason the vent air intake system is disassembled, re-install and re-seal per the instructions provided for the initial installation.

---

 40.1

### 8.1 CARE OF GLASS

**DO NOT CLEAN GLASS WHEN HOT! DO NOT USE ABRASIVE CLEANERS TO CLEAN GLASS.**

Buff lightly with a clean dry soft cloth. Clean both sides of the glass after the first 10 hours of operation with a recommended fireplace glass cleaner. Thereafter clean as required. If the glass is not kept clean permanent discoloration and / or blemishes may result.

<b>! WARNING</b>	
	<p><b>HOT GLASS WILL CAUSE BURNS.</b></p> <p><b>DO NOT TOUCH GLASS UNTIL COOLED.</b></p> <p><b>NEVER ALLOW CHILDREN TO TOUCH GLASS.</b></p>

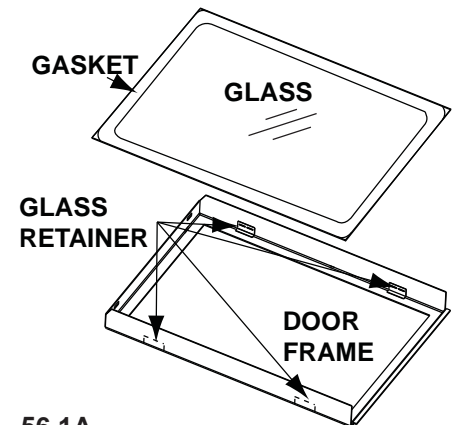
---

 5.1

## 8.2 DOOR GLASS REPLACEMENT

<b>! WARNING</b>
<b>DO NOT USE SUBSTITUTE MATERIALS.</b>
<b>GLASS MAY BE HOT, DO NOT TOUCH GLASS UNTIL COOLED.</b>
<b>CARE MUST BE TAKEN WHEN REMOVING AND DISPOSING OF ANY BROKEN DOOR GLASS OR DAMAGED COMPONENTS. BE SURE TO VACUUM UP ANY BROKEN GLASS FROM INSIDE THE APPLIANCE BEFORE OPERATION.</b>
<b>DO NOT STRIKE, SLAM OR SCRATCH GLASS. DO NOT OPERATE APPLIANCE WITH GLASS REMOVED, CRACKED, BROKEN OR SCRATCHED.</b>

- A. Place the door frame face down careful not to scratch the paint.
- B. Center the gasketed glass inside the door frame with the thick side of the gasket facing up.
- C. Bend the glass retainers located along the edge of the door frame over the gasket holding the glass in place. Careful not to break the glass.



56.1A

**NOTE:** Care must be taken when removing and disposing of any broken glass or damaged components. Be sure to vacuum up any broken glass from inside the appliance before operation.

## 9.0 REPLACEMENTS

### WARNING

**FAILURE TO POSITION THE PARTS IN ACCORDANCE WITH THIS MANUAL OR FAILURE TO USE ONLY PARTS SPECIFICALLY APPROVED WITH THIS APPLIANCE MAY RESULT IN PROPERTY DAMAGE OR PERSONAL INJURY.**

**\*\* THIS IS A FAST ACTING THERMOCOUPLE. IT IS AN INTEGRAL SAFETY COMPONENT. REPLACE ONLY WITH A FAST ACTING THERMOCOUPLE SUPPLIED BY WOLF STEEL LTD.**

Contact your dealer or the factory for questions concerning prices and policies on replacement parts. Normally all parts can be ordered through your Authorized dealer / distributor.

**FOR WARRANTY REPLACEMENT PARTS, A PHOTOCOPY OF THE ORIGINAL INVOICE WILL BE REQUIRED TO HONOUR THE CLAIM.**

When ordering replacement parts always give the following information:

- Model & Serial Number of appliance
- Installation date of appliance
- Part number
- Description of part
- Finish

**\* IDENTIFIES ITEMS WHICH ARE NOT ILLUSTRATED. FOR FURTHER INFORMATION, CONTACT YOUR AUTHORIZED DEALER.**

41.2

### COMPONENTS

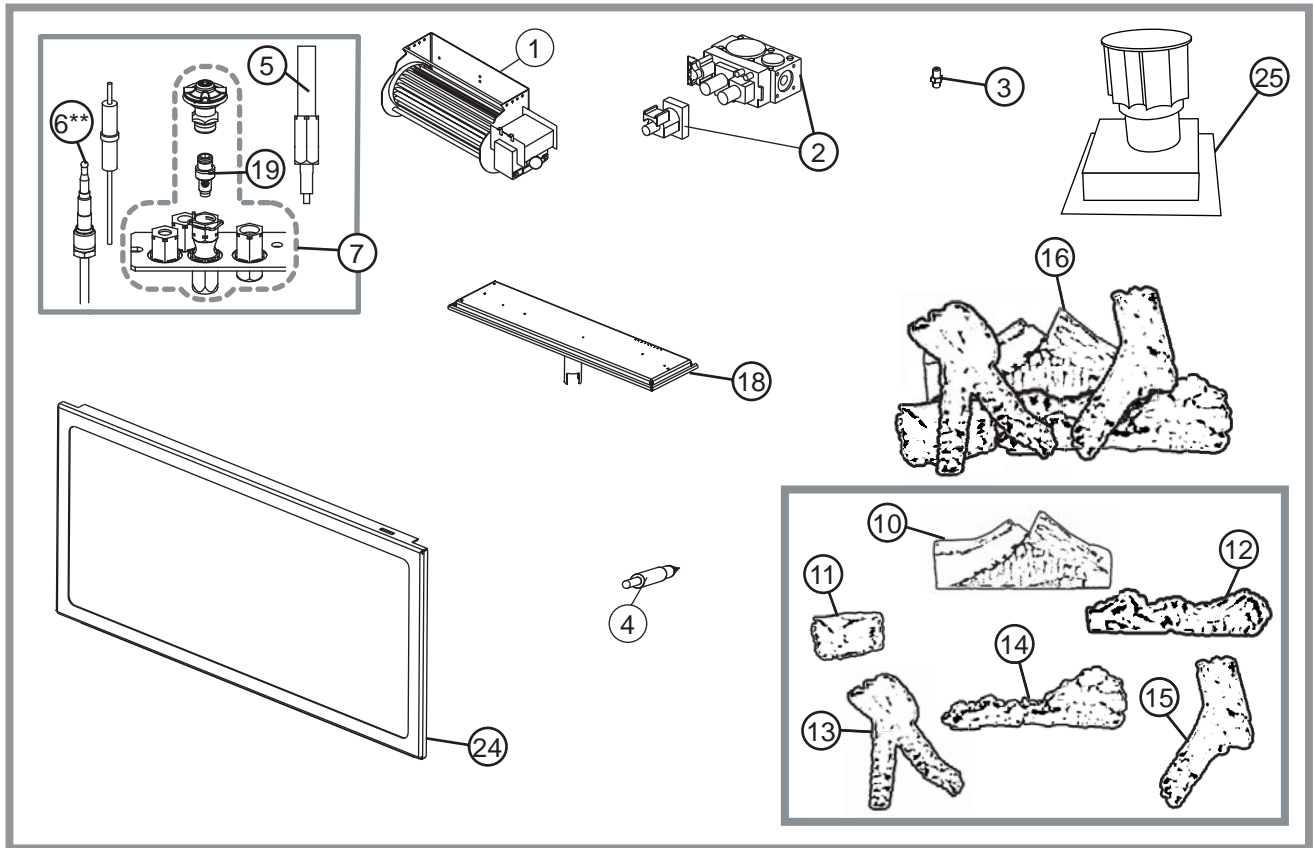
REF NO.	PART NO.	DESCRIPTION
1	GZ552	REPLACEMENT BLOWER
2	W725-0035	NATURAL GAS VALVE
2	W725-0026	PROPANE GAS VALVE
3	W456-0043	#43 NATURAL GAS BURNER ORIFICE
3	W456-0054	#54 PROPANE GAS BURNER ORIFICE
4	W357-0001	PIEZO IGNITER
5	W680-0004	THERMOPILE
6	W680-0005	THERMOCOUPLE**
7	W010-0801	NATURAL GAS PILOT ASSEMBLY
7	W010-0800	PROPANE GAS PILOT ASSEMBLY
8*	W690-0002	THERMAL SENSING SWITCH
9*	W660-0009	BURNER ON/OFF SWITCH
10	W135-0378	REAR LOG
11	W135-0381	LEFT LOG
12	W135-0383	CHARCOAL STRIP
13	W135-0380	LEFT CROSSOVER LOG
14	W135-0382	FRONT RIGHT LOG
15	W135-0379	RIGHT CROSSOVER LOG
16	GL-667	LOG SET
17*	W361-0016	GLOWING EMBERS
18	W010-1046	BURNER ASSEMBLY
19	W455-0070	NATURAL GAS PILOT INJECTOR
19	W455-0068	PROPANE GAS PILOT INJECTOR
20*	W385-0334	NAPOLEON LOGO
21*	W562-0008	GLASS GASKET
22*	KB-35	VARIABLE SPEED SWITCH
23*	W010-1095	GLASS W/ GASKET
24	W010-1042	DOOR, GLASS & GASKET ASSEMBLY

## TERMINAL KITS

REF NO.	PART NO.	DESCRIPTION
25*	GDI-226	TERMINAL

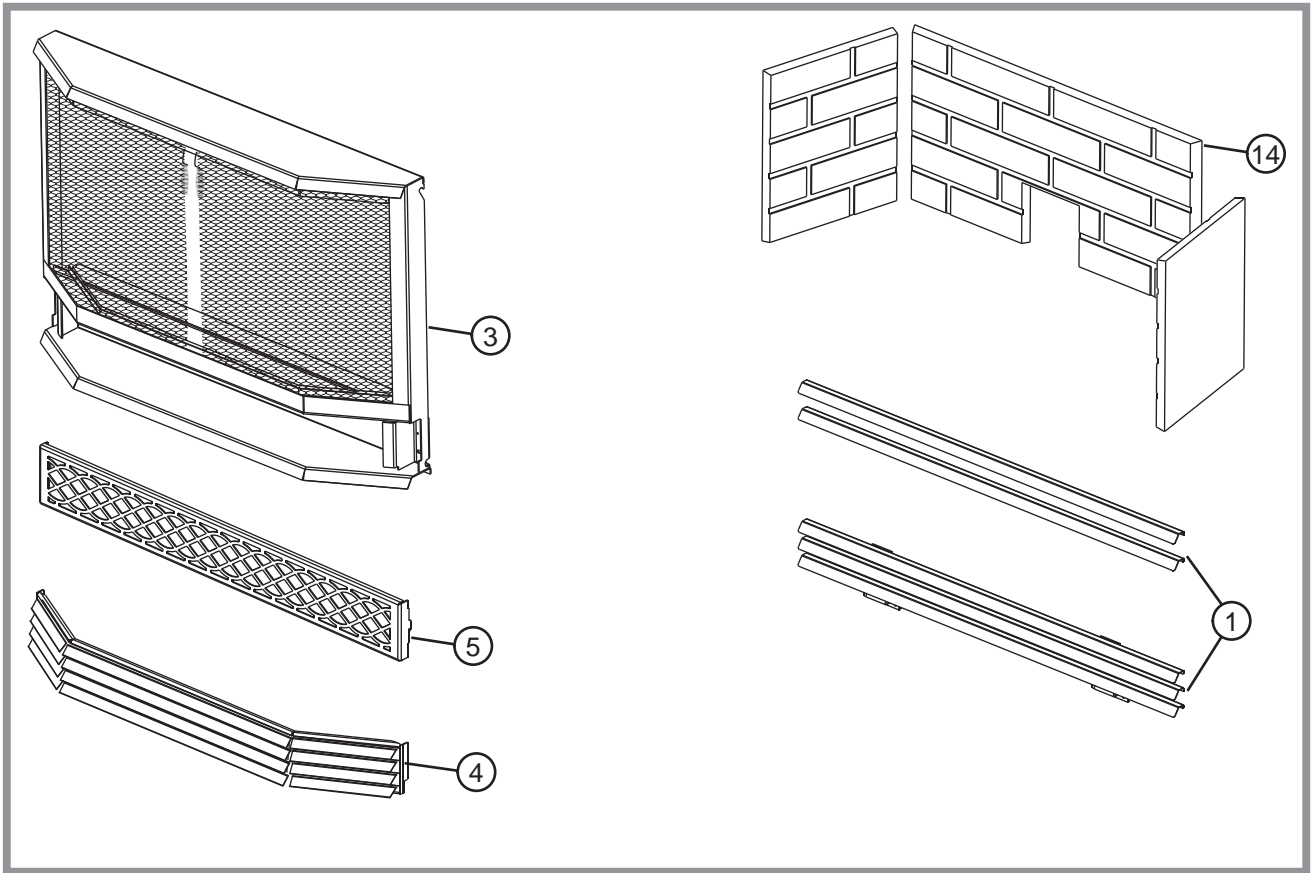
## VENT KITS

REF NO.	PART NO.	DESCRIPTION
<b>1-2" &amp; 1-3" DOUBLE PLY ALUMINUM LINER-INLET AND EXHAUST &amp; 2-3" TO 2" REDUCER:</b>		
26*	GDI-2320KT	VENT KIT 20FT
26*	GDI-2325KT	VENT KIT 25FT
26*	GDI-2335KT	VENT KIT 35FT
<b>2-3" DOUBLE PLY ALUMINUM LINER-INLET AND EXHAUST:</b>		
27*	GDI-320KT	VENT KIT 20FT
27*	GDI-325KT	VENT KIT 25 FT
27*	GDI-335KT	VENT KIT 35 FT



## ACCESSORIES

REF NO.	PART NO.	DESCRIPTION
1	GI-1LK	BLACK UPPER & LOWER LOUVRES
1	GI-1LPB	BLACK UPPER & POLISHED BRASS LOWER LOUVRES
1	GI-1LAB	BLACK UPPER & ANTIQUE BRASS LOWER LOUVRES
1	GI-1LSS	BLACK UPPER & BRUSHED STAINLESS STEEL LOWER LOUVRES
1	GI-OIG	GOLD PLATED UPPER & LOWER LOUVRES
2	GI-OIK	BLACK UPPER & LOWER INSET W/ POLISHED BRASS LOWER DOOR TRIM
2	GI-OIG	GOLD PLATED UPPER & LOWER INSET
3	GI30B-KT	BAY FRONT COMPLETE WITH PULL SCREEN
4	GIB-1LK	BLACK LOUVRES
4	GIB-1LPB	POLISHED BRASS LOWER LOUVRES
4	GIB-1LAB	ANTIQUÉ BRASS LOWER LOUVRES
4	GIB-1LSS	BRUSHED STAINLESS STEEL LOWER LOUVRES
4	GIB-1LG	GOLD PLATED LOWER LOUVRES
6*	GI-900K6	6" BLACK WITH MARQUIS TRIM
6*	GI-900B6	6" POLISHED BRASS WITH MARQUIS TRIM
6*	GI-900AB6	6" ANTIQUE BRASS WITH MARQUIS TRIM
6*	GI-900SS6	6" BRUSHED STAINLESS STEEL BLACK TRIM
6*	GI-909S6	6" PORCELAIN ALMOND WITH MARQUIS TRIM
6*	GI-909K6	6" PORCELAIN BLACK WITH MARQUIS TRIM
6*	GI-909F6	6" PORCELAIN GREEN WITH MARQUIS TRIM
7*	GI-900K9	9" BLACK WITH MARQUIS TRIM
7*	GI-900B9	9" POLISHED BRASS WITH MARQUIS TRIM
7*	GI-900AB9	9" ANTIQUE BRASS WITH MARQUIS TRIM
7*	GI-900SS9	9" BRUSHED STAINLESS STEEL WITH BLACK TRIM
7*	GI-909S9	9" PORCELAIN ALMOND WITH MARQUIS TRIM
7*	GI-909K9	9" PORCELAIN BLACK WITH MARQUIS TRIM
7*	GI-909F9	9" PORCELAIN GREEN WITH MARQUIS TRIM
8*	CISK	CAST SURROUND PAINTED BLACK
9*	GICSK	ARCHED CAST IRON SURROUND
10*	W600-0081	MILLIVOLT THERMOSTAT
11*	GD-660	REMOTE WALL SWITCH WITH 20" WIRE
12*	W660-0026	TIMER, BATTERY OPERATED
13*	ANI-K	ANDIRONS - BLACK
13*	ANI-G	ANDIRONS - GOLD PLATED
14	GI829KT	DECORATIVE BRICK PANELS
15*	GI-910K	6" BEVELLED FLASHING - BLACK
16*	GI-942K	TRIM FOR BEVELLED FLASHING - BLACK
16*	GI-942B	TRIM FOR BEVELLED FLASHING - POLISHED BRASS
17*	GI-RB	RISER BOX - PAINTED BLACK
18*	W175-0218	CONVERSION KIT - LP-NG
18*	W175-0216	CONVERSION KIT - NG-LP
19*	F40	ON/OFF REMOTE
20*	F50	TERMOSTATIC REMOTE



# 24 10.0 TROUBLESHOOTING

## ! WARNING

**ALWAYS LIGHT THE PILOT WHETHER FOR THE FIRST TIME OR IF THE GAS SUPPLY HAS RAN OUT, WITH THE GLASS DOOR OPEN OR REMOVED.**

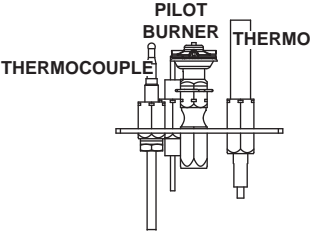
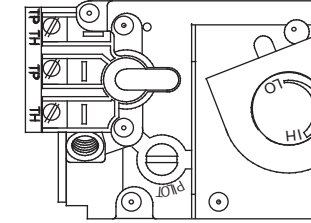
**TURN OFF THE GAS AND ELECTRICAL POWER BEFORE SERVICING THE APPLIANCE.**

**APPLIANCE MAY BE HOT, DO NOT SERVICE UNTIL APPLIANCE HAS COOLED.**

**DO NOT USE ABRASIVE CLEANERS.**

SYMPTOM	PROBLEM	TEST SOLUTION
Main burner goes out; pilot stays on.	Pilot flame is not large enough or not engulfing the thermopile.	<ul style="list-style-type: none"> <li>- Turn up the pilot flame.</li> <li>- Replace pilot assembly.</li> </ul>
	Thermopile shorting.	<ul style="list-style-type: none"> <li>- Clean thermopile connection to the valve. Reconnect.</li> <li>- Replace thermopile / valve.</li> </ul>
	Remote wall switch wire is too long; too much resistance in the system.	<ul style="list-style-type: none"> <li>- Shorten wire to correct length or wire gauge.</li> </ul>
	Faulty thermostat or switch.	<ul style="list-style-type: none"> <li>- Replace.</li> </ul>
Main burner goes out; pilot goes out.	Refer to "MAIN BURNER GOES OUT; PILOT STAYS ON"	
	Vent is blocked	<ul style="list-style-type: none"> <li>- Check for vent blockage.</li> </ul>
	Vent is re-circulating	<ul style="list-style-type: none"> <li>- Check joint seals and installation</li> </ul>
	Flexible vent has become disconnected from appliance.	<ul style="list-style-type: none"> <li>- Re-attach to appliance.</li> <li>- Cap was not replaced.</li> </ul>
Pilot goes out when the gas knob is released. <b>The gas valve has an interlock device which will not allow the pilot burner to be lit until the thermocouple has cooled. Allow approximately 60 seconds for the thermocouple to cool.</b>	System is not correctly purged	<ul style="list-style-type: none"> <li>- Purge the gas line.</li> </ul>
	Out of propane gas.	<ul style="list-style-type: none"> <li>- Fill the tank.</li> </ul>
	Pilot flame is not large enough.	<ul style="list-style-type: none"> <li>- Turn up the pilot flame.</li> </ul>
	Pilot flame is not engulfing the thermocouple	<ul style="list-style-type: none"> <li>- Gently twist the pilot head to improve the flame pattern around the thermocouple.</li> </ul>
	Thermocouple shorting / faulty.	<ul style="list-style-type: none"> <li>- Loosen and tighten thermocouple.</li> <li>- Clean thermocouple and valve connection.</li> <li>- Replace thermocouple.</li> <li>- Replace valve.</li> </ul>
Pilot burning; no gas to main burner; gas knob is on 'HI'; wall switch / thermostat is on.	Thermostat or switch is defective	<ul style="list-style-type: none"> <li>- Connect a jumper wire across the wall switch terminals; if main burner lights, replace switch / thermostat.</li> </ul>
	Wall switch wiring is defective.	<ul style="list-style-type: none"> <li>- Disconnect the switch wires &amp; connect a jumper wire across terminals 1 &amp; 3; if the main burner lights, check the wires for defects and/or replace wires.</li> </ul>
	Main burner orifice is plugged.	<ul style="list-style-type: none"> <li>- Remove stoppage in orifice.</li> </ul>
	Faulty valve.	<ul style="list-style-type: none"> <li>- Replace.</li> </ul>
Pilot goes out while standing; Main burner is in 'OFF' position.	Gas piping is undersized.	<ul style="list-style-type: none"> <li>- Turn on all gas appliances and see if pilot flame flutters, diminishes or extinguishes, especially when main burner ignites. Monitor appliance supply working pressure.</li> <li>- Check if supply piping size is to code. Correct all undersized piping.</li> </ul>
Main burner flame is a blue, lazy, transparent flame.	Blockage in vent.	<ul style="list-style-type: none"> <li>- Remove blockage. In really cold conditions, ice buildup may occur on the terminal and should be removed as required. To minimize this from happening again, it is recommended that the vent lengths that pass through unheated spaces (attics, garages, crawl spaces) be wrapped with an insulated mylar sleeve. Prevent sleeve from sagging. Contact your local authorized dealer for more information.</li> </ul>



SYMPTOM	PROBLEM	TEST SOLUTION
Pilot will not light.	No spark at pilot burner.	<ul style="list-style-type: none"> <li>- Check if pilot can be lit by a match.</li> <li>- Check that the wire is connected to the push button igniter.</li> <li>- Check if the push button igniter needs tightening.</li> <li>- Replace the wire if the wire insulation is broken or frayed.</li> <li>- Replace the electrode if the ceramic insulator is cracked or broken.</li> <li>- Replace the push button ignitor</li> </ul>
	Out of propane gas.	<ul style="list-style-type: none"> <li>- Fill the tank.</li> </ul>
	Spark gap is incorrect.	<ul style="list-style-type: none"> <li>- Spark gap should be 0.150" to 0.175" (5/32" to 11/64" approx.) from the electrode tip and the pilot burner. To ensure proper electrode location, tighten securing nut (finger tight plus 1/4 turn).</li> </ul>
	No gas at the pilot burner.	<ul style="list-style-type: none"> <li>- Check that the manual valve is turned on.</li> <li>- Check the pilot orifice for blockage.</li> <li>- Replace the valve.</li> <li>- Call the gas distributor.</li> </ul>
Flames are consistently too large or too small. Carboning occurs.	Unit is over-fired or underfired.	<ul style="list-style-type: none"> <li>- Check pressure readings:                             <ul style="list-style-type: none"> <li>- Inlet pressure can be checked by turning screw (A) counter-clockwise 2 or 3 turns and then placing pressure gauge tubing over the test point. Gauge should read 7" (minimum 4.5") water column for natural gas or 13" (minimum 11") water column for propane. Check with main burner is operating on 'HI'.</li> <li>- Outlet pressure can be checked the same as above using screw (B). Gauge should read 3.5" water column for natural gas or 10" water column for propane. Check that main burner is operating on 'HI'.</li> </ul> </li> <li>- AFTER TAKING PRESSURE READINGS, BE SURE TO TURN SCREWS CLOCKWISE FIRMLY TO RESEAL. DO NOT OVER TORQUE.</li> <li>- Leak test with a soap and water solution.</li> </ul>
	Flames are very aggressive.	<ul style="list-style-type: none"> <li>- Ensure the mechanical means of securing the door is providing a tight seal.</li> </ul>
	<p>Door is ajar.</p> <hr/> <p>Air shutter has become blocked.</p> <p>Flame is impinging on the logs or combustion chamber.</p>	<ul style="list-style-type: none"> <li>- Ensure air shutter opening is free of lint or other obstructions.</li> <li>- Check that the logs are correctly positioned.</li> <li>- Open air shutter to increase the primary air.</li> <li>- Check the input rate: check the manifold pressure and orifice size as specified by the rating plate values.</li> <li>- Check that the door gasketing is not broken or missing and that the seal is tight.</li> <li>- Check that both vent liners are free of holes and well sealed at all joints.</li> <li>- Check that minimum rise per foot has been adhered to for any horizontal venting.</li> </ul>
White / grey film forms.	Sulphur from fuel is being deposited on glass, logs or combustion chamber surfaces.	<ul style="list-style-type: none"> <li>- Clean the glass with a recommended gas appliance glass cleaner.</li> <li>- DO NOT CLEAN GLASS WHEN HOT.</li> <li>- If deposits are not cleaned off regularly, the glass may become permanently marked.</li> </ul>
Exhaust fumes smelled in room, headaches.	Appliance is spilling.	<ul style="list-style-type: none"> <li>- Ensure exhaust bracket gasket seal.</li> <li>- Check door seal and relief flap seal.</li> <li>- Check for chimney blockage.</li> <li>- Check that chimney is installed to building code.</li> <li>- Room is in negative pressure; increase fresh air supply.</li> <li>- Check cap gasket on the flue pipe assembly.</li> </ul>
Remote wall switch is in 'OFF' position; main burner comes on when gas knob is turned to 'ON' position.	Wall switch is mounted upside down.	<ul style="list-style-type: none"> <li>- Reverse.</li> </ul>
	Remote wall switch is grounding.	<ul style="list-style-type: none"> <li>- Replace.</li> </ul>
	Remote wall switch wire is grounding.	<ul style="list-style-type: none"> <li>- Check for ground (short); repair ground or replace wire.</li> </ul>
	Faulty valve.	<ul style="list-style-type: none"> <li>- Replace.</li> </ul>

## 11.0 WARRANTY

NAPOLEON® products are manufactured under the strict Standard of the world recognized ISO 9001 : 2008 Quality Assurance Certificate.

NAPOLEON® products are designed with superior components and materials assembled by trained craftsmen who take great pride in their work. The burner and valve assembly are leak and test-fired at a quality test station. The complete appliance is again thoroughly inspected by a qualified technician before packaging to ensure that you, the customer, receives the quality product that you expect from NAPOLEON®.

### NAPOLEON® GAS APPLIANCE PRESIDENT'S LIFETIME LIMITED WARRANTY

The following materials and workmanship in your new NAPOLEON® gas appliance are warranted against defects for as long as you own the appliance. This covers: combustion chamber, heat exchanger, stainless steel burner, phazer™ logs and embers, rocks, ceramic glass (thermal breakage only), gold plated parts against tarnishing, porcelainized enameled components and aluminum extrusion trims.\*

Electrical (110V and millivolt) components and wearable parts such as blowers, gas valves, thermal switch, switches, wiring, remote controls, ignitor, gasketing, and pilot assembly are covered and NAPOLEON® will provide replacement parts free of charge during the first year of the limited warranty.\*

Labour related to warranty repair is covered free of charge during the first year. Repair work, however, requires the prior approval of an authorized company official. Labour costs to the account of NAPOLEON® are based on a predetermined rate schedule and any repair work must be done through an authorized NAPOLEON® dealer.

\* Construction of models vary. Warranty applies only to components included with your specific appliance.

### CONDITIONS AND LIMITATIONS

NAPOLEON® warrants its products against manufacturing defects to the original purchaser only. Registering your warranty is not necessary. Simply provide your proof of purchase along with the model and serial number to make a warranty claim. NAPOLEON® reserves the right to have its representative inspect any product or part thereof prior to honouring any warranty claim. Provided that the purchase was made through an authorized NAPOLEON® dealer your appliance is subject to the following conditions and limitations:

Warranty coverage begins on the date of original installation.

This factory warranty is non-transferable and may not be extended whatsoever by any of our representatives.

The gas appliance must be installed by a licensed, authorized service technician or contractor. Installation must be done in accordance with the installation instructions included with the product and all local and national building and fire codes.

This limited warranty does not cover damages caused by misuse, lack of maintenance, accident, alterations, abuse or neglect and parts installed from other manufacturers will nullify this warranty.

This limited warranty further does not cover any scratches, dents, corrosion or discoloring caused by excessive heat, abrasive and chemical cleaners nor chipping on porcelain enamel parts, mechanical breakage of PHAZER™ logs and embers.

This warranty extends to the repair or replacement of warranted parts which are defective in material or workmanship provided that the product has been operated in accordance with the operation instructions and under normal conditions.

After the first year, with respect to this President's Lifetime Limited Warranty, NAPOLEON® may, at its discretion, fully discharge all obligations with respect to this warranty by refunding to the original warranted purchaser the wholesale price of any warranted but defective part(s).

NAPOLEON® will not be responsible for installation, labour or any other expenses related to the reinstallation of a warranted part and such expenses are not covered by this warranty.

Notwithstanding any provisions contained in the President's Lifetime Limited Warranty, NAPOLEON'S responsibility under this warranty is defined as above and it shall not in any event extend to any incidental, consequential or indirect damages.

This warranty defines the obligations and liability of NAPOLEON® with respect to the NAPOLEON® gas appliance and any other warranties expressed or implied with respect to this product, its components or accessories are excluded.

NAPOLEON® neither assumes, nor authorizes any third party to assume, on its behalf, any other liabilities with respect to the sale of this product.

NAPOLEON® will not be responsible for: over-firing, downdrafts, spillage caused by environmental conditions such as rooftops, buildings, nearby trees, hills, mountains, inadequate vents or ventilation, excessive venting configurations, insufficient makeup air, or negative air pressures which may or may not be caused by mechanical systems such as exhaust fans, furnaces, clothes dryers, etc.

Any damages to the appliance, combustion chamber, heat exchanger, plated trim or other components due to water, weather damage, long periods of dampness, condensation, damaging chemicals or cleaners will not be the responsibility of NAPOLEON®.

All parts replaced under the President's Limited Lifetime Warranty Policy are subject to a single claim.

During the first 10 years NAPOLEON® will replace or repair the defective parts covered by the lifetime warranty at our discretion free of charge. From 10 years to life, NAPOLEON® will provide replacement parts at 50% of the current retail price.

All parts replaced under the warranty will be covered for a period of 90 days from the date of their installation.

The manufacturer may require that defective parts or products be returned or that digital pictures be provided to support the claim. Returned products are to be shipped prepaid to the manufacturer for investigation. If a product is found to be defective, the manufacturer will repair or replace such defect.

Before shipping your appliance or defective components, your dealer must obtain an authorization number. Any merchandise shipped without authorization will be refused and returned to sender.

Shipping costs are not covered under this warranty.

Additional service fees may apply if you are seeking warranty service from a dealer.

Warranty labour allowance is only for the replacement of the warranted part. Travel, diagnostic tests, shipping and other related charges are not covered by this warranty.

ALL SPECIFICATIONS AND DESIGNS ARE SUBJECT TO CHANGE WITHOUT PRIOR NOTICE DUE TO ON-GOING PRODUCT IMPROVEMENTS. NAPOLEON® IS A REGISTERED TRADEMARK OF WOLF STEEL LTD.

2.1B









Les produits Napoleón® sont fabriqués conformément aux normes strictes du Certificat d'Assurance de la

Qualité mondiale reconnu ISO 9001 : 2008.

Les produits Napoleón® sont conçus avec des composants et des matériaux de qualité supérieure, assemblés par des artisans qualifiés qui sont fiers de leur travail. Le brûleur et le montage de la soupape subissent un test de détection de fuite et d'allumage à une station de test de qualité. Une fois assemblée, chaque appareil est soigneusement inspecté par un technicien qualifié avant d'être emballé pour garantir que vous, le client, recevez le produit de qualité dont vous attendez de Napoleón®.

**GARANTIE À VIE LIMITÉE DU PRÉSIDENT DES APPAREILS AU GAZ NAPOLEÓN®**

Les matériaux suivants et la fabrication de votre nouveau appareil au gaz Napoleón® sont garantis contre les défauts tant que vous en êtes le propriétaire. Ceci couvre : la chambre de combustion, l'échangeur de chaleur, le brûleur en acier inoxydable, les bûches PHAZER® et les brâses, les roches, la vitre en céramique (cassure thermique seulement), les pièces plaquées or contre le ternissement, les composants en porcelaine émaillée et les mouleurs d'extrusion en aluminium.\*

Les composants électriques (110V et 220V) et les pièces soumises à l'usure tels que les soufflantes, les soupapes de gaz, l'interrupteur thermique, les interrupteurs, l'installation électrique, les télécommandes, l'allumeur, les joints d'étanchéité et l'assemblage de la veilleuse sont couverts et NAPOLEÓN® fournira gratuitement les pièces de rechange durant la première année de la garantie limitée.\*

Les coûts de main-d'œuvre relatifs aux réparations garanties sont couverts gratuitement durant la première année. Cependant, les travaux de réparation nécessitent l'approbation préalable d'un représentant autorisé de la compagnie. Les coûts de main-d'œuvre à la charge de Napoleón® sont basés sur un programme de tarifs prédéterminé et tout travail de réparation doit être accompli par l'entremise d'un représentant autorisé Napoleón®.

\* La fabrication de chaque modèle varie. La garantie s'applique uniquement aux composants disponibles avec votre appareil.

**CONDITIONS ET LIMITATIONS**

NAPOLEÓN® garantit ses produits contre les défauts de fabrication à l'acheteur d'origine seulement. L'enregistrement de la garantie n'est pas nécessaire. Fournissez simplement une preuve d'achat ainsi que le modèle et le numéro de série afin d'effectuer une réclamation de garantie. Napoleón® se réserve le droit de demander à son représentant d'inspecter tous produits ou pièces avant d'honorer toute réclamation. L'achat doit avoir été fait par l'entremise d'un détaillant NAPOLEÓN® autorisé et sous réserve des conditions et limitations suivantes :

La couverture du fabricant n'est pas transférable et ne peut être prolongée ou étendue par aucun de nos représentants quelle qu'en soit la raison. L'appareil au gaz doit être installé par un installateur ou entrepreneur qualifié. L'installation doit être faite conformément aux instructions d'installation incluses avec le produit et à tous les codes d'incendie et de construction locaux et nationaux.

Cette garantie limitée ne couvre pas les dommages causés par un mauvais usage, un accident, un accident, des altérations, des abus ou de la négligence et l'installation de pièces d'autres fabricants annule cette garantie.

Cette garantie limitée ne couvre pas non plus les écaillages des pièces en porcelaine émaillée, le bris par manipulation des bûches PHAZER® et des brâses. produits d'entretien chimiques et abrasifs ou l'écaillage des pièces en porcelaine émaillée, le bris par manipulation des bûches PHAZER® et des brâses. NAPOLEÓN® garantit à vie ses brûleurs en acier inoxydable contre les défauts de fabrication et de matériaux sous réserve des conditions suivantes :

Au cours de la première année seulement, cette garantie s'applique à la réparation ou au remplacement des pièces garanties dont les matériaux ou la fabrication sont défectueux à la condition que le produit ait été utilisé conformément aux instructions de fonctionnement et dans des conditions normales. Après la première année, concernant cette Garantie à Vie Limitée du Président, NAPOLEÓN® peut, à sa discrétion, se libérer entièrement de toutes obligations en ce qui concerne cette garantie en remboursant à l'acheteur d'origine le prix de gros de toute pièce garantie qui est défectueuse.

NAPOLEÓN® ne sera pas responsable de l'installation, de la main-d'œuvre ou autres dépenses relatives à la réinstallation d'une pièce garantie et de telles dépenses sont à la charge de l'utilisateur. Nonobstant toutes les dispositions contenues dans cette Garantie à Vie Limitée du Président, la responsabilité de NAPOLEÓN® sous cette garantie est définie comme ci-dessus et elle ne s'appliquera à aucun dommage accidentel, consécutif ou indirect.

Cette garantie définit l'obligation et la responsabilité de NAPOLEÓN® en ce qui concerne l'appareil au gaz Napoleón®. Toute autre garantie énoncée ou implicite en ce qui concerne ce produit, ses composants ou accessoires est exclue.

Le fabricant ne sera pas responsable d'une surchauffe, des retournements, des déversements causés par des conditions environnementales telles que des toits, des bâtiments, la proximité d'arbres, de collines, de montagnes, une ventilation ou des vents inadéquats, une configuration d'évacuation excessive, un apport d'air insuffisant ou de pressions négatives qui peuvent ou non être causées par des systèmes mécaniques tels que les ventilateurs d'évacuation, les fournaises, les sècheuses de linge, etc.

Tout dommage causé à l'appareil, à la chambre de combustion, à l'échangeur de chaleur, aux garnitures plaquées ou autres composants par l'eau, les dommages causés par les intempéries, de longues périodes d'humidité, la condensation, des produits chimiques ou produits d'entretien nuisibles ne seront pas la responsabilité de NAPOLEÓN®.

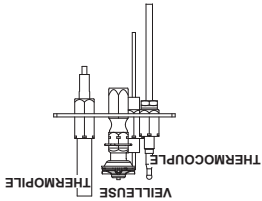
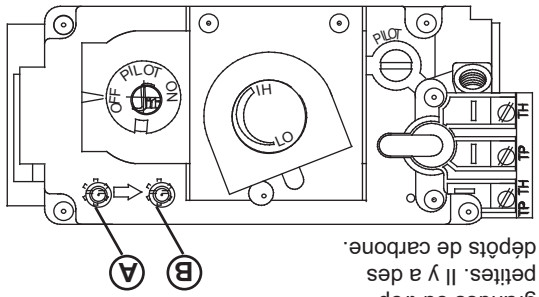
Toutes les pièces remplacées en vertu de la politique de Garantie à Vie Limitée du Président ne peuvent faire l'objet que d'une seule réclamation. Durant les dix premières années, NAPOLEÓN® remplacera ou réparera les pièces défectueuses qui sont couvertes par la garantie à vie limitée à sa discrétion gratuitement. Après les dix premières années, NAPOLEÓN® fournira les pièces de rechange à 50 % du prix de détail courant.

Toutes les pièces remplacées ou titre de la garantie seront couvertes pour une période de 90 jours à partir de leur date d'installation. Le fabricant peut exiger que les pièces défectueuses ou les produits soient retournés ou que des photos numériques soient fournies pour valider la réclamation. Les produits retournés doivent être expédiés port payé au fabricant pour une inspection en usine. Si un produit est déclaré défectueux, le fabricant le réparera ou le remplacera.

Avant d'expédier votre appareil ou les pièces défectueuses, votre détaillant doit obtenir un numéro d'autorisation. Toute marchandise expédiée à notre usine sans autorisation sera refusée et retournée à l'expéditeur. Les coûts d'expédition ne sont pas couverts par cette garantie.

Dés frais de service supplémentaire peuvent être appliqués si vous cherchez à obtenir des services au titre de la garantie auprès d'un détaillant. Les indemnités de main-d'œuvre s'appliquent uniquement pour le remplacement d'une pièce garantie. Les frais de déplacement, de tests de diagnostic, d'expédition et autres frais afférents ne sont pas couverts par cette garantie.

SYMPTÔME	PROBLÈME	SOLUTIONS
La veilleuse ne s'allume pas.	Aucune étincelle au brûleur de la veilleuse.	Vérifiez si la veilleuse peut être allumée avec une allumette. Vérifiez si le fil est raccordé au bouton-poussoir d'ignition. Vérifiez si le bouton-poussoir d'ignition doit être resserré. Remplacez le fil si son isolant est brisé ou effiloché. Remplacez l'électrode si l'isolateur de céramique est craqué ou brisé. Remplacez le bouton-poussoir d'ignition.
Plus de propane.	Plus de propane.	Remplissez le réservoir.
La longueur de l'étincelle est incorrecte.	La longueur de l'étincelle est incorrecte.	La longueur de l'étincelle devrait être de 0,150" à 0,175" (5/32" à 11/64" approx.) entre la pointe de l'électrode et le brûleur de la veilleuse. Pour que l'électrode soit bien placée, serrez l'écrou avec les doigts et tournez 1/4 de tour de plus.
Pas de gaz au brûleur de la veilleuse.	Pas de gaz au brûleur de la veilleuse.	Vérifiez si la soupape manuelle est ouverte. Vérifiez si l'injecteur de la veilleuse est bloqué. Remplacez la soupape. Contactez le fournisseur de gaz.
Les flammes sont régulièrement trop grandes ou trop petites. Il y a des dépôts de carbone.	La pression du gaz est trop faible ou trop forte.	Vérifiez la pression : Pour vérifier la pression d'arrivée, tournez deux ou trois fois la vis (A) vers la gauche, puis embotez le tube du manomètre sur la pointe d'essai. Le manomètre doit indiquer 7" (minimum 4,5") de colonne d'eau pour le gaz naturel ou 13" (minimum 11") de colonne d'eau pour le propane. Assurez-vous que le brûleur principal fonctionne à « HI ». La pression de sortie peut être vérifiée de la même façon en utilisant la vis (B). Le manomètre doit indiquer 3,5" de colonne d'eau pour le gaz naturel ou 10" de colonne d'eau pour le propane. Assurez-vous que le brûleur principal fonctionne à « HI ». APRÈS AVOIR PRIS LA LECTURE DES PRESSIONS, ASSUREZ-VOUS DE TOURNER FERMEMENT LA VIS VERS LA DROITE POUR SCÉLER. NE SERREZ PAS TROP FORT. Vérifiez pour des fuites en appliquant une solution d'eau savonneuse.
Les flammes sont très actives.	La porte est entrouverte.	Serrez les vis qui retiennent la porte en place.
Du carbone se dépose sur la vitre, les bûches ou les parois de la chambre de combustion.	La flamme effleure les bûches ou les parois de la chambre de combustion.	Vérifiez si les bûches sont positionnées correctement. Augmentez l'ouverture du volet d'air pour augmenter le volume d'air primaire. Vérifiez le débit d'alimentation : vérifiez que la pression du collecteur et la grandeur de l'injecteur sont telles que spécifiées sur la plaque d'homologation. Vérifiez si les joints de la porte ne sont pas brisés ou manquants et qu'ils sont étanches. Vérifiez si les deux conduits d'évent ne sont pas troués et qu'ils sont bien scellés à tous les joints. Vérifiez si l'élevation minimale par pied est conforme pour toute évacuation horizontale.
Une pellicule blanche ou grise se forme.	Le souffre du combustible se dépose sur la vitre, les bûches ou les parois de la chambre de combustion.	Nettoyez la vitre avec un nettoyeur recommandé. NE PAS NETTOYER LORSQU'ELLE EST CHAUDE. Si vous ne nettoyez pas les dépôts régulièrement, la vitre risque de rester marquée en permanence.
On détecte l'odeur des gaz de combustion dans la pièce.	L'appareil refoule les gaz de combustion dans la chambre de combustion.	Assurez-vous de l'étanchéité de la buse d'évacuation amovible. Vérifiez tous les joints scellés et la plaque d'expansion. Vérifiez si la cheminée ne serait pas bloquée. Vérifiez si la cheminée est installée selon les codes du bâtiment. La pièce est sous pression négative; augmentez l'apport d'air frais. Vérifiez le joint d'étanchéité du couvercle d'évacuation.
L'interrupteur mural est à « OFF » ; le brûleur principal s'allume lorsque le bouton du gaz est tourné à « ON ».	L'interrupteur mural est raccorde à l'envers.	Raccordez à l'endroit.
L'interrupteur mural cause un court-circuit.	L'interrupteur mural cause un court-circuit.	Remplacez.
Le fil de l'interrupteur mural cause un court-circuit.	Le fil de l'interrupteur mural cause un court-circuit.	Vérifiez si le fil est bien mis à la terre; réparez ou remplacez le fil.
Soupape défectueuse.	Soupape défectueuse.	Remplacez.





**! WARNING**

ALWAYS LIGHT THE PILOT WHETHER FOR THE FIRST TIME OR IF THE GAS SUPPLY HAS RAN OUT, WITH THE GLASS DOOR OPEN OR REMOVED.

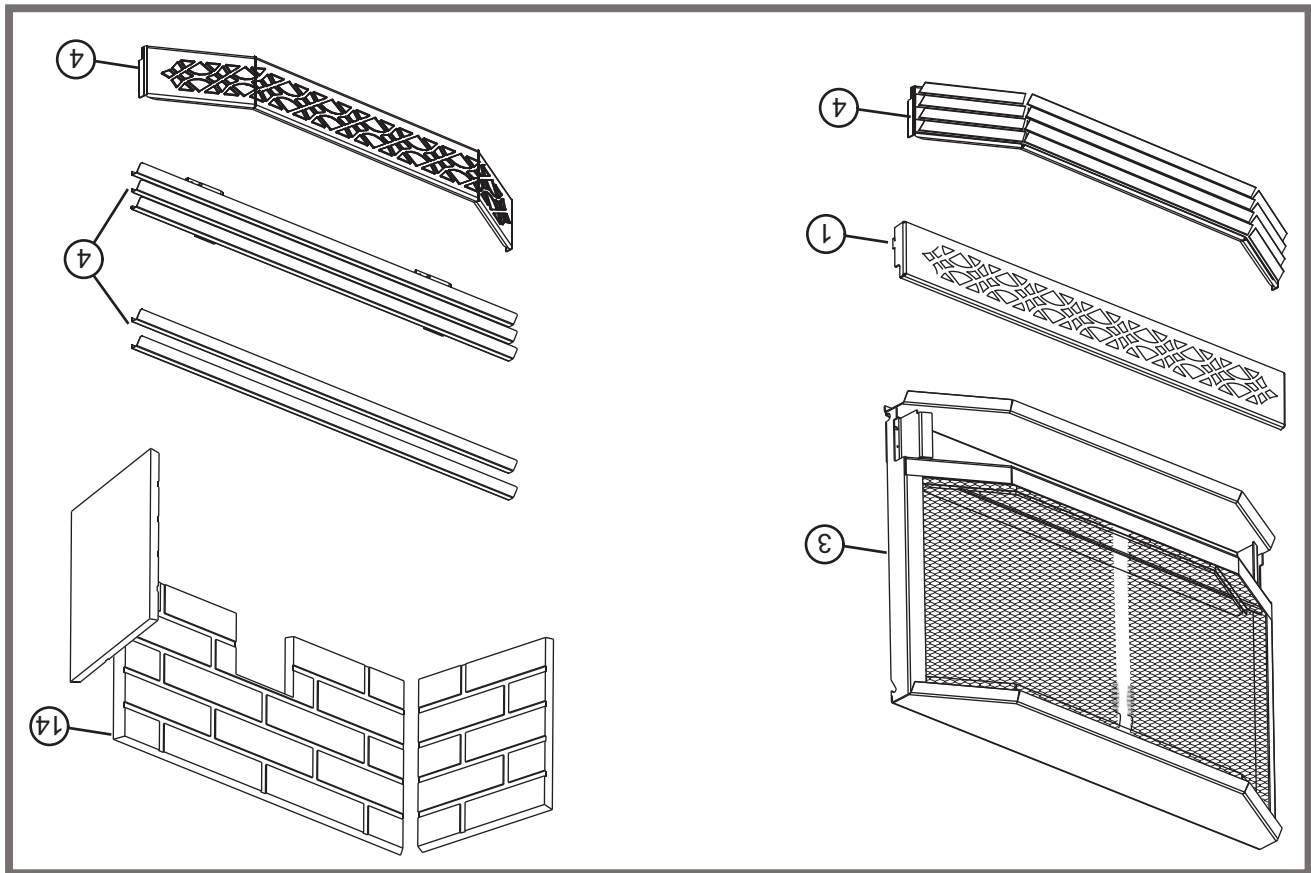
TURN OFF THE GAS AND ELECTRICAL POWER BEFORE SERVICING THE APPLIANCE.

APPLIANCE MAY BE HOT, DO NOT SERVICE UNTIL APPLIANCE HAS COOLED.

DO NOT USE ABRASIVE CLEANERS.

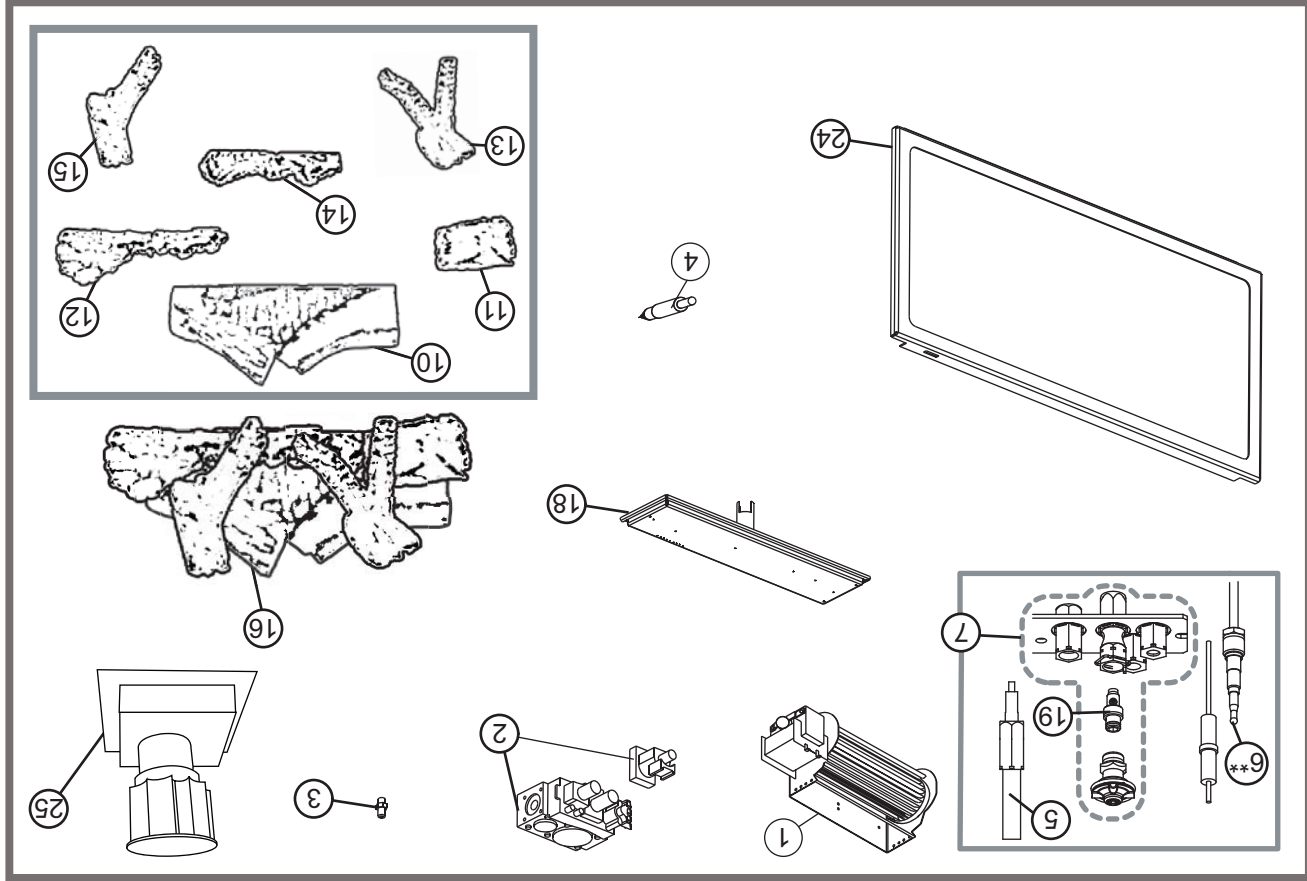
SYMPTOM	PROBLEM	TEST SOLUTION
---------	---------	---------------

Main burner goes out; pilot stays on.	Pilot flame is not large enough or not engulfing the thermopile. Turn up the pilot flame. Replace pilot assembly.	
	Thermopile shorting. Clean thermopile connection to the valve. Reconnect. Replace thermopile / valve.	
	Remote wall switch wire is too long; too much resistance in the system. Shorten wire to correct length or wire gauge.	
Main burner goes out; pilot goes out.	Faulty thermostat or switch. Replace.	
	Refer to "MAIN BURNER GOES OUT; PILOT STAYS ON"	
	Vent is blocked Check for vent blockage.	
	Vent is re-circulating Check joint seals and installation	
	Flexible vent has become disconnected from appliance. Re-attach to appliance. Cap was not replaced.	
Pilot goes out when the gas knob is released. The gas valve has an interlock device which will not allow the pilot burner to be lit until the thermocouple has cooled. Allow approximately 60 seconds for the thermocouple to cool.	System is not correctly purged Purge the gas line.	
	Out of propane gas. Fill the tank.	
	Pilot flame is not large enough. Turn up the pilot flame.	
	Pilot flame is not engulfing the thermocouple Gently twist the pilot head to improve the flame pattern around the thermocouple.	
	Thermocouple shorting / faulty. Loosen and tighten thermocouple.	
	Clean thermocouple and valve connection. Replace thermocouple.	
	Faulty valve. Replace.	
Pilot burning; no gas to main burner; gas knob is on "Hi"; wall switch / thermostat is on.	Thermostat or switch is defective Connect a jumper wire across the wall switch terminals; if main burner lights, replace switch / thermostat.	
	Wall switch wiring is defective. Disconnect the switch wires & connect a jumper wire across terminals 1 & 3; if the main burner lights, check the wires for defects and/or replace wires.	
	Main burner orifice is plugged. Remove stoppage in orifice.	
	Faulty valve. Replace.	
Pilot goes out while standing; Main burner is in 'OFF' position.	Gas piping is undersized. Turn on all gas appliances and see if pilot flame flutters, diminishes or extinguishes, especially when main burner ignites. Monitor appliance supply working pressure. Check if supply piping size is to code. Correct all undersized piping.	
Main burner flame is a blue, lazy, transparent flame.	Blockage in vent. Remove blockage. In really cold conditions, ice buildup may occur on the terminal and should be removed as required. To minimize this from happening again, it is recommended that the vent lengths that pass through unheated spaces (attics, garages, crawl spaces) be wrapped with an insulated mylar sleeve. Prevent sleeve from sagging. Contact your local authorized dealer for more information.	



N° RÉF.	N° DE PIÈCE	DESCRIPTION
	GI-1LK	PERSIENNES SUP. & INF. NOIRES
1	GI-1LPB	PERSIENNES SUP. NOIRES & PERSIENNES INF. LAITON POLI
1	GI-1LAB	PERSIENNES SUP. NOIRES & PERSIENNES INF. LAITON ANTIQUE
1	GI-1LSS	PERSIENNES SUP. NOIRES & PERSIENNES INF. ACIER INOXYDABLE BROSSÉ
1	GI-OIG	PERSIENNES SUP. & INF. PLAQUÉES OR
2	GI-OIK	PANNEAUX ORNEMENTAUX SUP. & INF. NOIRS AVEC MOULURE SUPÉRIEURE DE PORTE EN LAITON POLI
2	GI-OIG	PANNEAUX ORNEMENTAUX SUP. & INF. PLAQUÉS OR
3	GI30B-KT	FAÇADE EN BAIE AVEC PARE-ÉTINCELLES COULISSANT
4	GI-B-1LK	PERSIENNES NOIRES
4	GI-B-1LPB	PERSIENNES INFÉRIEURES EN LAITON POLI
4	GI-B-1LAB	PERSIENNES INFÉRIEURES EN LAITON ANTIQUE
4	GI-B-1LSS	PERSIENNES INFÉRIEURES EN ACIER INOXYDABLE BROSSÉ
4	GI-B-1LG	PERSIENNES INFÉRIEURES PLAQUÉES OR
6*	GI-900K6	CONTOUR DE LUXE NOIR DE 6" AVEC MOULURE MARQUIS
6*	GI-900B6	CONTOUR DE LUXE DE 6" EN LAITON POLI AVEC MOULURE MARQUIS
6*	GI-900AB6	CONTOUR DE LUXE DE 6" EN LAITON ANTIQUE AVEC MOULURE MARQUIS
6*	GI-900SS6	CONTOUR DE LUXE DE 6" EN ACIER INOXYDABLE BROSSÉ AVEC MOULURE NOIRE
6*	GI-909S6	CONTOUR DE LUXE DE 6" EN PORCELAINÉ ÉMAILLÉE AMANDE AVEC MOULURE MARQUIS
6*	GI-909K6	CONTOUR DE LUXE DE 6" EN PORCELAINÉ ÉMAILLÉE NOIRE AVEC MOULURE MARQUIS
6*	GI-909F6	CONTOUR DE LUXE DE 6" EN PORCELAINÉ ÉMAILLÉE VERTE AVEC MOULURE MARQUIS
7*	GI-900K9	CONTOUR DE LUXE NOIR DE 9" AVEC MOULURE MARQUIS
7*	GI-900B9	CONTOUR DE LUXE DE 9" EN LAITON POLI AVEC MOULURE MARQUIS
7*	GI-900AB9	CONTOUR DE LUXE DE 9" EN LAITON ANTIQUE AVEC MOULURE MARQUIS
7*	GI-900SS9	CONTOUR DE LUXE DE 9" EN ACIER INOXYDABLE BROSSÉ AVEC MOULURE NOIRE
7*	GI-909S9	CONTOUR DE LUXE DE 9" EN PORCELAINÉ ÉMAILLÉE AMANDE AVEC MOULURE MARQUIS
7*	GI-909K9	CONTOUR DE LUXE DE 9" EN PORCELAINÉ ÉMAILLÉE NOIRE AVEC MOULURE MARQUIS
7*	GI-909F9	CONTOUR DE LUXE DE 9" EN PORCELAINÉ ÉMAILLÉE VERTE AVEC MOULURE MARQUIS
8*	CISK	CONTOUR EN FONTE PEINT NOIR
9	GI-CSK	CONTOUR EN FONTE ARGÉE PEINT NOIR
10*	W690-0001	THERMOSTAT MILLIVOLT
11*	GD-660	INTERRUPTEUR MURAL & 20 PIEDS DE CÂBLE
12*	W660-0026	MINUTERIE PROGRAMMABLE À BATTERIE
13*	ANI-K	BORNES DE CHENET - NOIRES
13*	ANI-G	BORNES DE CHENET - PLAQUÉES OR
14	GI-798KT	PANNEAUX DÉCORATIFS SIMIL-BRIQUES
15*	GI-910K	CONTOUR CAMBRÉ DE 6" - NOIR TEXTURÉ
16*	GI-942K	MOULURES POUR CONTOUR CAMBRÉ - NOIRES
16*	GI-942B	MOULURES POUR CONTOUR CAMBRÉ - LAITON POLI
17*	GI-RB	BASE D'ÉLÉVATION - PEINTE NOIRE
18*	W175-0218	ENSEMBLE DE CONVERSION - PL-GN
18*	W175-0216	ENSEMBLE DE CONVERSION - GN-PL
19*	F40	TÉLÉCOMMANDE MARCHÉ/ARRÊT
20*	F50	TÉLÉCOMMANDE POUR THERMOSTAT

## ACCESSOIRES



N° RÉF.	N° DE PIÈCE	DESCRIPTION
25*	GDI-226	TERMINAISON
<b>ENSEMBLES DE TERMINAISON</b>		
N° RÉF.	N° DE PIÈCE	DESCRIPTION
		1 GAINÉ DE 2" ET 1 GAINÉ DE 3" EN ALUMINIUM À DOUBLE PAROI - PRISE D'AIR ET ÉVACUATION & 2 RÉDUCTEURS DE 3" À 2" :
26*	GDI-2320KT	ENSEMBLE D'ÉVENTS 20 PI
26*	GDI-2325KT	ENSEMBLE D'ÉVENTS 25 PI
26*	GDI-2335KT	ENSEMBLE D'ÉVENTS 35 PI
2 GAINES DE 3" EN ALUMINIUM À DOUBLE PAROI - PRISE D'AIR ET ÉVACUATION :		
27*	GDI-320KT	ENSEMBLE D'ÉVENTS 20 PI
27*	GDI-325KT	ENSEMBLE D'ÉVENTS 25 PI
27*	GDI-335KT	ENSEMBLE D'ÉVENTS 35 PI

## AVERTISSEMENT

OMETTRE DE POSITIONNER LES PIÈCES CONFORMÈMENT À CE MANUEL OU D'UTILISER UNIQUEMENT DES PIÈCES SPÉCIFIQUEMENT APPROUVÉES POUR CET APPAREIL PEUT CAUSER DES DOMMAGES MATÉRIELS OU DES BLESSURES CORPORELLES.

**\*\* CECI EST UN THERMOCOUPLE À ACTION RAPIDE QUI CONSTITUE UN COMPOSANT ESSENTIEL DE SÉCURITÉ. REMPLACEZ UNIQUEMENT PAR UN THERMOCOUPLE À ACTION RAPIDE DE WOLF STEEL LTÉE.**

Contactez votre détaillant pour les questions concernant les prix et la disponibilité des pièces de rechange.

Normalement, toutes les pièces peuvent être commandées chez votre détaillant autorisé.

**POUR UN REMPLACEMENT DE PIÈCE SOUS GARANTIE, UNE PHOTOCOPIE DE LA FACTURE ORIGINALE SERA REQUISE AFIN DE POUVOIR HONORER LA DEMANDE.**

Lorsque vous commandez des pièces, donnez toujours l'information suivante :

- Modèle et numéro de série de l'appareil
- Date d'installation de l'appareil
- Numéro de la pièce
- Description de la pièce

- Fin!

\* IDENTIFIEZ LES ARTICLES QUI NE SONT PAS ILLUSTRÉS. POUR PLUS D'INFORMATION, CONTACTEZ VOTRE DÉTAILLANT AUTORISÉ.

41.2

## COMPOSANTS

N° RÉF.	N° DE PIÈCE	DESCRIPTION
1	GZ552	SOUFFLERIE
2	W725-0035	SOUAPE - GAZ NATUREL
2	W725-0026	SOUAPE - PROPANE
3	W456-0043	INJECTEUR DE BRÛLEUR - GN #43
3	W456-0054	INJECTEUR DE BRÛLEUR - PL #54
4	W357-0001	ALLUMEUR PIÉZO
5	W680-0004	THERMOPILE
6	W680-0005	THERMOCOUPLE**
7	W010-0801	ASSEMBLAGE DE VEILLEUSE - GN
7	W010-0800	ASSEMBLAGE DE VEILLEUSE - PL
8*	W690-0002	THERMODISQUE
9*	W660-0009	INTERRUPTEUR DE BRÛLEUR MARCHÉ/ARRÊT
10	W135-0378	BÛCHE ARRIÈRE
11	W135-0381	BÛCHE CENTRALE GAUCHE
12	W135-0382	BÛCHE CENTRALE DROITE
13	W135-0380	BÛCHE TRANSVERSALE GAUCHE
14	W135-0383	BÛCHE TRANSVERSALE CENTRALE
15	W135-0379	BÛCHE TRANSVERSALE DROITE
16	GL-667	ENSEMBLE DE BÛCHES
17*	W361-0016	BRAISES INCANDESCENTES
18	W010-1046	BRÛLEUR
19	W455-0070	INJECTEUR DE VEILLEUSE - GN
19	W455-0068	INJECTEUR DE VEILLEUSE - PL
20*	W385-0334	LOGO NAPOLÉON
21*	W562-0008	JOINT D'ÉTANCHÉITÉ DE VITRE
22*	KB-35	INTERRUPTEUR À VITESSE VARIABLE
23*	W010-1095	VITRE AVEC JOINT D'ÉTANCHÉITÉ
24	W010-1042	ASSEMBLAGE DE PORTE, VITRE & JOINT D'ÉTANCHÉITÉ

## 8.1 SOINS DE LA VITRE

NE PAS NETTOYER LA VITRE LORSQU'ELLE EST CHAUDE! N'EMPLOYEZ PAS DE DÉTERGENTS ABRASIFS POUR NETTOYER LA VITRE.

Polissez légèrement à l'aide d'un linge propre et sec. Nettoyez les deux côtés de la vitre avec un nettoyeur recommandé après les dix premières heures de fonctionnement. Par la suite, nettoyez aussi souvent qu'il le faudra, sinon la vitre risque de rester marquée en permanence.

**AVERTISSEMENT**



LA VITRE CHAUDE CAUSERA DES BRÛLURES. NE PAS TOUCHER LA VITRE AVANT QU'ELLE AIT REFFROIDI. NE JAMAIS LAISSER LES ENFANTS TOUCHER LA VITRE.

5.1

## 8.2 REMPLACEMENT DE LA VITRE DE PORTE

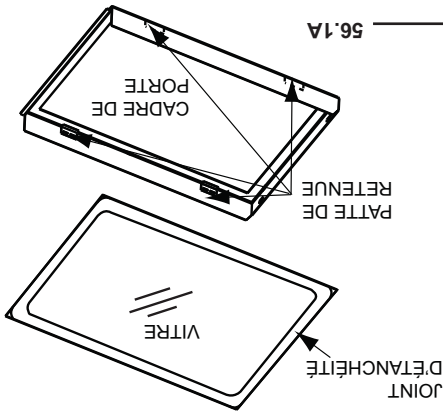
**AVERTISSEMENT**

N'UTILISEZ PAS DE MATÉRIAUX DE SUBSTITUTION.

LA VITRE PEUT ÊTRE CHAUDE, NE TOUCHEZ PAS LA VITRE JUSQU'À CE QU'ELLE AIT REFFROIDI.

USEZ DE PRUDENCE LORSQUE VOUS ENLEVEZ ET JETEZ DES DÉBRIS DE VITRE OU DES COMPOSANTS ENDOMMAGÉS. ASSUREZ-VOUS D'ASPIRER TOUTS LES DÉBRIS DE VERRE À L'INTÉRIEUR DE L'APPAREIL AVANT DE LE FAIRE FONCTIONNER.

NE FRAPPEZ PAS, NE CLAQUEZ PAS ET N'ÉGRATIGNEZ PAS LA PORTE VITRÉE. NE FAITES PAS FONCTIONNER L'APPAREIL LORSQUE LA PORTE VITRÉE EST ENLEVÉE, FISSURÉE, BRISÉE OU ÉGRATIGNÉE.



**A.** Placez le cadre de la porte avec la devanture vers le bas en prenant soin de ne pas égratigner la peinture.

**B.** Centrez la vitre avec joint d'étanchéité dans le cadre avec le côté épais du joint d'étanchéité orienté vers le haut.

**C.** Pliez les pattes de retenue situées sur le cadre par-dessus le joint d'étanchéité pour retenir la vitre en place. Faites attention à ne pas casser la vitre.

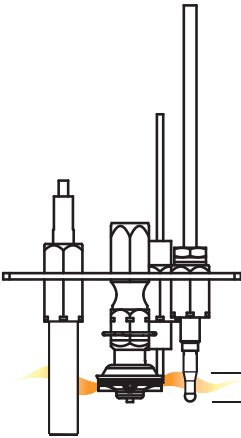
**NOTE :** Utilisez de prudence lorsque vous enlevez et jetez des débris de verre ou des composants endommagés. Assurez-vous d'aspirer tous les débris de verre à l'intérieur de l'appareil avant de le faire fonctionner.

**CARACTÉRISTIQUES DE LA FLAMME**

Il est important d'effectuer périodiquement une inspection visuelle de la flamme de la veilleuse et du brûleur. Comparez-les à ces illustrations. Si des flammes paraissent anormales, contactez un technicien de service.



54.2



LA FLAMME DOIT ENVELOPPER LA PARTIE SUPÉRIEURE DU THERMOCOUPLE ET DE LA THERMOPILE DE 3/8" À 1/2"

3/8" - 1/2"

**8.0 ENTRETIEN**

**AVERTISSEMENT**

COUPEZ L'ALIMENTATION EN GAZ ET L'ALIMENTATION ÉLECTRIQUE AVANT DE PROCÉDER À L'ENTRETIEN DE L'APPAREIL.

L'APPAREIL PEUT ÊTRE CHAUD. ATTENDEZ QU'IL SOIT REFFROIDI AVANT D'EN FAIRE L'ENTRETIEN.

N'UTILISEZ PAS DE PRODUITS ABRASIFS.

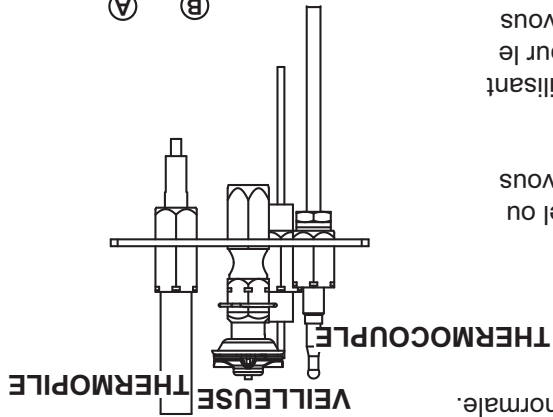
- ATTENTION :** Lors de l'entretien des contrôles, assurez-vous d'identifier chacun des fils avant de les débrancher. Une réinstallation incorrecte des fils peut occasionner un mauvais fonctionnement et être dangereuse. Assurez-vous que l'appareil fonctionne adéquatement une fois l'entretien terminé. Cet appareil et son système d'évacuation devraient être inspectés avant la première utilisation et au moins une fois l'an par un technicien de service qualifié. L'espace entourant l'appareil doit être gardé propre et libre de matériaux combustibles, d'essence ou autres liquides et vapeurs inflammables. Les apports d'air comburant et d'air de convection ne doivent pas être obstrués.
1. Pour nettoyer le brûleur principal et la veilleuse adéquatement, il faut retirer les bûches, les roches ou la vitre afin de dégager les deux ensembles.
  2. Gardez le compartiment des contrôles, les composants décoratifs, le brûleur, le volet d'air et l'espace entourant les bûches propres en brossant ou en passant l'aspirateur au moins une fois l'an.
  3. Assurez-vous que tous les orifices des brûleurs produisent des flammes. Nettoyez tous les orifices qui n'ont pas de flamme ou dont la flamme ne brûle pas adéquatement.
  4. Assurez-vous que la flamme de la veilleuse est assez puissante pour envelopper la sonde de flamme et/ou le thermocouple/thermopile et qu'elle atteigne le brûleur.
  5. Remettez en place les bûches, les roches ou la vitre nettoyées. Omettre de positionner les composants décoratifs adéquatement peut causer des dépôts de carbone qui peuvent se déposer dans des endroits de séjour avoisinants.
  6. Vérifiez si le brûleur principal allume sur tous les orifices lorsque le bouton de contrôle du gaz est à « ON ». Un temps d'allumage total de 5 à 10 secondes est satisfaisant. Si l'allumage prend plus de temps, consultez votre détaillant autorisé.
  7. Vérifiez si les joints d'étanchéité sur les côtés, le haut et le bas de la porte ne sont pas brisés ou manquants. Remplacez si nécessaire.
  8. Si pour une raison quelconque le système d'évents de prise d'air est démonté, réinstallez et rescellez-le selon les instructions fournies dans l'installation initiale.

40.1

# 7.0 RÉGLAGES

## 7.1 RÉGLAGE DE LA VEILLEUSE

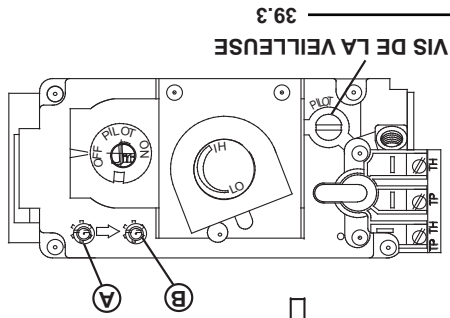
Ajustez la vis de la veilleuse pour obtenir une flamme de taille normale. Tournez vers la droite pour réduire l'apport de gaz.



Pour vérifier la pression d'arrivée, tournez la vis (A) vers la gauche jusqu'à ce qu'elle soit desserrée, puis embotez le tube du manomètre sur la pointe d'essai. Le manomètre doit indiquer 7" (minimum 4,5") de colonne d'eau pour le gaz naturel ou 13" (minimum 11") de colonne d'eau pour le propane. Assurez-vous que le brûleur principal fonctionne à « HI ».

La pression de sortie peut être vérifiée de la même façon en utilisant la vis (B). Le manomètre doit indiquer 3,5" de colonne d'eau pour le gaz naturel ou 10" de colonne d'eau pour le propane. Assurez-vous que le brûleur principal fonctionne à « HI ».

**APRÈS AVOIR PRIS LA LECTURE DES PRESSIONS, SERREZ BIEN LES VIS POUR SCELLER. NE SERREZ PAS TROP FORT. VÉRIFIEZ POUR DES FUITES.**

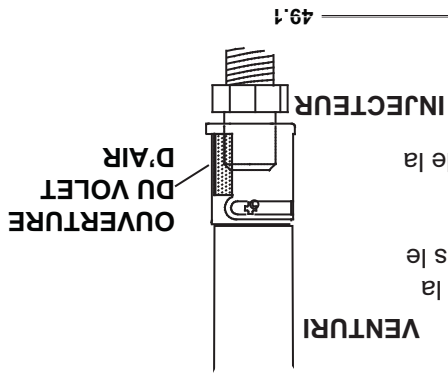


## 7.2 RÉGLAGE DU VENTURI

L'ouverture du volet d'air a été pré réglée en usine selon le tableau ci-dessous :

Indépendamment de l'orientation du venturi, plus le volet est fermé, plus la flamme est jaune et aura tendance à causer des dépôts de carbone. Plus le volet est ouvert, plus la flamme est bleue et plus elle a tendance à se détacher des orifices du brûleur. La flamme peut ne pas être jaune immédiatement; allouez de 15 à 30 minutes pour que la couleur finale de la flamme se stabilise.

**LE RÉGLAGE DU VOLET D'AIR DOIT ÊTRE EXÉCUTÉ PAR UN TECHNICIEN OU INSTALLATEUR QUALIFIÉ!**



GDI-30	GN	1/4"
	PL	3/8"



## ⚠ AVERTISSEMENT

SI CES INSTRUCTIONS NE SONT PAS SUIVIES À LA LETTRE, UN INCENDIE OU UNE EXPLOSION POURRAIENT S'ENSUIVRE, CAUSANT DES DOMMAGES MATÉRIELS, DES BLESSURES CORPORELLES OU DES PERTES DE VIE.

ALLUMEZ TOUJOURS LA VEILLEUSE, QUE CE SOIT POUR LA PREMIÈRE FOIS OU LORSQUE L'APPROVISIONNEMENT EN GAZ EST ÉPUISÉ, AVEC LA PORTE VITRÉE OUVERTE OU RETIRÉE.

Assurez-vous que l'arrivée de gaz au brûleur est continuée avant de réinstaller la porte. Lorsqu'il est allumé pour la première fois, l'appareil dégagera une légère odeur pendant quelques heures. Cela est une condition normale temporaire causée par le conditionnement des bûches et l'évaporation des peintures et lubrifiants internes utilisés dans le processus de fabrication; elle ne se reproduira plus.

Après de longues périodes sans utiliser l'appareil, comme à la suite de vacances ou à la fin de l'été, il se peut qu'une légère odeur se dégage pendant quelques heures. Ceci est causé par des particules de poussière brûlant dans l'échangeur de chaleur. Dans les deux cas, ouvrez une fenêtre pour aérer la pièce.

## POUR VOTRE SÉCURITÉ, LISEZ CE QUI SUIT AVANT D'ALLUMER L'APPAREIL :

- Cet appareil est muni d'une veilleuse qui doit être allumée manuellement tout en suivant ces instructions à la lettre.
- Avant d'allumer, sentez autour de l'appareil et près du plancher afin de vous assurer qu'il n'y a pas de fuite de gaz.
- Certains gaz sont plus lourds que l'air et se déposeront au niveau du plancher.
- N'utilisez votre main pour tourner le bouton de contrôle du gaz. N'utilisez jamais d'outils. Si le bouton ne tourne pas manuellement, n'essayez pas de le réparer. Appelez un technicien qualifié. Forcer le bouton ou tenter de réparer le mécanisme pourrait causer un feu ou une explosion.
- N'utilisez pas cet appareil si une partie quelconque a été submergée. Contactez immédiatement un technicien qualifié pour l'inspecter et pour remplacer toute pièce du système de contrôle et du contrôle du gaz qui aurait été submergée.

## QUE FAIRE SI VOUS DÉTECTEZ UNE ODEUR DE GAZ :

- Coupez l'alimentation en gaz à l'appareil.
- De la maison d'un voisin, appelez immédiatement votre fournisseur de gaz et suivez ses instructions.
- Si vous ne pouvez pas rejoindre votre fournisseur de gaz, appelez le service des incendies.



BOUTON DU GAZ

## INSTRUCTIONS D'ALLUMAGE :

**ATTENTION : La soupape de gaz a un dispositif d'enclenchement qui ne permet à la veilleuse de s'allumer que lorsque le thermocouple est refroidi. Attendez au moins 60 secondes pour permettre au thermocouple de se refroidir.**

Durant l'allumage et le réalumage, le bouton de contrôle du gaz ne peut tourner de « PILOT » à « OFF » à moins de l'enfoncer légèrement.

- Arrêtez! Lisez les consignes de sécurité ci-dessus.
- Coupez l'alimentation électrique à l'appareil.
- Tournez le bouton de contrôle du gaz vers la droite à « OFF ».
- Attendez 5 minutes pour que le gaz puisse s'échapper. Si vous détectez une odeur de gaz, incluant au niveau du plancher, Arrêtez! et suivez les instructions ci-dessus « Que faire si vous détectez une odeur de gaz ». Continuez à l'étape suivante si vous ne sentez pas de gaz.
- Tournez le bouton de contrôle du gaz vers la gauche à « PILOT ».
- Enfoncez légèrement le bouton de contrôle du gaz pendant que vous allumez la veilleuse en appuyant sur le bouton-poussoir d'ignition. Gardez le bouton de contrôle du gaz enfoncé pendant une minute, puis relâchez-le. Si la veilleuse ne reste pas allumée, répétez les étapes 3 à 5.
- Lorsque la veilleuse est allumée, enfoncez et tournez le bouton de contrôle du gaz vers la gauche à « ON ». Votre appareil est muni d'un interrupteur à distance/thermostat, le brûleur principal peut ne pas s'allumer lorsque vous tournez la soupape de gaz à « ON ». L'interrupteur à distance doit aussi être à « ON » pour que le brûleur principal s'allume.
- Rétablissez l'alimentation électrique à l'appareil.

## INSTRUCTIONS POUR COUPER LE GAZ

- Coupez l'alimentation électrique à l'appareil si un travail d'entretien doit se faire.
- Enfoncez légèrement le bouton de contrôle du gaz et tournez vers la droite jusqu'à « OFF ». Ne forcez pas.

## TOURNEZ LA SOUPAPE DE CONTRÔLE À « OFF » LORSQUE L'APPAREIL N'EST PAS UTILISÉ.

# 5.0 REMPLACEMENT DE LA SOUFFLERIE

**⚠ AVERTISSEMENT**

**RISQUE D'INCENDIE ET DE CHOC ÉLECTRIQUE.**

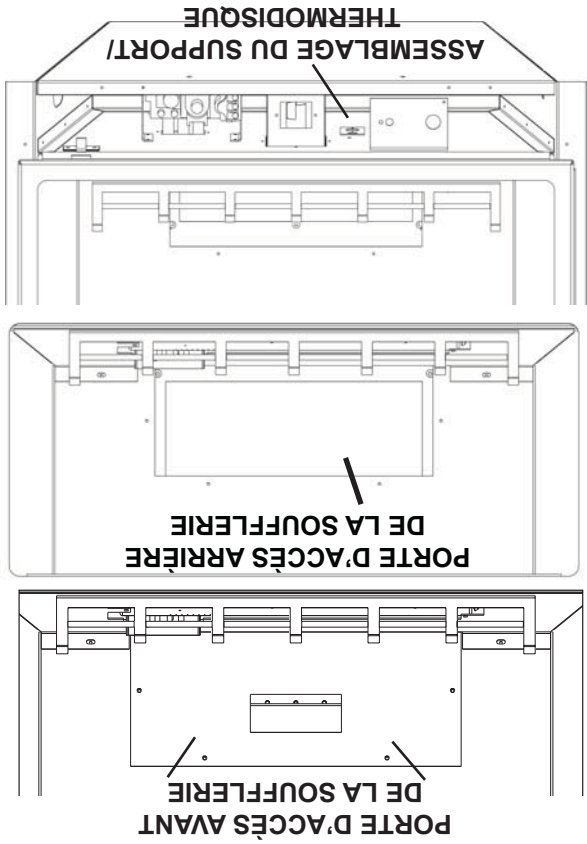
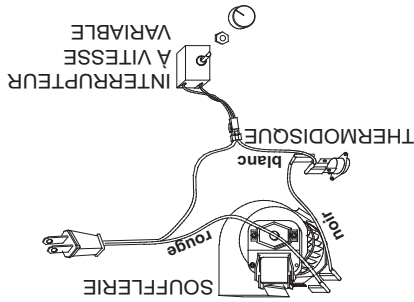
COUPEZ L'ALIMENTATION EN GAZ ET L'ALIMENTATION ÉLECTRIQUE AVANT DE PROCÉDER À L'ENTRETIEN DE L'APPAREIL.

N'UTILISEZ QUE LES ACCESSOIRES OPTIONNELS ET LES PIÈCES DE REMPLACEMENT APPROUVÉES PAR WOLF STEEL POUR CET APPAREIL. L'UTILISATION D'ACCESSOIRES NON LISTÉS (SOUFFLERIE, PORTES, PERSIENNES, MOULURES, COMPOSANTS DE GAZ, COMPOSANTS D'ÉVACUATION, ETC.) POURRAIT ÊTRE NON SÉCURITAIRE ET ANNULER LA GARANTIE ET LA CERTIFICATION.

AFIN DE PRÉVENIR LES CHOC ÉLECTRIQUES ET LES DOMMAGES CAUSÉS PAR LE FEU, ASSUREZ-VOUS QUE LE CORDON D'ALIMENTATION DU VENTILATEUR N'ENTRE PAS EN CONTACT AVEC QUELCONQUE SURFACE DE L'APPAREIL. NE FAITES PAS PASSER LE CORDON D'ALIMENTATION SOUS L'APPAREIL.

LE HARNAIS DE FILS FOURNI DANS L'ENSEMBLE DE SOUFFLERIE EST UN HARNAIS UNIVERSEL. LORS DE SON INSTALLATION, ASSUREZ-VOUS QUE TOUT EXCÈS DE FIL EST CONFINÉ, L'EMPÊCHANT AINSI D'ENTRER EN CONTACT AVEC DES OBJETS CHAUDS OU MOBILES.

51.5



- A.** Coupez l'alimentation électrique et en gaz à l'encastrement. Ouvrez la porte vitrée et enlevez les bûches et les panneaux de briques s'il y a lieu.
- B.** Retirez la porte d'accès avant de la soufflerie qui est retenue par 4 vis.
- C.** Retirez la porte d'accès arrière de la soufflerie. Retirez la porte d'accès arrière de la soufflerie. **NOTE** : Vérifiez si le joint d'étanchéité de la porte d'accès de la soufflerie est endommagé.
- D.** Débranchez les deux fils de la soufflerie. Retirez la soufflerie du support de la soufflerie puis remplacez le support de montage qui est fixé sur la face inférieure de la base du brûleur. Retirez le thermostatique de son support et remplacez-le.
- E.** Rebranchez les deux fils. Réinstallez le joint d'étanchéité de la porte d'accès. Refixez le support de la soufflerie et les portes d'accès de la soufflerie. Remettez en place les bûches. Fermez la porte vitrée.
- F.** Ouvrez l'alimentation en gaz et rétablissez l'alimentation électrique. La soufflerie étant actionnée par la chaleur lorsque l'interrupteur est à « ON », elle se mettra automatiquement en marche environ 5-15 minutes après l'allumage de l'encastrement et fonctionnera de 30 à 45 minutes environ après l'arrêt de l'encastrement. L'utilisation de la soufflerie accrôit le débit de chaleur.
- G.** La poussière de gypse pénétrera dans le roulement à billes de la soufflerie causant des dommages irréparables. Vous devez éviter que cette poussière n'entre en contact avec la soufflerie ou son compartiment. Tout dommage causé par ce problème ne sera pas couvert par la garantie.

#### 4.5 BRAISES DE CHARBON DE BOIS OPTIONNELLES

Éparpillez les braises à l'avant et sur les côtés du support à bûches de façon à créer un effet réaliste.

N'utilisez pas la fine poussière qui reste au fond du sac.

**NOTE :** Les braises de charbon de bois ne doivent pas être placées sur le brûleur.

32.1

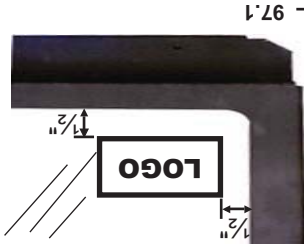
#### 4.6 BRAISES INCANDESCENTES

Déchirez les braises incandescentes en morceaux et placez-les le long de la première rangée des orifices du brûleur en couvrant toute la surface à l'avant des petites bûches. Les braises devraient être déchirées très soigneusement en petits morceaux minces irréguliers, car seuls les côtés exposés des fibres deviendront incandescents. **Les braises seront incandescentes seulement lorsqu'elles sont exposées à une flamme directe; cependant, prenez bien garde de ne pas boucher les orifices du brûleur.**

Le blocage des orifices du brûleur peut créer une flamme irrégulière, des dépôts de carbone et un retard d'allumage. Les bûches **HAZER<sup>MD</sup>** rougeoient lorsqu'elles sont exposées à une flamme directe. N'utilisez que des braises incandescentes et des bûches certifiées **HAZER<sup>MD</sup>**, disponibles chez votre détaillant autorisé.

#### 4.7 MISE EN PLACE DU LOGO

Retirez le papier dorsal du logo et placez-le sur la porte vitrée tel qu'indiqué.



97.1

## 4.4 DISPOSITION DES BÛCHES

### ! AVERTISSEMENT

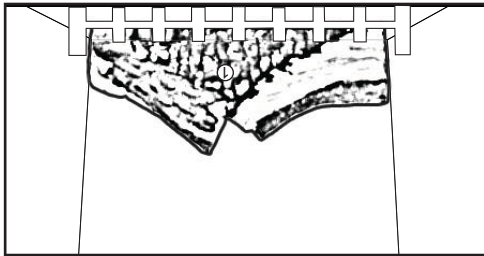
OMETTRE DE POSITIONNER LES BÛCHES CONFORMÉMENT AUX SCHEMAS OU OMETTRE D'UTILISER UNIQUEMENT DES BÛCHES SPÉCIFIQUEMENT APPROUVÉES POUR CET APPAREIL PEUT CAUSER DES DOMMAGES MATÉRIELS OU DES BLESSURES CORPORELLES.

LES BÛCHES DOIVENT ÊTRE PLACÉES CORRECTEMENT À L'INTÉRIEUR DE L'APPAREIL. NE CHANGEZ PAS LA POSITION DES BÛCHES CAR L'APPAREIL RISQUE DE NE PAS FONCTIONNER ADEQUATEMENT ET UN RETARD D'ALLUMAGE RISQUE DE SE PRODUIRE.

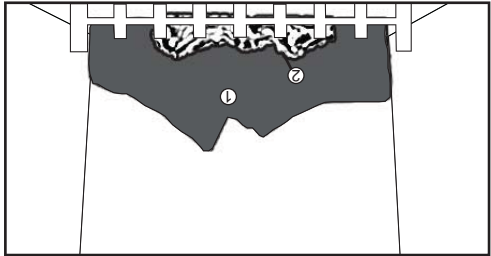
LES BÛCHES SONT FRAGILES ET DEVIENNAIENT ÊTRE MANIPULÉES AVEC SOIN.

76.1A

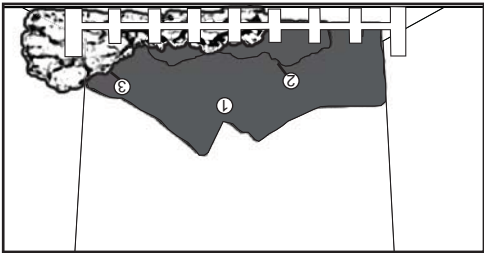
Les bûches PHAZER<sup>MD</sup> et les braises incandescentes, exclusives aux appareils Napoleon®, créent un effet incandescent réaliste et unique qui est différent dans chaque installation. Prenez le temps de bien installer les braises incandescentes pour obtenir le meilleur effet possible. La couleur des bûches peut varier. Lors de la première utilisation de l'appareil, les couleurs deviendront plus uniformes à mesure que leurs pigments seront « absorbés » pendant le procédé de « cuisson ».



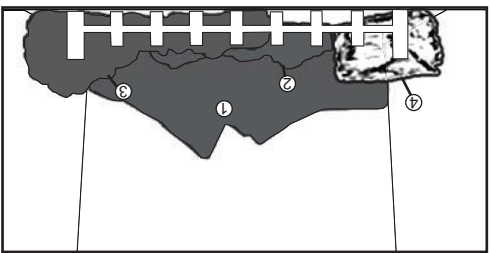
**A.** Placez la bûche arrière de sorte qu'elle s'appuie sur les deux supports à bûche situés sur le mur arrière de la chambre de combustion. L'espace d'air entre la bûche et l'arrière de la chambre de combustion sert à faciliter la circulation de l'air comburant.



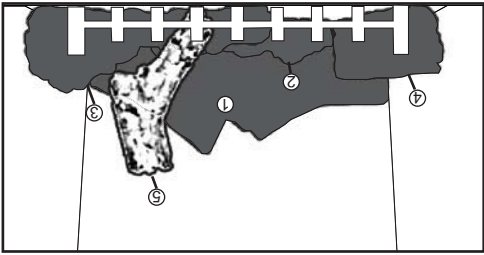
**B.** Placez la bande de charbon de bois en alignant les trous sous la bande avec les tiges situées sur le brûleur. Assurez-vous que la bande soit à plat sur le brûleur.



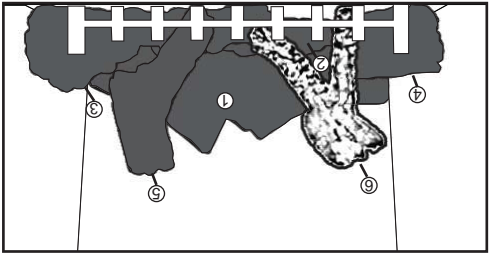
**C.** Placez la bûche avant droite juste en arrière du chenet en alignant les trous sous la bûche avec les tiges situées sur le support à bûches.



**D.** Placez la bûche gauche en alignant le trou sous la bûche avec la tige située du côté gauche du support à bûches.



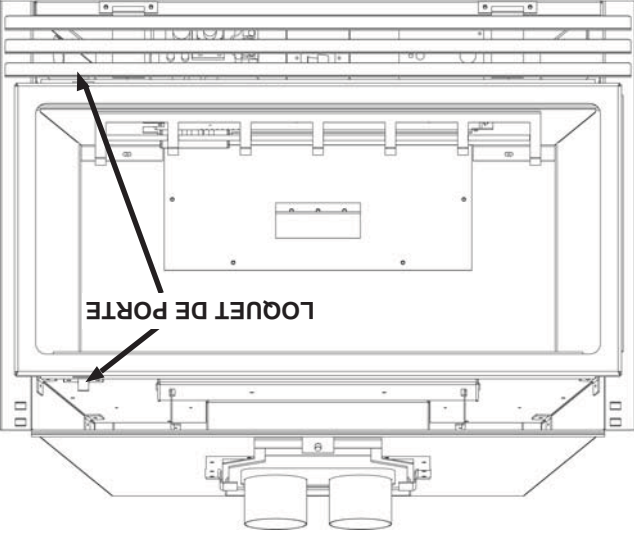
**E.** Alignez le trou carré de la bûche transversale droite avec la tige carrée située du côté droit de la bûche et installez tel qu'illustré.



**F.** Alignez le trou rectangulaire de la bûche transversale gauche avec la tige rectangulaire située du côté gauche de la bûche et installez tel qu'illustré.

<b>! AVERTISSEMENT</b>
LA VITRE PEUT ÊTRE CHAUDE, NE TOUCHEZ PAS LA VITRE JUSQU'À CE QU'ELLE AIT REFROIDI.
LES LOQUETS DE PORTE FONT PARTIE D'UN DISPOSITIF DE SÉCURITÉ ET DOIVENT ÊTRE ADEQUATEMENT VERROUILLÉS. NE FAITES PAS FONCTIONNER L'APPAREIL LORSQU'IL Y A DES LOQUETS SONT DÉVERROUILLÉS.
LES MATÉRIAUX DE FAÇADE ET DE FINITION NE DOIVENT PAS NUIRE À LA CIRCULATION DE L'AIR DANS LES OUVERTURES D'AIR ET LES PERSIENNES, NI AU FONCTIONNEMENT DES PERSIENNES OU DES PORTES. ILS NE DOIVENT PAS NON PLUS ENTRAVER L'ACCÈS POUR L'ENTRETIEN. RESPECTEZ TOUS LES DÉGAGEMENTS AUX MATÉRIAUX COMBUSTIBLES.
AVANT D'ENLEVER LA PORTE, ÉTEIGNEZ L'APPAREIL ET ATTENDEZ QUE CE DERNIER SOIT FROID AU TOUCHER. LES PORTES SONT LOURDES ET FRAGILES; MANIPULEZ AVEC SOIN.

75.1

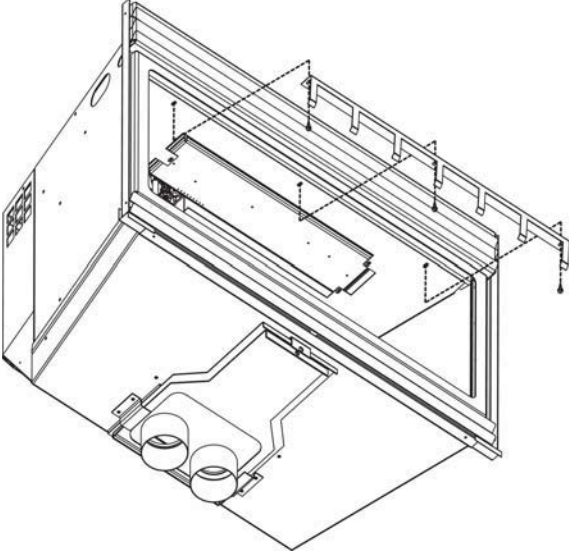


Les persiennes supérieures doivent être enlevées pour ouvrir et fermer la porte. Ouvrez la porte de contrôle de la soupape pour avoir accès au loquet inférieur de la porte. Déverrouillez les loquets supérieur et inférieur situés du côté droit de la porte.

**NOTE :** L'emballage de protection sur les pièces plaquées s'enlève mieux lorsque l'assemblage est à température ambiante ou lorsqu'il est chauffé avec un séchoir à cheveux ou une autre source de chaleur similaire.

#### 4.3 INSTALLATION DU CHENET

- A. Retirez les 3 vis situées à l'endroit indiqué à la base de la chambre de combustion.
- B. À l'aide des 3 vis, fixez le chenet à la base de la chambre de combustion.



## 4.0 FINITIONS

<b>AVERTISSEMENT</b>	
RISQUE D'INCENDIE!	
N'OBSTRUEZ JAMAIS L'OUVERTURE SUR LE DEVANT DE L'APPAREIL.	
<p>LA FAÇADE DE L'APPAREIL DOIT ÊTRE FAITE DE MATÉRIEAUX INCOMBUSTIBLES COMME DE LA BRIQUE, DU MARBRE, DU GRANITE, ETC., À CONDITION QUE CES MATÉRIEAUX NE SE TROUVENT PAS EN DEÇÀ DE LA DIMENSION SPÉCIFIÉE TEL QU'ILLUSTRE. COMME ALTERNATIVE, VOUS POUVEZ UTILISER LE PANNEAU DE GYPSE COMME FINITION POUR VOTRE APPAREIL, VOIR LES ILLUSTRATIONS À SUIVRE.</p>	
<p>NE FRAPPEZ PAS, NE CLAQUEZ PAS ET N'ÉGRATIGNEZ PAS LA PORTE VITRÉE. NE FAITES PAS FONCTIONNER L'APPAREIL LORSQUE LA PORTE VITRÉE EST ENLEVÉE, FISSURÉE, BRISÉE OU ÉGRATIGNÉE.</p>	
<p>LES MATÉRIEAUX DE FAÇADE OU DE FINITION NE DOIVENT JAMAIS EMPÎÊTER SUR L'OUVERTURE DE L'APPAREIL.</p>	

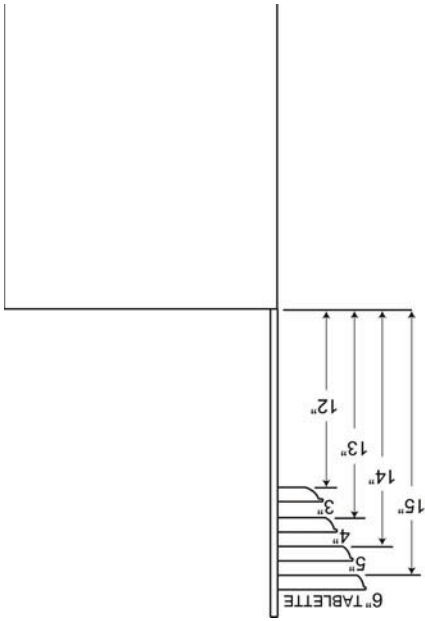
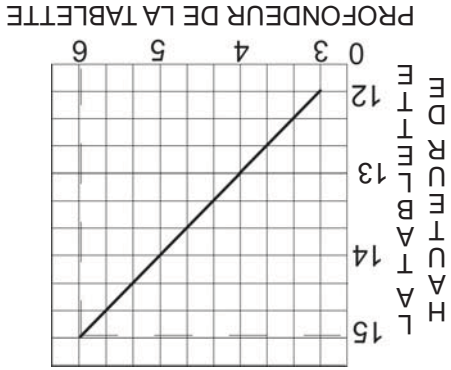
72.1A

### 4.1 DÉGAGEMENTS MINIMAUX DE LA TABLETTE

<b>AVERTISSEMENT</b>	
<p>RISQUE D'INCENDIE. CONSERVEZ TOUS LES DÉGAGEMENTS AUX MATÉRIEAUX COMBUSTIBLES SPÉCIFIÉS. NE PAS RESPECTER CES INSTRUCTIONS PEUT CAUSER UN INCENDIE OU UNE SURCHAUFFE. ASSUREZ-VOUS QUE TOUTS LES DÉGAGEMENTS (ARRIÈRE, CÔTÉS, DESSUS, ÉVÉNEMENTS, TABLETTE, FAÇADE, ETC.) SONT RESPECTÉS À LA LETTRE.</p>	
<p>LORSQUE VOUS UTILISEZ DE LA PEINTURE OU DU VERNIS COMME FINITION POUR VOTRE TABLETTE, ASSUREZ-VOUS QU'ILS SOIENT RÉSISTANTS À LA CHALEUR AFIN DE PRÉVENIR LA DÉCOLORATION.</p>	

73.1

Le dégagement d'une tablette combustible à l'appareil peut varier selon la profondeur de la tablette. Utilisez le graphique pour vous aider à déterminer le dégagement nécessaire. Les mêmes dégagements aux matériaux combustibles s'appliquent pour toutes les surfaces en projection sur les côtés de l'appareil.



**BRANCHEMENT DU GAZ**

**! AVERTISSEMENT**

RISQUE D'INCENDIE, D'EXPLOSION OU D'ASPHYXIE. ASSUREZ-VOUS QU'IL N'Y AIT AUCUNE SOURCE D'ALLUMAGE COMME DES ÉTINCELLES OU UNE FLAMME NUE.

SOUTENEZ LE CONTRÔLE DU GAZ LORSQUE VOUS ATTACHEZ LE TUYAU POUR ÉVITER DE PLIER LA CONDUITE DE GAZ.

ALLUMEZ TOUJOURS LA VEILLEUSE, QUE CE SOIT POUR LA PREMIÈRE FOIS OU LORSQUE L'APPROVISIONNEMENT EN GAZ EST ÉPUISÉ, AVEC LA PORTE VITRÉE OUVERTE OU RETIRÉE. LA PURGE DOIT ÊTRE EFFECTUÉE PAR UN TECHNICIEN QUALIFIÉ. ASSUREZ-VOUS QUE L'ARRIVÉE DE GAZ AU BRÛLEUR EST CONTINUE AVANT DE FERMER LA PORTE. ASSUREZ-VOUS D'UNE VENTILATION ADEQUATE. POUR LES EMPLACEMENTS DE L'ENTRÉE DE GAZ ET DE L'ENTRÉE ÉLECTRIQUE, VOIR LA SECTION « DIMENSIONS »

LORSQUE LE BRANCHEMENT EST TERMINÉ, TOUS LES RACCORDS DE GAZ DOIVENT SE TROUVER À L'INTÉRIEUR DU FOYER.

LES PRESSIONS ÉLEVÉES ENDOMMAGERONT LA SOUPAPE. L'ALIMENTATION EN GAZ DOIT ÊTRE DÉBRANCHÉE PENDANT LES ESSAIS DE PRESSION DE CE SYSTÈME LORSQUE LES PRESSIONS D'ESSAI EXCÈDENT ½ LB/PO² (3,5 KPA).

LES RÉGLAGES DE LA SOUPAPE ONT ÉTÉ FAITS EN USINE; NE LES MODIFIEZ PAS.

L'installation et l'entretien doivent être effectués par un installateur qualifié.

- A.** Mettez l'appareil en place et fixez-le.
- B.** Si l'appareil est muni d'un raccord flexible, celui-ci est conçu pour recevoir une conduite de gaz de 1/2". Sans raccord flexible, l'appareil est conçu pour recevoir une conduite de gaz de 3/8". L'appareil est muni d'une soupape d'arrêt manuelle pour fermer l'alimentation en gaz.
- C.** Branchez le gaz en conformité avec les codes locaux. En l'absence de codes locaux, l'installation doit être conforme au Code d'installation du gaz CAN/GSA-B149.1 dans sa version pour le Canada ou le National Fuel Gas Code, ANSI Z223.1 / NFPA 54 pour les États-Unis.
- D.** Lorsque vous manipulez des conduites de gaz, soutenez la soupape de gaz pour éviter que les conduites ne se plient.
- E.** Le raccord flexible de l'alimentation en gaz devrait être suffisamment mobile pour permettre de placer l'assemblage du brûleur sur le côté.
- F.** Vérifiez pour des fuites de gaz en appliquant une solution d'eau savonneuse. **N'utilisez pas une flamme nue.**

30.1A

**3.4 INSTALLATION DE L'INTERRUPTEUR MURAL OPTIONNEL**

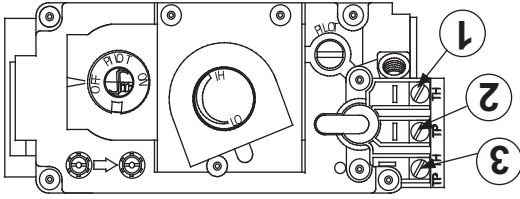
**! AVERTISSEMENT**

**NE RACCORDEZ PAS L'INTERRUPTEUR MURAL, LE THERMOSTAT OU LA SOUPAPE DE GAZ À L'ALIMENTATION ÉLECTRIQUE DE 110 VOLTS.**

Pour faciliter l'accès, un interrupteur mural ou un thermostat mural peut être installé à un endroit pratique. Passez un fil millivoit à deux brins (noyau solide) de la soupape à l'interrupteur mural ou au thermostat millivoit. La longueur maximale dépend du calibre du fil :

**DIAMÈTRE DU FIL LONGUEUR MAX.**

calibre 14	100 pieds
calibre 16	60 pieds
calibre 18	40 pieds



Déconnectez les fils des bornes 1 et 3 (de l'interrupteur

marche/arrêt) et remplacez-les par les fils de l'interrupteur mural/thermostat millivoit.

50.1

## 3.2 INSTALLATION DE LA CHEMINÉE

L'installation de la cheminée doit être conforme aux normes des codes nationaux et locaux. La cheminée doit être munie d'un conduit de 2" ou 3" de diamètre pour la prise d'air et d'un conduit de 3" de diamètre pour l'évacuation. Les longueurs minimales et maximales des gaines sont respectivement de 10 et 35 pieds. Les ensembles d'évents Napoléon recommandés sont offerts en trois longueurs :

<b>1 GAINÉ DE 2" ET 1 GAINÉ DE 3" EN ALUMINIUM À DOUBLE PAROI - PRISE D'AIR ET ÉVACUATION &amp; 2 RÉDUCTEURS DE 3" À 2" :</b>	
GDI-2320KT	ENSEMBLE D'ÉVENTS 20 PI
GDI-2325KT	ENSEMBLE D'ÉVENTS 25 PI
GDI-2335KT	ENSEMBLE D'ÉVENTS 35 PI
<b>2 GAINES DE 3" EN ALUMINIUM À DOUBLE PAROI - PRISE D'AIR ET ÉVACUATION :</b>	
GDI-320KT	ENSEMBLE D'ÉVENTS 20 PI
GDI-325KT	ENSEMBLE D'ÉVENTS 25 PI
GDI-335KT	ENSEMBLE D'ÉVENTS 35 PI

Bien que les gaines doivent être continues de l'appareil au chapeau de la cheminée, elles peuvent être raccordées pour obtenir la longueur désirée en utilisant une bague d'accouplement approuvée. Nous recommandons que la gaine d'évacuation qui traverse une zone non chauffée telle que des cheminées extérieures de grande taille soit enveloppée dans un manchon isolant, ceci afin d'éviter la condensation et les effets de reflux. Pour plus de détails, consultez le guide de dépannage. Cet appareil est approuvé pour installation avec une gaine de 2" de diamètre pour la prise d'air et une gaine de 3" de diamètre pour l'évacuation. Pour une performance optimale, nous vous conseillons d'utiliser deux gaines de 3" de diamètre. Si une gaine de 2" de diamètre est utilisée pour la prise d'air, il sera peut-être nécessaire d'ajuster le volet d'air primaire.

### A. L'EXTÉRIEUR : Faites glisser

l'extrémité d'une gaine un minimum de 2" par-dessus le manchon de la terminaison. Fixez à l'aide de 3 vis. Scellez ensuite le joint et les têtes de vis avec un scellant à haute température. Recommencez avec l'autre gaine.

### NOTE : Nous recommandons

que l'autre extrémité de la gaine d'évacuation soit identifiée pour éviter qu'elle ne soit

### B.

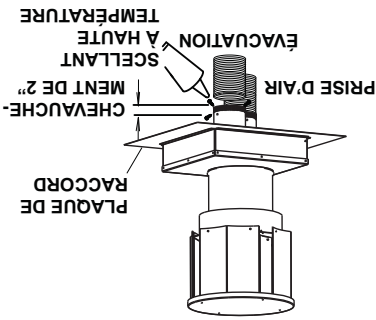
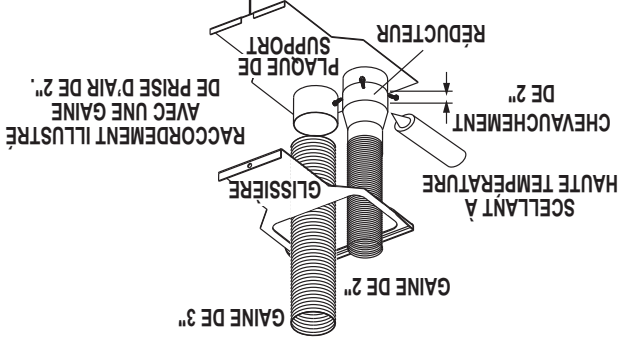
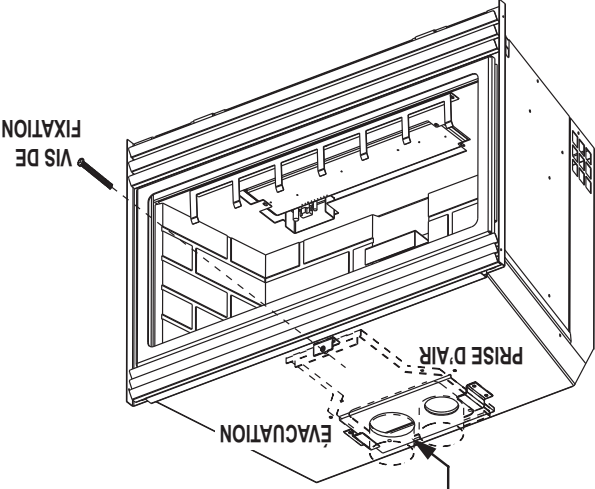
Étirez doucement les gaines jusqu'aux longueurs désirées et insérez-les dans la cheminée. Découpez et placez la plaque de raccord afin qu'elle s'adapte au chapeau de la cheminée. Placez la terminaison par-dessus la cheminée. Rendre-la étanche en la scellant avec du caiffeurage (non fourni). Fixez à la cheminée avec des vis et des chevilles (non fournies).

### C. L'INTÉRIEUR : Retirez la vis de fixation du devant de

la plaque de support des évents. Engagez seulement la plaque de support des évents dans la glissière et tirez-la jusqu'au support de fixation à l'avant. Installez la plaque coulissante de la même façon. Réinstallez la vis de fixation. Vous pouvez à présent installer l'encastrement dans son emplacement définitif à l'intérieur de l'appareil de chauffage au bois, avec la vis de fixation bien serrée de façon à ce que la plaque coulissante soit solidement fixée au support de fixation.

### D.

Faites passer les gaines flexibles à travers la plaque coulissante. Fixez les gaines à la plaque de support des évents en suivant la même procédure qu'auparavant, en vous assurant que la gaine d'évacuation identifiée soit fixée au collet d'évacuation.





### 3.1

## MISE À NIVEAU DE L'ENCASTRE

Placez l'encastre le plus près possible de son emplacement définitif à l'intérieur du foyer à bois. Cet appareil est muni de quatre vis de réglage situées sous le support à bûches. Mettez à niveau en réglant les vis de réglage afin d'éliminer les balancements et le bruit excessif lorsque la soufflerie est en marche. Une fois que l'appareil est à niveau, ne le mettez que partiellement en place afin d'effectuer tous les raccordements. Il est difficile de mettre à niveau l'encastre une fois qu'il est installé. Déterminez la profondeur requise avant d'installer l'appareil puis ajustez les quatre vis de réglage en conséquence.

68.4A

Si l'appareil de chauffage au bois ne possède pas de trou d'accès pour le raccordement au gaz, un trou d'accès de 1 1/2 pouce ou moins peut être pratiqué selon les règles du métier à travers les côtés intérieurs ou le plancher de l'appareil. Ce trou d'accès doit être bouché d'isolant incombustible une fois que le tuyau d'alimentation en gaz a été installé. Assurez-vous que la porte de la trappe de ramonage existante soit bien fermée. Les briques réfractaires, la porte vitrée, le glissière, le rideau pare-étincelles et les supports à bûches peuvent être retirés de l'appareil existant avant d'installer l'encastre. Les tablettes de fumée, les écrans et les déflecteurs peuvent être retirés s'ils sont fixés avec des attaches mécaniques. Les ouvertures de ventilation de l'appareil peuvent être obscurcies par les plaques de fond, les moulires en aluminium, etc., mais ces composants ne doivent pas être installés de façon à sceller hermétiquement les ouvertures.

Retirez les cendres de l'appareil de chauffage au bois. Assurez-vous que la cheminée et l'appareil de chauffage au bois sont propres et en bon état et qu'ils sont construits avec des matériaux incombustibles. Si nécessaire, faites faire les travaux de réparation par une personne qualifiée avant d'installer l'encastre. Enlevez le registre de l'appareil de chauffage au bois ou fixez-le en position ouverte. À l'aide de vis, fixez l'étiquette d'avertissement à l'intérieur de la chambre de combustion de l'appareil existant, dans lequel l'encastre sera installé. Les composants en tôle de l'appareil existant, dans lequel l'encastre sera installé, ne doivent pas être sectionnés.

**WARNING:** THIS FIREPLACE HAS BEEN CONVERTED FOR USE WITH A GAS FIREPLACE PARTS HAVE BEEN REPLACED AND THE FIREPLACE IS RE-APPROVED BY THE AUTHORITY HAVING JURISDICTION.

**ATTENTION:** CE Foyer à été converti afin d'être utilisé seulement comme foyer encastré au gaz et ne peut être utilisé pour brûler du bois ou tout autre combustible solide. Sans que toutes les pièces originales aient été remplacées et que le foyer soit approuvé de nouveau par les autorités ayant juridiction.

**ADVERTENCIA:** ESTA CHIMENEA SE REMODELÓ PARA USARSE SOLO CON UNA INSERCIÓN DE CHIMENEA A GAS Y NO PUEDE USARSE PARA QUEMAR MADERA NI COMBUSTIBLES SÓLIDOS. A MENOS QUE SE HAYAN REEMPLAZADO TODAS LAS PIEZAS ORIGINALES, Y LA AUTORIDAD JURISDICCIONAL LA HAYA VUELTO A APROBAR.

W365-0199\_B

**RISQUE D'INCENDIE. CONSERVEZ LES DÉGAGEMENTS NÉCESSAIRES AU CONDUIT D'ÉVENT ET À L'APPAREIL.**

**AVERTISSEMENT**

## 3.0 INSTALLATION

l'information précise.

Cette illustration est à titre de référence seulement. Consultez la plaque d'homologation pour obtenir

Pour l'emplacement de la plaque d'homologation, voir la section « VUE D'ENSEMBLE DE L'INSTALLATION ».

**d'homologation correspondant au modèle, au type d'évacuation et au type de gaz de l'appareil.**

**INSTALLATEUR: Il est de votre responsabilité de cocher les cases appropriées sur la plaque**

<p>WOLF STEEL LTD. 24 NAPOLÉON ROAD, BARRIE, ONTARIO CANADA</p>	
<p>SERIAL NUMBER / NO. DESERIE: <b>GDPC130</b></p>	
<p>WOLF STEEL LTD. IS A MEMBER OF THE WOLF STEEL GROUP.</p>	
<p>MANUAL FOR GREATER EXTENSIONS: PROJECTING A MAXIMUM 3" FROM THE WALL TO THE TOP OF THE UNIT IS 12". SEE OWNERS PROTECTING A MAXIMUM 3" FROM THE WALL TO THE BOTTOM OF A COMBUSTIBLE MANTLE. MINIMUM FIREPLACE SIZE IS HEIGHT 21 1/2" DEPTH 18" WIDTH 28". THE MINIMUM INSIDE FLUE WARNING: FOR INSTALLATION INTO A VENTED NON-COMBUSTIBLE FIREPLACE ONLY, THE RESEALING IS NECESSARY AFTER SERVING THE VENT AIR INTAKE SYSTEM. OWNERS INSTALLATION MANUAL FOR VENTING SPECIFICS. PROPER REINSTALLATION AND ELECTRICAL RATING: 115V, 15 AMP 60HZ.</p>	
<p>WARNING: DO NOT ADD ANY MATERIAL TO THE APPLIANCE, WHICH WILL COME IN CONTACT WITH THE FLAMES, OTHER THAN THAT SUPPLIED BY THE MANUFACTURER WITH THE APPLIANCE. THE APPLIANCE MUST BE VENTED USING THE APPROPRIATE WOLF STEEL VENT KIT. SEE OWNERS INSTALLATION MANUAL FOR VENTING SPECIFICS.</p>	
<p>NOT FOR USE WITH SOLID FUEL PRESSION D'ALIMENTATION MAX: 7" D'UNE COLONNE D'EAU (GN) MAX SUPPLY PRESSURE: 7" W.C. (GN) PRESSION D'ALIMENTATION MIN: 4.5" D'UNE COLONNE D'EAU (GN) MIN. SUPPLY PRESSURE: 4.5" W.C. (GN) PRESSION AU COLLECTEUR: 3.5" D'UNE COLONNE D'EAU (GN) MANIFOLD PRESSURE: 3.5" W.C. (GN) LONGUEURS VERTICALES MINIMALES ET MAXIMALES SONT 10 PIEDS ET 35 PIEDS RESPECTIVEMENT MINIMUM AND MAXIMUM VERTICAL VENT LENGTHS ARE 10 FEET AND 35 FEET RESPECTIVELY 15,000 BTU/h REDUCED INPUT / ALIMENTATION REQUIRE 24,500 BTU/h 0-4500FT INPUT / ALIMENTATION ALTITUDE / ELEVATION GD1-30N / CDI-30N <input type="checkbox"/> 4001658 (WLS) <input type="checkbox"/> 4001658 (NAC) <input type="checkbox"/> 4001657 (N02) <input type="checkbox"/> 4001659 (WUSA)</p>	
<p>UN COMBUSTIBLE SOLIDE NE DOIT PAS ETRE UTILISE AVEC CET APPAREIL UTILISER AVEC LES PORTES VITRES HOMOLOGUEES SEULEMENT AVEC CETTE UNITÉ. AVERTISSEMENT: N'AJOUTEZ PAS A CET APPAREIL AUCUN MATERIAU DEVANT ENTRER EN CONTACT AVEC LES FLAMMES AUTRES QUE CELUI QUI EST FOURNI AVEC CET APPAREIL PAR LE FABRICANT. CLASSE: 15A, 15 AMP 60HZ</p>	
<p>NORMALE EST 12" REFERER AU MANUEL D'INSTALLATION POUR DES EXTENSIONS PLUS GRANDES. COMBUSTIBLE FORMANT UNE PROJECTION MAXIMALE DE 3" DU MUR AU DESSUS DE LA GARNITURE MINIMUM DE CONJUNT D'EVACUATION EST 21 1/2" LA DISTANCE MINIMALE DU BAS DU MANTREAU MINIMUMS SONT: HAUTEUR 21 1/2", PROFONDEUR 18", LARGEUR 28". LE DIAMETRE INTERIEUR ATTENTION: POUR L'INSTALLATION DANS UN FOYER VENTILE EN MACONNERIE, LES DIMENSIONS DU SYSTEME DE PRISE D'AIR ESTI APPORTANT DE BIEN REINSTALLER ET RESECTER L'EVENT APRES AVOIR ASSURE LE MANTRE L'APPAREIL DOIT EVACUER SES GAZ EN UTILISANT L'ENSEMBLE D'EVACUATION PROPRE A WOLF STEEL. REFERER AU MANUEL D'INSTALLATION DE PROPRIETAIRE POUR L'EVACUATION PRECISE. IL EST NECESSAIRE DE BIEN REINSTALLER ET RESECTER L'EVENT APRES AVOIR ASSURE LE MANTRE</p>	

## 2.5 INFORMATION À PROPOS DE LA PLAQUE D'HOMOLOGATION

Le modèle au gaz naturel. Le modèle au gaz naturel ne peut être placé que dans une maison mobile installée en permanence et alimentée au gaz naturel.

Cet appareil n'est pas approuvé pour installation dans un placard ou en retrait. Il est approuvé pour installation dans les salles de bain, les chambres à coucher et les chambres studio et convient pour installation dans les maisons mobiles. Le modèle au gaz naturel ne peut être placé que dans une maison mobile installée en permanence et alimentée au gaz naturel.

Lorsque l'appareil est installé à des élévations dépassant 4 500 pieds, et en l'absence de recommandations spécifiques de l'autorité compétente locale, l'indice certifié du débit à haute altitude devra être réduit au taux de 4 % pour chaque 1 000 pieds supplémentaires. Les bruits causés par l'expansion et la contraction lors des cycles de chauffage et de refroidissement sont tout à fait normaux et il faut s'y attendre.

Modèle no GD1-30

**64,5 %**

Cote énergétique des foyers à gaz

**ENERGUIDE**

Canada

Basée sur la norme CSA P.4.1-02

ENERCHOICE

ENER CHOICE

ENERCHOICE.ORG

- L'appareil n'est pas approuvé pour installation dans une chambre à coucher ou une salle de bain à moins d'être un appareil avec une chambre de combustion scellée à évacuation directe.

L'installation doit se conformer aux codes locaux. En l'absence de codes locaux, l'installation doit être conforme au Code d'installation du gaz naturel et du propane CSA B149.1 au Canada ou au National Fuel Gas Code, ANSI Z223.1/NFPA 54 aux États-Unis. Cet appareil convient pour installation dans une maison mobile si l'installation est conforme aux normes actuelles pour les maisons mobiles équipées au gaz CAN/CSA Z240 SÉRIE MM au Canada ou selon les normes ANSI Z223.1 et NFPA 54 aux États-Unis.

Certains appareils ont une soufflerie ou un ensemble de deux souffleries optionnel. Si la soufflerie ou l'ensemble de deux souffleries optionnel est installé, la boîte de dérivation doit être branchée au circuit électrique et mise à la terre conformément aux codes locaux. Utilisez la version courante du Code canadien de l'électricité CSA C22.1 au Canada ou le National Electrical Code ANSI/NFPA 70 aux États-Unis.



Nous suggérons que nos appareils au gaz soient installés et que l'entretien soit effectué par des professionnels certifiés par le National Fireplace Institute® (NFI) comme spécialiste du gaz NFI.

4.12

## 2.4 INFORMATIONS GÉNÉRALES

POUR VOTRE SATISFACTION, CET APPAREIL A ÉTÉ MIS À L'ESSAI POUR CONFIRMER SON FONCTIONNEMENT ET SA QUALITÉ!

### GDI-30

Altitude (PI)	0-4 500	0-4 500
Débit max. (BTU/H)	24 500	24 500
Rend. max. (BTU/H)	20 825	20 825
Efficacité (souf. allumée)	85 %	85 %
A.F.U.E. (valeur maximale)	82 %	82 %
Pression minimale d'alimentation en gaz	4,5" de colonne d'eau	11" de colonne d'eau
Pression maximale d'alimentation en gaz	7" de colonne d'eau	13" de colonne d'eau
Pression au collecteur (lorsque le gaz circule)	3,5" de colonne d'eau	10" de colonne d'eau

- Un détecteur de monoxyde de carbone est requis dans toutes les pièces contenant des appareils allumés au gaz.
- Le raccord flexible ne doit pas mesurer plus que 36 pouces.
- La soupape d'arrêt doit être un robinet à gaz avec une poignée en T.
- Le registre de l'appareil doit être enlevé ou bloqué en le soudant en position ouverte avant d'installer un encastrement ou un ensemble sachusets.
- Ce produit doit être installé par un plombier certifié ou un installateur pour le gaz lorsque installé dans le Commonwealth du Massachusetts. Les pratiques d'installation peuvent varier d'une région à l'autre. Il est donc important de connaître les normes aux codes locaux. Par exemple dans l'état du Massachusetts:

**CET APPAREIL AU GAZ DEVRAIT ÊTRE INSTALLÉ ET ENTRETENU PAR UN INSTALLATEUR QUALIFIÉ** en se conformant aux codes locaux. Les pratiques d'installation peuvent varier d'une région à l'autre. Il est donc important de connaître les normes spécifiques qui s'appliquent à votre région. Par exemple dans l'état du Massachusetts:

**LES PRESSIONS ÉLEVÉES ENDOMMAGERONT LA SOUPAPE. L'ALIMENTATION EN GAZ DOIT ÊTRE DÉBRANCHÉE PENDANT LES ESSAIS DE PRESSION DE CE SYSTÈME LORSQUE LES PRESSIONS D'ESSAI EXCÈDENT ½ LB/PO² (3,5 KPA). FERMEZ LA SOUPAPE D'ARRÊT MANUELLE PENDANT TOUT ESSAI DE PRESSION DU SYSTÈME D'ALIMENTATION EN GAZ LORSQUE LA PRESSION EST DE ½ LB/PO² (3,5 KPA) OU MOINS.**

**N'UTILISEZ QUE LES ACCESSOIRES OPTIONNELS ET LES PIÈCES DE RÉCHANGE APPRUVÉES PAR WOLF STEEL POUR CET APPAREIL. L'UTILISATION D'ACCESSOIRES NON LISTÉS (SOUFFLERIE, PORTES, PERSIENNES, MOULURES, COMPOSANTS DE GAZ, COMPOSANTS D'ÉVACUATION, ETC.) POURRAIT ÊTRE NON SÉCURITAIRE ET ANNULER LA GARANTIE ET LA CERTIFICATION.**

**ALLUMEZ TOUJOURS LA VEILLEUSE, QUE CE SOIT POUR LA PREMIÈRE FOIS OU LORSQUE L'APPROVISIONNEMENT EN GAZ EST ÉPUISÉ, AVEC LA PORTE VITRÉE OUVERTE OU RETIRÉE. PRÉVOYEZ UN ACCÈS SUFFISANT POUR ENTREtenir ET OPÉRER L'APPAREIL. ASSUREZ-VOUS D'UNE QUANTITÉ SUFFISANTE D'AIR DE VENTILATION. N'OBSTRUEZ JAMAIS L'OUVERTURE DE L'APPAREIL. LES OBJETS PLACÉS DEVANT L'APPAREIL DOIVENT ÊTRE GARDÉS À UNE DISTANCE D'AU MOINS 48" DE LA FACE VITRÉE DE L'APPAREIL. LES SURFACES AUTOUR ET SURTOUT AU-DESSUS DE L'APPAREIL PEUVENT DEVENIR CHAUDES. NE TOUCHEZ PAS L'APPAREIL QUAND IL FONCTIONNE. RISQUE D'INCENDIE OU D'EXPLOSION.**

**AVERTISSEMENT**

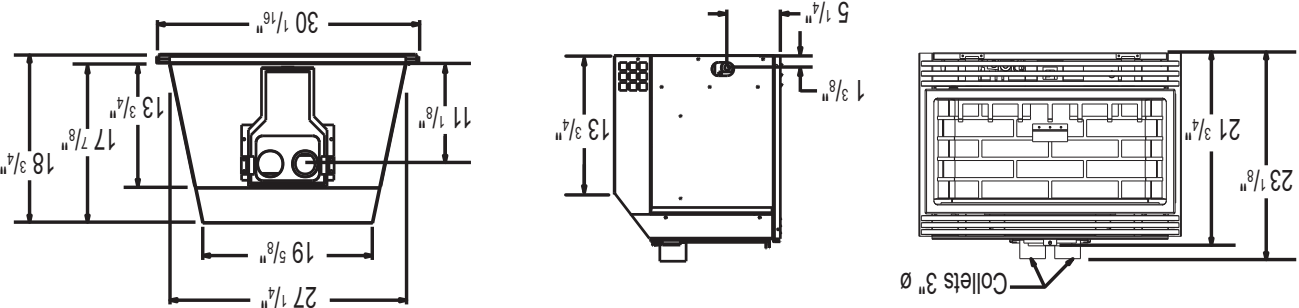
**2.3 INSTRUCTIONS GÉNÉRALES**

La distance minimale entre le dessous d'une tablette décorative combustible qui ressort un maximum de 3" et le haut de l'ouverture des persiennes est de 12".

**HAUTEUR 21,75" LARGEUR 28" PROFONDEUR 18"**  
Le diamètre minimal du conduit de la cheminée doit être de 6" rond.

Cet appareil ne doit être encasté que dans un foyer à bois ventilé incombustible (préfabriqué ou en maçonnerie). L'appareil dans lequel l'encastrement est installé doit avoir les dimensions minimales suivantes :

**2.2 DÉGAGEMENTS AUX MATÉRIAUX COMBUSTIBLES**



**2.1 DIMENSIONS**

## ! AVERTISSEMENT

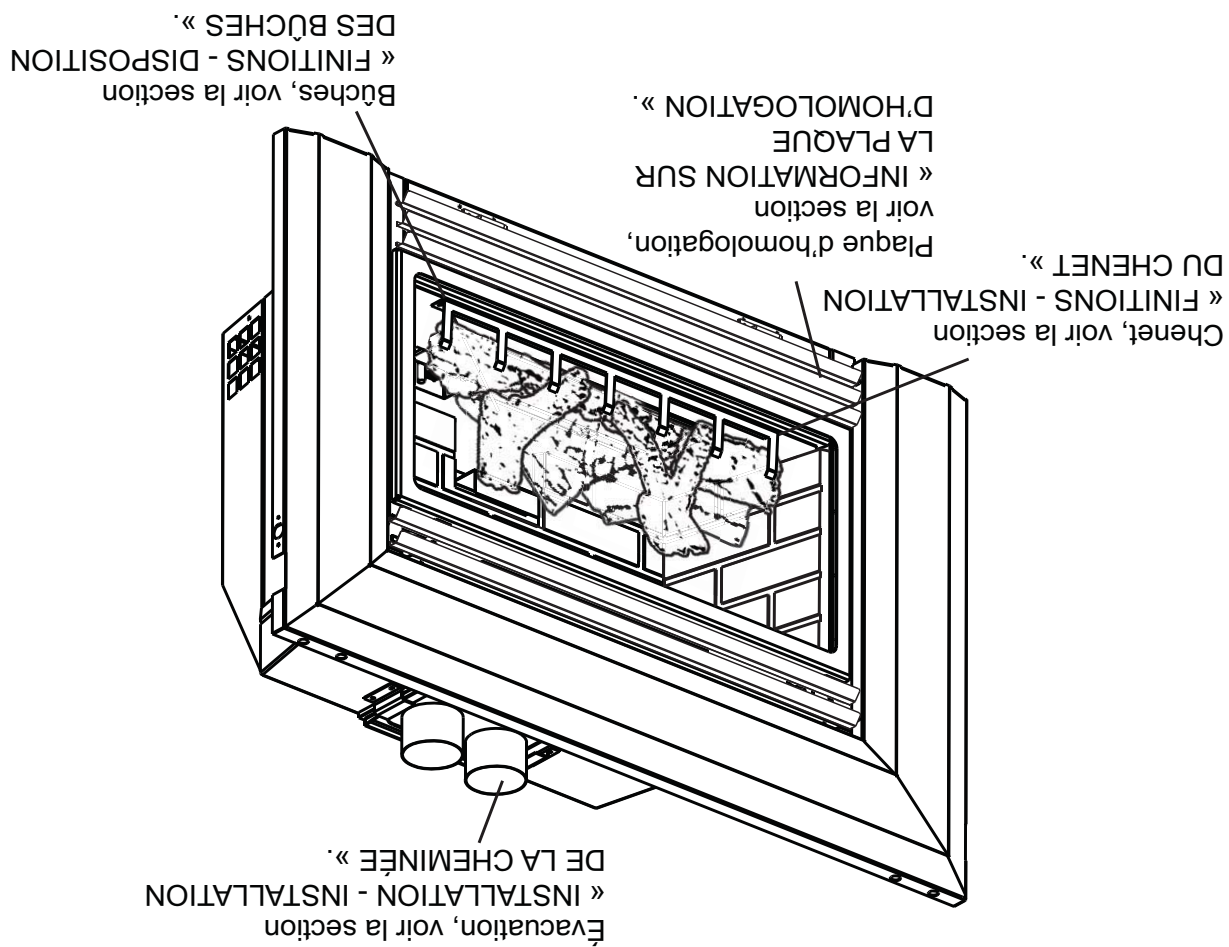
- **CET APPAREIL EST CHAUD LORSQU'IL FONCTIONNE ET PEUT CAUSER DE GRAVES BRÛLURES EN CAS DE CONTACT.**
- **TOUTE MODIFICATION APPORTÉE À CET APPAREIL OU AUX CONTRÔLES PEUT ÊTRE DANGEREUSE ET EST INTERDIT.**

- Ne faites pas fonctionner l'appareil avant d'avoir lu et compris les instructions d'opération. Omettre d'utiliser l'appareil selon les instructions d'opération pourrait causer un incendie ou des blessures.
- Risque d'incendie ou d'asphyxie. Ne faites pas fonctionner l'appareil avec la vitre retirée.
- Ne branchez pas la souape à du courant 110 volts.
- Risque de brûlures. L'appareil doit être éteint et refroidi avant d'effectuer un entretien.
- N'installez pas de composants endommagés ou incomplets ni des composants substitués.
- Risque de coupures et d'éraflures. Portez des gants protecteurs et des lunettes de sécurité lors de l'installation. Les bordures des pièces de métal peuvent être coupantes.
- Ne brûlez pas de bois ou autres matériaux dans cet appareil.
- Les enfants et les adultes devraient être informés des dangers que posent les températures de surface élevées et se tenir à distance afin d'éviter des brûlures ou que leurs vêtements ne s'enflamment.
- Les jeunes enfants doivent être supervisés attentivement lorsqu'ils sont dans la même pièce que l'appareil. Les jeunes enfants et autres personnes sont sujets aux brûlures accidentelles. Une barrière de protection est recommandée si des individus à risque se trouvent dans la maison. Afin de restreindre l'accès à l'appareil, installez une barrière de protection ajustable pour garder les jeunes enfants ou autres personnes à risque hors de la pièce et loin des surfaces chaudes.
- Les vêtements et autres matériaux combustibles ne doivent pas être posés sur l'appareil ou à proximité.
- En raison des températures élevées, l'appareil devrait être placé loin des endroits passants et loin des meubles et des rideaux.
- Assurez-vous de disposer de mesures de sécurité adéquates pour empêcher les jeunes enfants de toucher aux surfaces chaudes.
- Même une fois que l'appareil est éteint, la vitre et/ou le pare-étincelles demeureront chauds pendant un temps prolongé.
- Consultez votre détaillant local de foyer pour connaître les grillages de sécurité et les écrans offerts pour protéger les enfants des surfaces chaudes. Ces grillages de sécurité et ces écrans doivent être fixés au plancher.
- Les grillages de sécurité ou écrans enlevés pour faire l'entretien devront être remis en place avant d'utiliser l'appareil.
- Cet appareil est un appareil à gaz ventilé. Ne brûlez pas de bois ou autres matériaux dans cet appareil.
- Il est primordial de garder propres les compartiments de contrôle, les brûleurs, la soufflerie, les bouches d'air de l'appareil ainsi que le système d'évacuation. L'appareil et son système d'évacuation doivent être inspectés avant la première utilisation et au moins une fois l'an par un spécialiste en entretien. Un entretien plus fréquent pourrait être nécessaire en raison des peluches provenant des tapis, literie, etc. L'emplacement de l'appareil doit être gardé libre de tous matériaux combustibles, essence ou autres liquides et vapeurs inflammables.
- Cet appareil ne devra être modifié en aucun cas.
- Cet appareil ne doit pas être raccordé au conduit d'une cheminée desservant un autre appareil de chauffage à combustible solide.

- N'utilisez pas cet appareil si une partie quelconque a été submergée. Contactez immédiatement un technicien de service qualifié pour inspecter l'appareil et pour remplacer toute pièce du système de contrôle et du contrôle du gaz qui aurait été submergée.
- Ne pas opérer l'appareil lorsque la porte vitrée est enlevée, fissurée ou brisée. Le remplacement de la vitre devra être effectuée par un technicien de service certifié ou qualifié.
- Ne frappez pas et ne claquez pas la porte vitrée de l'appareil.
- Lorsque l'appareil est muni de portes d'évacuation de pression, elles doivent demeurer fermées pendant le fonctionnement de l'appareil afin d'empêcher les gaz de combustion contenant du monoxyde de carbone de s'infiltrer dans la maison.
- Seules les portes/fagades certifiées pour cet appareil peuvent être utilisées avec cet appareil.
- Gardez les matériaux d'emballage hors de la portée des enfants et mettez ces matériaux au rebut de façon sécuritaire. Comme tous les emballages de plastique, ces matériaux ne sont pas des jouets et doivent demeurer hors de la portée des enfants et des bébés.

- Comme dans le cas de tout appareil à combustion, il est recommandé de faire inspecter et entretenir votre appareil régulièrement. De même, installez un détecteur de monoxyde de carbone dans la pièce pour vous protéger, ainsi que votre famille, contre les intoxications.
- Assurez-vous de respecter les dégagements aux matériaux combustibles lorsque vous installez un manteau ou des tablettes au-dessus de l'appareil. Les téléviseurs et autres composants électroniques soumis à des températures élevées peuvent fondre, se déformer, se décolorer et entraîner des défaillances prématurées de ces appareils.
- Cet appareil utilise et requiert un thermocouple à action rapide. Remplacez uniquement par un thermocouple à action rapide de Wolf Steel liée.

# 1.0 VUE D'ENSEMBLE DE L'INSTALLATION



# TABLE DES MATIÈRES

<b>1.0</b>	<b>VUE D'ENSEMBLE DE L'INSTALLATION</b>	
<b>2.0</b>	<b>INTRODUCTION</b>	
2.1	DIMENSIONS	4
2.2	DÉGAGEMENTS AUX MATÉRIAUX COMBUSTIBLES	5
2.3	INSTRUCTIONS GÉNÉRALES	5
2.4	INFORMATIONS GÉNÉRALES	6
2.5	INFORMATION À PROPOS DE LA PLAQUE D'HOMOLOGATION	7
<b>3.0</b>	<b>INSTALLATION</b>	<b>8</b>
3.1	MISE À NIVEAU DE L'ENCASTRE	8
3.2	INSTALLATION DE LA CHEMINÉE	9
3.3	BRANCHEMENT DU GAZ	10
3.4	INSTALLATION DE L'INTERRUPTEUR MURAL OPTIONNEL	10
<b>4.0</b>	<b>FINITIONS</b>	<b>11</b>
4.1	DÉGAGEMENTS MINIMAUX DE LA TABLETTE	11
4.2	OUVERTURE ET FERMETURE DE LA PORTE	12
4.3	INSTALLATION DU CHENET	12
4.4	DISPOSITION DES BÛCHES	13
4.5	BRAISES DE CHARBON DE BOIS OPTIONNELLES	14
4.6	BRAISES INCANDESCENTES	14
4.7	MISE EN PLACE DU LOGO	14
<b>5.0</b>	<b>REMPLACEMENT DE LA SOUFFLERIE</b>	<b>15</b>
<b>6.0</b>	<b>FONCTIONNEMENT</b>	<b>16</b>
<b>7.0</b>	<b>RÉGLAGES</b>	<b>17</b>
7.1	RÉGLAGE DE LA VEILLEUSE	17
7.2	RÉGLAGE DU VENTURI	17
7.3	CARACTÉRISTIQUES DE LA FLAMME	18
<b>8.0</b>	<b>ENTRETIEN</b>	<b>18</b>
8.1	SOINS DE LA VITRE	19
8.2	REMPLACEMENT DE LA VITRE DE PORTE	19
<b>9.0</b>	<b>RECHANGES</b>	<b>20</b>
<b>10.0</b>	<b>GUIDE DE DÉPANNAGE</b>	<b>24</b>
<b>11.0</b>	<b>GARANTIE</b>	<b>26</b>
<b>12.0</b>	<b>HISTORIQUE D'ENTRETIEN</b>	<b>27</b>

**NOTE :** Les modifications, autres qu'éditoriales, sont indiquées par une ligne verticale dans la marge.

INSTALLATEUR : LAISSEZ CE MANUEL AVEC L'APPAREIL.  
 PROPRIÉTAIRE : CONSERVEZ CE MANUEL POUR CONSULTATION ULTÉRIEURE.  
 NE LAISSEZ PAS LES ENFANTS OU AUTRES INDIVIDUS À RISQUE SEULS À PROXIMITÉ DE L'APPAREIL.

# INSTRUCTIONS D'INSTALLATION ET D'OPÉRATION



HOMOLOGUÉ SELON LES NORMES NATIONALES CANADIENNES ET AMÉRICAINES CSA 2.22 ET ANSI Z21.50 POUR LES APPAREILS À GAZ VENTILÉS. CERTIFIÉ POUR LE CANADA ET LES ÉTATS-UNIS SELON LES MÉTHODES ANSI/CSA.

## CONSIGNES DE SÉCURITÉ

Si ces instructions ne sont pas suivies à la lettre, un incendie ou une explosion pourrait s'ensuivre, causant des dommages matériels, des blessures corporelles ou des pertes de vie.

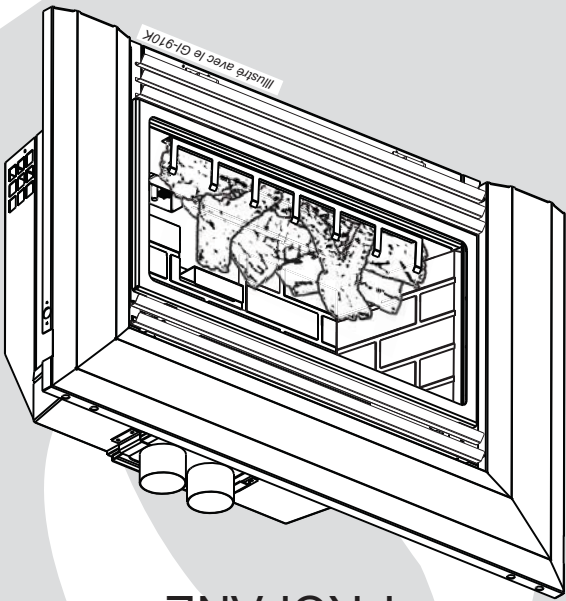
- N'entrez pas et n'utilisez pas d'essence ou autres liquides et vapeurs inflammables à proximité de cet appareil ou tout autre appareil.
- QUE FAIRE SI VOUS DÉTECTEZ UNE ODEUR DE GAZ :
  - N'allumez aucun appareil.
  - Ne touchez à aucun interrupteur électrique;
  - n'utilisez aucun téléphone dans votre immeuble.
  - Appelez immédiatement votre fournisseur de gaz d'un téléphone voisin. Suivez ses instructions.
  - Si vous ne pouvez pas rejoindre votre fournisseur de gaz, appelez le service des incendies.
- L'installation et l'entretien doivent être faits par un installateur qualifié, une agence d'entretien ou le fournisseur.

Cet appareil peut être installé comme équipement d'origine (OEM) dans une maison préfabriquée (E.-U. seulement) ou une maison mobile. Son installation doit être effectuée en respectant les directives du fabricant et le Manufactured Home Construction and Safety Standard, Titre 24 CFR, Part 3280, aux États-Unis, ou les normes actuelles pour les maisons mobiles, CAN/CSA Z240 SÉRIE MM, au Canada.

Cet appareil ne doit fonctionner qu'avec le type de gaz spécifié sur la plaque d'homologation. Un ensemble de conversion est fourni avec l'appareil.



## AVERTISSEMENT



**GDI-30N**  
 GAZ NATUREL  
**GDI-30P**  
 PROPANE



Wolf Steel Ltd., 24 Napoleon Rd., Barrie, ON, L4M 0G8 Canada /  
 103 Miller Drive, Crittenden, Kentucky, USA, 41030  
 Téléphone 705-721-1212 • Télécopieur 705-722-6031 • www.napoleonfoyers.com • ask@napoleon.on.ca