

**INSTALLER:**

Leave this manual with the appliance.

**CONSUMER:**

Retain this manual for future reference.

**WARNING:** If the information in these instructions is not followed exactly, a fire or explosion may result causing property damage, personal injury or death.

**FOR YOUR SAFETY**

Do not store or use gasoline or other flammable vapors and liquids in the vicinity of this or any other appliance.

**WHAT TO DO IF YOU SMELL GAS**

- Do not try to light any appliance.
- Do not touch any electrical switch.
- Do not use any phone in your building.
- Immediately call your gas supplier from a neighbour's phone. Follow the gas supplier's instructions.
- If you cannot reach your gas supplier call the fire department.

Installation and service must be performed by a qualified installer, service agency or the gas supplier.

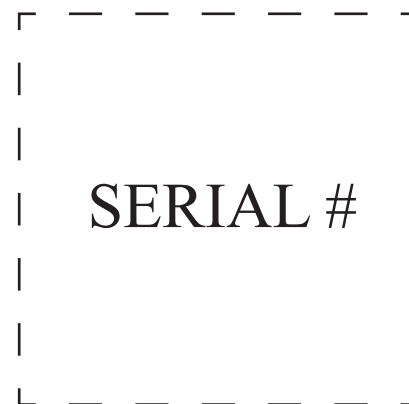
**WARNING:** Solid fuels should not be burned in this appliance.

This appliance is only for use with the type of gas indicated on the rating plate. This appliance is not convertible for use with other gases, unless a certified kit is used.

**WARNING:** Improper installation, adjustment, alteration, service or maintenance can cause injury or property damage. Read the installation, operating and maintenance instructions thoroughly before installing or servicing this equipment.



TOWN & COUNTRY  
L U X U R Y F I R E P L A C E S



**WARNING: FOR OUTDOOR USE ONLY**

**TC42 OUTDOOR GAS  
FIREPLACE INSTALLATION  
AND OPERATING  
INSTRUCTIONS**



**MODEL TC42.OD  
SERIES C  
MODULAR DIRECT VENT  
OUTDOOR FIREPLACE**



Visit [www.townandcountryfireplaces.net](http://www.townandcountryfireplaces.net) for the most recent version of this manual

# Table of Contents

Caution .....	3	Wall Termination Venting Chart .....	21
Safety .....	3	Roof Termination Venting Chart .....	22
Important Note for the Commonwealth of Massachusetts .....	4	Ceiling Opening:.....	23
This Fireplace Is Intended For Outdoor Use Only! .....	5	Ceiling Firestop: .....	23
Fireplace Dimensions .....	6	Vent Pipe:.....	23
Minimum Clearances To Combustible Material .....	6	Roof Support Bracket: .....	23
Installation Requirements .....	7	Roof Vent Terminal: .....	24
Window Frame Removal .....	7	Vent Terminal Clearance .....	25
Top Standoffs .....	8	Roof Pitch Table.....	25
Locating The Fireplace .....	8	Vent Terminal Minimum Clearances .....	25
Framing and Finishing .....	9	Vent Pipe Sealant .....	26
TC42 Steel Stud Framing Kit .....	11	Vent Restrictor Adjustment .....	27
Assembly Instructions.....	11	Firebox Panels Installation .....	28
Adjustable Lintel .....	13	Lighting Instructions .....	30
Hearth Extension .....	14	First Fire .....	30
Honeywell Control Valve Plumbing and Electrical .....	15	Maintenance .....	31
Installation.....	15	Glass Panel: .....	31
Gas Supply .....	16	Annual Inspection: .....	31
Gas Pressure Check .....	16	Periodically:.....	31
Correct gas pressure requirement: .....	16	Replacement Parts .....	32
Propane Conversion .....	17	Replacement Parts – Honeywell Control System .....	33
Venting .....	18	Wiring Diagram .....	34
Wall Termination Venting .....	18	Wall Shield Ceiling Firestop Thimble.....	35
Wall opening:.....	18	Wall Termination Kit .....	35
Wall thimble:.....	19	Roof Termination Kit.....	35
Vent System Components .....	19	Vent Pipe Dimensions .....	36
Vent pipe: .....	20	Vent Offset Chart .....	37
Wall vent terminal:.....	20	Rating Label Location .....	38

**WARNING**

**HOT GLASS WILL  
CAUSE BURNS.**

**DO NOT TOUCH GLASS  
UNTIL COOLED.**

**NEVER ALLOW CHILDREN  
TO TOUCH GLASS.**



## Caution

**FOR YOUR SAFETY - Do not install or operate your Town & Country fireplace without first reading and understanding this manual. Any installation or operational deviation from the following instructions voids the Town & Country Fireplaces™ Warranty and may prove hazardous.**

This appliance and its individual shut off valve must be disconnected from gas supply piping system during any pressure testing of that system at test pressures in excess of 1/2 psig (3.5 kPa).

This appliance must be isolated from the gas supply piping system by closing its individual manual shut off valve during any pressure testing of the gas supply piping system at test pressures equal to or less than 1/2 psig (3.5 kPa).

Note: When lit for the first time, the appliance will emit a slight odour for a couple of hours. This is due to the curing of paints, sealants and lubricants used in the manufacturing process. This condition is temporary. Open doors and windows to ventilate area. Smoke and fumes caused by the curing process may cause discomfort to some individuals.

Do not use the fireplace if any part has been under water. Immediately call a qualified service technician to inspect the fireplace and to replace any part of the control system and any gas control which has been under water.

We recommend that our gas hearth products be installed and serviced by professionals who are certified in the United States by the National Fireplace Institute® (NFI) as NFI Gas Specialists

WARNING: Do not store or use gasoline or other flammable vapors and liquids in the vicinity of this or any other appliance.

DANGER: If you smell gas:

1. Shut off gas to the appliance.
2. Extinguish any open flame.
3. If odor continues, keep away from the appliance and immediately call your gas supplier or fire department.

DANGER: CARBON MONOXIDE HAZARD

This appliance can produce carbon monoxide which has no odor. Using it in an enclosed space can kill you. Never use this appliance in an enclosed space such as a camper, tent, car or home.

## Safety

Due to high temperatures, this gas appliance should be located out of traffic and away from furniture and draperies.

Children and adults should be alerted to the hazards of high surface temperatures and should stay away to avoid burns or clothing ignition.

Young children should be carefully supervised when they are in the same room as the appliance.

Clothing or other flammable material should not be placed on or near the appliance.

Any grill, panel or door removed for servicing the unit must be replaced prior to operating. Failure to do so may create a hazardous condition.

Installation and repair should be done by a qualified service person. The appliance should be inspected before use and at least annually by a professional service person. More frequent cleaning may be required due to excessive lint from carpeting, bedding material, etc.. It is imperative that control compartments, burners and circulating air passageways of the appliance be kept clean.

It is our policy that no responsibility is assumed by the Company or by any of its employees or representatives for any damages caused by an inoperable, inadequate, or unsafe condition which is the result, either directly or indirectly, of any improper operation or installation procedures.

This appliance must not be connected to a chimney flue serving a separate solid fuel burning appliance.

# — Important Note for the Commonwealth of Massachusetts —

From Massachusetts Rules and Regulations 248 CMR 5.08:

- (a) For all side wall horizontally vented gas fuelled equipment installed in every dwelling, building or structure used in whole or in part for residential purposes, including those owned or operated by the Commonwealth and where the side wall exhaust vent termination is less than seven (7) feet above finished grade in the area of the venting, including but not limited to decks and porches, the following requirements shall be satisfied.
1. **INSTALLATION OF CARBON MONOXIDE DETECTORS.** At the time of installation of the side wall horizontal vented gas fuelled equipment, the installing plumber or gas fitter shall observe that a hard wired carbon monoxide detector with an alarm and battery back-up is installed on the floor level where the gas equipment is to be installed, in addition, the installing plumber or gas fitter shall observe that a battery operated or hard-wired carbon monoxide detector with an alarm is installed on each additional level of the dwelling, building or structure served by the side wall horizontal vented gas fuelled equipment. It shall be the responsibility of the property owner to secure the services of qualified licensed professionals for the installation of hard-wired carbon monoxide detectors.
    - a. In the event that the side wall horizontally vented gas fuelled equipment is installed in a crawl space or an attic, the hard-wired carbon monoxide detector with alarm and battery back-up may be installed on the next adjacent floor level.
    - b. In the event that the requirements of this subdivision cannot be met at the time of completion of installation, the owner shall have a period of thirty (30) days to comply with the above requirements; provided, however, that during said thirty (30) day period, a battery operated carbon monoxide detector with an alarm shall be installed.
  2. **APPROVED CARBON MONOXIDE DETECTORS.** Each carbon monoxide detector as required in accordance with the above provisions shall comply with NFPA 720 and be ANSI/UL 2034 listed as IAS certified.
  3. **SIGNAGE.** A metal or plastic identification plate shall be permanently mounted to the exterior of the building at a minimum height of eight (8) feet above grade directly in line with the exhaust vent terminal for the horizontally vented gas fuelled heating appliance or equipment. The sign shall read, in print size no less than one-half (1/2) inch in size, "GAS VENT DIRECTLY BELOW. KEEP CLEAR OF ALL OBSTRUCTIONS"
  4. **INSPECTION.** The state or local gas inspector of the side wall horizontally vented gas fuelled equipment shall not approve the installation unless, upon inspection, the inspector observes carbon monoxide detectors and signage installed in accordance with the provisions of 248 CMR 5.089(2) (a) 1 through 4.
- (b) **EXEMPTIONS.** The following equipment is exempt from 248 CMR 5.089(2)(a) 1 through 4.
1. The equipment listed in Chapter 10 entitled "Equipment Not Required To Be Vented" in the most current edition of NFPA 54 as adopted by the Board; and
  2. Product Approved side wall horizontal vented gas fuelled equipment installed in a room or structure separate from the dwelling, building or structure used in whole or in part for residential purposes.
- (c) **MANUFACTURER REQUIREMENTS – GAS EQUIPMENT VENTING SYSTEM PROVIDED.** When the manufacturer of Product Approved side wall horizontally vented gas equipment provides a venting system design or venting system components with the equipment, the instructions provided by the manufacturer for installation of the equipment and the venting system shall include:
1. Detailed instructions for the installation of the venting system design or the venting system components; and
  2. A complete parts list for the venting system design or venting system.
- (d) **MANUFACTURER REQUIREMENTS – GAS EQUIPMENT VENTING SYSTEM NOT PROVIDED.** When the manufacturer of a Product Approved side wall horizontally vented gas fuelled equipment does not provide the parts for venting the fuel gases, but identifies "special venting systems", the following requirements shall be satisfied by the manufacturer.
1. The referenced "special venting system" instructions shall be included with the appliance or equipment installation instructions; and
  2. The "special venting systems" shall be Product Approved by the Board, and the instructions for that system shall include a parts list and detailed installation instructions.
- (e) A copy of all installation instructions for all Product Approved side wall horizontally vented gas fuelled equipment, all venting instructions, all parts lists for venting instructions, and/or all venting design instructions shall remain with the appliance or equipment at the completion of the installation.

## ———— This Fireplace Is Intended For Outdoor Use Only! ————

- The fireplace must be located inside of a weatherproof enclosure.
- Flashing must be installed around the fireplace opening in accordance with local building codes in order to prevent moisture from entering the enclosure.
- A drip pan (not supplied with the unit) must be installed under the fireplace and be provided with a means of draining.
- Care must be taken to select materials and building practices which will protect the enclosure and fireplace from exposure to moisture.



# Fireplace Dimensions

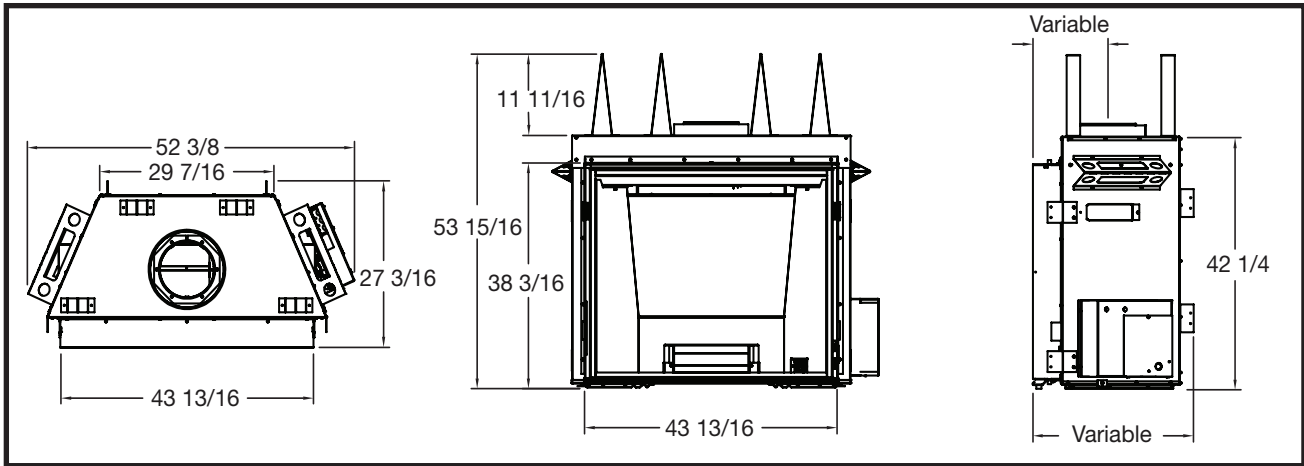


Figure 1: TC42C outdoor dimensions.

## Minimum Clearances To Combustible Material

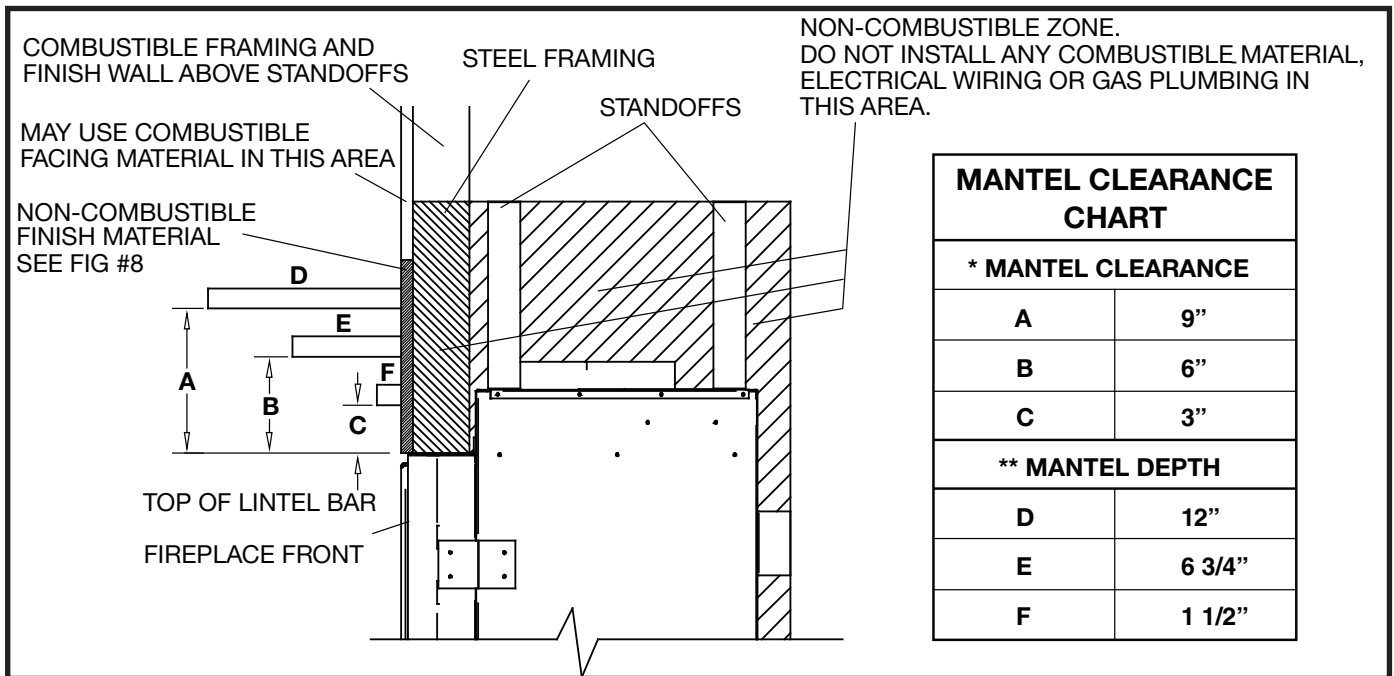


Figure 2: Mantel clearances.

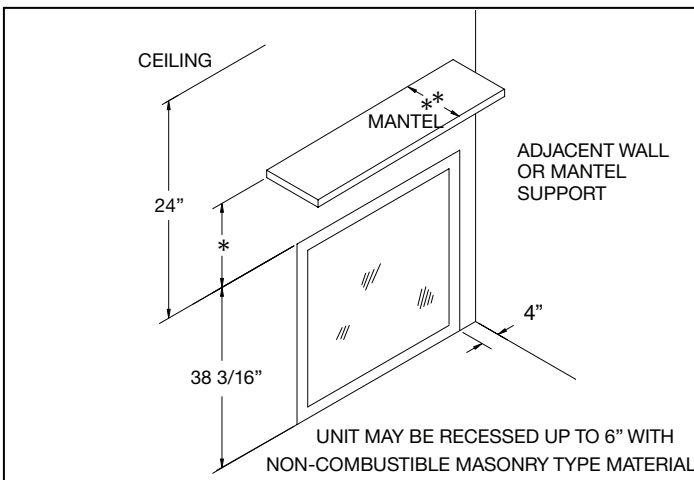


Figure 3: Clearances.

**Minimum Clearances:**

Side standoffs .....	0 in.	(0 mm)
Back standoffs .....	0 in.	(0 mm)
Top standoffs .....	0 in.	(0 mm)
Bottom of appliance .....	0 in.	(0 mm)
Adjacent side wall .....	4 in.	(102 mm)
Ceiling to appliance .....	24 in.	(610 mm)
*Mantel to appliance.....	See Figure #2	
**Maximum Mantel extension .....	See Figure #2	
Mantel support .....	4 in.	(102 mm)
Vertical vent pipe .....	1 3/4" in.	(45 mm)
Horizontal Vent pipe (Top, sides and bottom)	1 3/4" in.	(45 mm)

## Installation Requirements

The Town & Country Fireplace installation and venting must conform to the current CAN/CGA-B149 installation code (in Canada) or the current National Fuel Gas Code, ANSI Z223.1 (in the USA), and approved per local codes. Only qualified (licensed or trained) personnel should install this product.

In the state of Massachusetts, only a licensed Plumber and Gas Fitter may install this product.

## Window Frame Removal

**Warning:** Turn off the fireplace, and allow ample time for the unit to cool before proceeding.

**Caution:** The ceramic glass is very fragile, and should be handled with care.

The window frame is held in place by two spring-loaded latches that are operated by a one-piece latch handle.

1. Remove the stainless steel trim (one piece).
2. Using a screwdriver or other similar object, push against the notch in the top of the latch and grab the bottom of the latch handle as it protrudes. Lift handle until latch hook disengages. Repeat for other side while holding glass so it does not tip out.
3. Tilt the top of the window frame out to clear the top edge of the unit. Grasp the sides of the frame and lift up and out to disengage from its bottom track.
4. Place the window frame in a safe place to avoid damage.
5. Re-assemble in reverse order. Latch handle should snap into place and be flush with window frame when engaged correctly.



Figure 4: Accessing door handle.



Figure 5: Door handle exposed.

### TIP:

To ensure glass is properly latched, grasp the top left and right sides of the glass frame, under moderate pressure it should pull forward and return to original position evenly on both sides.



---

## Top Standoffs

---

The top standoffs are shipped loose inside the fireplace and must be installed on top of the fireplace (Figure 6). Do this once the fireplace is on site and in position.

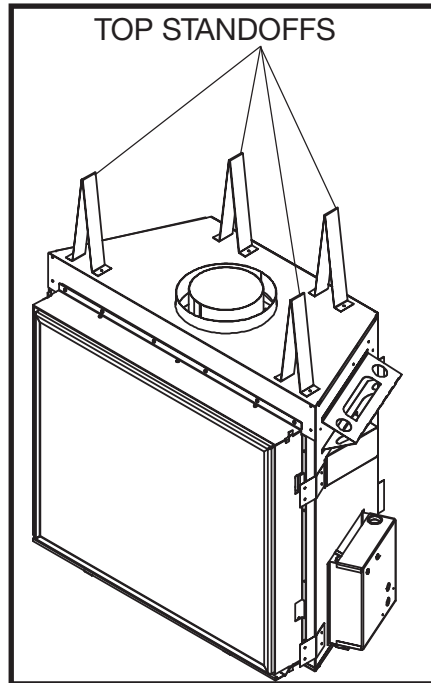


Figure 6: Stand-offs.

---

## Locating The Fireplace

---

In planning the installation for the fireplace, it is necessary to determine where the unit is to be installed, location of vent system and where gas supply piping may be plumbed. Various installations are possible, such as, into an existing wall, a corner, a built-in wall or a wall projection (Figure 7). Due to high temperatures, do not locate this fireplace in areas of high traffic or near furniture or draperies.

**The minimum clearances from the fireplace to combustible surfaces must be adhered to and are shown in Figure 2 and Figure 3.**

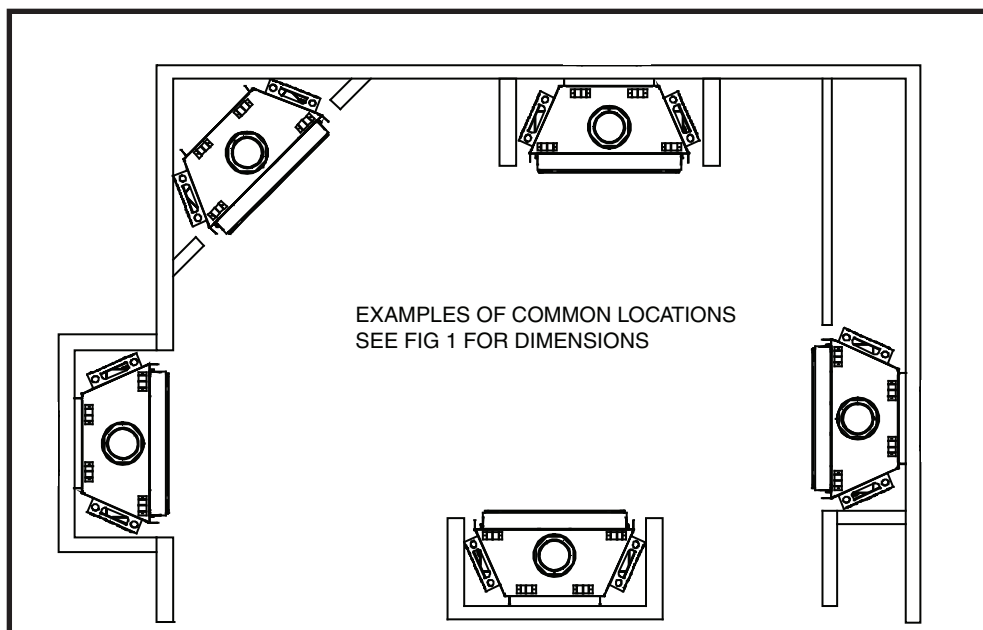


Figure 7: Common locations.



## Framing and Finishing

**Note: The fireplace should be in place and venting installed before framing in or building an enclosure around the unit.**

The Town & Country fireplace must be framed in as described below or totally enclosed with non-combustible material, such as facing brick.

Determine the total thickness of facing material to be used. A thickness of 3/4" will allow the finishing surface to be flush with the front of the unit. If preferred, additional masonry type non-combustible material can be installed above and to the sides up to 6 inches proud of the appliance. The finishing material must not interfere with glass frame access.

A Steel Stud Framing Kit is supplied with the fireplace and must be used unless the fireplace is totally enclosed with non-combustible material.

Assemble the framing kit as per the

instructions on page 11 & page 12 of this manual. Attach the steel frame to the fireplace once the fireplace is in its final position. Secure the steel frame to the framing brackets on each side of the unit. Ensure that the studs are set back far enough to allow for thickness of finishing surface.

The sides, back and top of the fireplace can be framed in up to the steel studs and the fireplace standoffs using conventional lumber. Consult local building codes for specific requirements.

Due to high temperatures, non-combustible backer board, such as cement board, calcium silicate board (Figure 10) or its equivalent, must be used to sheet in the front of the fireplace, extending 12" above and 5 1/2" to the side of the framing edge bars (Figure 9). Standard sheet rock (dry wall) may be used beyond this. Taped and mudded joints may crack due to the elevated temperatures.

Fabricate and install appropriate flashing to local building code.

Note: Installing unit without flashing installed will void the warranty

Note: Provide proper drainage to divert water underneath the unit

Chase Insulation: When installing this fireplace against a non-insulated exterior wall or chase, it is recommended that the outer walls be insulated to same degree as other exterior walls. Do not place fireplace directly against the insulation. Cover the insulation and plastic vapour barrier with a solid surface, such as dry wall (sheet rock). Consult local codes. Do not insulate or use plastic vapour barrier within the framing kit.

**CAUTION: See Figure 10 before proceeding**

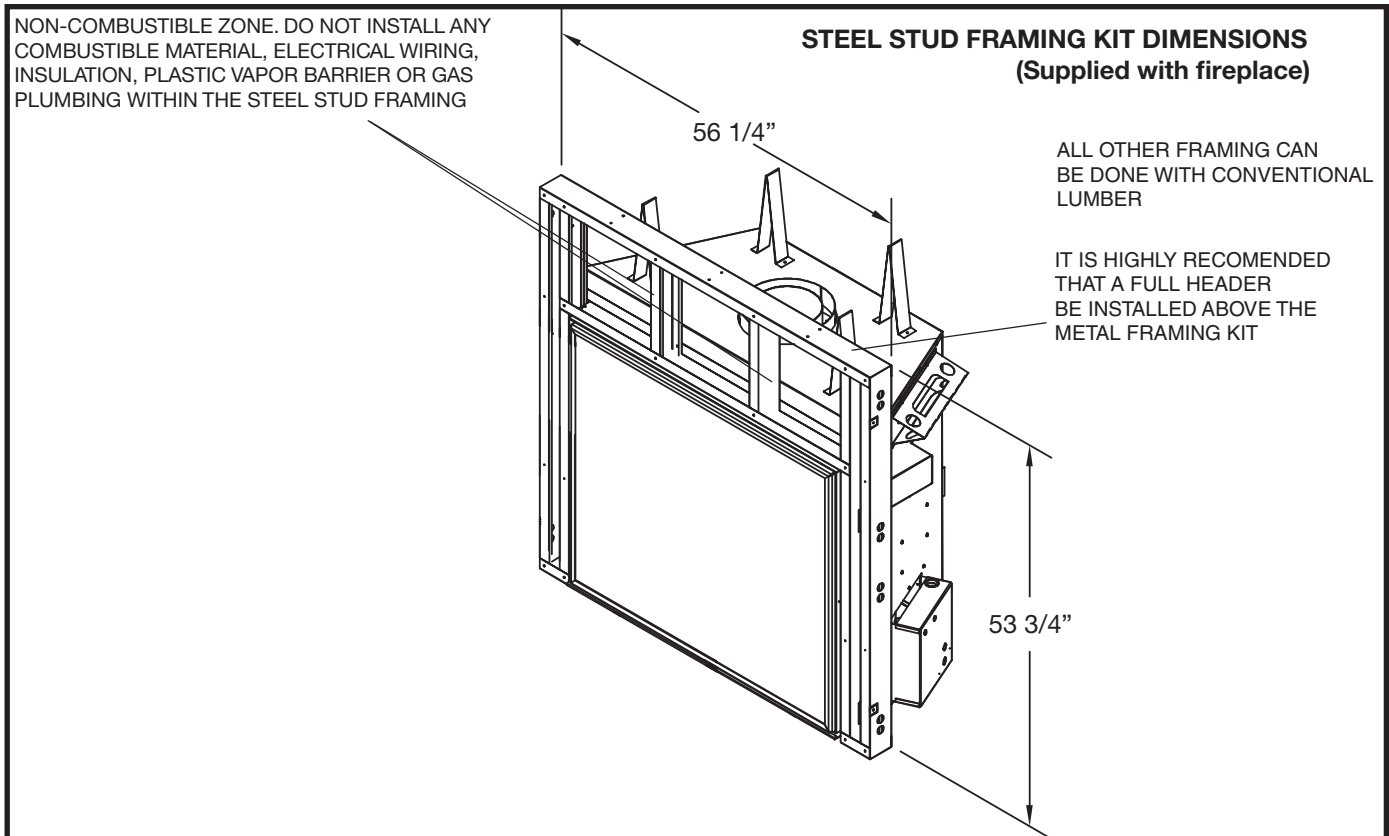


Figure 8: Framing kit dimensions.

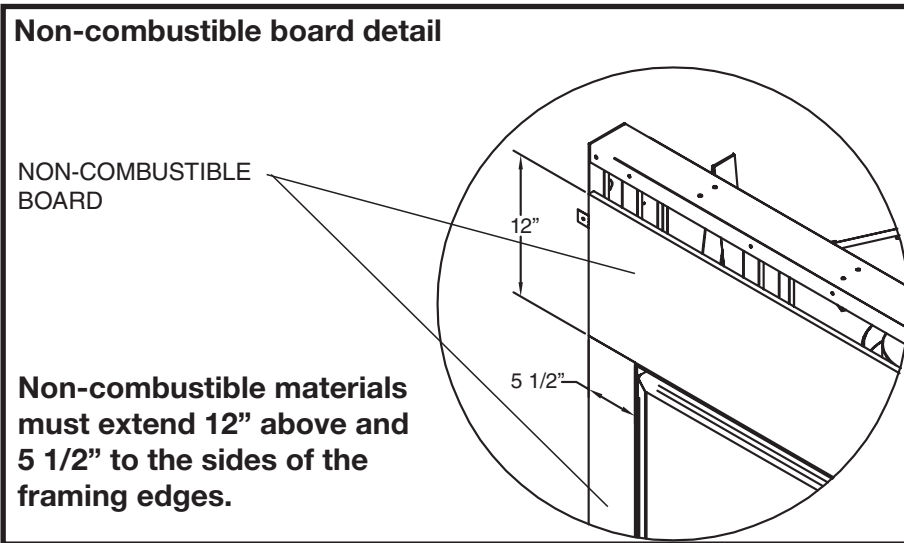


Figure 9: Non-combustible board allowances.

If finishing the wall above the unit with paint, the framing kit shipped with the unit should be discarded and full length metal studs should be used instead to finish and frame around the unit.

It is recommended to use full sheets of calcium silicate board or its equivalent.

Follow the manufacturers mounting and finishing instructions

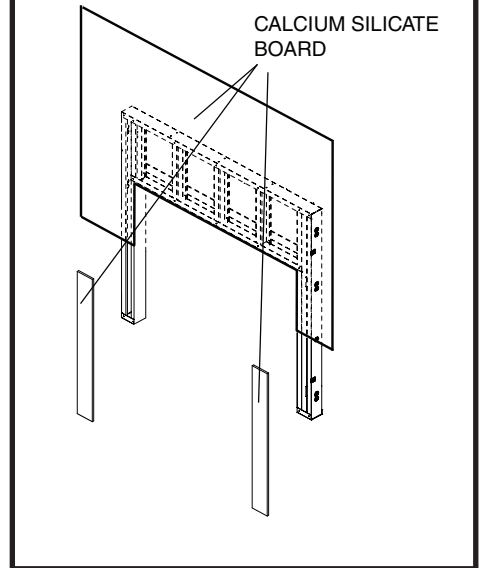
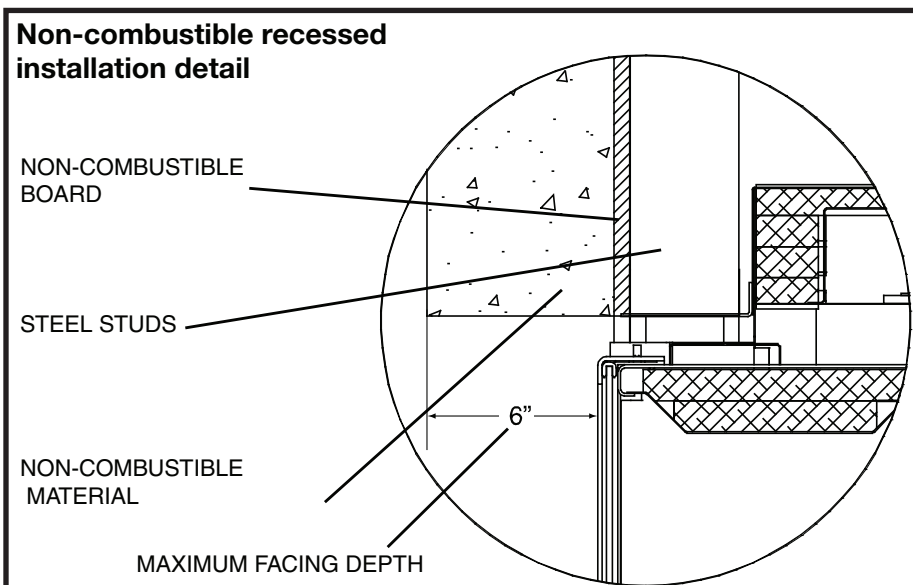


Figure 11: Non-combustible recessed installation.

Figure 10: Calcium silicate board.

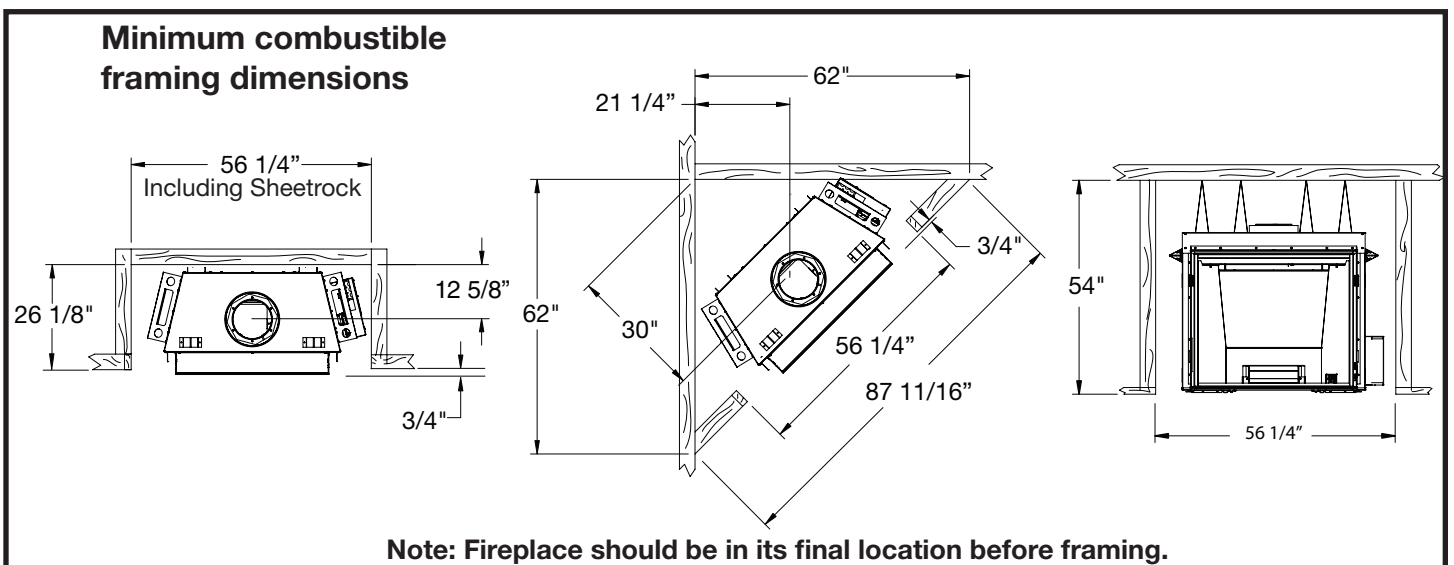
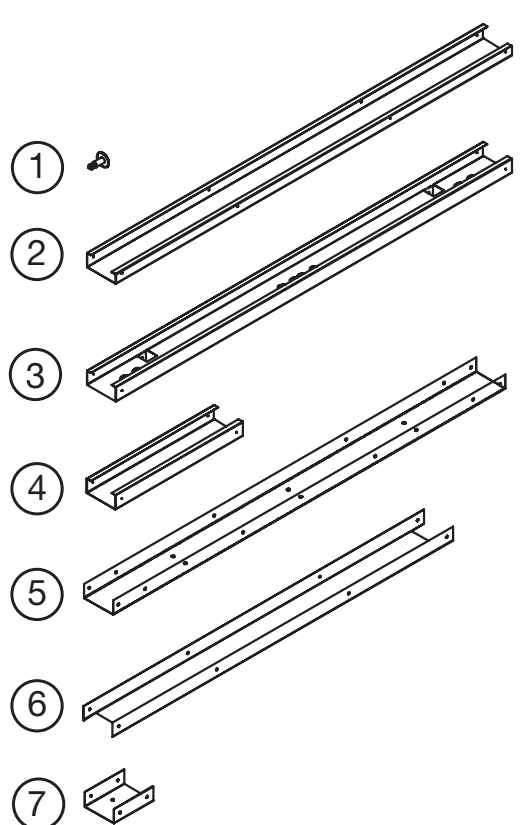


Figure 12: Minimum combustible framing dimensions.

# TC42 Steel Stud Framing Kit

**Framing kit contents:**



Item	Part #	Description	Qty.
1	5049.9912	SCREW, TEKS #8 x 1/2"	Pkg 40
2	9093.03	STUD, SIDES, 53 3/4"L	2
3	9093.1	STUD, OUTER SIDES, 53 3/4"L	2
4	9935.000	STUD, CENTER, 14 15/16"L	2
5	9094	STUD, HEADER, 56 1/8"L	1
6	9934.000	STUD, PLATE, 47 15/16"L	1
7	9945.000	BASE PLATE , 6 1/2"L	2

Figure 13: Framing kit contents.

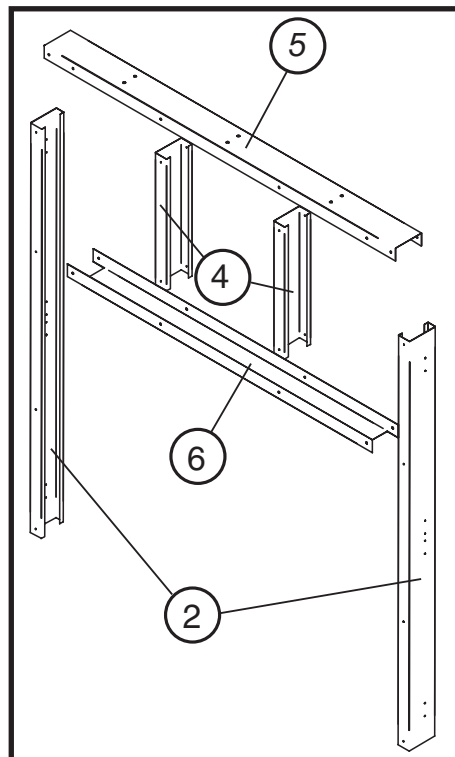


Figure 14: Top frame assembly.

## Assembly Instructions

### 1. Top Frame Assembly

Lay out side studs (2) and center studs (4) on a large flat surface.

Using the screws provided (1), attach the header stud (5) and the plate stud (6) to the center studs (4).

## 2. Attach Side Studs (Legs)

Attach the outer side studs (3) to the top of the header stud (5) (Figure 15).

Fasten the outer side studs (3) at the bottom using the base plates (7).

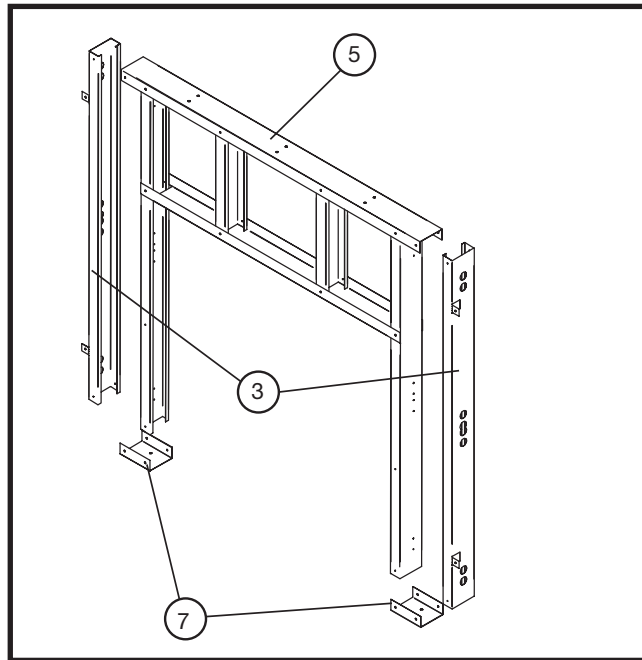


Figure 15: Side stud placement.

## 3. Attach the Assembled Frame to the Unit

Align the assembled frame to the fireplace framing brackets (Figure 16). Attach at the fastening points through the access holes in the outer side studs (3).

## 4. Secure to Existing Framing

Secure the metal frame assembly to existing framing through the stud header (5) and the stud plates (7).

## 5. Install Non-combustible Board on top and sides

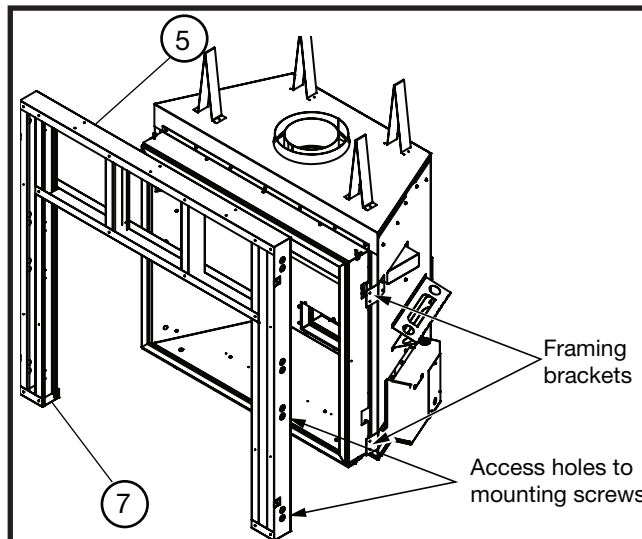


Figure 16: Assembled frame.

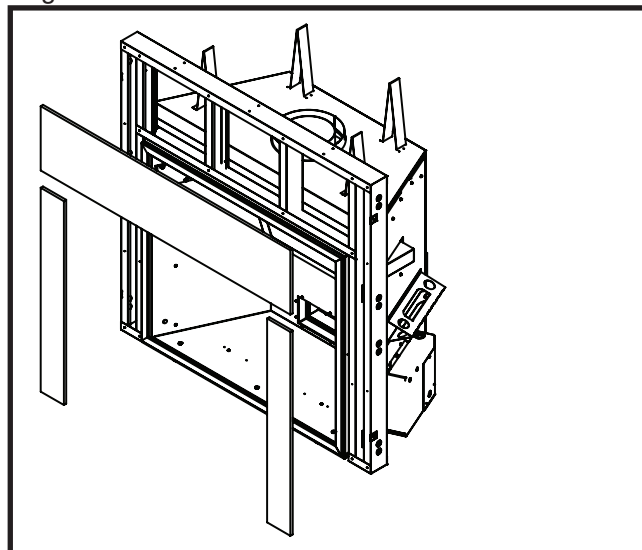


Figure 17: Installing non-combustible board over frame.

## Adjustable Lintel

1. The adjustable lintel assembly has two orientations for desired finishing. A flanged edge and a hemmed edge. The lintel comes factory installed with the flange edge out (Figure 18). If the desired edge is different from the factory setting, use the following steps to change it.
2. Remove the decorative window trim by lifting and pulling it to disengage from the window frame (Figure 19).
3. Loosen the securing bolts in the upper and lower corners on each side of the lintel and remove the lintel. Rotate the assembly to have the desired edge away from the fireplace (Figure 20).
4. The lintel assembly has a maximum range of adjustability of 1" to accommodate varying facing material thicknesses. The maximum depth is 6" (Figure 22).
5. The lintel assembly can then be adjusted to align flush with your facing material by sliding in or out approximately 1".
6. Tighten the securing bolts (Figure 20).
7. Re-attach the decorative window trim.

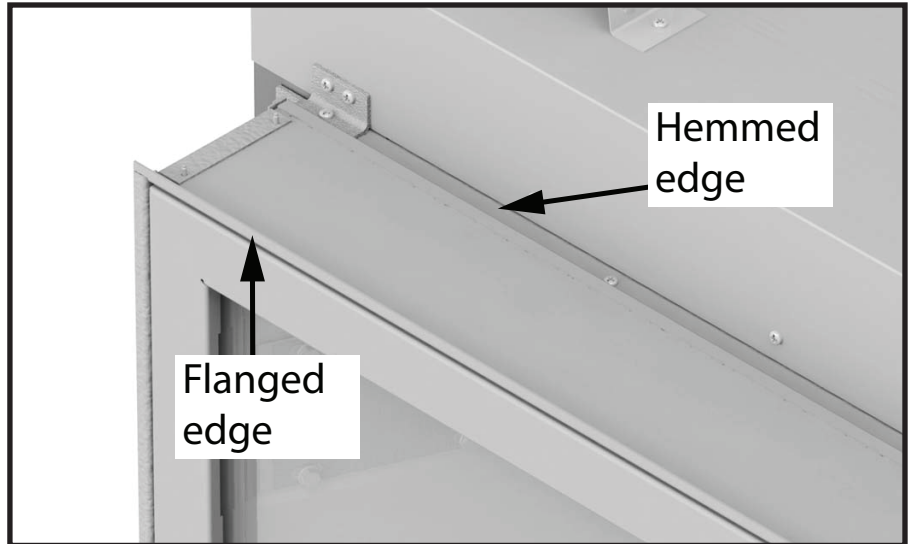


Figure 18: Adjustable lintel.

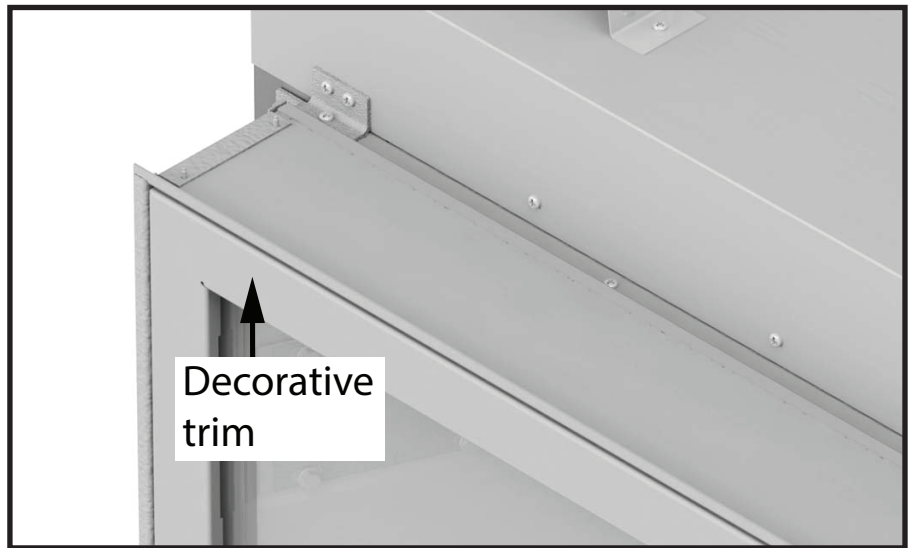


Figure 19: Decorative trim.

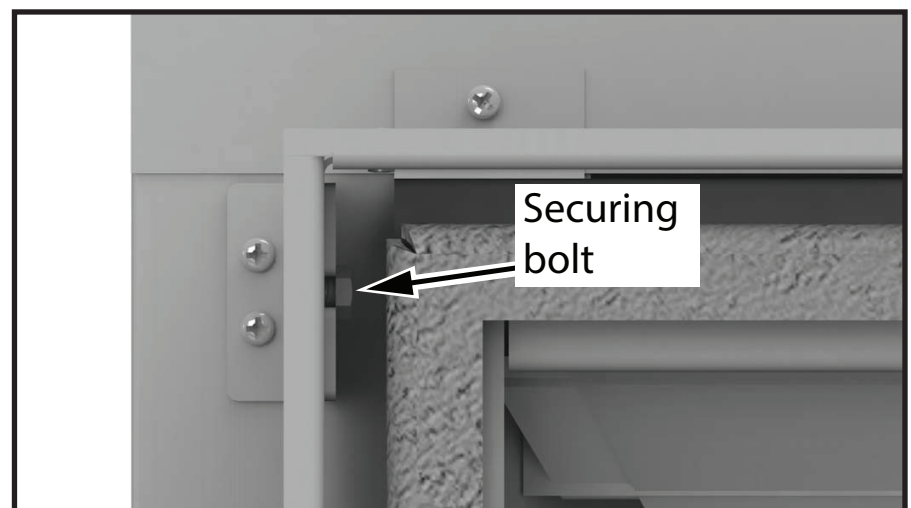


Figure 20: Lintel securing bolt.

# Hearth Extension

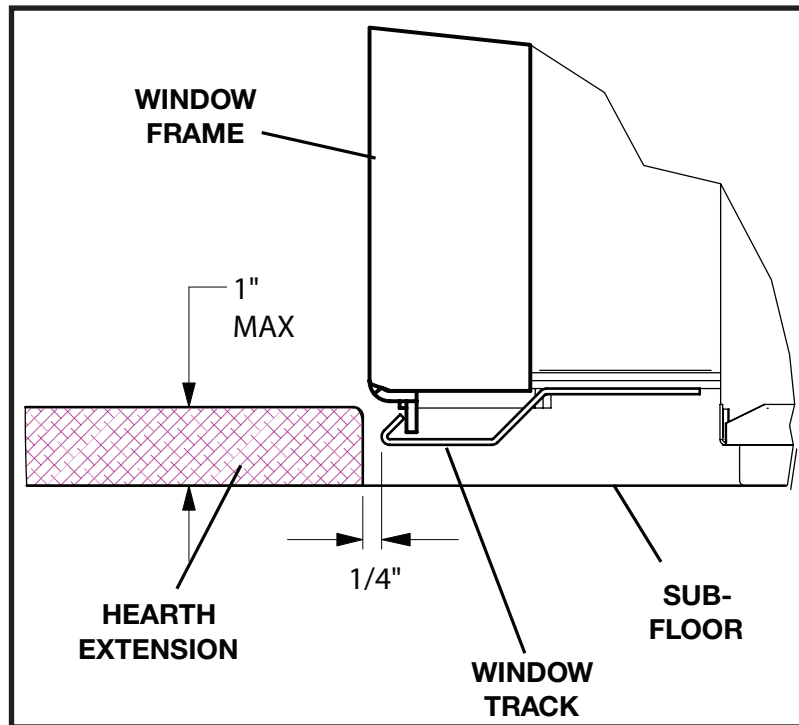


Figure 21: Hearth details.

Caution: While a hearth extension is not required and combustible flooring materials may be brought directly up to the fireplace, many materials (such as wood flooring) may not tolerate the radiant heat from this fireplace, resulting in discoloration, shrinking and cracking. For this reason, we suggest a non-combustible hearth that is no more than 1" above the bottom of the fireplace. If thicker, fireplace must be raised accordingly.

Caution: Hearth extensions thicker than 1" will interfere with the window frame.

This fireplace may be recessed up to a maximum depth of 6". This recess must be constructed from non combustible material. The space between the outside lintels and the firebox must be completely free of any debris and the window with trim fitted must be able to move freely. No building material is permitted to protrude past the lintel bars attached to the fireplace under ANY circumstance.

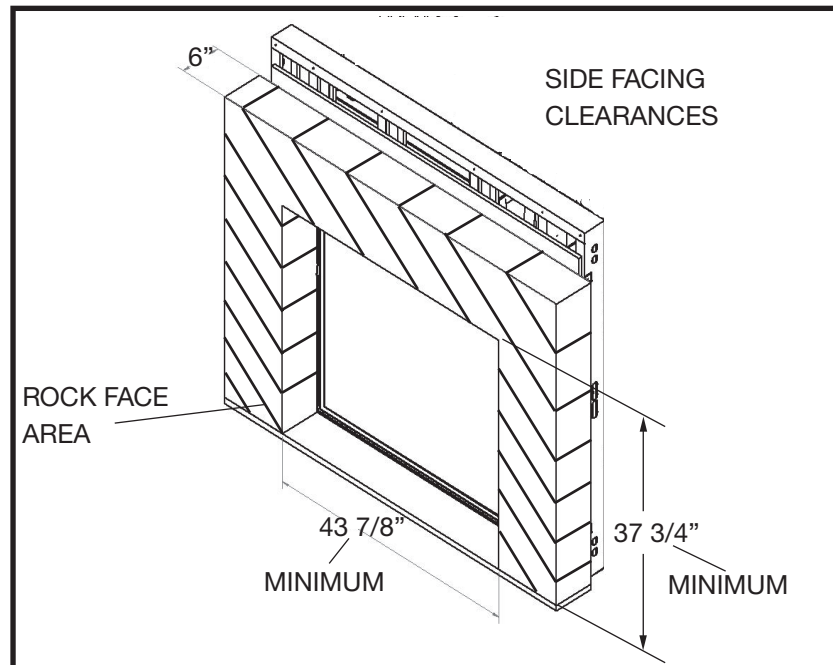


Figure 22: Non-combustible recess allowances.



# Honeywell Control Valve Plumbing and Electrical

The gas control system is located on the right hand side of the firebox behind an access panel and the decorative firebox panel (if installed). The fireplace is operated via a wall switch.

The wall control is connected to the fireplace by a 14-2 AWG wire, not supplied with the fireplace.

## Installation

1. Place the fireplace in the desired location.
2. Remove the window from the fireplace.
3. Remove access panel from right hand side of the firebox (Figure 23).
4. Remove the cover from the electrical box (Figure 24).
5. Run one 110 V. AC switched electrical supply to the control box and connect to the transformer installed inside the control box (Figure 25). The fireplace operates on 24V AC supplied by a transformer rated at 110 volts, 60Hz. See wiring diagram on page 34 for correct connections to the transformer.
6. Connect the gas supply to the gas inlet (Figure 26).

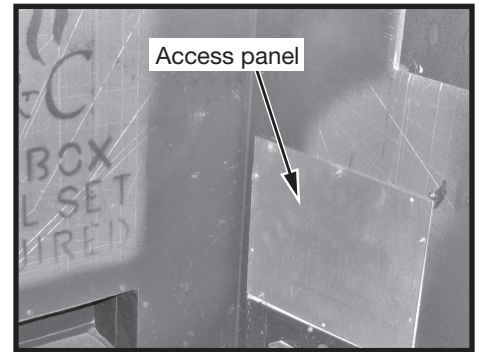


Figure 23: Access panel location.

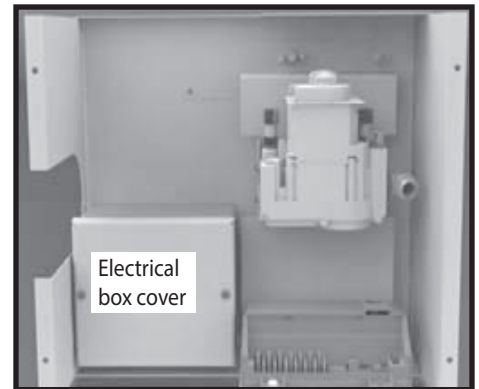


Figure 24: Electrical box cover.

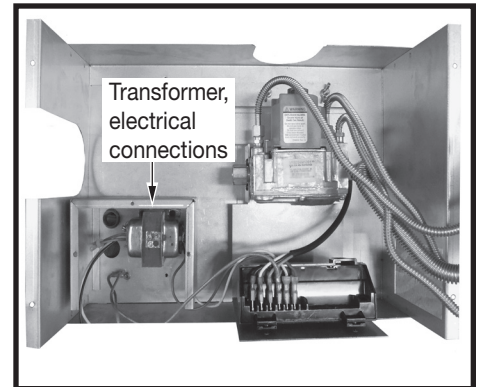


Figure 25: TC42 outdoor control with transformer.

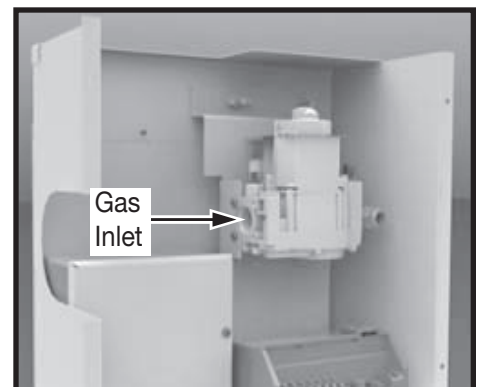


Figure 26: Gas inlet on gas valve.



# Gas Supply

Caution: The gas line should be installed by a qualified service person in accordance with all building codes. This section is intended as a guide for qualified technicians installing this appliance. Consult local and / or national building codes before proceeding.

- Gas supply line access holes are located at the top and left sides of the Control Box. Gas valve inlet accepts a 1/2" N.P.T. fitting. Correct gas line diameter must be used to assure proper operation and pressure.
- The fireplace has an input rate of 61,000 BTU/HR on both Natural Gas and Propane.
- **NOTE: A sediment trap, as per national fuel gas code, must be installed in the gas supply line no more than 6 feet from the gas control valve to minimize the possibility of any loose scale or dirt within the gas supply line from entering the control valve.**
- **DO NOT HARD PIPE GAS LINE TO VALVE.** A method of disconnecting the valve from the gas line such as a union or flare fitting must be provided to allow for repair or replacement of the gas valve.
- It is essential that a union or flanged connection be installed just upstream of the valve and inside the control compartment to allow for repair or replacement of the gas valve.

Check local codes for additional requirements.

1. Connect the gas supply to the gas valve (Figure 26).
2. Turn on the gas supply and check that all connections are tight and leak free.

**WARNING: The access panel including gasket must be reinstalled after conversion / installation or servicing has been completed. Failure to do so will cause overheating and premature failure of the control system.**

# Gas Pressure Check

Note: To test the gas pressure, turn off the gas supply before removing the plug from the supply pressure test port or manifold pressure test port.

Verify gas pressures with the fireplace lit and on the highest setting.

Please refer to the Burner Installation Manual for gas pressure testing procedure.

<b>Correct gas pressure requirement:</b>		
	<b>Natural Gas</b>	<b>Propane</b>
<b>Min. Pressure</b> <small>(For purpose of input adjustment)</small>	<b>5.0" WC</b>	<b>12.5" WC</b>
<b>Max. Pressure</b>	<b>13.9" WC</b>	<b>13.9" WC</b>
<b>Manifold Pressure</b>		
<b>Maximum</b>	<b>3.8" WC</b>	<b>11" WC</b>
<b>Minimum</b>	<b>2.1" WC</b>	<b>5.5" WC</b>

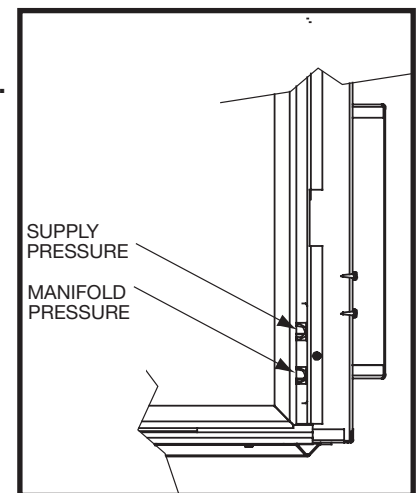


Figure 27: Gas pressure test points.

# Propane Conversion

**Note:** This fireplace comes with a pre installed Honeywell pilot. When installing the burner assembly, remove the pilot that came attached to the burner and discard.

DO NOT USE ANY OTHER PILOT WITH YOUR OUTDOOR UNIT OTHER THAN THE HONEYWELL PILOT THAT CAME INSTALLED IN THE FIREPLACE.

1. Using the valve conversion kit that came in the instruction pack, convert the valve to propane following the instructions provided with the kit (Figure 28).
2. Remove the compression fitting from the bottom of the orifice housing and gently tap the pilot in your hand. The natural gas orifice should fall out (Figure 29).
3. Insert the propane orifice (Figure 30) that came in your instruction pack as shown into the orifice housing and reattach the pilot to the compression fitting and pilot tube.



Figure 28: Propane valve conversion kit.

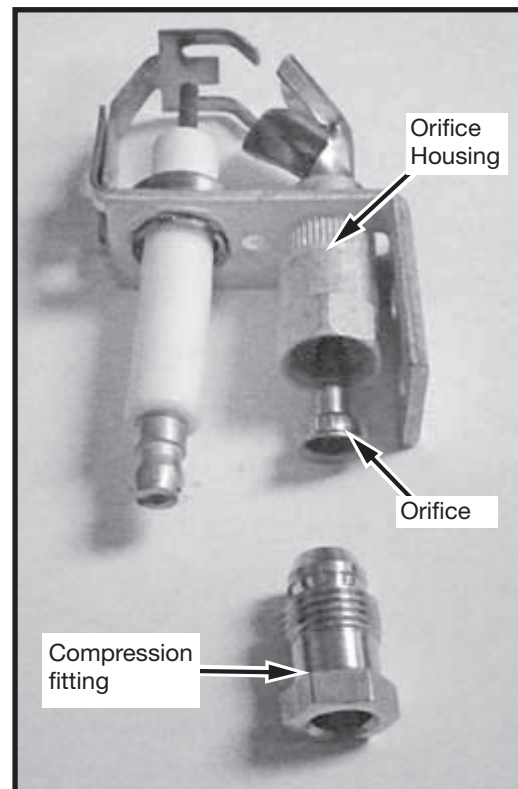


Figure 29: Orifice inserted into housing.



Figure 30: Orifice for propane conversion.

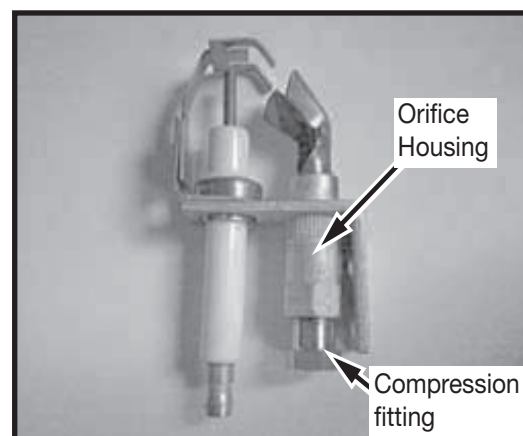


Figure 31: Completed pilot assembly.

---

# Venting

---

Before installing venting for this unit, the installer should read these instructions to ensure that the proper vent configuration has been selected.

Use only Town and Country Termination kits:

TCVT.WTA - Wall Termination Kit

TCVT.RTA - Roof Termination Kit

Vent system components approved for use with the Town and Country Fireplace are shown in Fig. #33.

Various combinations of vertical and horizontal runs may be used. See Figure 35 and See Figure 36 for details. For optimum performance and flame appearance, keep the vent length to a minimum and limit the number of elbows. Connections between each vent system component must be tightly joined, secured with sheet metal screws and sealed with high temperature self adhesive tape. A horizontal run of vent should have a 1/4" rise for every 1 ft. of run towards the termination.

**CAUTION: UNDER NO CONDITION SHOULD COMBUSTIBLE MATERIAL BE CLOSER THAN 1 3/4 INCHES FROM THE TOP AND 1 3/4 INCHES FROM THE SIDES OF A HORIZONTAL SECTION AND 1 3/4 INCHES FROM THE VERTICAL SECTIONS OF THE VENT PIPE.**

---

## Wall Termination Venting

---

### Wall opening:

Determine the exact position of the fireplace so that the vent pipe is centered (if possible) between two building framing members. Consult your local building codes prior to proceeding. The vent kit will accommodate up to a maximum wall thickness of 12 inches.

1. Having determined the position of the fireplace, cut and frame a 14 1/2 inch opening centred at a minimum height of 74 1/4 inches above the floor (Figure 34). The opening may be round or square. Height of the opening will vary with each installation. As the horizontal vent run increases, so does the minimum vertical rise. See Figure 35.

**IMPORTANT: When locating the opening, it should be noted that vent terminal clearances must be maintained. See "Vent Terminal Minimum Clearances" on page 25 for proper clearances.**

A minimum 2 foot length of pipe is required off the top of the fireplace for any wall termination. With this minimum vertical rise in combination with a 90° elbow, a maximum horizontal run of 18 inches is permitted (See Figure 35). For longer horizontal runs greater than 18 inches, increase vertical rise appropriately.

The rise and run must be constrained to the boundaries of the chart shown in Figure 35. The horizontal run of vent must have a 1/4" rise for every 1 ft. of run towards the termination.

**Wall thimble:**

Where a vent pipe passes through a combustible wall, a wall thimble/shield must be used to retain insulation and maintain proper clearances. The wall thimble may be cut to length for various wall thicknesses up to 12" thick.

Measure the wall thickness including the siding. Trim the shield to match the wall thickness. Position the wall thimble from inside through the 14-1/2" opening. Properly adjusted, the thimble should be flush with the outer wall surface.

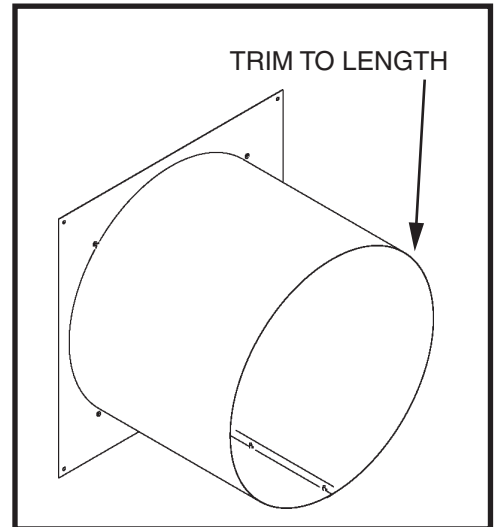
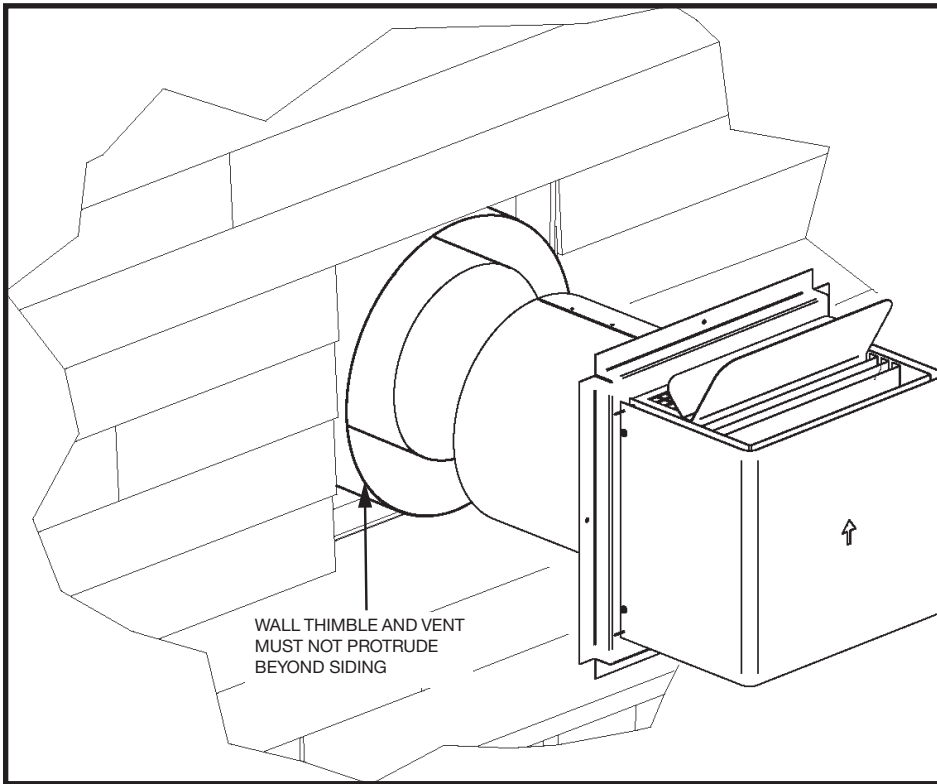


Figure 33: Trimming thimble.

Figure 32: Wall thimble and vent position limits.

<b>Vent System Components</b>	
<b>Town &amp; Country part #</b>	
12" Pipe Length.....	TCVT.811X12
18" Pipe Length.....	TCVT.811X18
24" Pipe Length.....	TCVT.811X24
48" Pipe Length.....	TCVT.811X48
12" Adjustable Pipe Length.....	TCVT.811X12ADJ
45° Elbow .....	TCVT.811XLB45
90° Elbow .....	TCVT.811XLB90
Wall/Offset Support.....	TCVT.811XOS
Wall Termination Kit.....	TCVT.WTA
Roof Termination Kit.....	TCVT.RTA
Wall Shield/Ceiling Firestop.....	TCVT.THIMA
Roof Flashing, Adjustable .....	TCVT.811FLADJ
Roof Flashing, Flat .....	TCVT.811FLFLT
Roof Flashing, Steep .....	TCVT.811FLSTP
	or any flashing that fits 11" pipe

## Vent pipe:

Install vent pipe through the wall thimble and attach to flue outlet collar on top of the fireplace. Secure all joints with screws and seal with approved "High Temp." self-adhesive aluminum tape provided.

**Adjust the fireplace position so that the vent pipe does not protrude beyond the outer wall. The vent connector on the termination will accommodate walls up to 12" thick.**

## Wall vent terminal:

1. Engage the terminal with the vent pipe and slide terminal into place. Ensure that both inner and outer pipes are fully engaged and then attach the terminal to the outside wall.

**The vent terminal must not be recessed into the exterior wall or siding.**

2. Caulk in place to prevent any moisture entering the building.

**NOTE: MINIMUM CLEARANCES TO THE VENT TERMINAL MUST BE MAINTAINED** See Figure 40 and Figure 41 on page 25.

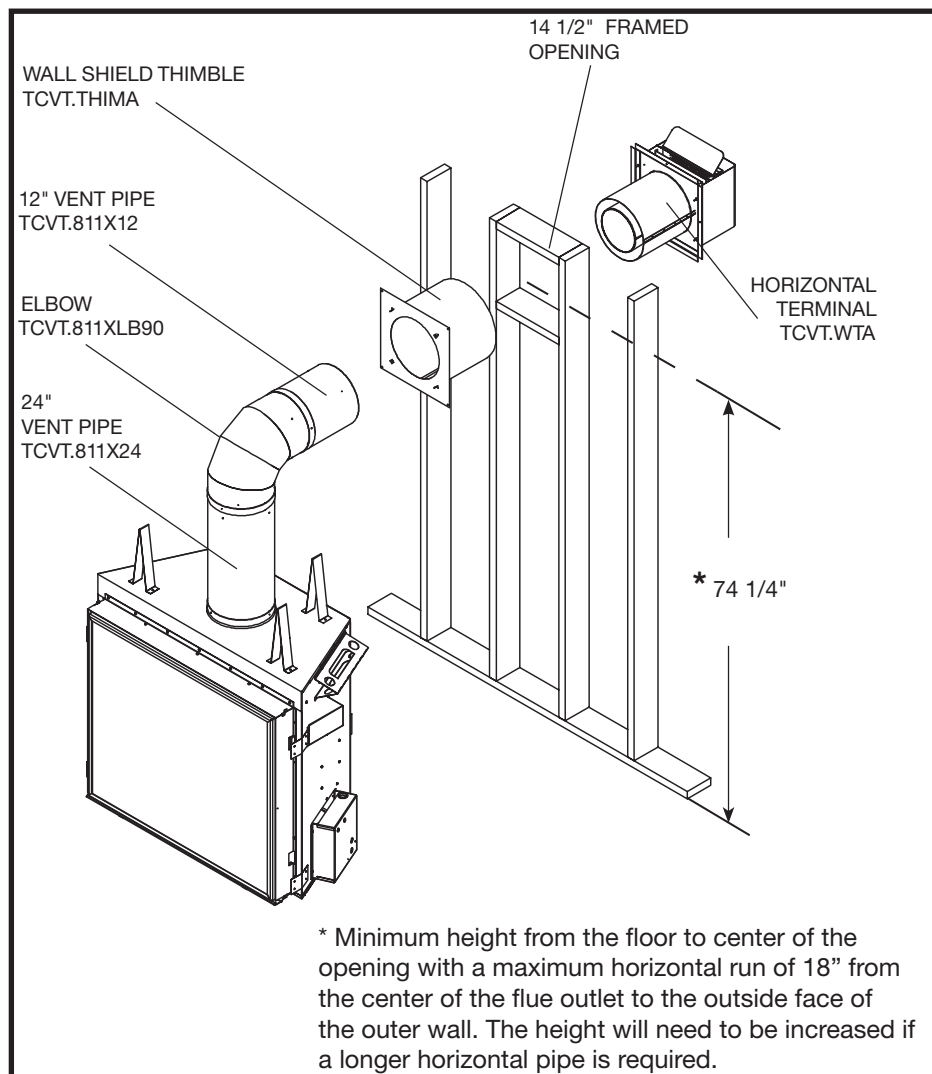


Figure 34: Wall vent terminal framing.

# Wall Termination Venting Chart

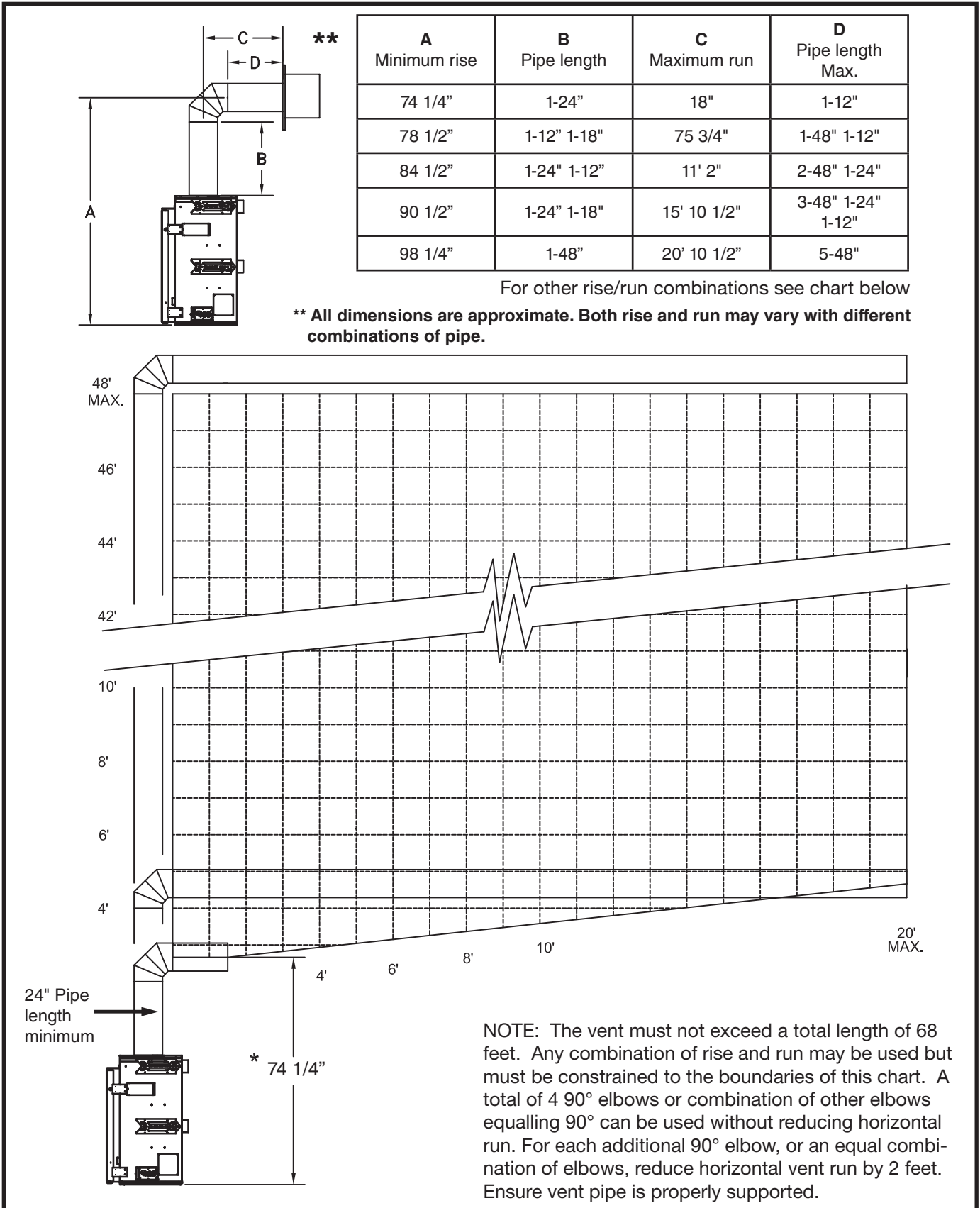
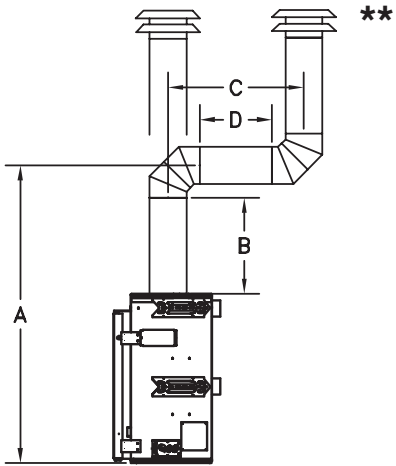


Figure 35: TC42 outdoor run - rise chart.

# Roof Termination Venting Chart



A Minimum rise	B Pipe length	C Maximum run	D Pipe length Maximum
74 1/4"	1-24"	29"	1-12"
78 1/2"	1-12" 1-18"	77 1/4"	1-48" 1-12"
84 1/2"	1-24" 1-12"	11' 1 1/2"	2-48" 1-24"
90 1/2"	1-24" 1-18"	15' 10"	3-48" 1-24" 1-12"
98 1/4"	1-48"	20' 10"	5-48"

For other rise/run combinations see chart below

**\*\* All dimensions are approximate. Both rise and run may vary with different combinations of pipe.**

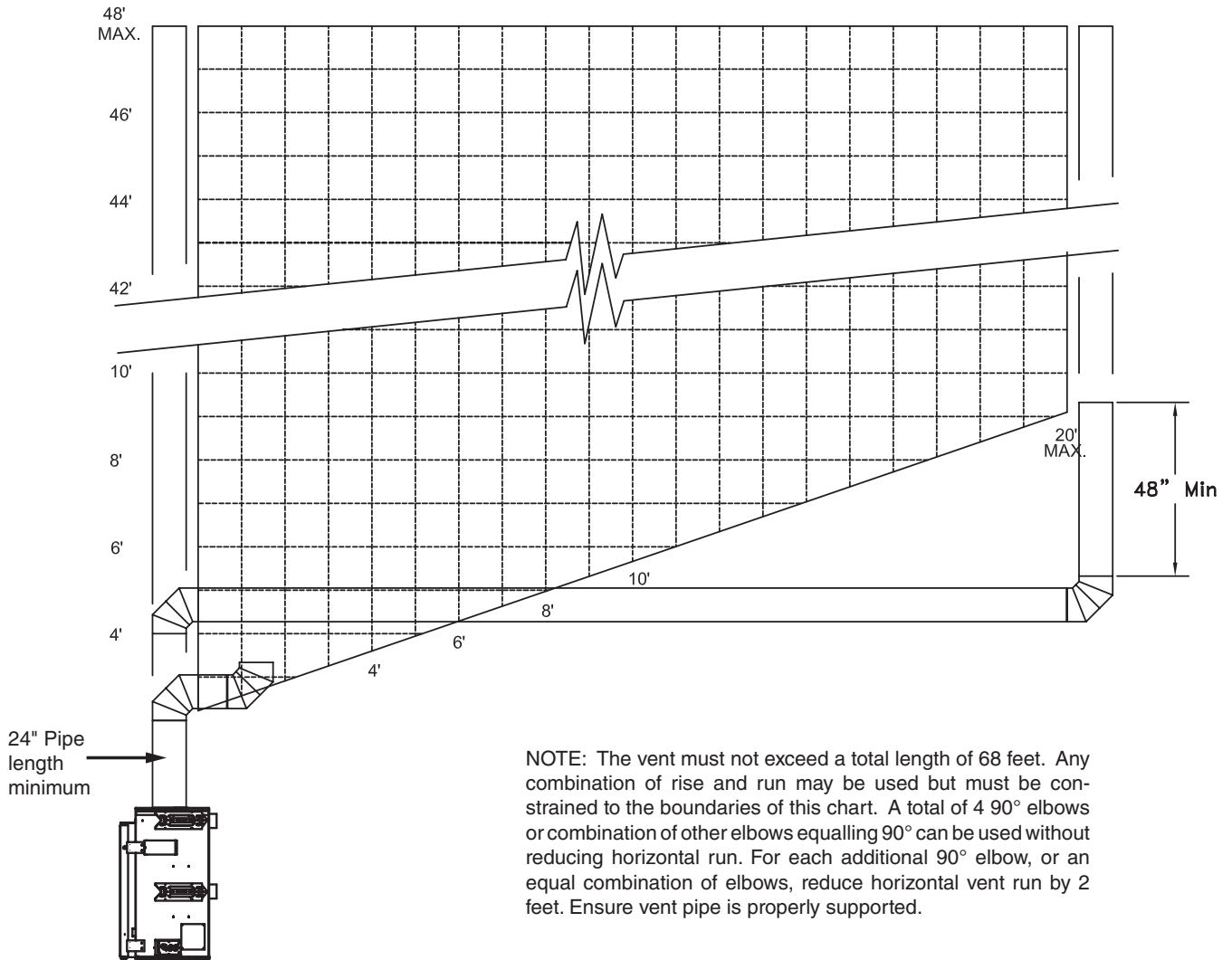


Figure 36: TC42 outdoor vertical rise - run chart.



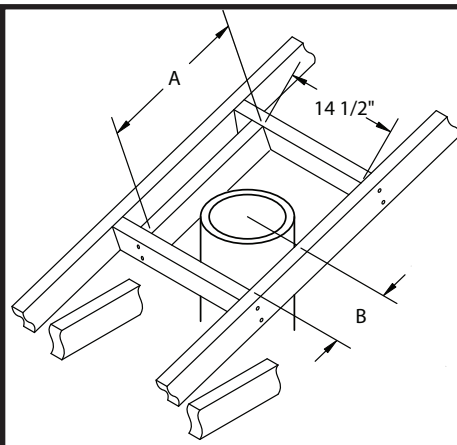


Figure 37: TC42 outdoor Roof opening frame.

Size of the opening will have to increase with the pitch of the roof to ensure a 1 3/4" inch air space clearance between vent pipe and combustibles.

Roof Pitch	A	B
0/12	14 1/2"	7 1/4"
4/12	16 1/2"	8 3/4"
6/12	18"	10"
8/12	19 3/4"	11"
12/12	24"	13 3/4"

### Ceiling Opening:

1. Determine the exact position of the fireplace so that the vent pipe is centered (if possible) between two building framing members. Lay out the vent system path, minimizing the number of elbows and length of vent. Consult your local building codes prior to proceeding.
2. Cut and frame a 14 1/2" opening in the floor, ceiling or roof where the vent system will pass. Size of the opening in the roof may need to be increased as the pitch of the roof increases. Avoid cutting rafters.

### Ceiling Firestop:

Where a vent pipe passes through a floor or ceiling, a ceiling firestop must be used to retain insulation and maintain proper clearances.

From below, push the ceiling firestop through the opening and secure in place. If the firestop is used to penetrate a floor, the outer shield may be trimmed in length. If the firestop penetrates into an attic, leave the shield full length to keep insulation away from the vent pipe. Additionally, after the vent pipe is in place, install a storm collar on top of the shield. This will prevent loose insulation from falling into the area between the vent pipe and the shield.

### Vent Pipe:

1. Install the first section of vent pipe into the collar on top of the fireplace. Secure in place with screws and seal with approved "High Temperature" self-adhesive aluminium tape provided.
2. Continue adding vent pipe lengths up and through the firestop(s) and through the roof. The vent pipe must extend at least 24" above the roof.

Seal the vent pipe as per "Sealing vent joints." on page 26.

### Roof Support Bracket:

Slip the roof support bracket down over the vent pipe. Rotate the 90° brackets to accommodate roof pitch. Attach the brackets to the roof joists with nails or building screws. Tighten the band around the vent pipe and secure in place with screws.

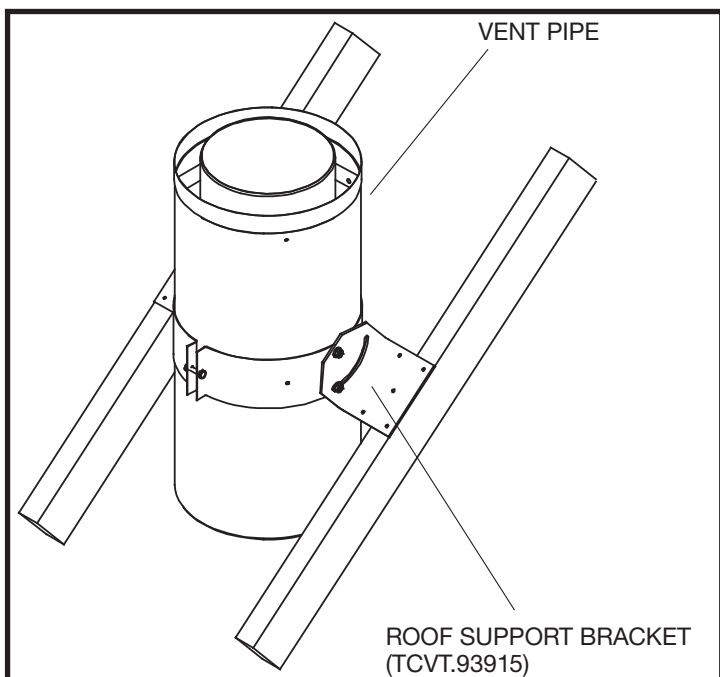


Figure 38: Roof support bracket.

## Roof Vent Terminal:

1. Place the roof flashing over the vent pipe, secure and seal it to the roof using the methods and materials appropriate for the type of roof on the building. Shingle roof example shown in Figure 39.
2. Place the storm collar down over the vent pipe until it is level. Tighten storm collar for a snug fit. Apply a thick horizontal ring of mastic around the pipe at top of the storm collar.
3. Lower the roof vent terminal cap over the vent pipe and secure in place with screws provided. Seal screw heads and joint with caulking to prevent any moisture entering the venting system.

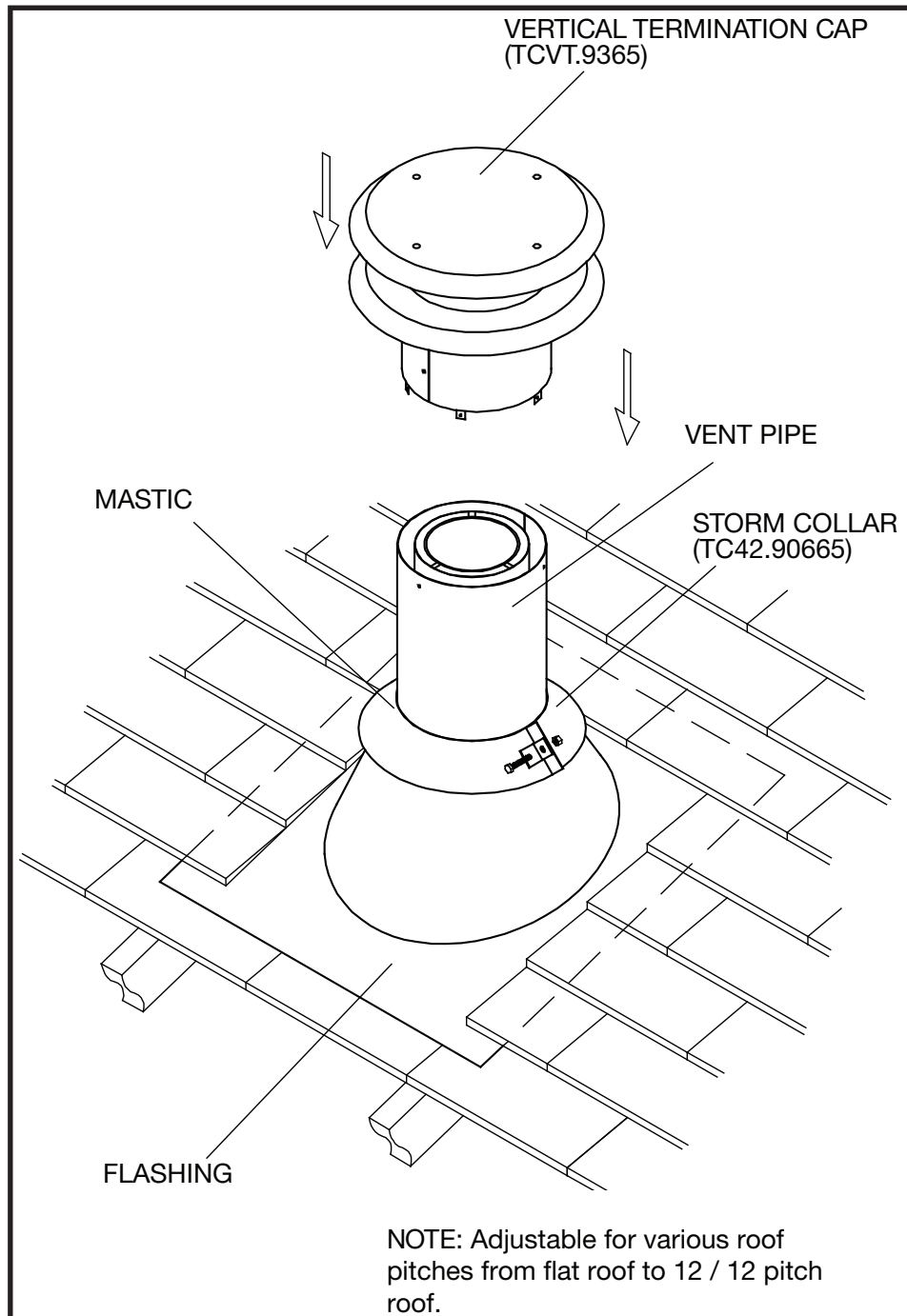


Figure 39: Roof vent terminal.

# Vent Terminal Clearance

Minimum clearances to the vent terminal must be maintained as shown in Figure 40. Measure clearances to the nearest edge of termination hood.

**NOTE: Vent terminal must not be recessed**  
**NOTE: LOCAL CODES OR REGULATIONS MAY REQUIRE DIFFERENT CLEARANCES.**

Roof Pitch Table (minimum)	ft		m	
	ft	m	ft	m
Flat to 6/12	1.00	0.30		
Over 6/12 to 7/12	1.25	0.38		
Over 7/12 to 8/12	1.50	0.46		
Over 8/12 to 9/12	2.00	0.61		
Over 9/12 to 10/12	2.50	0.76		
Over 10/12 to 11/12	3.25	0.99		
Over 11/12 to 12/12	4.00	1.22		

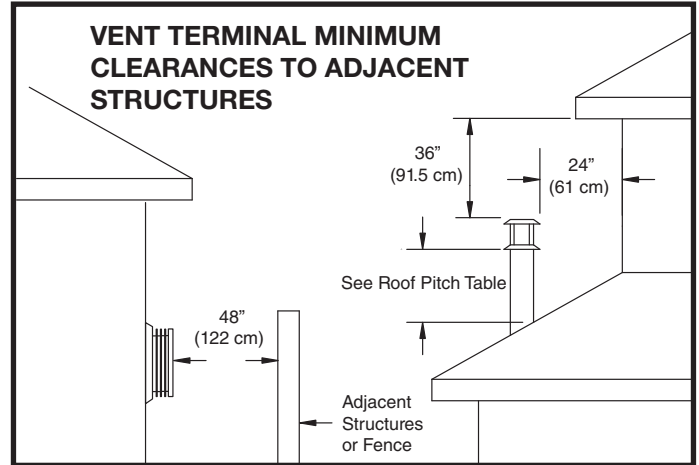


Figure 40: Vent roof clearance.

# Vent Terminal Minimum Clearances

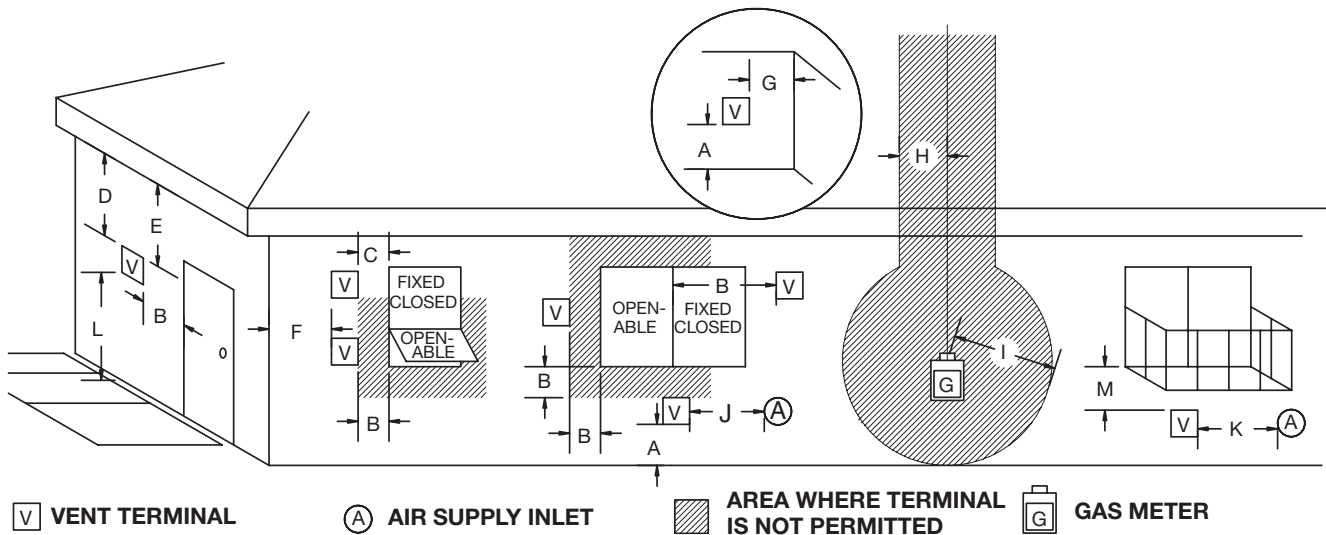


Figure 41: Vent terminal minimum clearances.

A=	*12 inches (30 cm) min.	Clearances above grade, veranda, porch, deck, or balcony
B=	*12 inches (30 cm) min.	Clearance to window or door that may be opened
C=	12 inches (30 cm) min.	Clearance to permanently closed window recommended to prevent condensation on window
D=	30 inches (76 cm) min.	Vertical clearance to ventilated soffit located above the terminal within a horizontal distance of 2 feet (60 cm) from the edge of the terminal
E=	30 inches (76 cm) min.	Clearance to unventilated soffit
F=	6 inches (15 cm) min.	Clearance to outside corner
G=	6 inches (15 cm) min.	Clearance to inside corner
H=	3 feet (90 cm) min.	*Not to be installed above a meter/regulator assembly within 3 feet (90 cm) horizontally from the center-line of the regulator
I=	*6 feet (1.8 m) min.	Clearance to service regulator vent outlet
J=	*12 inches (30 cm) min.	Clearance to non mechanical air supply inlet to building or the combustion air inlet to any other appliance
K=	*6 feet (1.8 m) min.	Clearance to a mechanical air supply inlet
L=	*7 feet (2.1 m) min.	^ Clearance above paved side-walk or a paved driveway located on public property
M=	**30 inches (76 cm) min	Clearance under veranda, porch, deck, or balcony

^ a vent shall not terminate directly above a side-walk or paved driveway which is located between two single family dwellings and serves both dwellings\*  
 \*\* only permitted if veranda, porch, deck, or balcony is fully open on a minimum of 2 sides beneath the floor\*  
 \* as specified in CGA B149 Installation Codes, Note: local Codes or Regulation may require different clearances  
 \* for U.S.A. Installations follow the current National Fuel Gas Code, ANSI Z223.1

## Vent Pipe Sealant

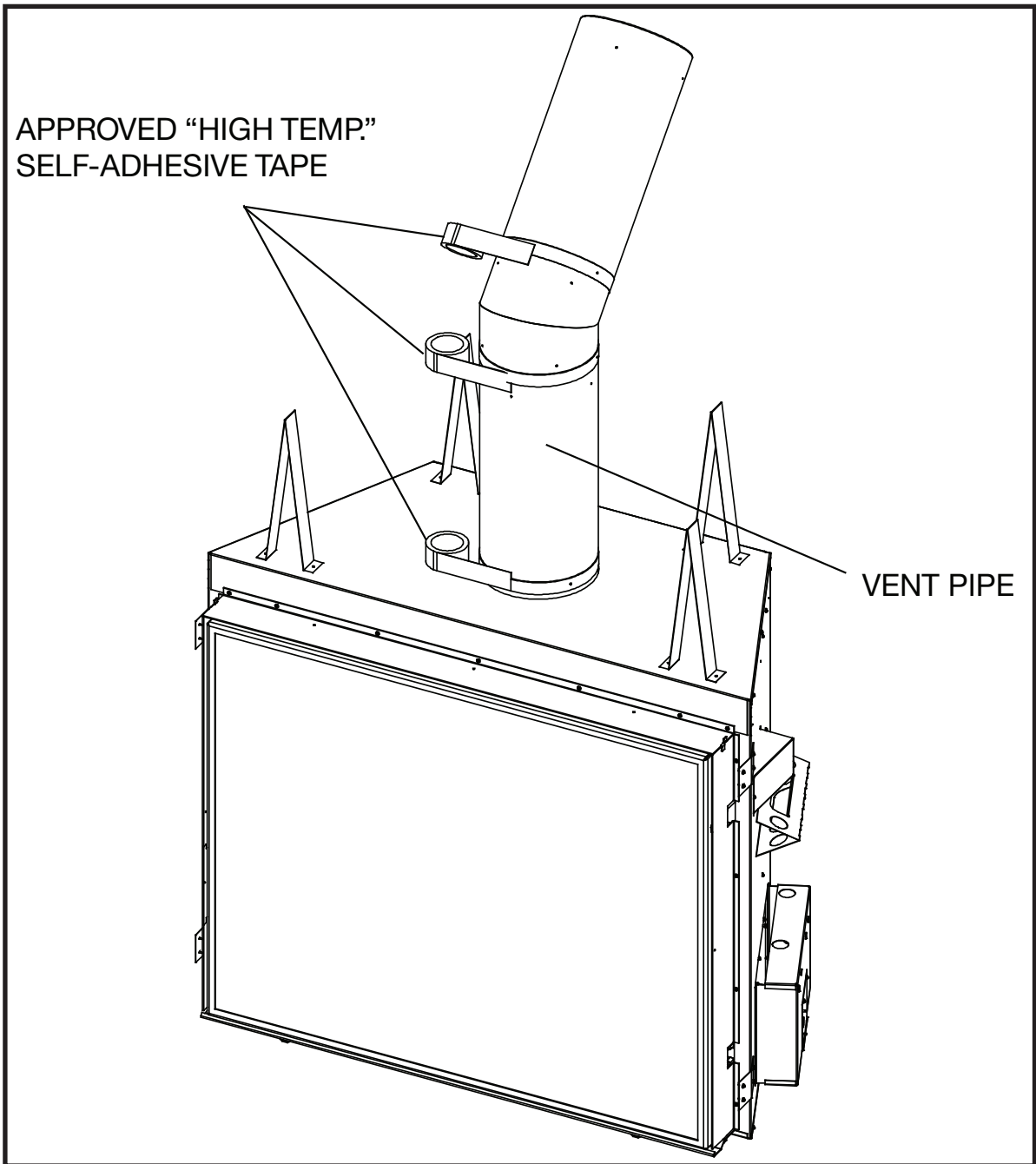


Figure 42: Sealing vent joints.

All outer joints of the vent pipe must be sealed with the approved "High Temperature" self-adhesive aluminium tape provided. Wrap the tape completely around the joint and press firmly in place.

# Vent Restrictor Adjustment

The vent restrictor is located on the underside of the firebox top. The unit leaves the factory with the vent restrictor open. The restrictor is built into the appliance for secondary air flow adjustment. Adjustment enables tuning the airflow for optimum flame appearance and performance for a wide variety of vent configurations.

Setting:

- Determine the vent height.
- Determine the vent horizontal length.
- From the chart determine the restrictor position.

Refer to the chart (Figure 43), for the correct position of restrictor (Figure 44) for the vent configuration of your installation. Restrictor positions are based upon lab tests. The ideal position may vary slightly with installation.

Restrictor position is closed too much if the flame has the following characteristics:

- Flame is excessively tall and lifting.
- Flame lacks movement.
- Flame soots.

Restrictor position is too open if the flame has the following characteristics:

- Flame height is low.
- Flame has excessive movement.

To adjust the restrictor:

- Loosen the screws holding the restrictor plates.
- Move the restrictor plates to its intended opening.
- Retighten the screws.

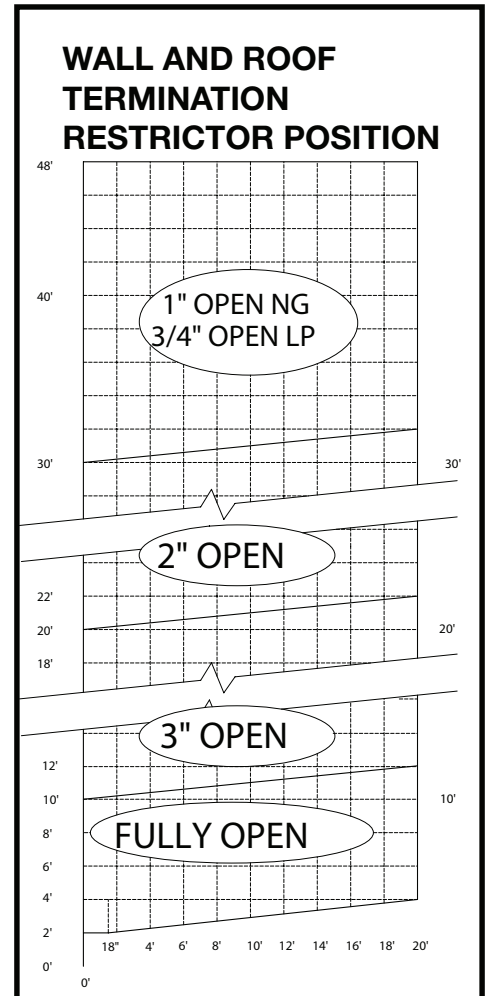


Figure 43: Restrictor rise and run chart.

**CAUTION:** The vent restrictor must be fully open when using the power vent

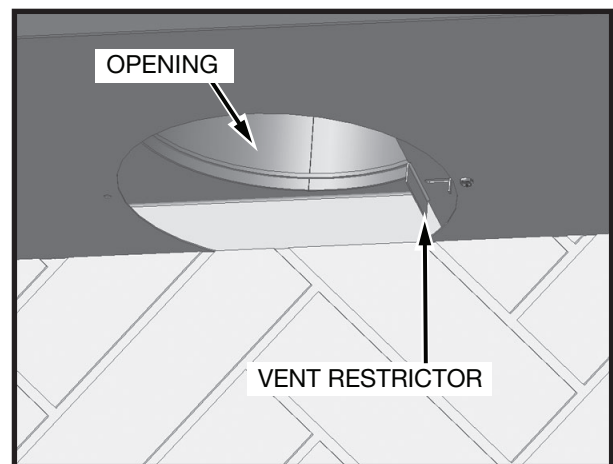


Figure 44: Vent restrictor.

# Firebox Panels Installation

PARK AVE. BEIGE HERRINGBONE .....	TCPN.42PAC
MOUNT VERNON RED HERRINGBONE .....	TCPN.42VRC
MANHATTAN BEIGE STACKED BRICK.....	TCPN.42MNC
BLACK PORCELAIN.....	TCPN.549.C
COFFEE BEAN BROWN PORCELAIN .....	TCPN.549CB.C

(See Porcelain panel instruction manual for specific instructions for these panels) Before proceeding see burner instructions.

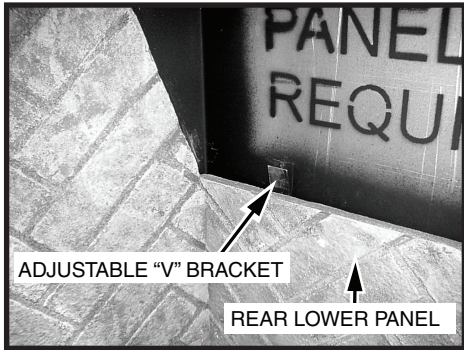


Figure 45: Panel V brackets.

The lower rear panel is held tight against the side panels by two "V" brackets located on the firebox rear wall (Figure 45). Although the brackets are adjusted at the factory for the best fit, some adjustment may be necessary. Adjust the angle of the bracket by hand to ensure a snug fit.

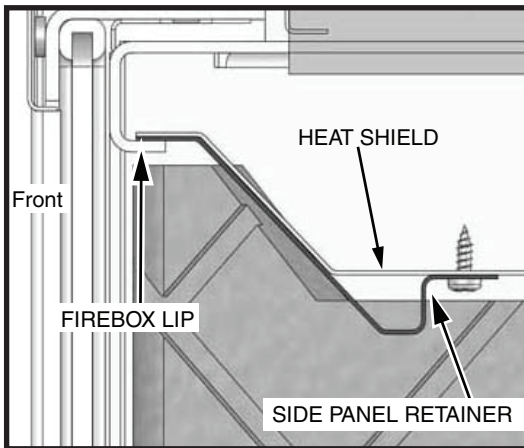


Figure 46: Side panel retainer (side view).

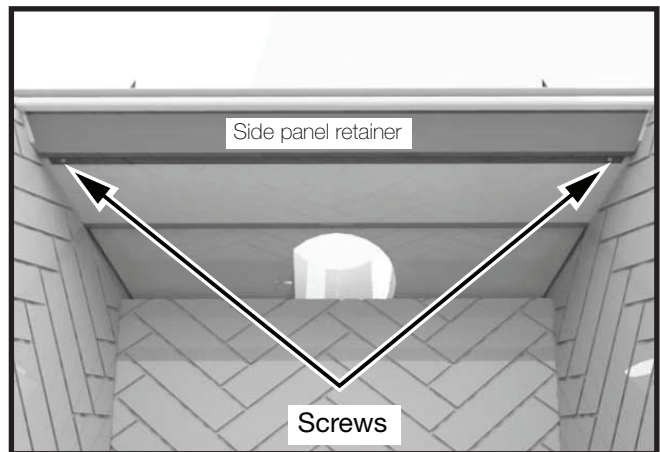


Figure 47: Side panel retainer screws location.

A Firebox Panel Set must be installed for safe operation. Do not use the fireplace without panels. Unpack and inspect all panels. The panels need to be installed before the logs are in place.

**Caution:** The Firebox Panels are very fragile, and should be handled with care.

1. Remove the Side Panel Retainer located on the underside of the firebox heat shield. The retainer slips between the lip of the firebox and the heat shield and is retained in place by two screws (Figure 46 and Figure 47) .



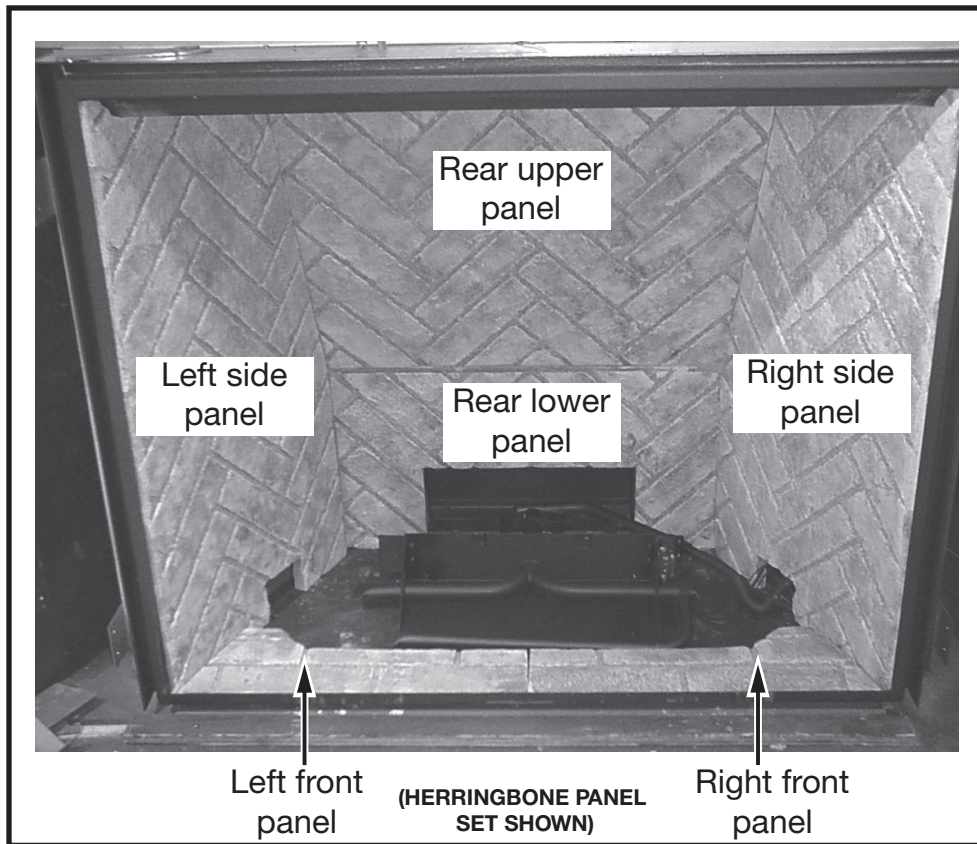


Figure 48: TC42 outdoor panel placement.

2. Install the Lower Rear Panel (Figure 48).
3. Install the right side panel by inserting the bottom of the panel in first and then angling it up into position. It may be necessary to push the firebox shield up to allow panel to move freely into place.
4. Install the Rear Upper Panel on top of the lower rear panel.
5. Install the Left Side Panel by inserting the bottom of the panel in first and then angling it up into position.
6. Re-install the Side Panel Retainer.
7. Install the Left and Right Front Panels (Figure 48).



# Lighting Instructions

## FOR YOUR SAFETY READ BEFORE LIGHTING

**WARNING:** If you do not follow these instructions exactly, a fire or explosion may result causing property damage, personal injury or loss of life.

- A. This appliance is equipped with an ignition device which automatically lights the pilot. Do not try to light the pilot by hand.
- B. **BEFORE LIGHTING** smell all around the appliance area for gas. Be sure to smell next to the floor because some gas is heavier than air and will settle on the floor.  
**WHAT TO DO IF YOU SMELL GAS:**
  - Do not try to light any appliance.
  - Do not touch any electric switch; do not use any phone in your

- building.
- Immediately call your gas supplier from a neighbour's phone. Follow the gas supplier's instructions.
- If you cannot reach your gas supplier, call the fire department.
- C. Use only your hand to push in or turn the gas control knob. Never use tools. If the knob will not push in or turn by hand, don't try to repair it, call a qualified service technician. Force or attempted repair may result in a fire or explosion.
- D. Do not use this appliance if any part has been under water. Immediately call a qualified service technician to inspect the appliance & to replace any part of the control system & any gas control which has been under water.

## LIGHTING INSTRUCTIONS

- 1. **STOP!** Read the safety information above on this label.
- 2. This appliance is equipped with an ignition device which automatically lights the pilot. Do not try to light the pilot by hand.
- 3. Push the "On/ Off" switch to the fireplace Off.
- 4. Allow sufficient length of time (minimum 5 minutes) for any gas in the combustion chamber to escape. If you still smell gas, **STOP!** Follow "B" in the safety information above on this label. If you don't smell gas, go to the next step.
- 5. Push the "On/ Off" switch to turn the fireplace on.
  - If the burner does not light, repeat steps 4 through 6.
  - If the burner will not light or stay lit after several tries, push the "On/ Off" switch to the fireplace off and call your service technician or gas supplier.

Note: Sufficient time must be allowed for air to escape from lines if the unit is being lit for the first time.

## TO TURN OFF GAS TO APPLIANCE

- 1. Push the "on/ off" switch to the "Off" position.
- 2. Turn off all electric power to the appliance if service is to be performed or for extended shutdown.

Due to high surface temperatures, keep children, clothing and furniture away. Keep burner and control compartment clean. See installation and operating instructions accompanying the appliance.  
A cause de la temperature elevee des parois, tenir eloignes les enfants, les vetements et les meubles. Maintenir propres le bruleur et le compartiment de commande. Voir les instructions relatives a l'installation et au fonctionnement qui accompagnent l'appareil.

**CAUTION:** Hot while in operation. Do not touch. Severe burns may result. Keep children, clothing, furniture, gasoline and other liquids having flammable vapours away. Keep burner and control compartment clean. See installation and operating instructions accompanying the appliance.

**ATTENTION:** L'appareil est chaud lorsqu'il fonctionne. Ne pas toucher l'appareil. Risque de brûlures graves. Surveiller les enfants. Garder les vêtements, le meubles, l'essence ou autres liquides produisant des vapeurs inflammables loin de l'appareil. S'assurer que le brûleur et le compartiment des commandes sont propres. Voir les instructions d'installation et d'utilisation qui accompagnent l'appareil.

130312

5051.174

5-TC420D

## First Fire

When lit for the first time, the fireplace will emit a slight odour for a couple of hours. This is due to the curing of paints, sealants and lubricants used in the manufacturing process. This condition is temporary. Open doors and windows to ventilate the area. Odour caused by the curing process may cause discomfort to some individuals.

It is normal for fireplaces fabricated of steel to give off some expansion and/or contraction noises during the start up or cool down cycle. Similar noises are found with your furnace heat exchanger or cook stove oven.

---

# Maintenance

---

## CAUTION:

Turn off gas and electrical power supply (if applicable) and allow ample time for unit to cool before servicing appliance. It is recommended that the fireplace and its venting should be inspected at least once a year by a qualified service person.

## Glass Panel:

**Warning:** Do not operate fireplace with glass panel removed, cracked or broken. Replacement of the glass panel should be done by a licensed or qualified service person.

Do not strike or otherwise impact the glass in anyway that may cause it to break. If the glass becomes cracked or broken it must be replaced before using the fireplace. Replacement glass can be obtained from your nearest Town & Country Fireplaces dealer. The size required is 42" x 36" x 5mm. Use ceramic glass only. Do not substitute with any other type.

To remove broken glass, remove window frame as noted in "Window Frame Removal" on page 7.

Unclip the Glass Retainer Clips located at the top and sides of the Window Frame. Pull the top edge of the glass out of the frame first, then lift it up and out of the bottom edge.

Install the new piece of glass with the gasket into the frame so that the thicker bead of gasket faces the fireplace.

Re-install glass retaining clips.

## Annual Inspection:

- a) Remove glass panel and inspect the decorative burner media (such as logs, pebbles, glass etc) for soot build up. If excessive build up of soot is present, have a qualified service person inspect and adjust the unit for proper combustion. Clean the decorative media and use a brush or vacuum cleaner to clean the burner, paying close attention to the burner ports.
- b) Inspect burner. It must be replaced prior to the appliance being put into operation if it is evident the burner is damaged. If damaged, replace with only Town and Country products.
- c) Check the pilot system for proper flame size and operation. Clean pilot free of soot, dust or any other deposits. See Figure 31 on page 17
- d) Check that the vent pipe and vent terminal are open and free from blockage or debris. If the venting is disassembled for cleaning, it must be properly assembled and re-sealed. Refer to VENTING section for proper procedure.
- e) Check glass panel gasket, replace if necessary. It is important that the glass seal be maintained in good condition.
- f) Check and replace batteries as needed.

**Note:** The appliance area must be kept clear and free from combustible materials, gasoline and other flammable vapours and liquids.

## Periodically:

- a) Viewing glass may be cleaned as necessary with fireplace glass cleaner.
- b) Exterior finish may be cleaned with mild soap and water.

## CAUTION:

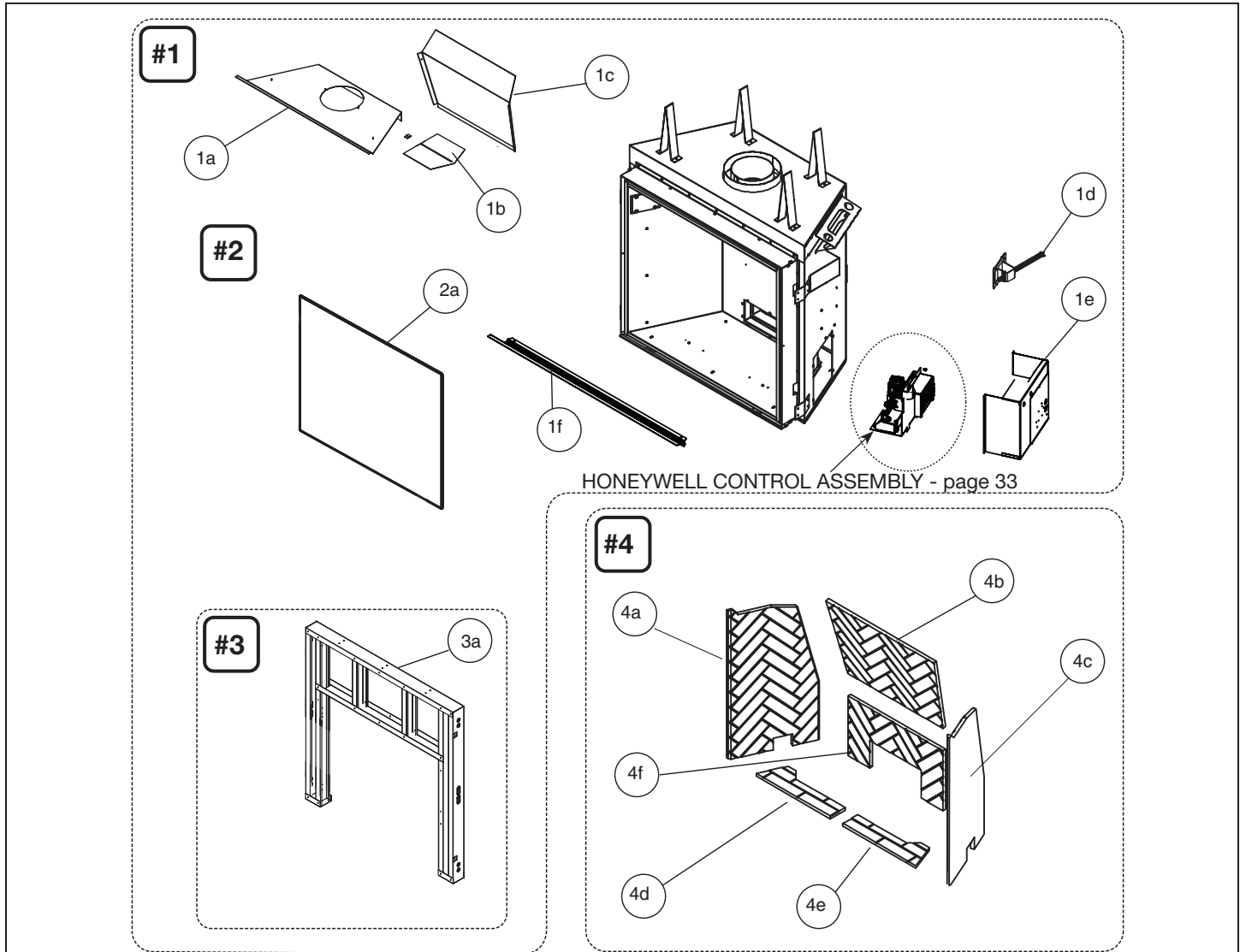
Do not use abrasive cleaners on glass or any other part of the fireplace.

Do not clean glass when hot.

# Replacement Parts

(WHEN ORDERING, INCLUDE PART NUMBER WITH DESCRIPTION)

ITEM	DESCRIPTION	PART NO.	ITEM	DESCRIPTION	PART NO.
#1	TC42 OUTDOOR BODY ASSM.....	TC42.CODE	#4	PANEL SETS	
#2	GLASS ASSM .....	GLAS.2086ASSY		PARK AVE. BEIGE HERRINGBONE .....	TCPN.42PAC2
#3	FRAMING KIT.....	TC42. ODFRKIT		MT.VERNON RED HERRINGBONE.....	TCPN.42VRC2
				MANHATTAN BEIGE STACKED BRICK.....	TCPN.42MNC2
				MADISON.....	TCPN.42MSD
				BLACK PORCELAIN.....	TCPN.549.C
				CB BROWN PORCELAIN.....	TCPN.549CB.C



HONEYWELL CONTROL ASSEMBLY - page 33

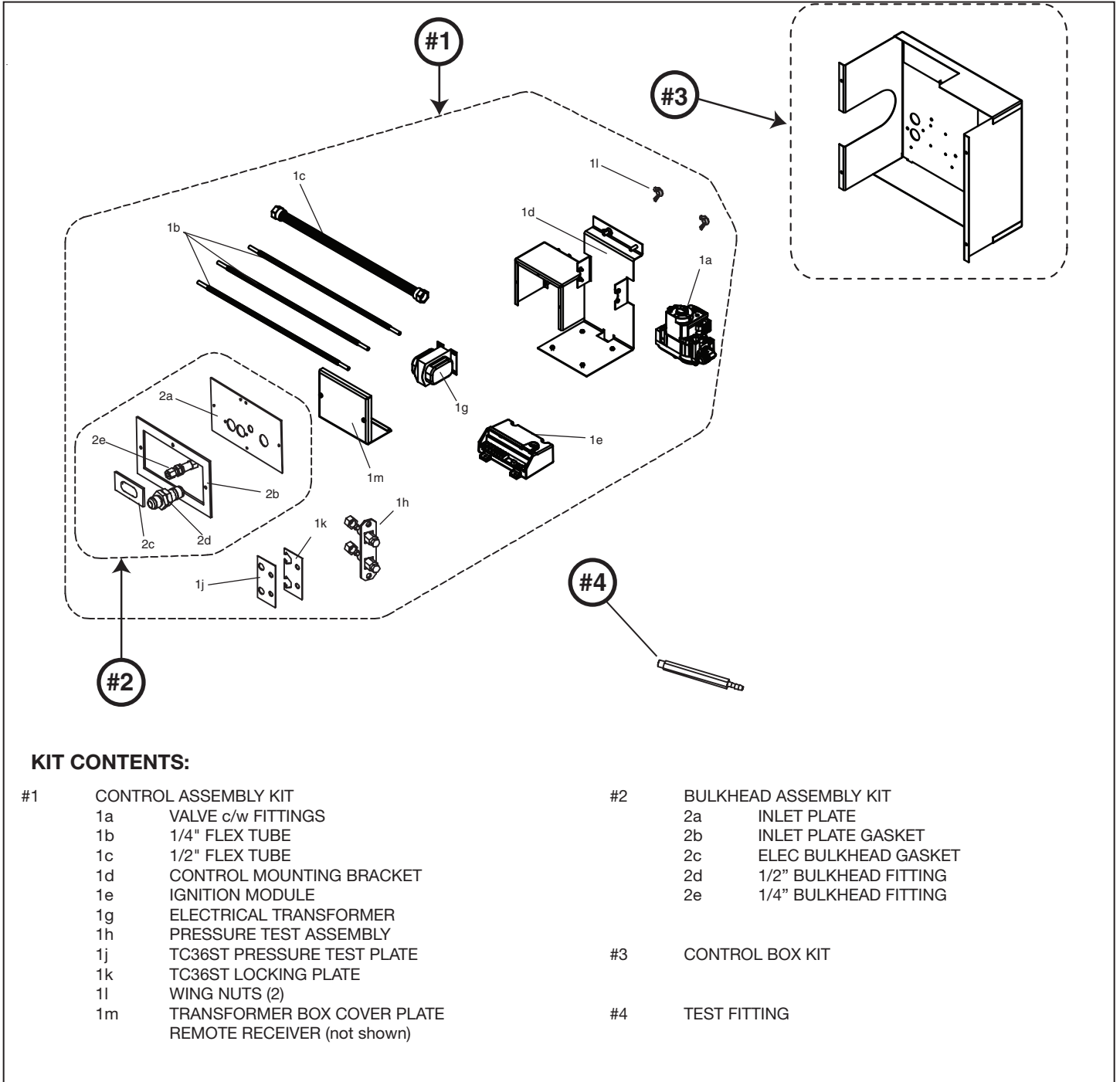
### KIT CONTENTS:

#1	TC42 OD BODY ASSEMBLY	#3	FRAMING KIT
1a	FIREBOX SHIELD (c/w insulation)	3a	STEEL STUDS
1b	FLUE DAMPER		
1c	FIREBOX REAR SHIELD	#4	PANEL SETS
1d	SPRING LATCH ASSEMBLY(2)	4a	PANEL, LEFT SIDE
1e	CONTROL ASSEMBLY HOLDER	4b	PANEL, UPPER
1f	BRICK PANEL RETAINER	4c	PANEL, RIGHT SIDE
#2	GLASS ASSEMBLY	4d	PANEL, LEFT BASE
2a	REPLACEMENT GLASS (c/w gasket)	4e	PANEL, RIGHT BASE
		4f	PANEL, LOWER BACK

# Replacement Parts – Honeywell Control System

(WHEN ORDERING, INCLUDE PART NUMBER WITH DESCRIPTION)

ITEM	DESCRIPTION	PART NO.
#1	CONTROL ASSEMBLY KIT .....	TCRP.9000
#2	BULKHEAD ASSEMBLY KIT .....	TCRP.8133
#3	CONTROL BOX KIT .....	TCRP.92762WLD
#4	TEST FITTING .....	5019.104



## KIT CONTENTS:

#1	CONTROL ASSEMBLY KIT	#2	BULKHEAD ASSEMBLY KIT
1a	VALVE c/w FITTINGS	2a	INLET PLATE
1b	1/4" FLEX TUBE	2b	INLET PLATE GASKET
1c	1/2" FLEX TUBE	2c	ELEC BULKHEAD GASKET
1d	CONTROL MOUNTING BRACKET	2d	1/2" BULKHEAD FITTING
1e	IGNITION MODULE	2e	1/4" BULKHEAD FITTING
1g	ELECTRICAL TRANSFORMER		
1h	PRESSURE TEST ASSEMBLY	#3	CONTROL BOX KIT
1j	TC36ST PRESSURE TEST PLATE		
1k	TC36ST LOCKING PLATE		
1l	WING NUTS (2)	#4	TEST FITTING
1m	TRANSFORMER BOX COVER PLATE		
	REMOTE RECEIVER (not shown)		

# Wiring Diagram

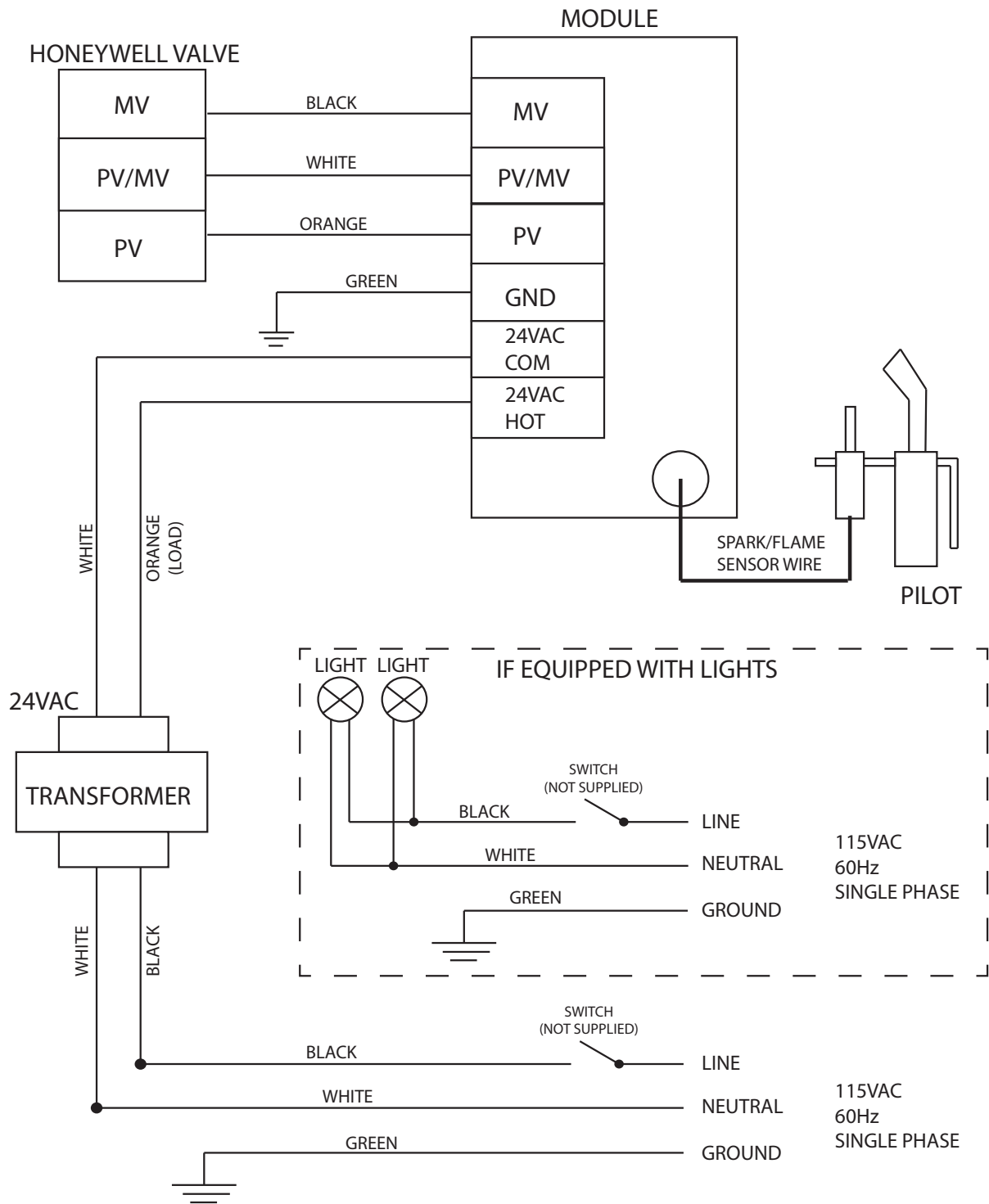


Figure 49: TC42C outdoor wiring diagram.

▪ **Wall Shield Ceiling  
Firestop Thimble**

**Wall Termination Kit**

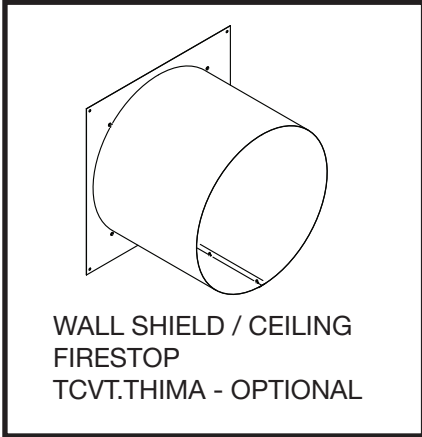


Figure 50: Ceiling firestop thimble.

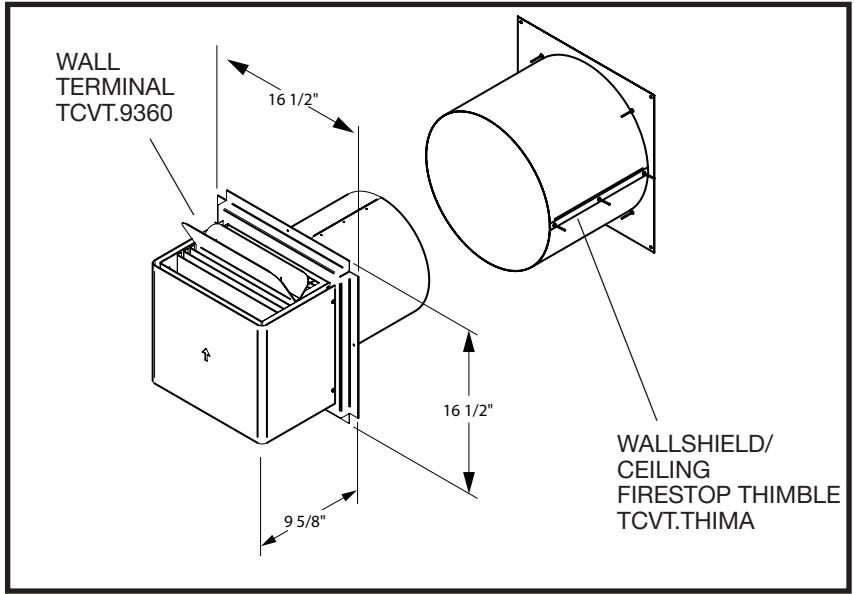


Figure 51: Wall termination kit.

**Roof Termination Kit**

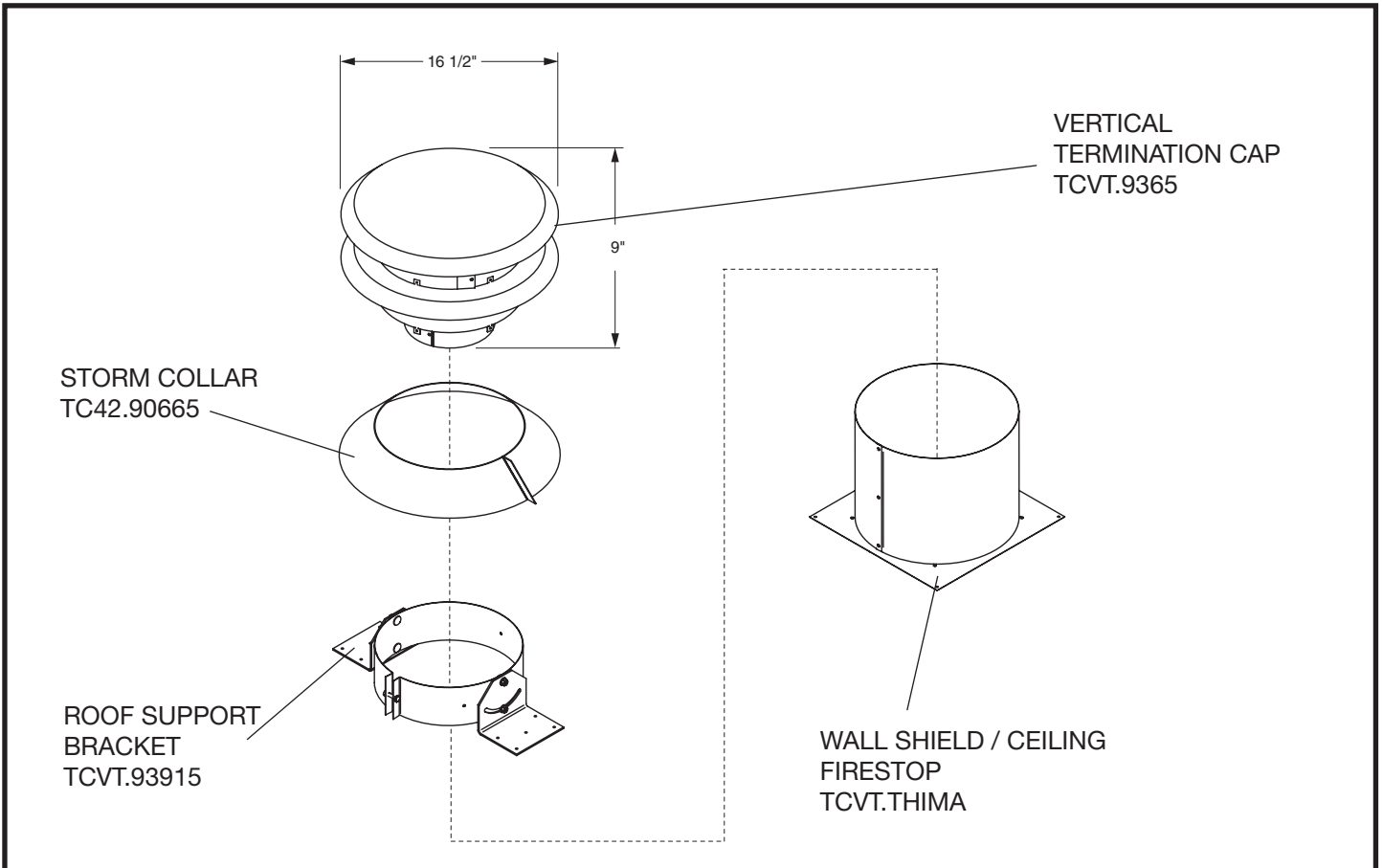


Figure 52: Roof termination kit.

# Vent Pipe Dimensions

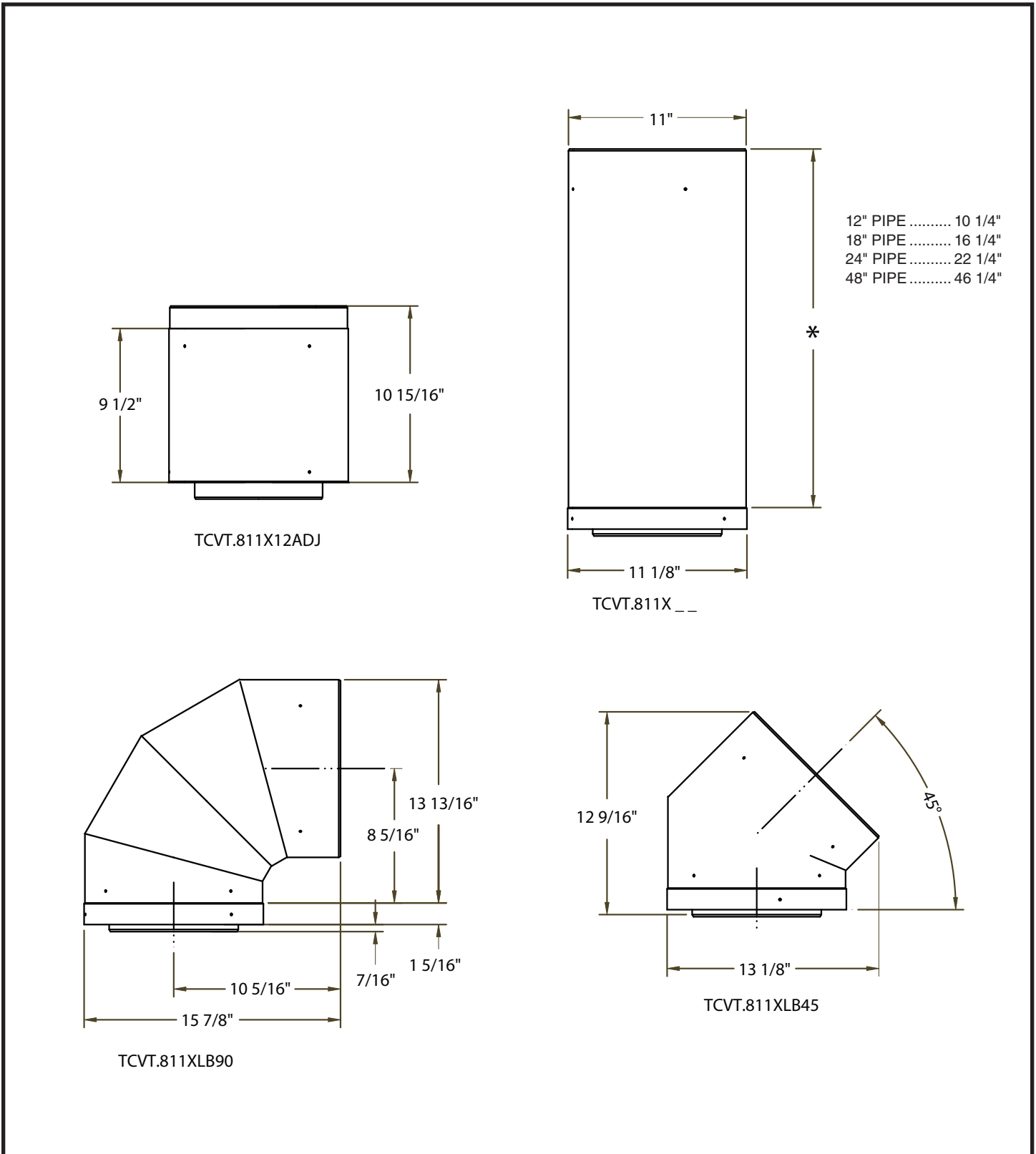
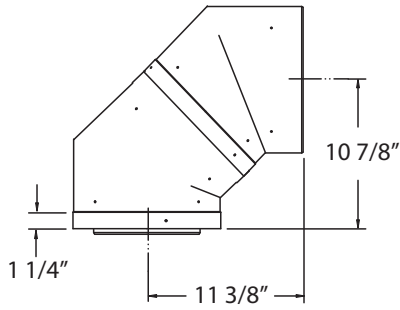


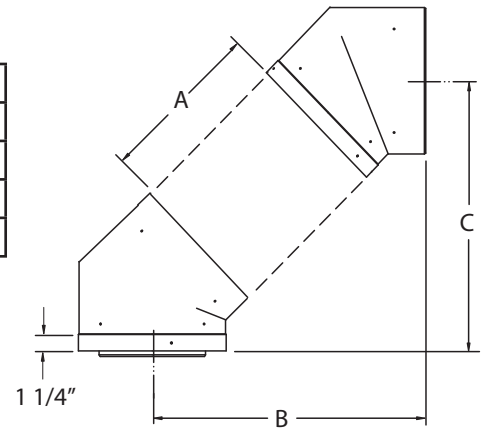
Figure 53: Vent pipe dimensions.



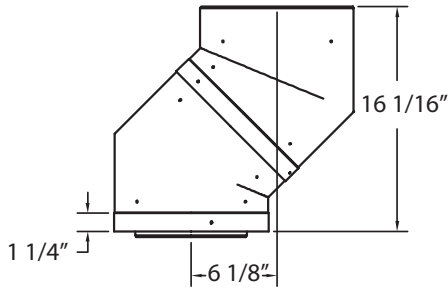
# Vent Offset Chart



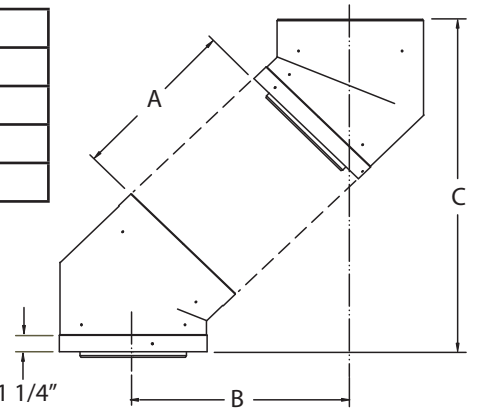
A	B	C
12" PIPE	18 5/8"	18"
18" PIPE	22 7/8"	22 3/8"
24" PIPE	27 1/8"	26 1/2"
48" PIPE	44 1/16"	43 1/2"



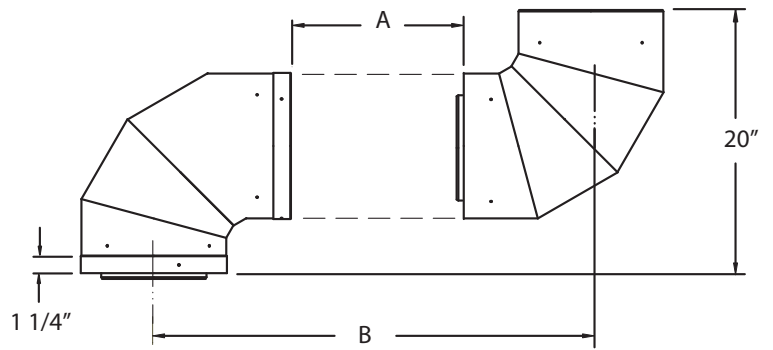
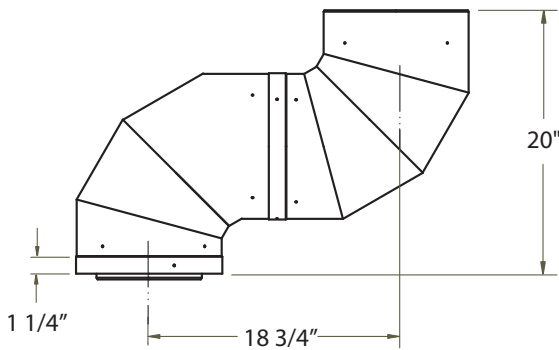
ADDING AN ADJUSTABLE SECTION TO PIPE WILL INCREASE OFFSET BY 2 1/8" TO 6 3/4"



A	B	C
12" PIPE	13 7/16"	23 1/4"
18" PIPE	17 9/16"	27 5/8"
24" PIPE	21 7/8"	31 3/4"
48" PIPE	38 3/4"	44 7/8"



ADDING AN ADJUSTABLE SECTION TO PIPE WILL INCREASE OFFSET BY 2 1/8" 1 1/4" TO 6 3/4"



A	B
12" PIPE	29"
18" PIPE	35"
24" PIPE	41"
48" PIPE	65"

ADDING AN ADJUSTABLE SECTION TO PIPE WILL INCREASE OFFSET BY 3" TO 9 1/2"

Figure 54: Vent offsets.

# Rating Label Location

**NOTE:** The Rating Label is located on a plate found in a slot between the left hand side lintel and the left hand side window frame. This plate is attached to the left side casing with a cable.



**VENTED OUTDOOR GAS FIREPLACE - NOT FOR USE WITH SOLID FUEL, FOYER AU GAZ À ÉVACUATION - NE PAS UTILISER AVEC DU COMBUSTIBLE SOLIDE**

ANSI Z21.97- 2010 Outdoor Decorative Gas Fireplaces  
CAN/CGA CR97- 003 Outdoor Gas Fireplaces

WH-

This Appliance is Equipped For Use With /  
Cet Appareil est Équipé Pour Utiliser Avec :

NATURAL GAS ■ LP-GAS ■  
GAZ NATUREL ■ LP GAZ ■

Certified for / Certifié pour Canada and U.S.A.

TOWN & COUNTRY  
FIREPLACES™

MODEL/  
MODELE: **TC420D**

SERIES/  
SERIE: **C**

MADE IN CANADA  
FABRIQUE AU CANADA

**FOR USE WITH/  
EN CASE D'EMPLOI AVEC:**

Minimum supply pressure / Pression minimum d'alimentation:  
(For the purpose of input adjustment / dans le but de régler l'alimentation)  
Maximum supply pressure / Pression maximum d'alimentation:

Manifold pressure / Pression de la tuyauterie: Maximum

Orifice Size / Diametre de l'injecteur:

Input BTU/hr (kW) / Entree BTU/h (kW):

**NATURAL GAS/  
DU GAZ NATUREL**

**LP GAS/  
DU GAZ LP**

5.0 in/wc / 5.0 po/c.e.  
(1.25 kPa)

13.9 in/wc / 13.9 po/c.e.  
(3.45 kPa)

3.8 in/wc / 3.8 po/c.e.  
(0.95 kPa)

# 25 (3.8 mm)

Max.: 61,000 (17.9)  
Min.: 46,200 (13.5)

12.5 in/wc / 12.5 po/c.e.  
(3.11 kPa)

13.9 in/wc / 13.9 po/c.e.  
(3.45 kPa)

11.0 in/wc / 11.0 po/c.e.  
(2.74 kPa)

3/32" (2.38 mm)

Max.: 61,000 (17.9)  
Min.: 46,200 (13.5)

**FOR OUTDOOR USE ONLY / POUR USAGE EXTÉRIEUR SEULEMENT**

Electrical rating: 115v, 60hz, 1.5 A / Note électrique: 115v, 60hz, 1.5 A. This appliance equipped for altitudes 0 - 4500 ft. (0 - 1372 m) / Cet unité est conçu pour des altitudes variant entre 0 - 4500 pieds (0 - 1372 m). This appliance must be installed in accordance with local codes, if any; if none, follow the current CAN/CGA-B149 (Canada), or ANSI Z223.1 (USA) Installation Codes. Installer l'appareil selon les codes ou règlements locaux, ou, en l'absence de tels règlements, selon les codes d'installation CAN/CGA-B149 (Canada), or ANSI Z223.1 (USA) en vigueur. The appliance, when installed, must be electrically grounded in accordance with local codes or, in the absence of local codes, with the Canadian Electrical Code, CSA C22.1 or with the National Electrical Code, ANSI/NFPA 70. L'appareil, une fois installé, doit être connecté électriquement à la terre conformément aux codes locaux ou, en l'absence de codes locaux, avec le Code canadien de l'électricité, CSAC22.1 ou avec le National Electrical Code, ANSI/NFPA70.

**WARNING:** Do not store or use gasoline or other flammable vapors or liquids in the vicinity of this or any other appliance. An LP cylinder not connected for use shall not be stored in the vicinity of this or any other appliance.  
**AVERTISSEMENT :** Ne stockez pas ou utilisez l'essence ou d'autres vapeurs inflammables ou des liquides aux alentours de ceci ou un autre appareil. Un cylindre LP non connecté pour l'utilisation ne sera pas stocké aux alentours de ceci ou un autre appareil.

**FOR USE WITH GLASS DOORS CERTIFIED WITH THE APPLIANCE ONLY / POUR UTILISATION UNIQUEMENT AVEC LES PORTES IN VERRE CERTIFIÉES AVEC L'APPAREIL**

**MINIMUM CLEARANCES TO COMBUSTIBLES / CLAIRANCES MINIMALES AVEC LES COMBUSTIBLE**

Left and Right side are determined when facing the front of the appliance. / Les côtés droit et gauche se déterminent en se mettant devant l'appareil et en lui faisant face.

Top, Back and Side Standoffs / Sommet, Arrière et Côté Butée  
Sidewall to Appliance / Du mur latéral a l'appareil  
Ceiling to Appliance / Plafond a l'appareil  
Mantel to Appliance / Du manteau al'appareil  
Maximum Mantel Extension / Allongement maximum du manteau  
\*See Installation Manual for more detail / Voyez des Directive de l'Installation pour plus détails.  
Mantel Supports / Supports du manteau  
Vent Pipe / Déchargez le Tuyau

0 in./ 0 po. (0 mm)  
4 in./ 4 po. (102 mm)  
24 in./ 24 po. (610 mm)  
\*9 in./ 9 po. (229 mm)  
\*12 in./ 12 po. (305 mm)

4 in./ 4 po. (102 mm)  
1.75 in./ 1.75 po. (45 mm)

**WARNING:** Improper installation, adjustment, alteration, service or maintenance can cause injury or property damage. Refer to the owner's information manual provided with this appliance. For assistance or additional information, consult a qualified installer, service agency or the gas supplier.  
**AVERTISSEMENT:** Une installation, un réglage, une modification, une réparation ou un entretien mal effectué peut causer des dommages matériels ou des blessures. Voir la notice de l'utilisateur qui accompagne l'appareil. Pour de l'aide ou des renseignements supplémentaires, consultez un installateur, un technicien agréé ou le fournisseur de gaz.

Pacific Energy  
Fireplace Products Ltd.  
Duncan, British Columbia,  
Canada

**DDV  
TECHNOLOGY**

Accepted for Use  
City of New York  
Department of Buildings  
MEA 55-07-E  
Pacific Energy  
Fireplace Products Ltd.

290212

5050.7209

1-TC420D-C



© 2016 Copyright Pacific Energy Fireplace Products LTD

Reproduction, adaptation, or translation  
without prior written permission is prohibited,  
except as allowed under the copyright laws.



TOWN & COUNTRY  
L U X U R Y F I R E P L A C E S

**For Technical Support, please contact your retailer.**

**[www.townandcountryfireplaces.net](http://www.townandcountryfireplaces.net)  
2975 Allenby Rd., Duncan, BC V9L 6V8**

Printed in Canada