

**INSTALLER:** Leave this manual with the appliance.  
**CONSUMER:** Retain this manual for future reference.

**WARNING:** If the information in these instructions is not followed exactly, a fire or explosion may result causing property damage, personal injury or death.

**DANGER:** If you smell gas:

1. Shut off gas to the appliance
2. Extinguish any open flame.
3. If odor continues, keep away from the appliance and immediately call your gas supplier or fire department.

**WARNING:** Do not store or use gasoline or other flammable vapors and liquids in the vicinity of this or any other appliance.

An LP-cylinder not connected for use shall not be stored

**WARNING:** Improper installation, adjustment, alteration, service or maintenance can cause injury or property damage. Read the installation, operating and maintenance instructions thoroughly before installing or servicing this equipment.



**TOWN & COUNTRY**  
LUXURY FIREPLACES

SERIAL #

## TCWS54 OUTDOOR GAS FIREPLACE INSTALLATION AND OPERATING INSTRUCTIONS



### MODEL TCWS.54OD SERIES C MODULAR DIRECT VENT

**! DANGER**



#### CARBON MONOXIDE HAZARD

This appliance can produce carbon monoxide which has no odor.

Using it in an enclosed space can kill you.

Never use this appliance in an enclosed space such as a camper, tent, car or home.

**WARNING:**  
**For Outdoor Use Only**



Installation and service must be performed by a qualified installer, service agency or the gas supplier.

Visit [www.townandcountryfireplaces.net](http://www.townandcountryfireplaces.net) for the most recent version of this manual

# Table of Contents

Caution .....	3	Roof Termination Venting Chart .....	18
Safety .....	3	Ceiling Opening.....	19
Important Note for the Commonwealth of Massachusetts .....	4	Ceiling Firestop .....	19
This Fireplace Is Intended For Outdoor Use Only! .....	5	Vent Pipe .....	19
Propane Conversion .....	6	Roof Support Bracket .....	19
Fireplace Dimensions .....	7	Roof Vent Terminal .....	20
Minimum Clearances to Combustible Material .....	7	Vent Terminal Clearance .....	21
Mantel Clearance Chart .....	7	Vent Pipe Sealant .....	22
Installation Requirements .....	8	Vent Restrictor Adjustment .....	23
Window Frame Removal .....	8	Firebox Panels Installation .....	24
Standoffs .....	9	Lighting Instructions .....	25
Locating The Fireplace .....	9	First Fire .....	25
Framing and Finishing .....	10	Maintenance .....	26
Steel Stud Framing Kit Dimensions .....	10	Glass Panel .....	26
Non-Combustible Board Detail .....	11	Annual Inspection.....	26
Minimum Combustible .....	11	Periodically.....	26
Framing Dimensions .....	11	TCWS.54CODE Replacement Parts .....	27
Non-Combustible Recessed Installation Detail .....	11	Honeywell Control System Replacement Parts .....	28
Steel Stud Framing Kit .....	12	Wiring Diagram .....	29
Frame assembly.....	13	Roof Termination Kit .....	30
Adjustable Lintel .....	15	Vent Pipe Dimensions .....	31
Honeywell Control Valve Plumbing and Electrical .....	16	Vent Offset Chart .....	32
Installation .....	16	Quick Panel Removal for Valve Service .....	33
Gas Supply .....	17	Rating Label Location .....	34
Gas Pressure Check .....	17		
Correct gas pressure requirement.....	17		
Venting .....	18		

## DANGER

**HOT GLASS WILL CAUSE BURNS.**

**DO NOT TOUCH GLASS UNTIL COOLED.**

**NEVER ALLOW CHILDREN TO TOUCH GLASS.**

**WARNING: Solid fuels should not be burned in this appliance.**

**Warning:**  
 This appliance is only for use with the type of gas indicated on the rating plate. This appliance is not convertible for use with other gases, unless a certified kit is used.

---

## Caution

---

FOR YOUR SAFETY - Do not install or operate your Town & Country fireplace without first reading and understanding this manual. Any installation or operational deviation from the following instructions voids the Town & Country Fireplaces Warranty and may prove hazardous.

This appliance and its individual shut off valve must be disconnected from gas supply piping system during any pressure testing of that system at test pressures in excess of 1/2 psig (3.5 kPa).

This appliance must be isolated from the gas supply piping system by closing its individual manual shut off valve during any pressure testing of the gas supply piping system at test pressures equal to or less than 1/2 psig (3.5 kPa).

Note: When lit for the first time, the appliance will emit a slight odour for a couple of hours. This is due to the curing of paints, sealants and lubricants used in the manufacturing process. This condition is temporary. Open doors and windows to ventilate area. Smoke and fumes caused by the curing process may cause discomfort to some individuals.

Do not use the fireplace if any part has been under water. Immediately call a qualified service technician to inspect the fireplace and to replace any part of the control system and any gas control which has been under water.



We recommend that our gas hearth products be installed and serviced by professionals who are certified in the United States by the National Fireplace Institute® (NFI) as NFI Gas Specialists

---

## Safety

---

Due to high temperatures, this gas appliance should be located out of traffic and away from furniture and draperies.

Children and adults should be alerted to the hazards of high surface temperatures and should stay away to avoid burns or clothing ignition.

Young children should be carefully supervised when they are in the same room as the appliance.

Clothing or other flammable material should not be placed on or near the appliance.

Any grill, panel or door removed for servicing the unit must be replaced prior to operating. Failure to do so may create a hazardous condition.

Installation and repair should be done by a qualified service person. The appliance should be inspected before use and at least annually by a professional service person. More frequent cleaning may be required due to excessive lint from carpeting, bedding material, etc. It is imperative that control compartments, burners and circulating air passageways of the appliance be kept clean.

It is our policy that no responsibility is assumed by the Company or by any of its employees or representatives for any damages caused by an inoperable, inadequate, or unsafe condition which is the result, either directly or indirectly, of any improper operation or installation procedures.

This appliance must not be connected to a chimney flue serving a separate solid fuel burning appliance.

# — Important Note for the Commonwealth of Massachusetts —

From Massachusetts Rules and Regulations 248 CMR 5.08:

(a) For all side wall horizontally vented gas fuelled equipment installed in every dwelling, building or structure used in whole or in part for residential purposes, including those owned or operated by the Commonwealth and where the side wall exhaust vent termination is less than seven (7) feet above finished grade in the area of the venting, including but not limited to decks and porches, the following requirements shall be satisfied.

1. **INSTALLATION OF CARBON MONOXIDE DETECTORS.** At the time of installation of the side wall horizontal vented gas fuelled equipment, the installing plumber or gas fitter shall observe that a hard wired carbon monoxide detector with an alarm and battery back-up is installed on the floor level where the gas equipment is to be installed, in addition, the installing plumber or gas fitter shall observe that a battery operated or hard-wired carbon monoxide detector with an alarm is installed on each additional level of the dwelling, building or structure served by the side wall horizontal vented gas fuelled equipment. It shall be the responsibility of the property owner to secure the services of qualified licensed professionals for the installation of hard-wired carbon monoxide detectors.

a. In the event that the side wall horizontally vented gas fuelled equipment is installed in a crawl space or an attic, the hard-wired carbon monoxide detector with alarm and battery back-up may be installed on the next adjacent floor level.

b. In the event that the requirements of this subdivision cannot be met at the time of completion of installation, the owner shall have a period of thirty (30) days to comply with the above requirements; provided, however, that during said thirty (30) day period, a battery operated carbon monoxide detector with an alarm shall be installed.

2. **APPROVED CARBON MONOXIDE DETECTORS.** Each carbon monoxide detector as required in accordance with the above provisions shall comply with NFPA 720 and be ANSI/UL 2034 listed as IAS certified.

3. **SIGNAGE.** A metal or plastic identification plate shall be permanently mounted to the exterior of the building at a minimum height of eight (8) feet above grade directly in line with the exhaust vent terminal for the horizontally vented gas fuelled heating appliance or equipment. The sign shall read, in print size no less than one-half (1/2) inch in size, "GAS VENT DIRECTLY BELOW. KEEP CLEAR OF ALL OBSTRUCTIONS"

4. **INSPECTION.** The state or local gas inspector of the side wall horizontally vented gas fuelled equipment shall not approve the installation unless, upon inspection, the inspector observes carbon monoxide detectors and signage installed in accordance with the provisions of 248 CMR 5.089(2)(a) 1 through 4.

(b) **EXEMPTIONS.** The following equipment is exempt from 248 CMR 5.089(2)(a) 1 through 4.

1. The equipment listed in Chapter 10 entitled "Equipment Not Required To Be Vented" in the most current edition of NFPA 54 as adopted by the Board; and

2. Product Approved side wall horizontal vented gas fuelled equipment installed in a room or structure separate from the dwelling, building or structure used in whole or in part for residential purposes.

(c) **MANUFACTURER REQUIREMENTS – GAS EQUIPMENT VENTING SYSTEM PROVIDED.** When the manufacturer of Product Approved side wall horizontally vented gas equipment provides a venting system design or venting system components with the equipment, the instructions provided by the manufacturer for installation of the equipment and the venting system shall include:

1. Detailed instructions for the installation of the venting system design or the venting system components; and

2. A complete parts list for the venting system design or venting system.

(d) **MANUFACTURER REQUIREMENTS – GAS EQUIPMENT VENTING SYSTEM NOT PROVIDED.** When the manufacturer of a Product Approved side wall horizontally vented gas fuelled equipment does not provide the parts for venting the fuel gases, but identifies "special venting systems," the following requirements shall be satisfied by the manufacturer.

1. The referenced "special venting system" instructions shall be included with the appliance or equipment installation instructions; and

2. The "special venting systems" shall be Product Approved by the Board, and the instructions for that system shall include a parts list and detailed installation instructions.

(e) A copy of all installation instructions for all Product Approved side wall horizontally vented gas fuelled equipment, all venting instructions, all parts lists for venting instructions, and/or all venting design instructions shall remain with the appliance or equipment at the completion of the installation.

## **———— This Fireplace Is Intended For Outdoor Use Only! ————**

- **The fireplace must be located inside of a weatherproof enclosure.**
- **Flashing must be installed around the fireplace opening in accordance with local building codes in order to prevent moisture from entering the enclosure.**
- **A drip pan (not supplied with the unit) must be installed under the fireplace and be provided with a means of draining.**
- **Care must be taken to select materials and building practices which will protect the enclosure and fireplace from exposure to moisture.**
- **Not for use with a power vent.**

# Propane Conversion

Note: This fireplace comes with a pre-installed Honeywell pilot. When installing the burner assembly, remove the pilot that came attached to the burner and discard.

**DO NOT USE ANY OTHER PILOT WITH YOUR OUTDOOR UNIT OTHER THAN THE HONEYWELL PILOT THAT CAME INSTALLED IN THE FIREPLACE.**

1. Remove the compression fitting from the bottom of the orifice housing and gently tap the pilot in your hand. The natural gas orifice should fall out (Figure 1).
2. Insert the propane orifice that came in your instruction pack as shown into the orifice housing and reattach the pilot to the compression fitting and pilot tube (Figure 2) & (Figure 3).
3. Using the valve conversion kit that came in the instruction pack, convert the valve to propane following the instructions provided with the kit (Figure 4).

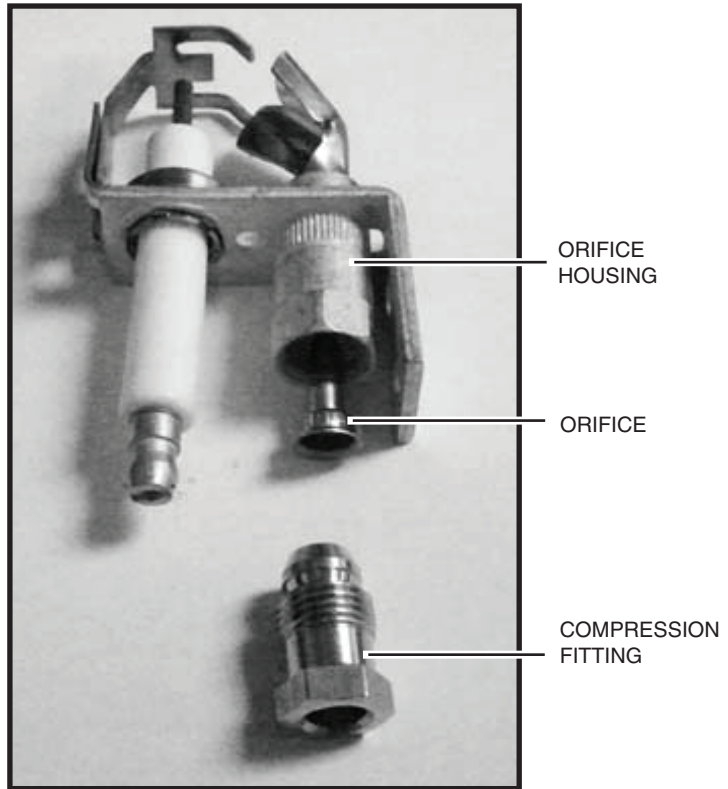


Figure 2: Orifice insert.

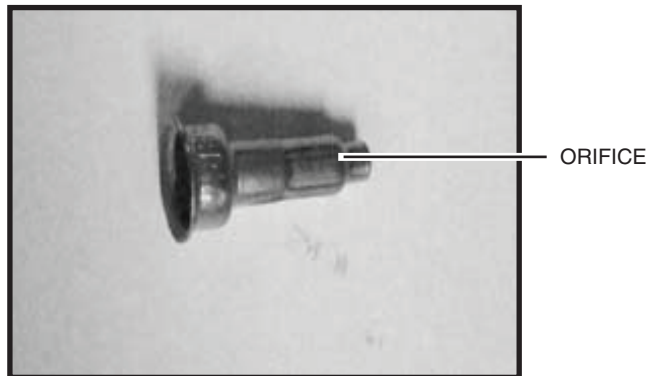


Figure 3: ORIFICE.



ORIFICE HOUSING      Figure 1: PILOT.      COMPRESSION FITTING



Figure 4: Valve conversion kit.



# Fireplace Dimensions

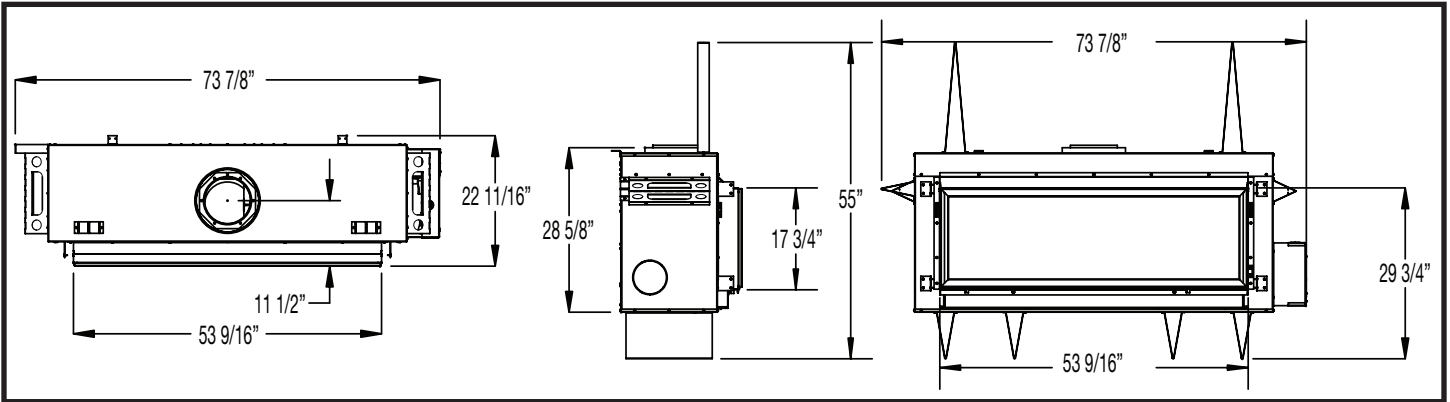


Figure 5: TCWS.54 CODE dimensions.

## Minimum Clearances to Combustible Material

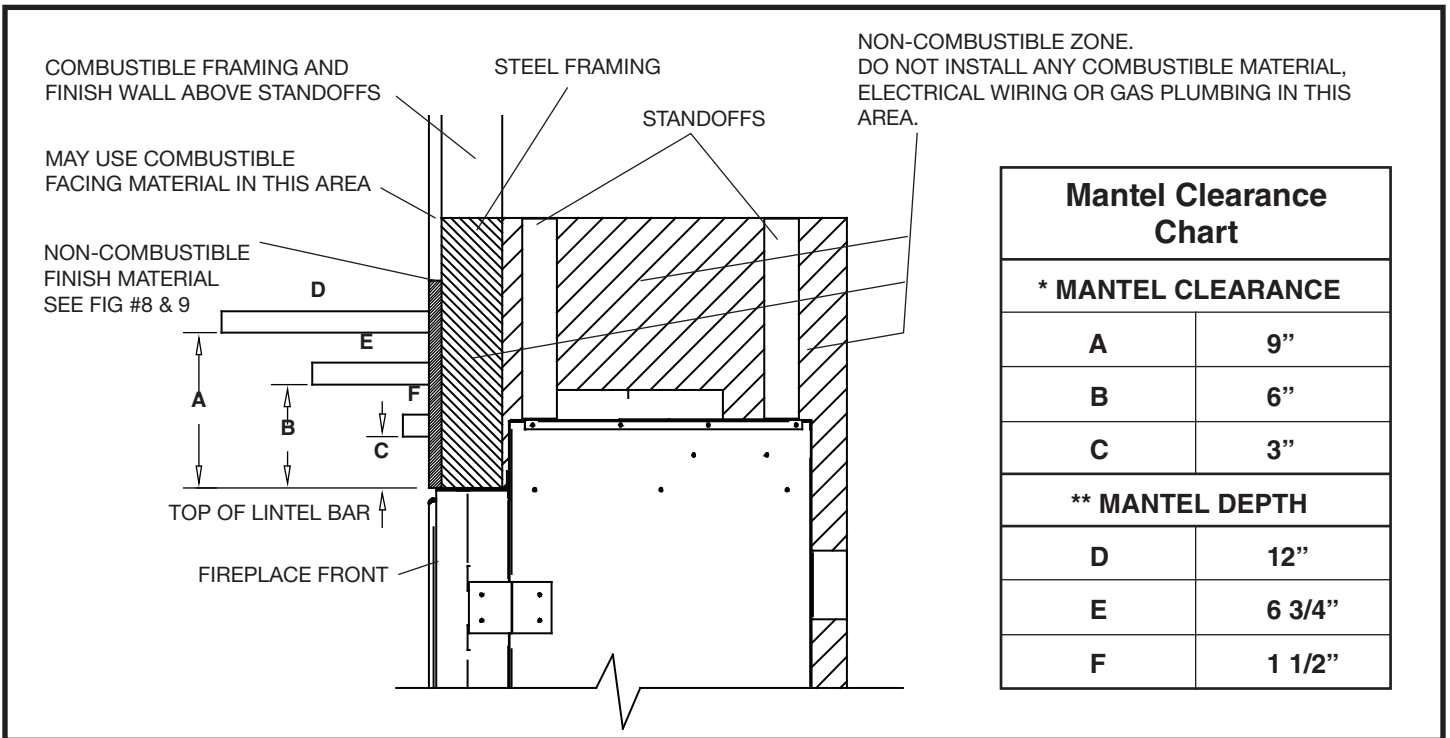


Figure 6: Mantel clearances.

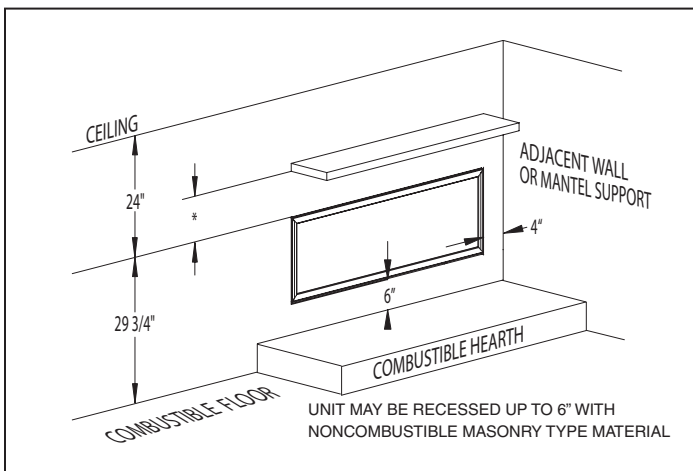


Figure 7: Mantel.

**Minimum Clearances:**

Side standoffs .....	0 in.	(0 mm)
Back standoffs .....	0 in.	(0 mm)
Top standoffs .....	0 in.	(0 mm)
Bottom of appliance .....	0 in.	(0 mm)
Adjacent side wall .....	4 in.	(102 mm)
Ceiling to appliance .....	24 in.	(610 mm)
*Mantel to appliance .....	See Figure #6	
**Maximum Mantel extension .....	See Figure #6	
Mantel support .....	4 in.	(102 mm)
Vertical vent pipe .....	1 3/4 in.	(45 mm)

## Installation Requirements

The Town & Country Fireplace installation and venting must conform to the current CAN/CGA-B149 installation code (in Canada) or the current National Fuel Gas Code, ANSI Z223.1 (in the USA), and approved per local codes. Only qualified (licensed or trained) personnel should install this product.

In the state of Massachusetts, only a licensed Plumber and Gas Fitter may install this product.

## Window Frame Removal

**Warning:** Turn off the fireplace, and allow ample time for the unit to cool before proceeding.

**Caution:** The ceramic glass is very fragile, and should be handled with care.

The window frame is held in place by two spring-loaded latches that are operated by a one-piece latch handle.

1. Remove the TC Finishing Touch Trim Kit from the window frame. (If installed)
2. Using a screwdriver or other similar object, push against the notch in the top of the latch and grab the bottom of the latch handle as it protrudes. Lift handle until latch hook disengages (Figure 8) & (Figure 9). Repeat for other side while holding glass so it does not tip out.
3. Tilt the top of the window frame out to clear the top edge of the unit. Grasp the sides of the frame and lift up and out to disengage from its bottom track.
4. Place the window frame in a safe place to avoid damage.
5. Re-assemble in reverse order. Latch handle should snap into place and be flush with window frame when engaged correctly.
6. Reinstall Trim Kit if required.

### TIP:

To ensure glass is properly latched, grasp the top left and right sides of the glass frame, under moderate pressure it should pull forward and return to original position evenly on both sides.



Figure 8: Accessing handle.

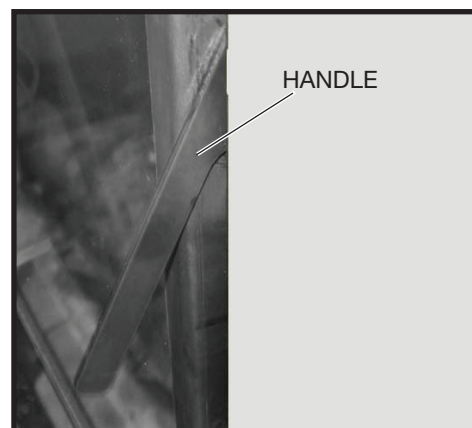


Figure 9: Handle.



## Standoffs

The standoffs are shipped loose inside the fireplace and must be installed on the top and the side of the fireplace as shown in (Figure 10). Do this once the fireplace is on site and in position.

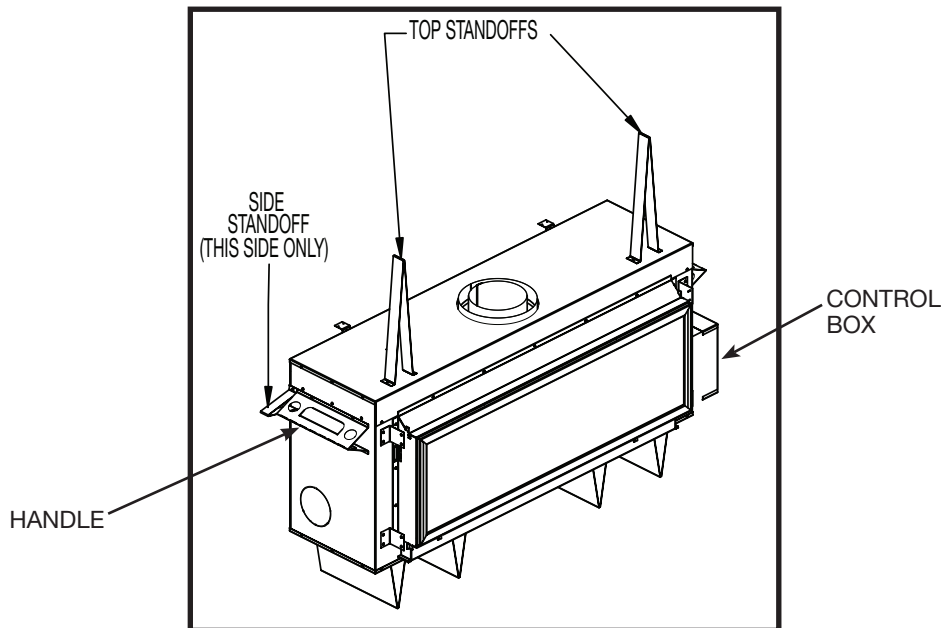


Figure 10: TCWS54CODE standoffs.

## Locating The Fireplace

In planning the installation for the fireplace, it is necessary to determine where the unit is to be installed, location of vent system and where gas supply piping may be plumbed. Various installations are possible, such as, into an existing wall, a corner, a built-in wall or a wall projection (Figure 11). Due to high temperatures, do not locate this fireplace in areas of high traffic or near furniture or draperies.

The minimum clearances from the fireplace to combustible surfaces must be adhered to and are shown in (Figure 6) & (Figure 7).

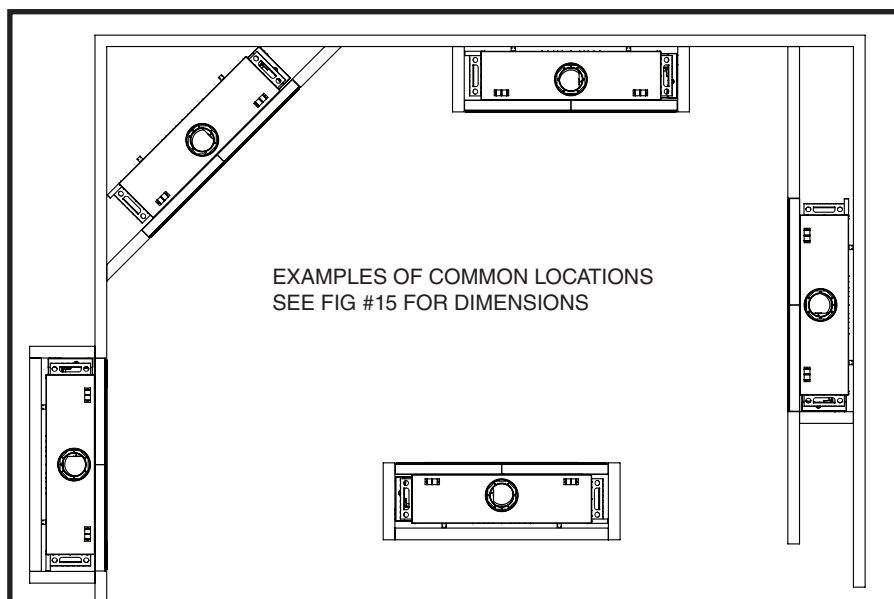


Figure 11: TCWS54CODE Possible locations.

## Framing and Finishing

**Note: The fireplace should be in place and venting installed before framing and building an enclosure around the unit.**

The Town & Country fireplace must be framed in as described below or totally enclosed with non-combustible material, such as facing brick.

Determine the total thickness of facing material to be used. A thickness of 3/4" will allow the finishing surface to be flush with the front of the unit. If preferred, additional masonry type non-combustible material can be installed above and to the sides up to 6 inches forward of the appliance.

**\*The finishing material must not interfere with glass frame access.\***

A Steel Stud Framing Kit is supplied with the fireplace and must be used unless the fireplace is totally enclosed with non-combustible material. Assemble the framing kit as per the instructions on pages 11 - 13

of this manual. Attach the steel frame to the fireplace once the fireplace is in its final position. Secure the steel frame to the framing brackets on each side of the unit. Ensure that the studs are set back far enough to allow for thickness of finishing surface.

The sides, back and top of the fireplace can be framed in up to the steel studs and the fireplace standoffs using conventional lumber. Consult local building codes for specific requirements.

Due to high temperatures, non-combustible backer board, such as cement board or its equivalent, must be used to sheet in the front of the fireplace, extending 12" below, 12" above and 9 5/8" to the side of the framing edge bars (Figure 13). Standard sheetrock (dry wall) may be used beyond this.

If the backer board is not to be finished with other non-combustible material such as tiles, it is recommended that the instructions in (Figure 15) be followed closely.

Fabricate and install appropriate flashing to local building code.

**Note: Installing unit without flashing installed will void the warranty**

**Note: Provide proper drainage to divert water underneath the unit**

**Chase Insulation:** When installing this fireplace against a non-insulated exterior wall or chase, it is recommended that the outer walls be insulated to the same degree as other exterior walls. Do not place fireplace directly against the insulation. Cover the insulation and plastic vapour barrier with a solid surface, such as dry wall (sheetrock). Consult local codes. Do not insulate or use plastic vapour barrier within the framing kit.

**CAUTION: SEE (Figure 15) BEFORE PROCEEDING.**

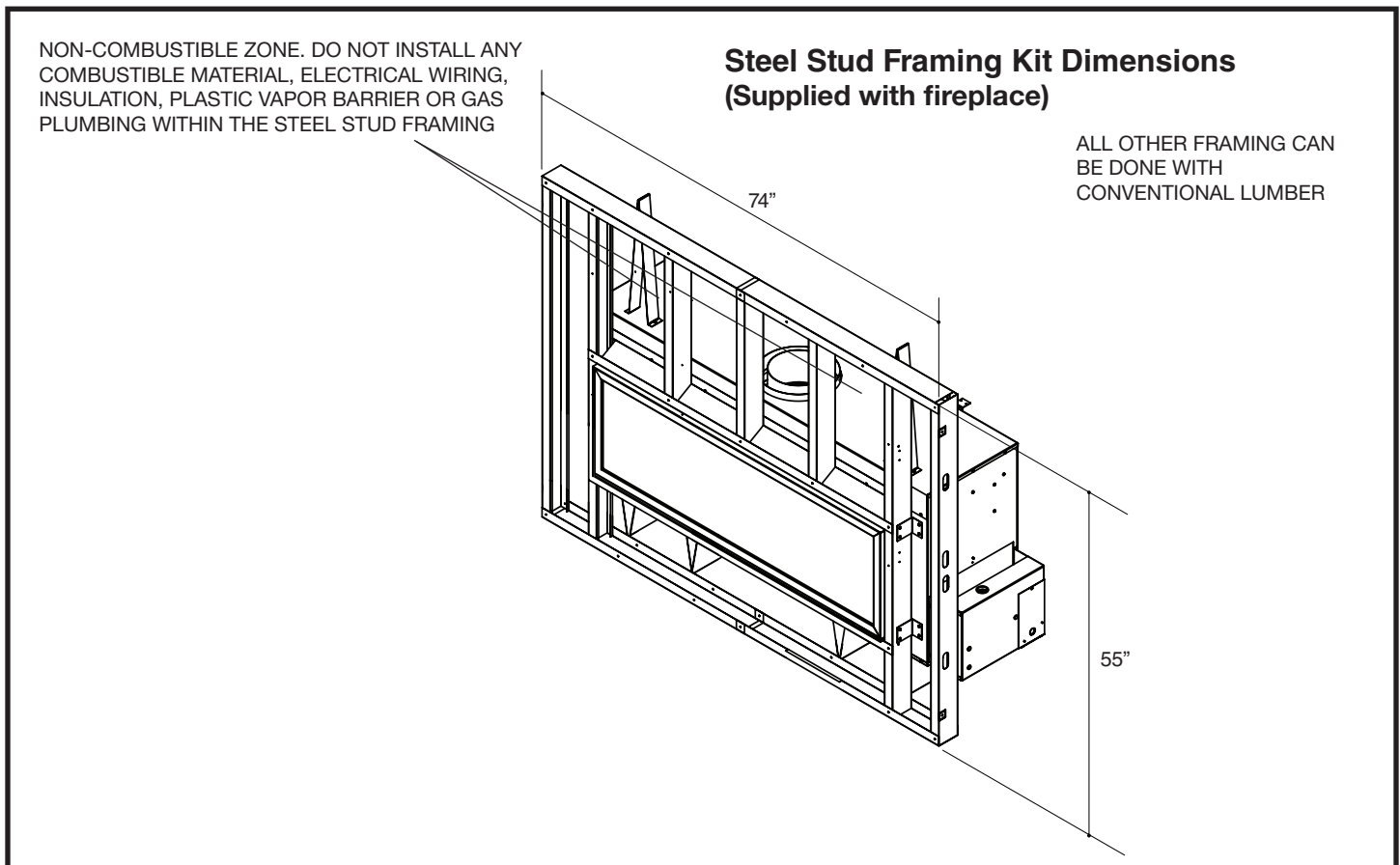
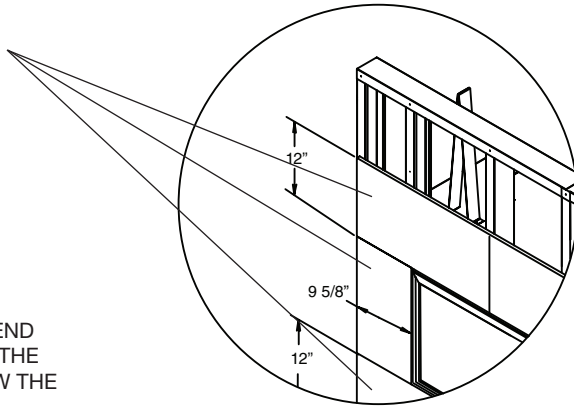


Figure 12: TCWS54CODE with supplied steel frame.

### Non-Combustible Board Detail

NON-COMBUSTIBLE BOARD

NON-COMBUSTIBLE MATERIAL MUST EXTEND 12" ABOVE, 9 5/8" TO THE SIDES AND 12" BELOW THE FRAMING EDGES.



IF FINISHING THE WALL ABOVE THE UNIT WITH PAINT, THE FRAMING KIT SHIPPED WITH THE UNIT SHOULD BE DISCARDED.

IT IS RECOMMENDED TO USE FULL SHEETS OF CALCIUM SILICATE BOARD OR ITS EQUIVALENT AND FULL LENGTH METAL STUDS TO FINISH AND FRAME AROUND THE UNIT.

FOLLOW THE MANUFACTURERS MOUNTING AND FINISHING INSTRUCTIONS CLOSELY.

NOTE: IT IS RECOMMENDED TO PREDRILL MOUNTING HOLES IN THE BOARD PRIOR TO SECURING TO THE FRAMING. THIS WILL PREVENT THE BOARD FROM CRACKING.

Figure 13: TCWS54CODE Non-combustible board dimensions.

### Non-Combustible Recessed Installation Detail

NON-COMBUSTIBLE BOARD

STEEL STUDS

NON-COMBUSTIBLE MASONRY TYPE MATERIAL

MAXIMUM FACING DEPTH

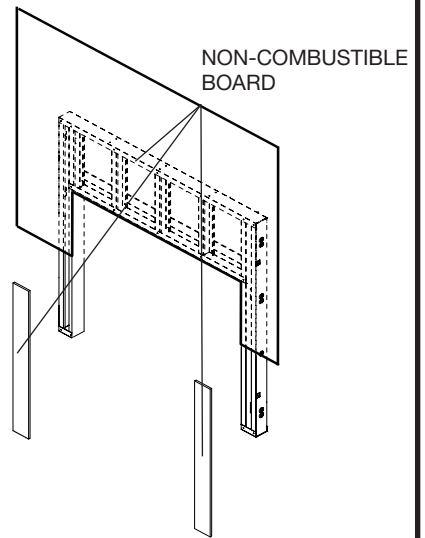
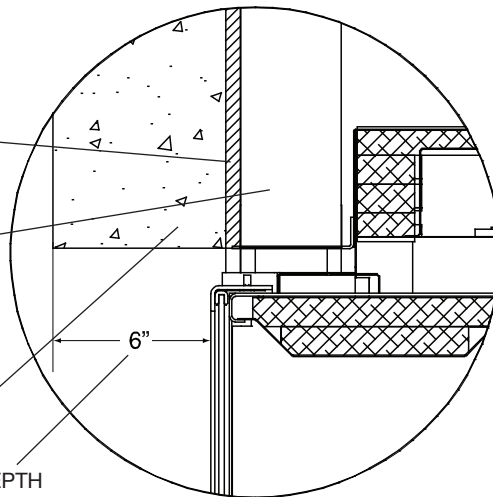
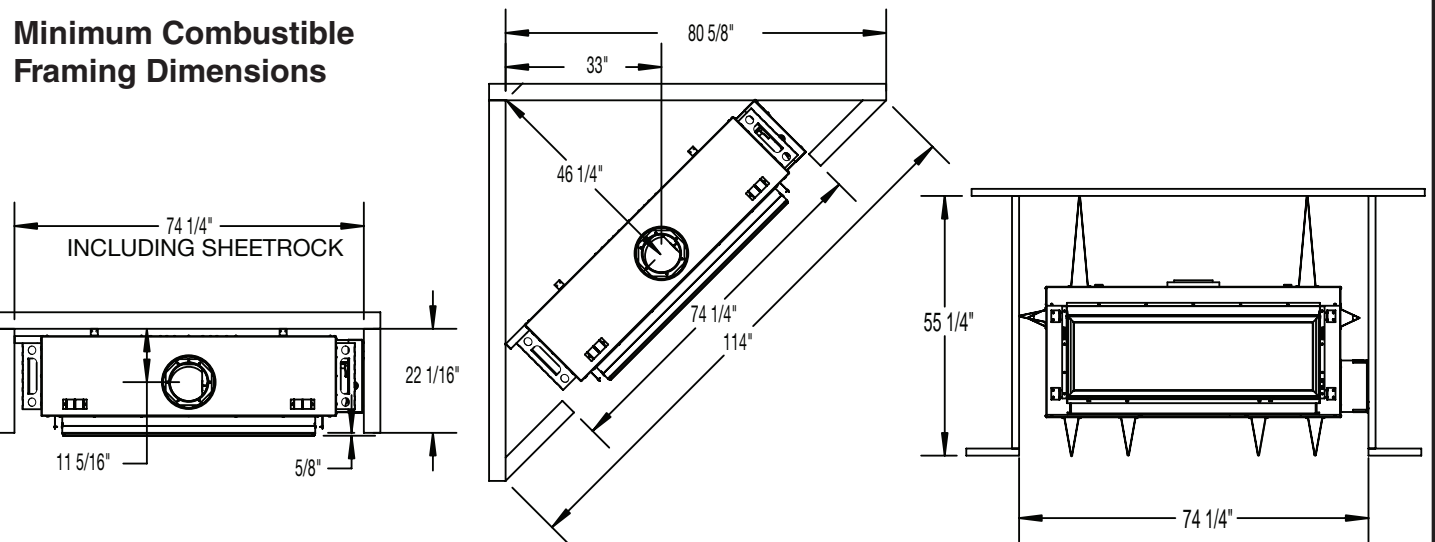


Figure 15: Non combustible calcium silicate board.

### Minimum Combustible Framing Dimensions



**NOTE:** Fireplace should be in its final location before framing.

Figure 16: Minimum combustible framing dimensions.

# Steel Stud Framing Kit

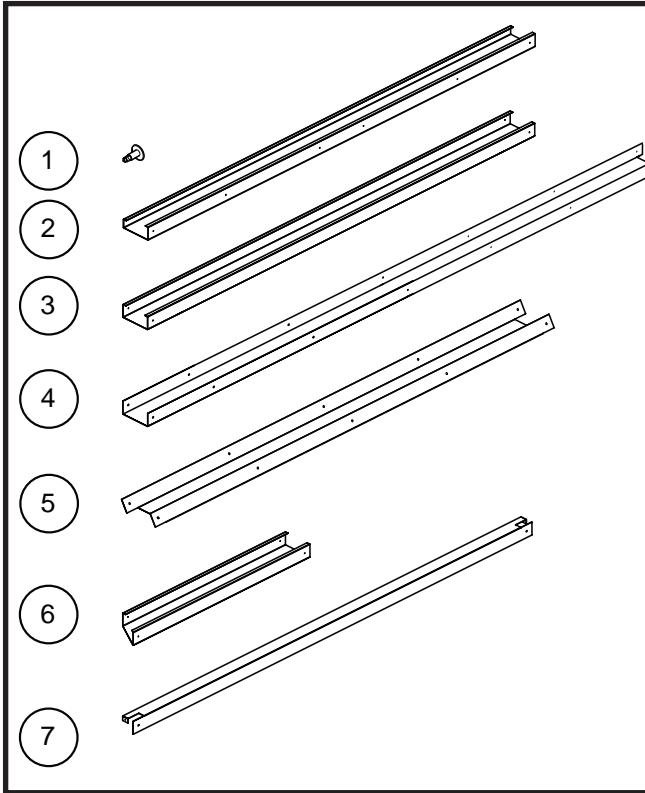


Figure 17: TCWS54CODE Framing kit parts.

## Each Kit Contains:

Item	Part #	Description	Qty.
1	5049.9912	SCREW, WAFER #8 x 1/2	Pkg 40
2	8293.4	STUD, SIDES 55" L	2
3	8293.2	STUD, OUTER SIDES 55" L	2
4	8293	STUD, UPPER/LOWER 75 1/4" L	2
5	8293.6	INNER CROSS BRACE 56 5/8" L	1
6	8293.8	STUD, CENTER 25" L	3
7	8293.9	LOWER CROSS BRACE 56 5/8" L	1

## Frame assembly

1. On a flat surface, lay one 75 1/4" (#4) stud on its end and at the top of your working area. This will be the top most horizontal stud.
2. Position all three 25" studs (#6) vertically with the center stud aligning with the center of the above (#4) horizontal stud. Use supplied screws to affix the tops of the vertical studs to the horizontal stud.
3. Position two - 55" studs (#2) on either side of the three vertical studs (#6), centering them so that they are approximately 56" from each other while being evenly centered in relation to the top (#4) stud. Use supplied screws to affix the tops of these studs to the top horizontal stud.
4. Position stud (#5) horizontally along the bottom ends of the three 25" (#6) vertical studs while aligning the ends of this stud with the two 55" (#2) studs. This stud has an angled bottom which makes one side of the stud higher on one edge than the other. The higher edge will face toward the fireplace once assembled. Use supplied screws to affix this stud to all five vertical studs (#2) & (#6).
5. Position stud (#7) horizontally approximately 12" from the bottom of the two vertical studs (#2). Make sure that the slot side is facing up. Affix the ends of this stud to the vertical (#2) studs.
6. With the tabs bent outward, position the two 55" (#3) studs vertically, one at each end of the top most horizontal stud (#4) and affix.
7. Place the final 75 1/4" (#4) horizontal stud at the bottom of the assembly and affix to the four vertical studs.
8. Turn the assembly over and affix the remaining screws to the other side of the frame.

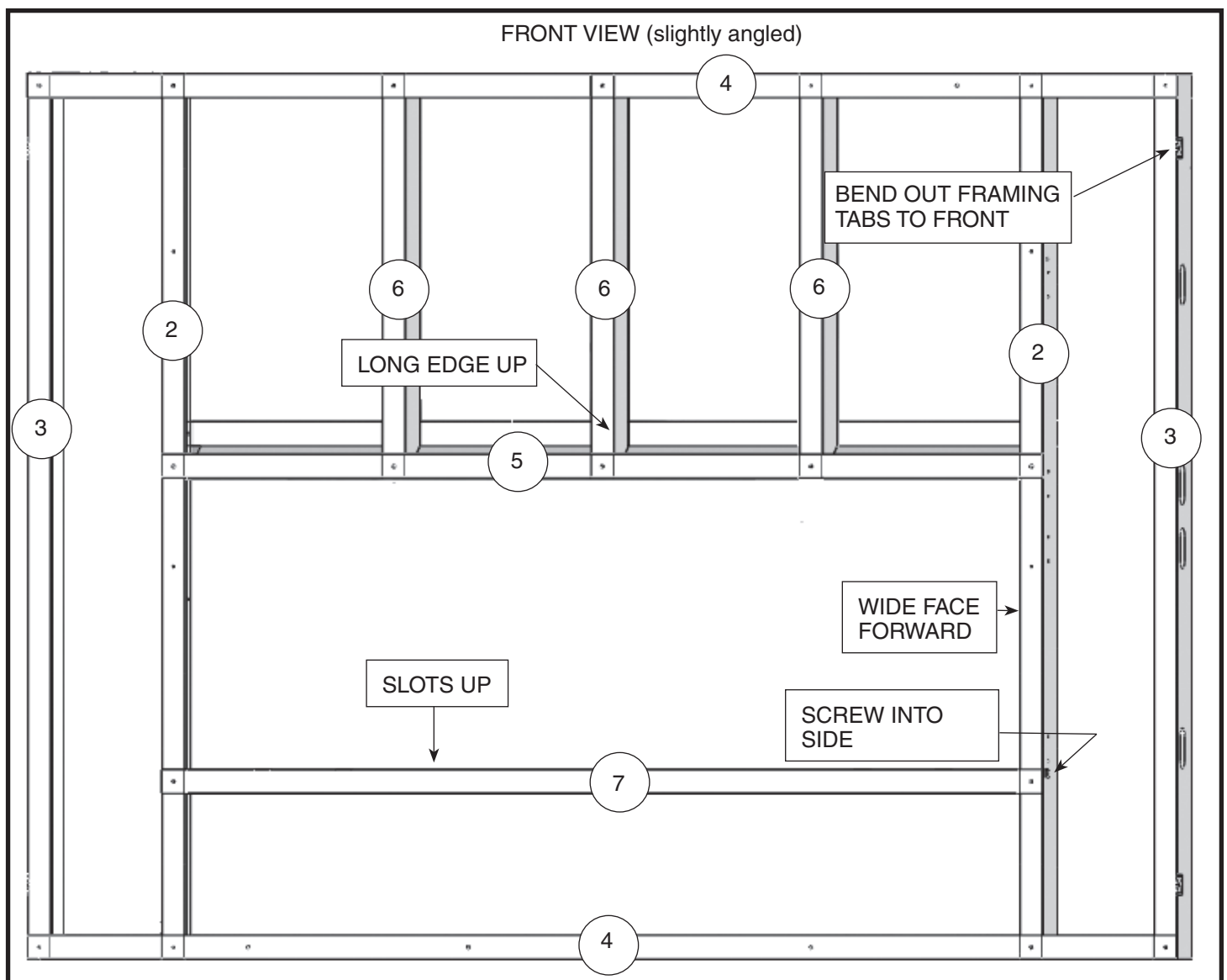


Figure 18: TCWS54CODE Steel frame assembled.

## 2. Attach the assembled frame to the fireplace

- Align the assembled frame to the fireplace framing brackets (Figure 19) Attach at the fastening points through the access holes in the outer side studs (3).

## 3. Secure to Existing Framing

- Bend out the tabs 90 degrees before inserting the unit into its framed housing (Figure 20).
- Secure the frame assembly to the wood frame through the tabs.

## 4. Install Non-Combustible Board (not supplied)

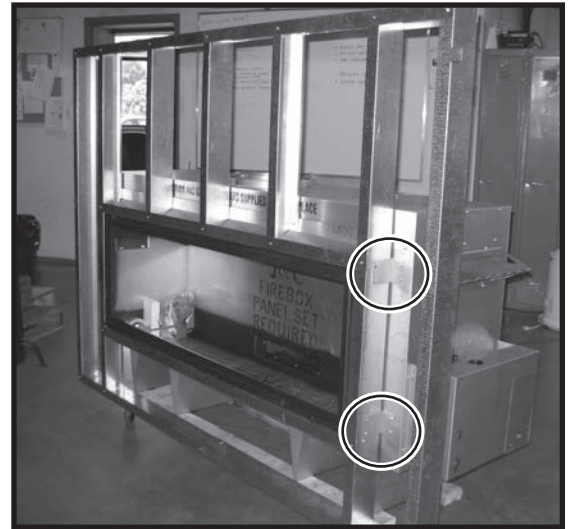


Figure 19: Framing bracket fastening points.



Figure 20: Framing tabs bent out.

This fireplace may be recessed up to a maximum depth of 6", this recess must be constructed from non combustible material. The space between the outside lintels and the firebox must be completely free of any obstructions or debris and the window with trim fitted must be able to move freely. No building material is permitted to protrude past the lintel bars attached to the fireplace under ANY circumstance.

NON COMBUSTIBLE  
FINISH MATERIAL

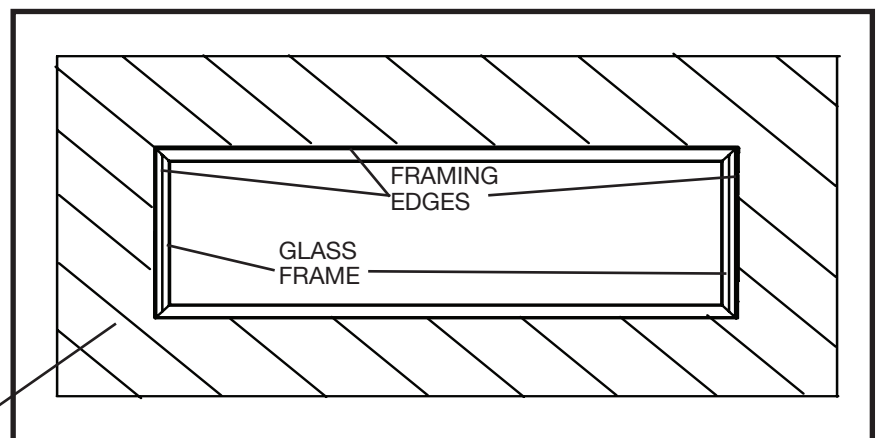


Figure 21: Non-combustible facing area.



## Adjustable Lintel

The adjustable lintel assembly has two orientations for desired finishing. A flanged edge and a hemmed edge. The lintel comes factory installed with the flange edge out. If the desired edge is different from the factory setting, use the following steps to change it.

1. Remove the window trim (Figure 22).
2. Loosen the securing bolts in the upper and lower corners on each side of the lintel and remove the lintel. Rotate the assembly to have the desired edge away from the fireplace (Figure 23).
3. The lintel assembly has a maximum range of adjustability of 1" to accommodate varying facing material thicknesses. The maximum depth is 6" (Figure 21).
4. The lintel assembly can then be adjusted to align flush with your facing material by sliding in or out approximately 1".
5. Tighten the securing bolts (Figure 23).
6. Re-attach the window trim.

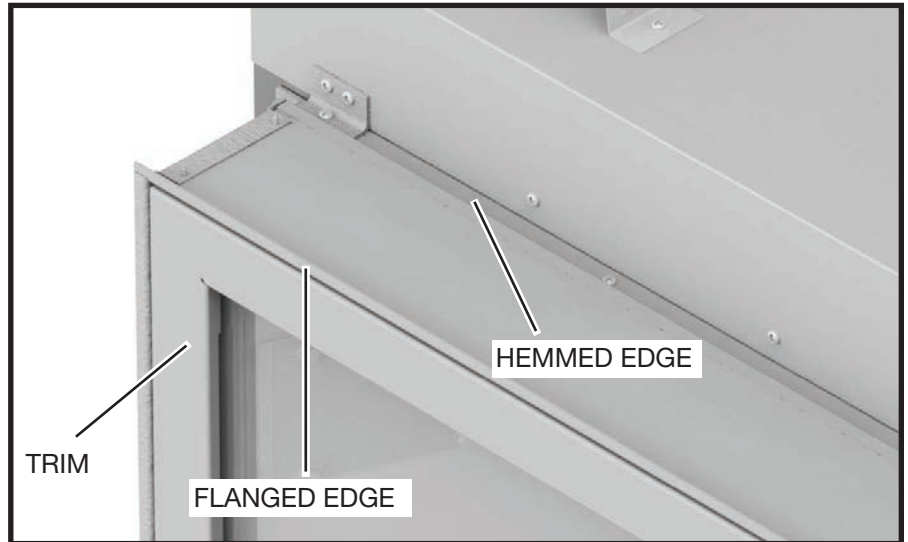


Figure 22: Flanged and hemmed lintel option.

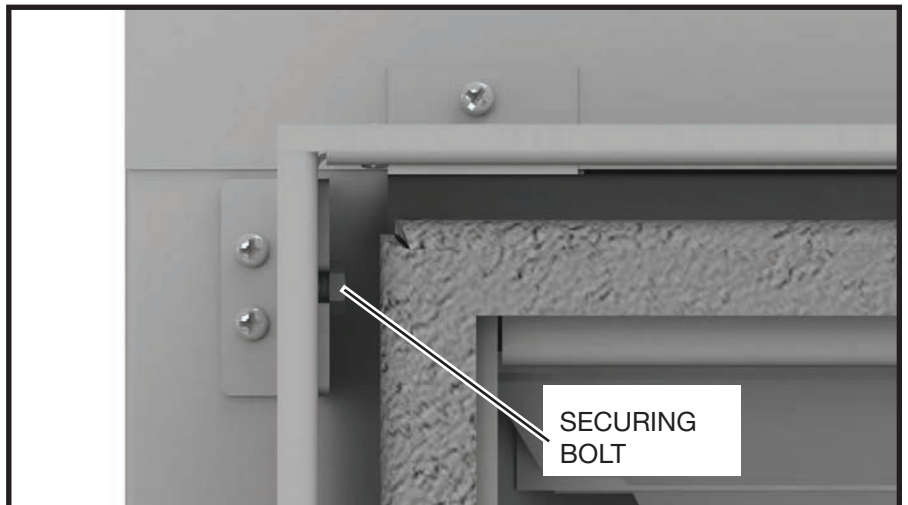


Figure 23: Lintel securing bolt.

# Honeywell Control Valve Plumbing and Electrical

The gas control system is located on the right hand side of the firebox behind an access panel and the decorative firebox panel (if installed). The fireplace is operated via a wall switch.

The wall control is connected to the fireplace by a 14-2 AWG wire, not supplied with the fireplace.

## Installation

1. Place the fireplace in the desired location.
2. Remove the window from the fireplace.
3. Remove access panel from right hand side of the firebox (Figure 24).
4. Remove the cover from the electrical box (Figure 25).
5. Run two 110 V. AC switched electrical supplies to the control box and connect to the terminal block installed inside the control box (Figure 26). The fireplace operates on 24V AC supplied by a transformer rated at 110 volts, 60Hz. See wiring diagram on page 29 for correct connections on terminal block.
6. Connect the gas supply to the valve (Figure 27).

ACCESS PANEL

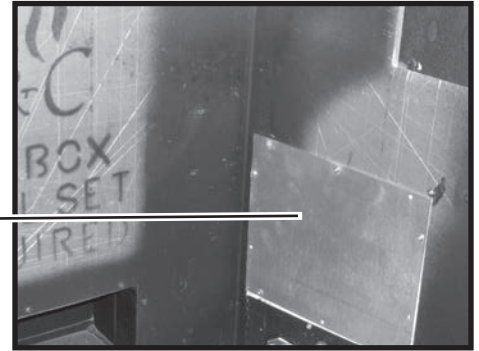


Figure 24: Access panel location.

ELECTRICAL  
BOX COVER

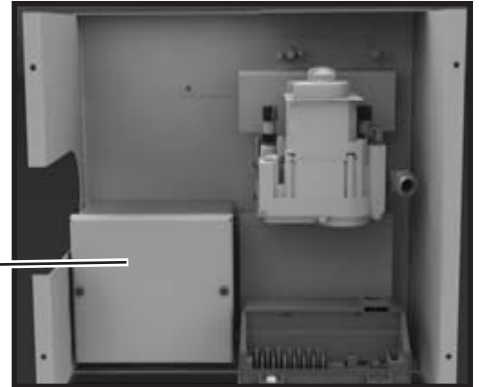


Figure 25: Electrical box cover.

TERMINAL BLOCK,  
ELECTRICAL  
CONNECTIONS

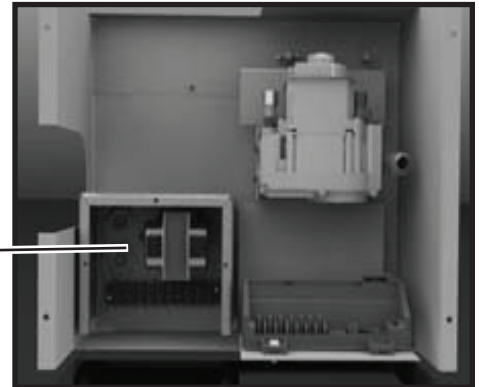


Figure 26: Electrical connections.

GAS INLET

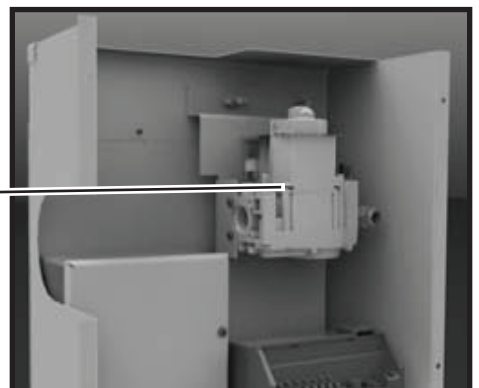


Figure 27: Gas inlet.

# Gas Supply

Caution: The gas line should be installed by a qualified service person in accordance with all building codes. This section is intended as a guide for qualified technicians installing this appliance. Consult local and/or national building codes before proceeding.

- Gas supply line access holes are located at the top and left sides of the Control Box. Gas valve inlet accepts a 3/8" N.P.T. fitting. Correct gas line diameter must be used to assure proper operation and pressure.
- The fireplace has an input rate of 54,900 BTU/HR on both Natural Gas and Propane.
- **NOTE: A sediment trap, as per national fuel gas code, must be installed in the gas supply line no more than 6 feet from the gas control valve to minimize the possibility of any loose scale or dirt within the gas supply line from entering the control valve.**
- **DO NOT HARD PIPE GAS LINE TO VALVE. A method of disconnecting the valve from the gas line such as a union or flare fitting must be provided to allow for repair or replacement of the gas valve.**

Check local codes for additional requirements.

1. Connect the gas supply to the valve (Figure 27).
2. Turn on the gas supply and check that all connections are tight and leak free.

**WARNING: Use EXTREME CAUTION when using soap and water to do a leak test on the valve/ fittings. There are electronics around and below the valve, that can/will be damaged if they come in contact with water.**

**WARNING: The access panel including gasket must be reinstalled after conversion/installation or servicing has been completed. Failure to do so will cause overheating and premature failure of the control system.**

# Gas Pressure Check

Note: To test the gas pressure, turn off the gas supply before removing the plug from the supply pressure test port or manifold pressure test port.

Verify gas pressures with the fireplace lit and on the highest setting.

Please refer to the Burner Installation Manual for gas pressure testing procedure.

<b>Correct gas pressure requirement</b>		
	<b>Natural Gas</b>	<b>Propane</b>
<b>Min. Pressure</b> <small>(For purpose of input adjustment)</small>	<b>5.0" WC</b>	<b>12.5" WC</b>
<b>Max. Pressure</b>	<b>13.9" WC</b>	<b>13.9" WC</b>
<b>Manifold Pressure</b>		
<b>Maximum</b>	<b>3.8" WC</b>	<b>11" WC</b>
<b>Minimum</b>	<b>2.1" WC</b>	<b>5.5" WC</b>

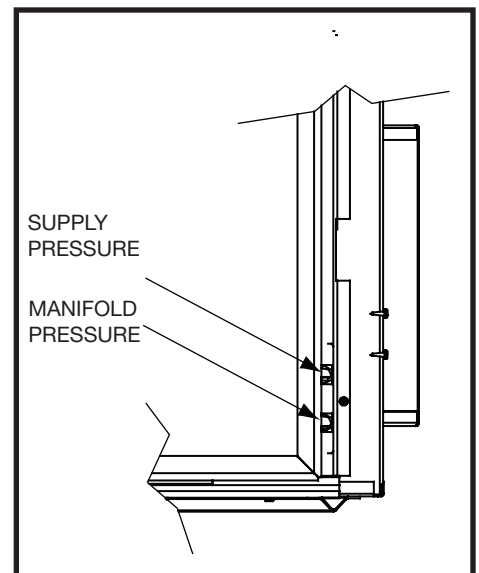


Figure 28: Test ports.

# Venting

Before installing venting for this unit, the installer should read these instructions to insure that the proper vent configuration has been selected. Use only Town and Country Termination kits #:TCVT.RTA - Roof Termination Kit

Vent system components approved for use with the Town and Country Fireplace are shown on page 21.

Various combinations of vent runs may be used. Refer to (Figure 29) for details. For optimum performance and flame appearance, keep the vent length to a minimum and limit the number of elbows. Connections between each vent system component must be tightly joined, secured with sheet metal screws and sealed with high temperature self adhesive tape.

VENT SUPPORTS: A minimum of 1 support every 4' must be used.

**CAUTION: UNDER NO CONDITION SHOULD COMBUSTIBLE MATERIAL BE CLOSER THAN 1 3/4 INCHES FROM ANY PART OF THE VENT PIPE.**

## Roof Termination Venting Chart

Various combinations of vent runs may be used. Refer to (Figure 29) for details. For optimum performance and flame appearance, keep the vent length to a minimum and limit the number of elbows. Connections between each vent system component must be tightly joined, secured with sheet metal screws and sealed.

**CAUTION:**

**Under no condition should combustible material be closer than 1 3/4 inches from any part of the vent pipe.**

**Only 45° elbows can be used in this vent system. Maximum number of elbows is 2.**

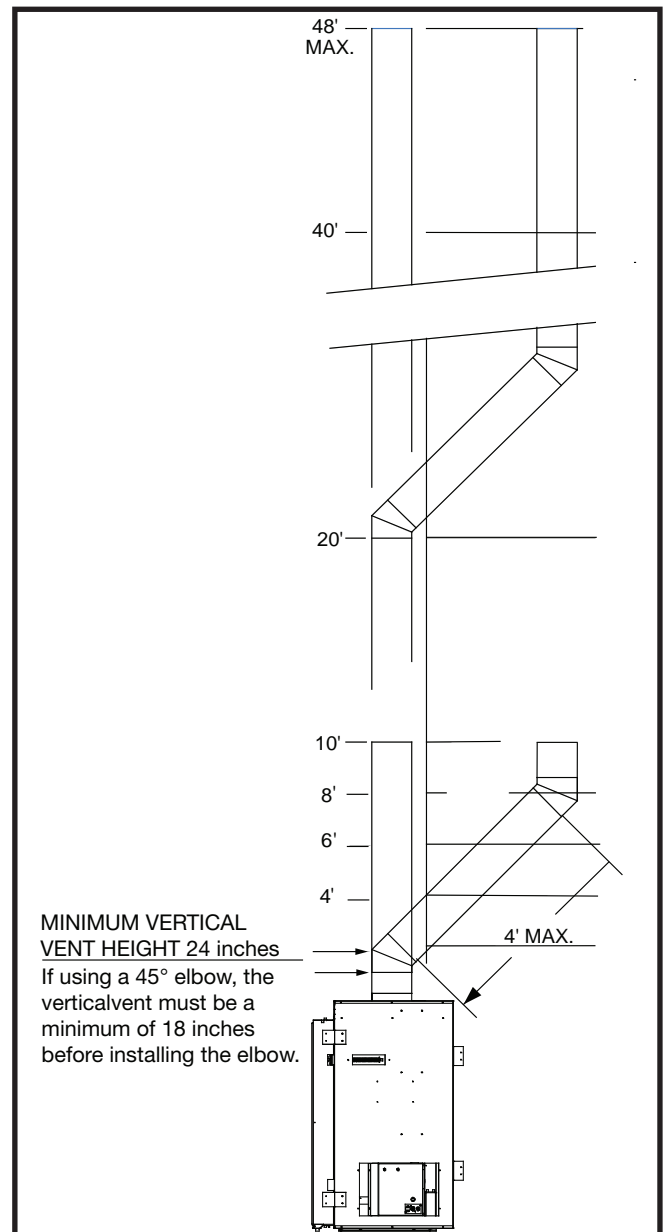


Figure 29: TCWS54CODE Venting chart.

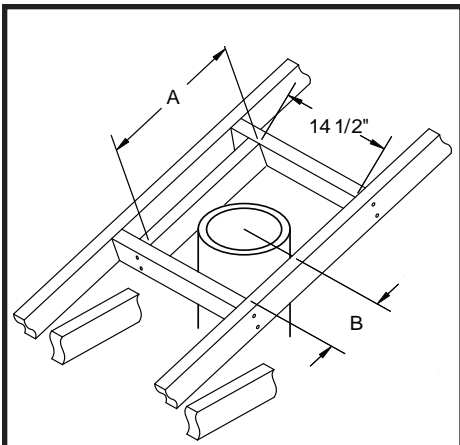


Figure 30: Roof opening frame.

Size of the opening will have to increase with the pitch of the roof to ensure a 1 3/4" inch air space clearance between vent pipe and combustibles.

Roof Pitch	A	B
0/12	14 1/2"	7 1/4"
4/12	16 1/2"	8 3/4"
6/12	18"	10"
8/12	19 3/4"	11"
12/12	24"	13 3/4"

## Ceiling Opening

1. Determine the exact position of the fireplace so that the vent pipe is centered (if possible) between two building framing members. Lay out the vent system path, minimizing the number of elbows and length of vent. Consult your local building codes prior to proceeding.
2. Cut and frame a 14 1/2" opening in the floor, ceiling or roof where the vent system will pass. Size of the opening in the roof may need to be increased as the pitch of the roof increases. Avoid cutting rafters.

## Ceiling Firestop

Where a vent pipe passes through a floor or ceiling, a ceiling firestop (TCVT, THIMA) must be used to retain insulation and maintain proper clearances.

From below, push the ceiling firestop through the opening and secure in place. If the firestop is used to penetrate a floor, the outer shield may be trimmed in length. If the firestop penetrates into an attic, leave the shield full length to keep insulation away from the vent pipe. Additionally, after the vent pipe is in place, install a storm collar on top of the shield. This will prevent loose insulation from falling into the area between the vent pipe and the shield.

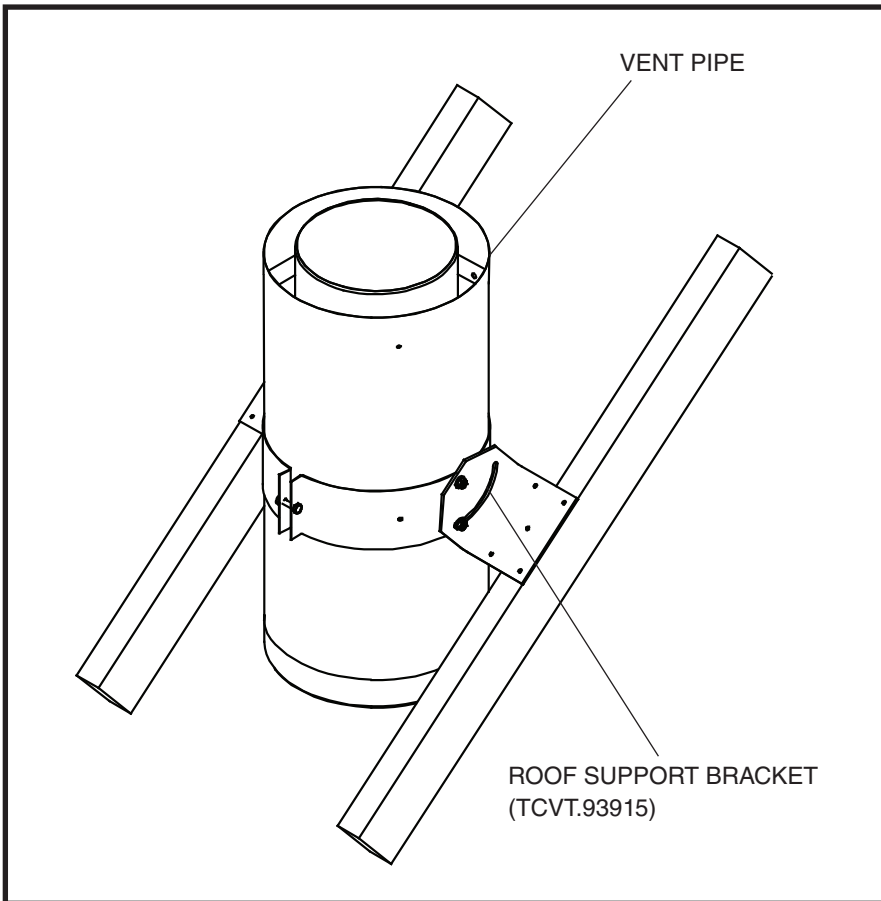


Figure 31: Roof support bracket.

## Vent Pipe

1. Install the first section of vent pipe into the collar on top of the fireplace. Secure in place with screws and seal with approved "High Temperature" self-adhesive aluminium tape provided.
2. Continue adding vent pipe lengths up and through the firestop(s) and through the roof. The vent pipe must extend above the roof according to the sloped roof pitch table on page 21.

Seal the vent pipe as per "Vent Pipe Sealant" section.

## Roof Support Bracket

Slip the roof support bracket down over the vent pipe. Rotate the 90° brackets to accommodate roof pitch. Attach the brackets to the roof joists with nails or building screws. Tighten the band around the vent pipe and secure in place with screws.

## Roof Vent Terminal

1. Place the roof flashing over the vent pipe, secure and seal it to the roof using the methods and materials appropriate for the type of roof on the building. Shingle roof example shown (Figure 32).
2. Place the storm collar down over the vent pipe until it is level. Tighten storm collar for a snug fit. Apply a thick horizontal ring of mastic around the pipe at top of the storm collar (Figure 32).
3. Lower the roof vent terminal cap over the vent pipe and secure in place with screws provided (Figure 32). Seal screw heads and joints with caulking to prevent any moisture entering the venting system.

### Note:

Adjustable for various roof pitches, from flat roof to 12/12 pitch roof.

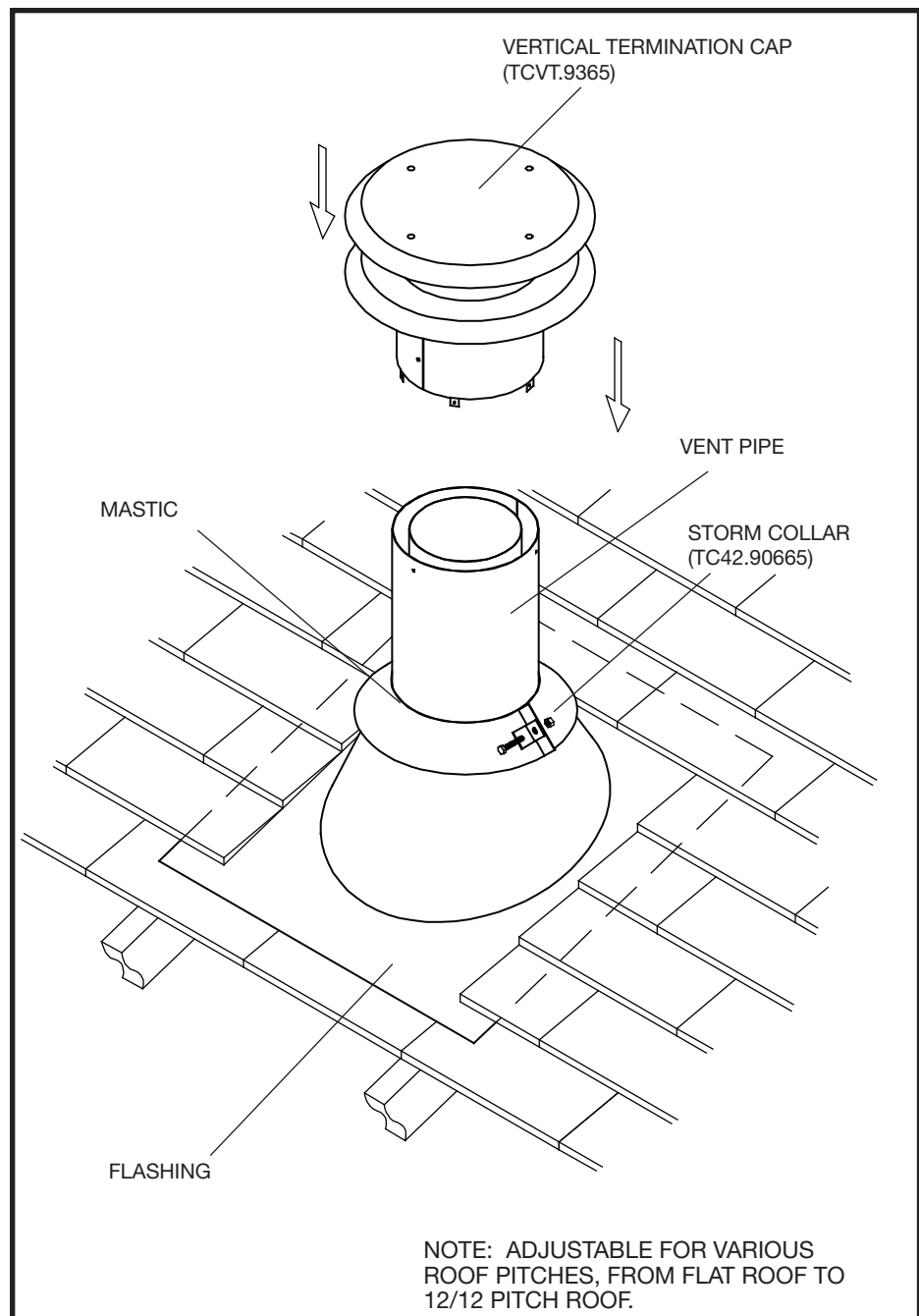


Figure 32: Roof vent terminal.



# Vent Terminal Clearance

Minimum clearances to the vent terminal must be maintained as shown in (Figure 33). Measure clearances to the nearest edge of termination hood.

**NOTE: Vent terminal must not be recessed**  
**NOTE: LOCAL CODES OR REGULATIONS MAY REQUIRE DIFFERENT CLEARANCES.**

Terminal to Sloped Roof Pitch Table	(minimum)	
	ft	m
Flat to 6/12	1.00	0.30
Over 6/12 to 7/12	1.25	0.38
Over 7/12 to 8/12	1.50	0.46
Over 8/12 to 9/12	2.00	0.61
Over 9/12 to 10/12	2.50	0.76
Over 10/12 to 11/12	3.25	0.99
Over 11/12 to 12/12	4.00	1.22

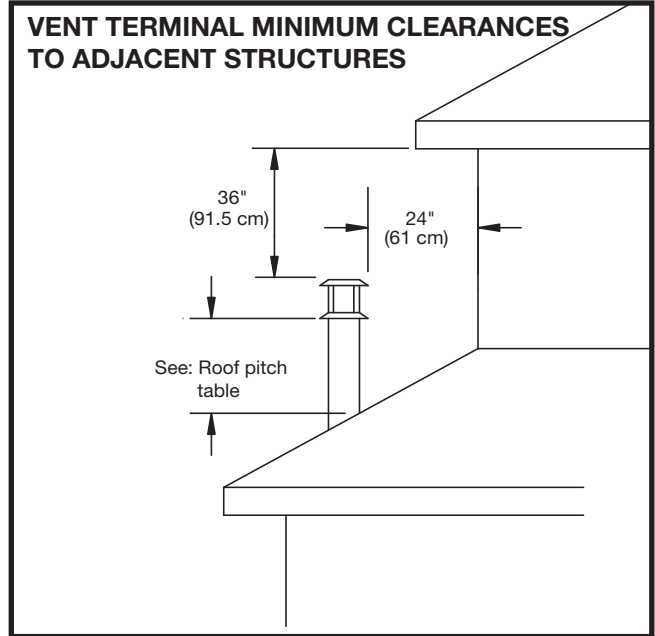


Figure 33: Roof terminal clearances.

Vent System Components	Town & Country
12" Pipe Length.....	TCVT.811X12
18" Pipe Length.....	TCVT.811X18
24" Pipe Length.....	TCVT.811X24
48" Pipe Length.....	TCVT.811X48
12" Adjustable Pipe Length.....	TCVT.811X12ADJ
45° Elbow .....	TCVT.811XLB45
Wall/Offset Support.....	TCVT.811XOS
*A minimum of 1 support every 4' must be used.*	
Roof Termination Kit.....	TCVT.RTA
Wall Shield/Ceiling Firestop.....	TCVT.THIMA
Roof Flashing, Adjustable .....	TCVT.811FLADJ
Roof Flashing, Flat .....	TCVT.811FLFLT
Roof Flashing, Steep .....	TCVT.811FLSTP
	or any flashing that fits 11" pipe

## Vent Pipe Sealant

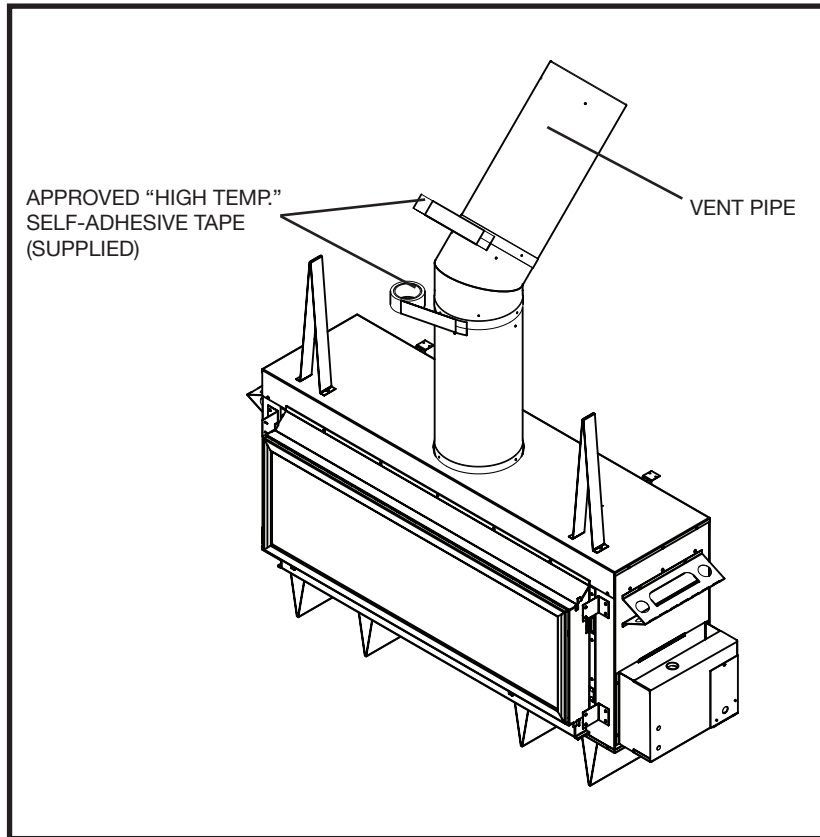


Figure 34: Sealing the vent with tape.

All outer joints of the vent pipe must be sealed with the approved "High Temperature" self-adhesive aluminium tape provided. Wrap the tape completely around the joint and press firmly in place. Inner pipe does not need to be sealed.

# Vent Restrictor Adjustment

The vent restrictor is located on the underside of the firebox top. The unit leaves the factory with the vent restrictor open. The restrictor is built into the appliance for secondary air flow adjustment. Adjustment enables tuning the airflow for optimum flame appearance and performance for a wide variety of vent configurations.

Setting:

- Determine the vent height.
- Determine the vent horizontal length.
- From the chart determine the restrictor position.

Refer to the chart (Figure 35) for the correct position of restrictor for the vent configuration of your installation. Restrictor positions are based upon lab tests. The ideal position may vary slightly with installation.

Restrictor position is too closed if the flame has the following characteristics:

- Flame is excessively tall and lifting.
- Flame lacks movement.
- Flame soots.

Restrictor position is too open if the flame has the following characteristics:

- Flame height is low.
- Flame has excessive movement.

To adjust the restrictor:

- Loosen the screw holding the restrictor.
- Move the restrictor to its intended opening.
- Re-tighten the screw.

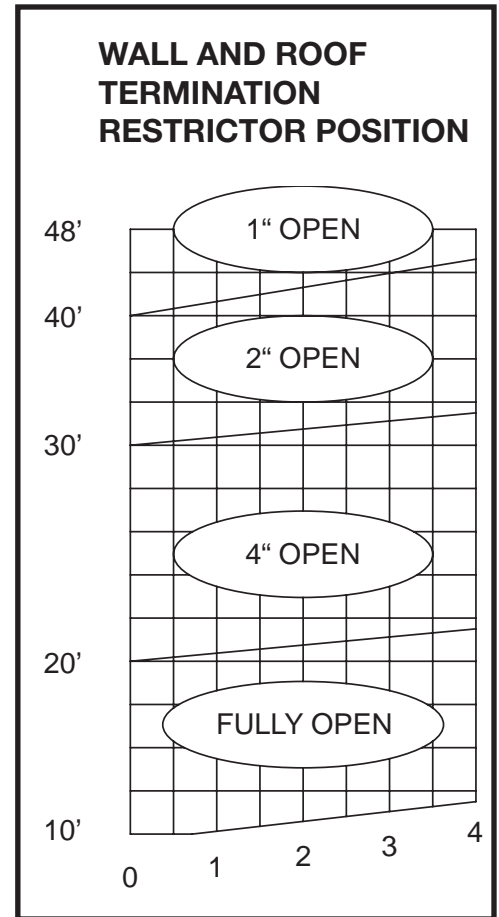


Figure 35: Restrictor position chart.

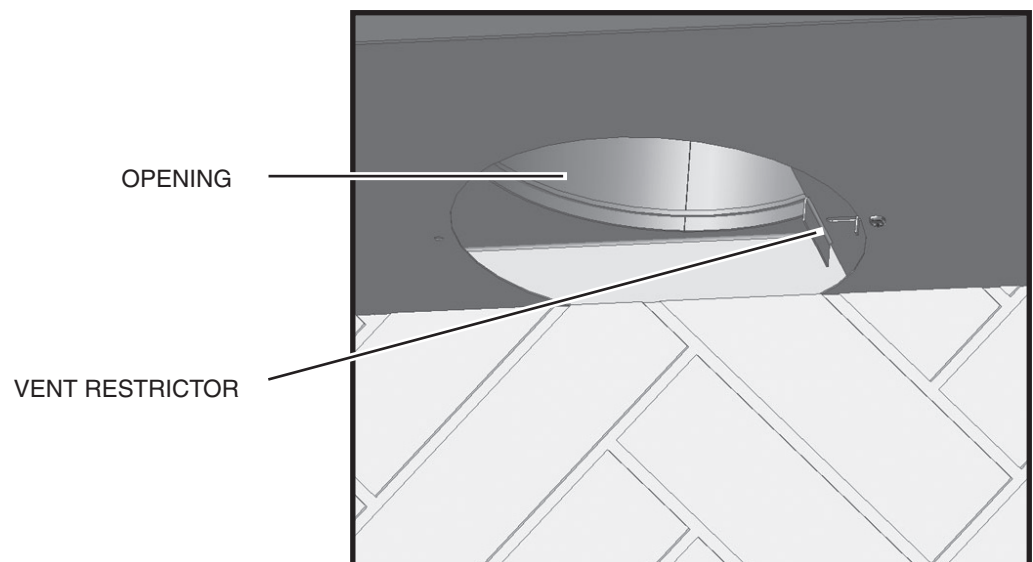


Figure 36: Vent restrictor.

# Firebox Panels Installation

1. Remove the 2 inner screws from the upper heat shield (Figure 37).
2. Slip the top porcelain panel into the lip at the front of the firebox and tip the panel up to align with the screw holes. Secure with the previously removed screws (Figure 38).

Insert the back panel into the firebox by tilting the panel and rest the panel on the seat tabs at the back of the firebox (Figure 39).

3. While supporting the back panel insert the left side panel into the firebox. Position the top of the panel against the side of the unit, inserting the top panel tab into the slot at the top of the side panel and slide the bottom into position (Figure 40).

**NOTE: Seat tabs can be lowered if the rear panel is tight.**

**NOTE: Centering tabs on the panel should be located at the outside of the seat tabs.**

**NOTE: Notch at bottom of side panel faces to front of unit.**

4. Repeat step 4 for the other side panel.

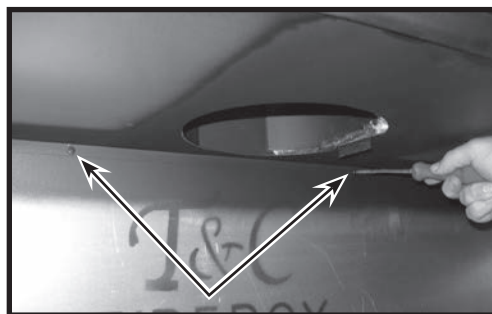


Figure 37: 2 Inner screws location.



Figure 38: Securing top porcelain panel.

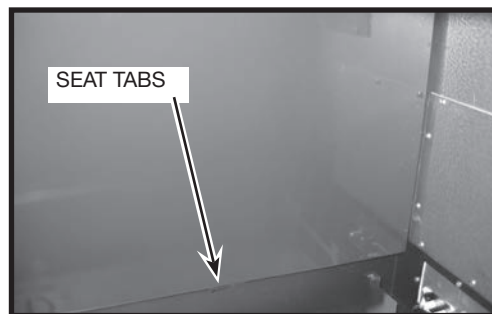


Figure 39: Rear panel seat tab location.

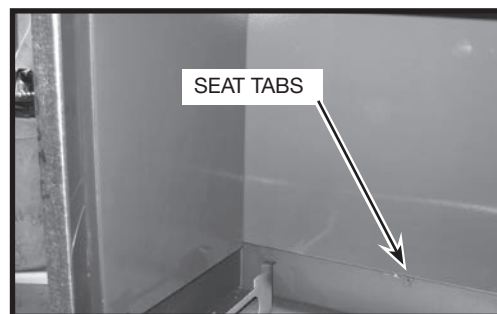


Figure 40: Seat tab.

5. Place the front panel on the front lip of the firebox, wide flange facing the front (Figure 41) (Proceed to step #7 if you are installing a TCWS.54NG03.C2 Black Diamond burner with this unit.)

**NOTE: Install burner now.**

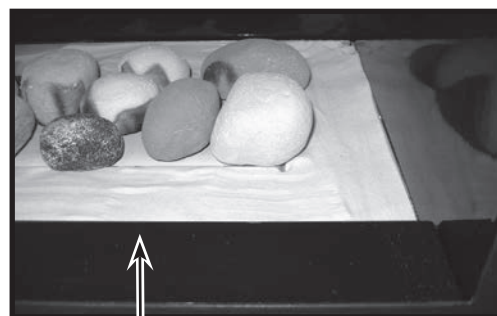


Figure 41: Front panel location.

6. Place the other front panel piece at the rear of the firebox with the wide flange facing to the rear against the back panel.

# Lighting Instructions

## FOR YOUR SAFETY READ BEFORE LIGHTING

**WARNING:** If you do not follow these instructions exactly, a fire or explosion may result causing property damage, personal injury or loss of life.

- A. This appliance is equipped with an ignition device which automatically lights the pilot. Do not try to light the pilot by hand.  
B. **BEFORE LIGHTING** smell all around the appliance area for gas. Be sure to smell next to the floor because some gas is heavier than air and will settle on the floor.  
**WHAT TO DO IF YOU SMELL GAS:**  
- Do not try to light any appliance.

- Do not touch any electric switch; do not use any phone in your building.
  - Immediately call your gas supplier from a neighbour's phone. Follow the gas supplier's instructions.
  - If you cannot reach your gas supplier, call the fire department.
- C. Use only your hand to push in or turn the gas control knob. Never use tools. If the knob will not push in or turn by hand, don't try to repair it, call a qualified service technician. Force or attempted repair may result in a fire or explosion.
- D. Do not use this appliance if any part has been under water. Immediately call a qualified service technician to inspect the appliance & to replace any part of the control system & any gas control which has been under water.

## LIGHTING INSTRUCTIONS

1. **STOP!** Read the safety information above on this label.
2. Set wall switch/ hand held remote to lowest setting.
3. This appliance is equipped with an ignition device which automatically lights the pilot. Do not try to light the pilot by hand.
4. Push the "On/ Off" switch to the fireplace Off.
5. Allow sufficient length of time (minimum 5 minutes) for any gas in the combustion chamber to escape. If you still smell gas, **STOP!** Follow "B" in the safety information above on this label. If you don't smell gas, go to the next step.
6. Push the "On/ Off" switch to turn the fireplace on.
  - If the burner does not light, repeat steps 4 through 6.
  - If the burner will not light or stay lit after several tries, push the "On/ Off" switch to the fireplace off and call your service technician or gas supplier.

Note: Sufficient time must be allowed for air to escape from lines if the unit is being lit for the first time.
7. Set fireplace to desired setting by using either the wall switch or hand held remote.

## TO TURN OFF GAS TO APPLIANCE

1. Set wall switch / hand held remote to lowest setting.
2. Push the "on/ off" switch to the "Off" position.
3. Turn off all electric power to the appliance and remove backup batteries if service is to be performed or for extended shutdown.

Due to high surface temperatures, keep children, clothing and furniture away. Keep burner and control compartment clean. See installation and operating instructions accompanying the appliance.  
A cause de la température élevée des parois, tenir éloignés les enfants, les vêtements et les meubles. Maintenir propres le brûleur et le compartiment de commande. Voir les instructions relatives à l'installation et au fonctionnement qui accompagnent l'appareil.

**CAUTION:** Hot while in operation. Do not touch. Severe burns may result. Keep children, clothing, furniture, gasoline and other liquids having flammable vapours away. Keep burner and control compartment clean. See installation and operating instructions accompanying the appliance.

**ATTENTION:** L'appareil est chaud lorsqu'il fonctionne. Ne pas toucher l'appareil. Risque de brûlures graves. Surveiller les enfants. Garder les vêtements, le meubles, l'essence ou autres liquides produisant des vapeurs inflammables loin de l'appareil. S'assurer que le brûleur et le compartiment des commandes sont propres. Voir les instructions d'installation et d'utilisation qui accompagnent l'appareil.

310106

5051.173

5-TC30

## First Fire

When lit for the first time, the fireplace will emit a slight odour for a couple of hours. This is due to the curing of paints, sealants and lubricants used in the manufacturing process. This condition is temporary. Open doors and windows to ventilate area. Odour caused by the curing process may cause discomfort to some individuals.

It is normal for fireplaces fabricated of steel to give off some expansion and/or contraction noises during the start up or cool down cycle. Similar noises are found with your furnace, heat exchanger or cook stove oven.

# Maintenance

## CAUTION:

Turn off gas and electrical power supply (if applicable) and allow ample time for unit to cool before servicing appliance. It is recommended that the fireplace and its venting should be inspected at least once a year by a qualified service person.

## Glass Panel:

**Warning: Do not operate fireplace with glass panel removed, cracked or broken. Replacement of the glass panel should be done by a licensed or qualified service person.**

Do not strike or otherwise impact the glass in anyway that may cause it to break. If the glass becomes cracked or broken it must be replaced before using the fireplace. Replacement glass can be obtained from your nearest Town & Country Fireplaces dealer. The size required is 52" x 16" x 5mm. Use ceramic glass only. Do not substitute with any other type.

To remove broken glass, remove window frame as noted in "Window Frame Removal" section.

Unclip the Glass Retainer Clips located at the top and sides of the Window Frame. Pull the top edge of the glass out of the frame first, then lift it up and out of the bottom edge.

Install the new piece of glass with the gasket into the frame so that the thicker bead of gasket faces the fireplace.

Re-install glass retaining clips.

## Annual Inspection:

- a) Remove glass panel and pebble assemblies. Inspect pebble and burner assemblies for soot buildup. If excessive buildup of soot is present, have a qualified service person inspect and adjust unit for proper combustion. Clean logs and burner with a brush or vacuum cleaner, paying close attention to burner ports.
- b) Check the pilot system for proper flame size and operation. Clean pilot free of soot, dust or any other deposits.
- c) Check that the vent pipe and vent terminal are open and free from blockage or debris. If the venting is disassembled for cleaning, it must be properly assembled and re-sealed. Refer to VENTING section for proper procedure.
- d) Check glass panel gasket, replace if necessary. It is important that the glass seal be maintained in good condition.
- e) Check and replace batteries as needed.

Note: The appliance area must be kept clear and free from combustible materials, gasoline and other flammable vapours and liquids.

## Periodically:

- a) Viewing glass may be cleaned as necessary with fireplace glass cleaner.
- b) Exterior finish may be cleaned with mild soap and water.

## CAUTION:

Do not use abrasive cleaners on glass or any other part of the fireplace.

Do not clean glass when hot.

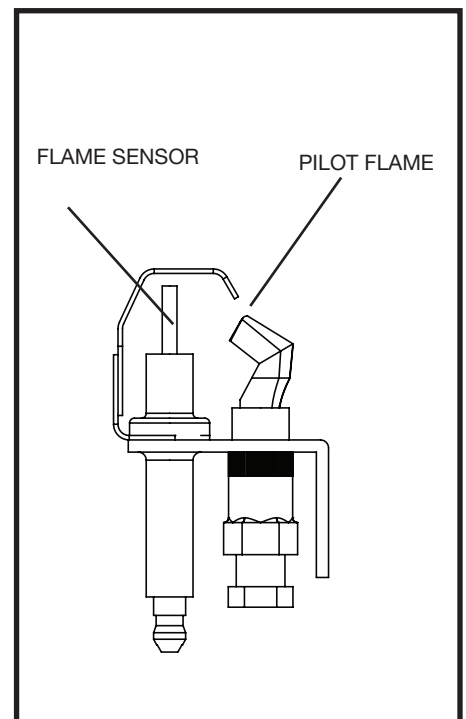


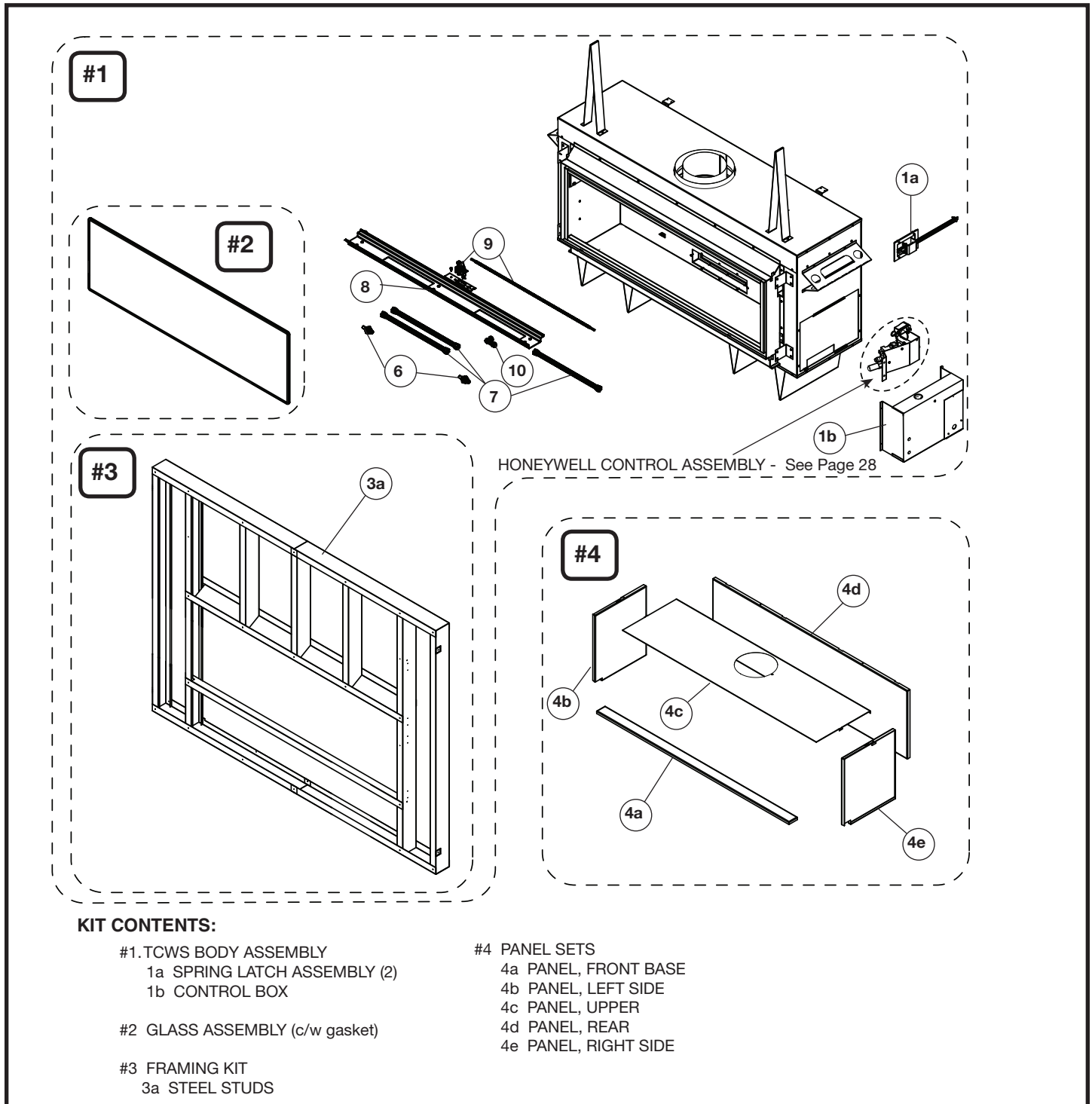
Figure 42: Honeywell pilot.



# TCWS.54CODE Replacement Parts

(WHEN ORDERING, INCLUDE PART NUMBER WITH DESCRIPTION)

ITEM	DESCRIPTION	PART NO.	ITEM	DESCRIPTION	PART NO.
#1	TCWS BODY ASSEMBLY .....	TCWS.54CODE	#6	ORIFICE (2pcs).....	5022.87
#2	GLASS ASSEMBLY (c/w gasket)....	GLAS.2062ASSY	#7	MAIN GAS SUPPLY TUBES (3pcs) .....	5019.223
#3	FRAMING KIT .....	TCWS.54FRKIT	#8	BURNER SUPPORT .....	9498
#4	PANEL SETS		#9	PILOT ASSEMBLY .....	TCCV.WS54ODPILOT
	BLACK PORCELAIN.....	TCPN.775.C	#10	1/2" TEE .....	5019.013
	BROWN PORCELAIN.....	TCPN.775CB.C			
	COPPER PORCELAIN.....	TCPN.775CU.C			
	TITANIUM PORCELAIN .....	TCPN.775TI.C		*NOT SHOWN	



**KIT CONTENTS:**

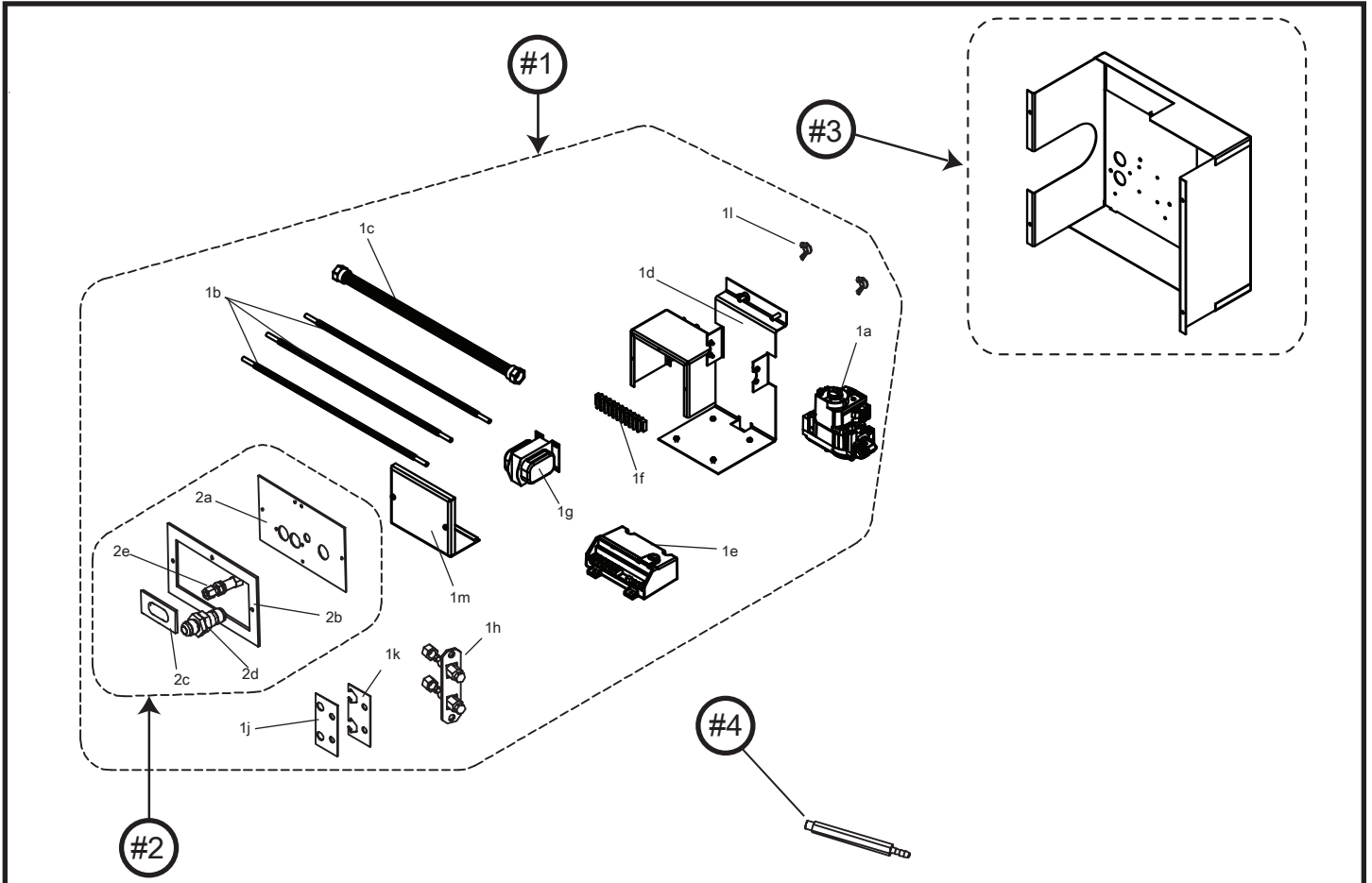
- #1. TCWS BODY ASSEMBLY
  - 1a SPRING LATCH ASSEMBLY (2)
  - 1b CONTROL BOX
- #2 GLASS ASSEMBLY (c/w gasket)
- #3 FRAMING KIT
  - 3a STEEL STUDS

- #4 PANEL SETS
  - 4a PANEL, FRONT BASE
  - 4b PANEL, LEFT SIDE
  - 4c PANEL, UPPER
  - 4d PANEL, REAR
  - 4e PANEL, RIGHT SIDE

# Honeywell Control System Replacement Parts

(WHEN ORDERING, INCLUDE PART NUMBER WITH DESCRIPTION)

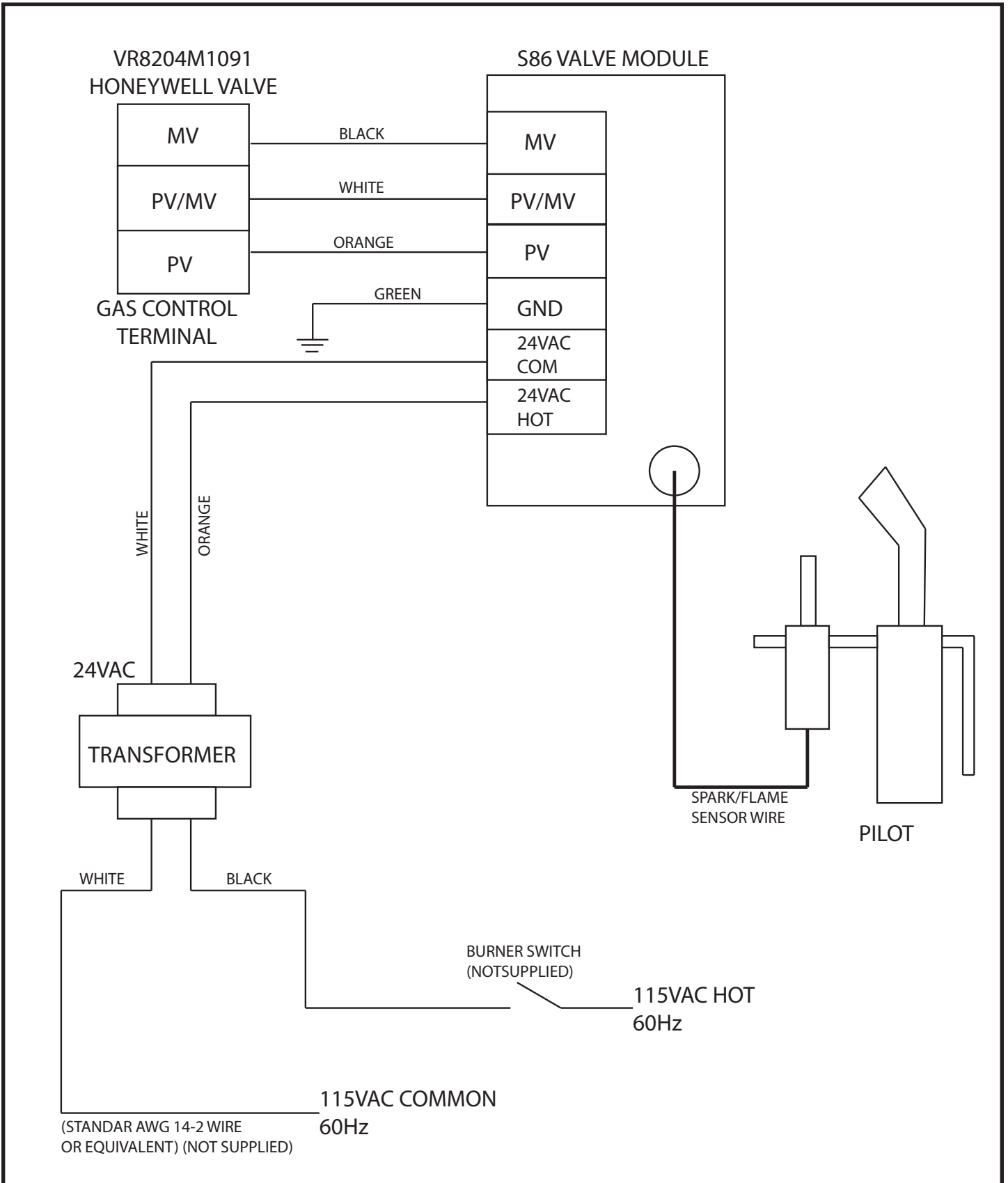
ITEM	DESCRIPTION	PART NO.
#1	CONTROL ASSEMBLY KIT .....	TCRP.9000
#2	BULKHEAD ASSEMBLY KIT .....	TCRP.8133
#3	CONTROL BOX KIT.....	TCRP.92762WLD
#4	TEST FITTING .....	5019.104



**KIT CONTENTS:**

- |                                |  |
|--------------------------------|--|
| #1 CONTROL ASSEMBLY KIT        |  |
| 1A VALVE C/W FITTINGS          |  |
| 1B 1/4" FLEX TUBE              |  |
| 1C 1/2" FLEX TUBE              |  |
| 1D CONTROL MOUNTING BRACKET    |  |
| 1E IGNITION MODULE             |  |
| 1F ELECTRICAL TERMINAL BLOCK   |  |
| 1G ELECTRICAL TRANSFORMER      |  |
| 1H PRESSURE TEST ASSEMBLY      |  |
| 1J TC36ST PRESSURE TEST PLATE  |  |
| 1K TC36ST LOCKING PLATE        |  |
| 1L WING NUTS (2)               |  |
| 1M TRANSFORMER BOX COVER PLATE |  |
| REMOTE RECEIVER (NOT SHOWN)    |  |
| #2 BULKHEAD ASSEMBLY KIT       |  |
| 2A INLET PLATE                 |  |
| 2B INLET PLATE GASKET          |  |
| 2C ELEC BULKHEAD GASKET        |  |
| 2D 1/2" BULKHEAD FITTING       |  |
| 2E 1/4" BULKHEAD FITTING       |  |
| #3 CONTROL BOX KIT             |  |
| #4 TEST FITTING                |  |

# Wiring Diagram



# Roof Termination Kit

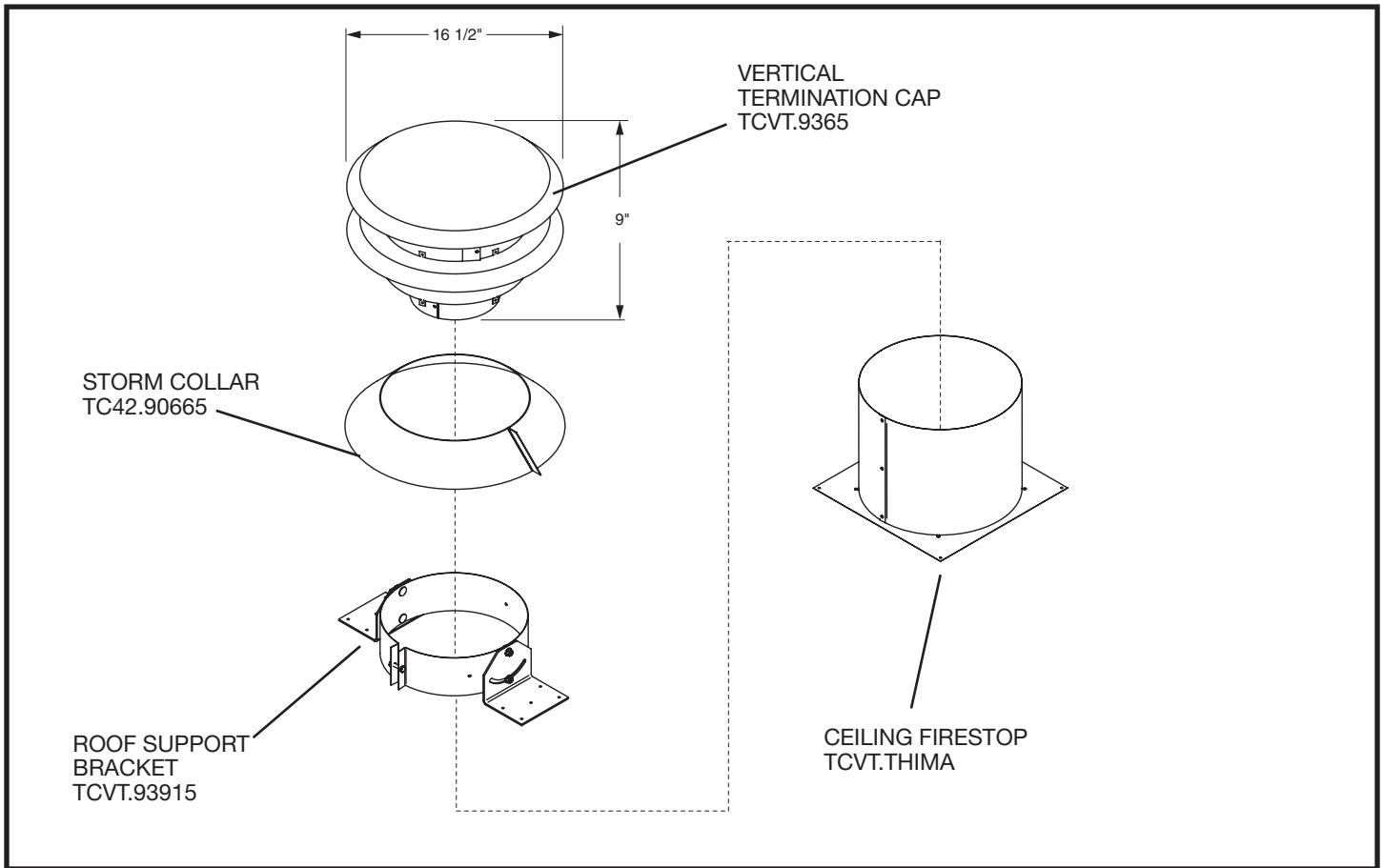


Figure 43: Vent terminal kit.

# Vent Pipe Dimensions

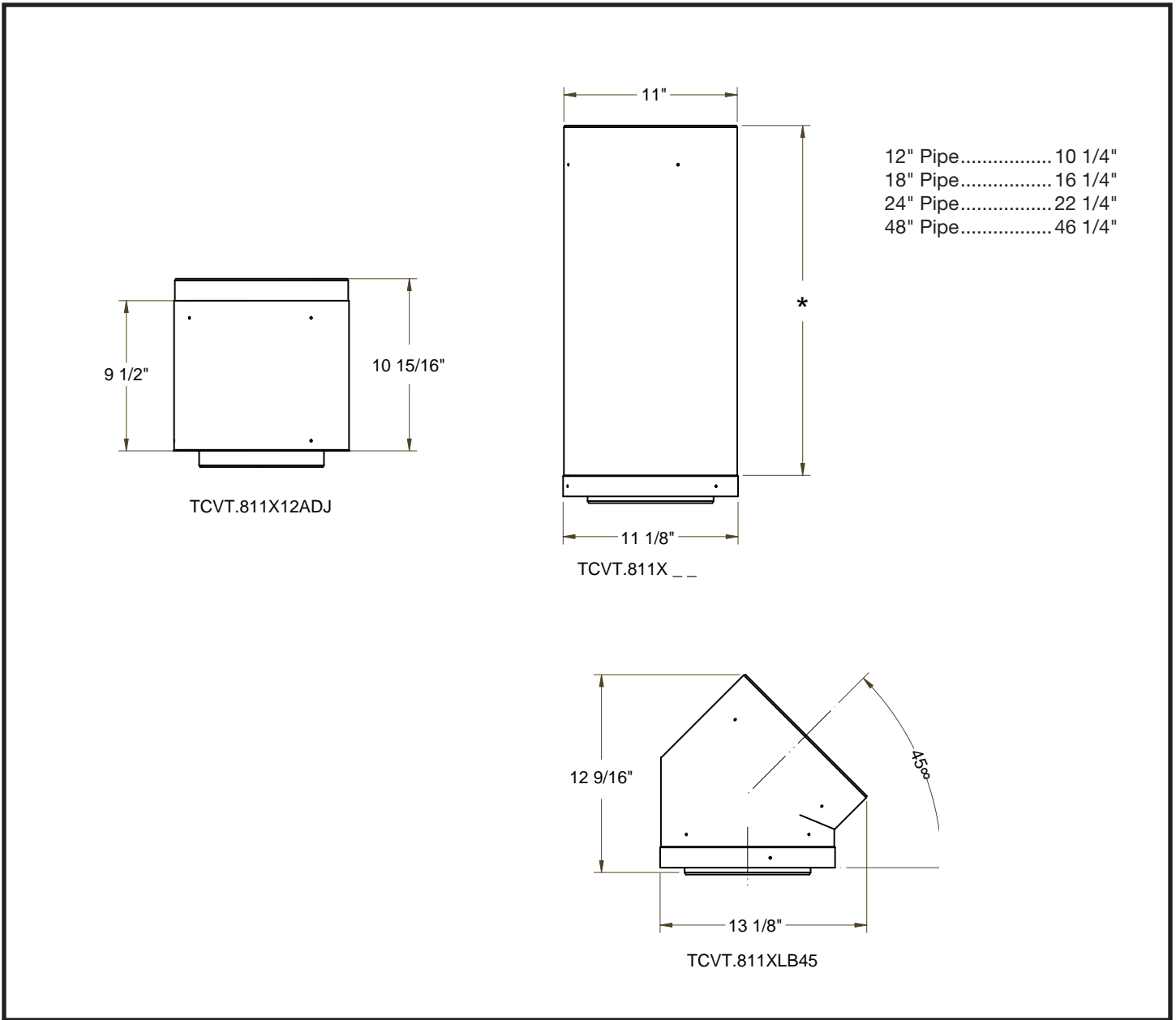


Figure 44: Pipe dimensions.

# Vent Offset Chart

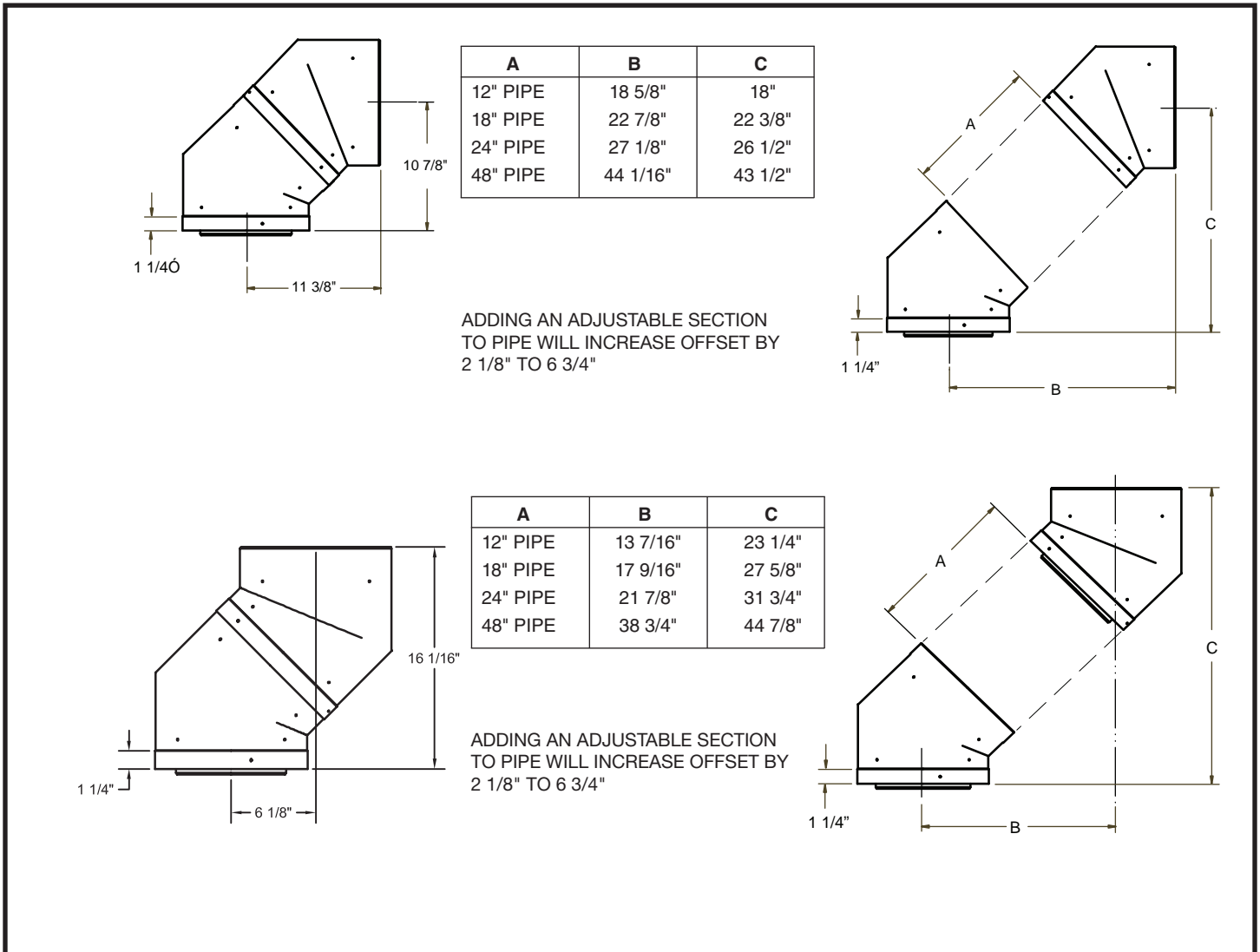


Figure 45: Vent offset chart.



## Quick Panel Removal for Valve Service

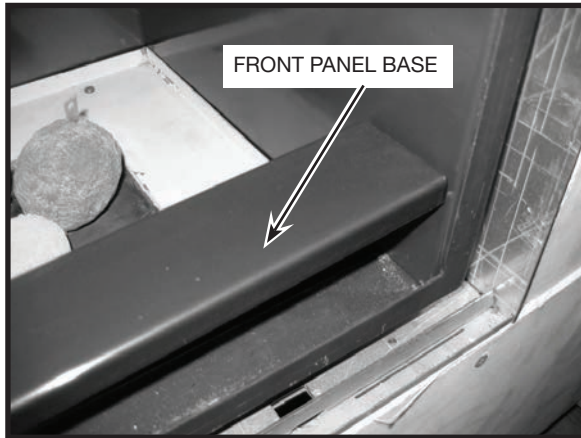


Figure 46: Front panel base.

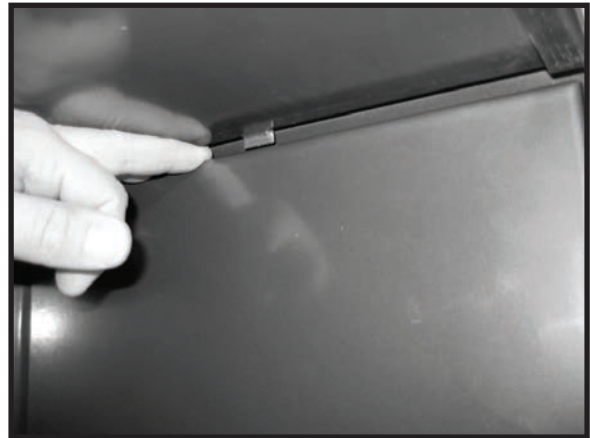


Figure 47: Clearing the securing tab.



Figure 48: Right panel.

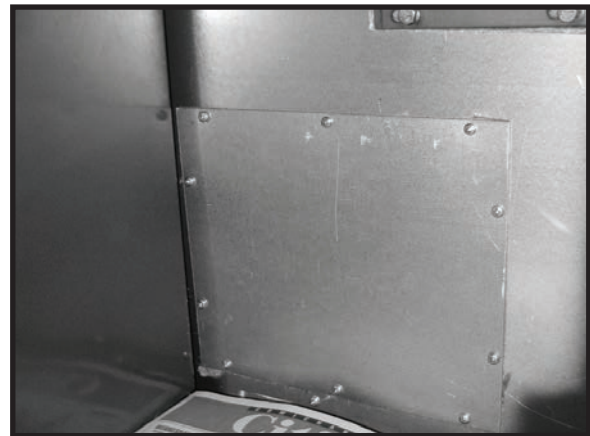


Figure 49: Access panel.

1. Remove front panel base. Also remove rear panel base if Black Diamond Burner is fitted (Figure 46).
2. Push up on the heat shield, at the right end of the unit near the middle, enough to clear the securing tab (Figure 47).
3. Pull the top of the right panel toward the center of the unit using caution not to scratch the back panel (Figure 48).
4. Once the right panel is tilted inwards it can be lifted clear of the burner tray and removed.

NOTE: The right hand side rock cluster may need to be removed to prevent damage while working through the access hole. Covering the sand with paper or cardboard will also minimize disturbance during the servicing process.

5. The access panel is now visible (Figure 49) and can be removed.
6. Reassemble in reverse order.

**WARNING: The control box shield, access panel and gasket must be replaced. Failure to do so will overheat and cause premature failure of the control.**

# Rating Label Location

NOTE: The Safety Label is located on a plate found in a slot between the left hand side lintel and the left hand side window frame. This plate is attached to the side casing with a cable.



TOWN & COUNTRY  
FIREPLACES™

MODEL/  
MODELE:  
**TCWS54.CODE**

SERIES/  
SERIE: **C3**

MADE IN CANADA  
FABRIQUE AU CANADA

**VENTED OUTDOOR GAS FIREPLACE - NOT FOR USE WITH  
SOLID FUEL, FOYER AU GAZ À ÉVACUATION - NE PAS  
UTILISER AVEC DU COMBUSTIBLE SOLIDE**

ANSI Z21.97-2012 Outdoor Decorative Gas Fireplaces  
CSA 2.41-2012 Outdoor Gas Fireplaces  
Certified for / Certifié pour Canada and U.S.A.

704

This Appliance is Equipped For Use With / Cet Appareil est Équipé Pour Utiliser Avec :		
NATURAL GAS GAZ NATUREL	■	LP-GAS LP GAZ
<b>FOR USE WITH/ EN CASE D'EMPLOI AVEC:</b>	<b>NATURAL GAS/ DU GAZ NATUREL</b>	<b>LP GAS/ DU GAZ LP</b>
Minimum supply pressure / Pression minimum d'alimentation: (For the purpose of input adjustment / dans le but de régler l'alimentation)	5.0 in/wc / 5.0 po/c.e. (1.25 kPa)	12.5 in/wc / 12.5 po/c.e. (3.11 kPa)
Maximum supply pressure / Pression maximum d'alimentation:	13.9 in/wc / 13.9 po/c.e. (3.45 kPa)	13.9 in/wc / 13.9 po/c.e. (3.45 kPa)
Manifold pressure / Pression de la tuyauterie: Maximum	3.8 in/wc / 3.8 po/c.e. (.95 kPa)	11.0 in/wc / 11.0 po/c.e. (2.74 kPa)
Orifice Size / Diametre de l'injecteur:	7/64 (2.78 mm)	1.65 mm
Input BTU/hr (kW) / Entree BTU/h (kW):	Max.: 54,900 (16.1) Min.: 46,200 (13.5)	Max.: 54,900 (16.1) Min.: 46,200 (13.5)

## FOR OUTDOOR USE ONLY / POUR USAGE EXTÉRIEUR SEULEMENT

Electrical rating: 115v, 60hz, 1.5 A / Note électrique: 115v, 60hz, 1.5 A. This appliance equipped for altitudes 0 - 4500 ft. (0 - 1372 m) / Cet unité est conçu pour des altitudes variant entre 0 - 4500 pieds (0 - 1372 m). This appliance must be installed in accordance with local codes, if any; if none, follow the current CAN/CGA-B149 (Canada), or ANSI Z223.1 (USA) Installation Codes. Installer l'appareil selon les codes ou règlements locaux, ou, en l'absence de tels règlements, selon les codes d'installation CAN/CGA-B149 (Canada), or ANSI Z223.1 (USA) en vigueur. The appliance, when installed, must be electrically grounded in accordance with local codes or, in the absence of local codes, with the Canadian Electrical Code, CSA C22.1 or with the National Electrical Code, ANSI/NFPA 70. L'appareil, une fois installé, doit être connecté électriquement à la terre conformément aux codes locaux ou, en l'absence de codes locaux, avec le Code canadien de l'électricité, CSAC22.1 ou avec le National Electrical Code, ANSI/NFPA70.

WARNING: Do not store or use gasoline or other flammable vapors or liquids in the vicinity of this or any other appliance. An LP cylinder not connected for use shall not be stored in the vicinity of this or any other appliance.  
AVERTISSEMENT : Ne stockez pas ou utilisez l'essence ou d'autres vapeurs inflammables ou des liquides aux alentours de ceci ou un autre appareil. Un cylindre LP non connecté pour l'utilisation ne sera pas stocké aux alentours de ceci ou un autre appareil.

FOR USE WITH GLASS DOORS CERTIFIED WITH THE APPLIANCE ONLY / POUR UTILISATION UNIQUEMENT AVEC LES PORTES IN VERRE CERTIFIÉES AVEC L'APPAREIL

**MINIMUM CLEARANCES TO COMBUSTIBLES / CLAIRANCES MINIMALES AVEC LES COMBUSTIBLE**  
Left and Right side are determined when facing the front of the appliance. / Les côtés droit et gauche se déterminent en se mettant devant l'appareil et en lui faisant face.

Top, Back and Side Standoffs / Sommet, Arrière et Côté Butée	0 in./ 0 po.	(0 mm)
Sidewall to Appliance / Du mur latéral a l'appareil	4 in./ 4 po.	(102 mm)
Mantel to Appliance / Du manteau al'appareil	*9 in./ 9 po.	(229 mm)
Maximum Mantel Extension / Allongement maximum du manteau	*12 in./ 12 po.	(305 mm)
*See Installation Manual for more detail / Voyez des Directive de l'Installation pour plus détails.		
Mantel Supports / Supports du manteau	2 in./ 2 po.	(51 mm)
Vent Pipe / Déchargez le Tuyau	1.75 in./ 1.75 po.	(45 mm)

WARNING: Improper installation, adjustment, alteration, service or maintenance can cause injury or property damage. Refer to the owner's information manual provided with this appliance. For assistance or additional information, consult a qualified installer, service agency or the gas supplier.  
AVERTISSEMENT: Une installation, un réglage, une modification, une réparation ou un entretien mal effectué peut causer des dommages matériels ou des blessures. Voir la notice de l'utilisateur qui accompagne l'appareil. Pour de l'aide ou des renseignements supplémentaires, consultez un installateur, un technicien agréé ou le fournisseur de gaz.

032614

5050.7225-A

1-TCWS.54CODE

Pacific Energy  
Fireplace Products Ltd.  
Duncan, British Columbia,  
Canada

Jan.	Feb.	Mar.	Apr.	May	June
July	Aug.	Sept.	Oct.	Nov.	Dec.
2013	2014	2015	2016	2017	2018



© 2017 Copyright Pacific Energy Fireplace Products LTD

Reproduction, adaptation, or translation  
without prior written permission is prohibited,  
except as allowed under the copyright laws.



**For Technical Support, please contact your retailer.**

**[www.townandcountryfireplaces.net](http://www.townandcountryfireplaces.net)  
2975 Allenby Rd., Duncan, BC V9L 6V8**