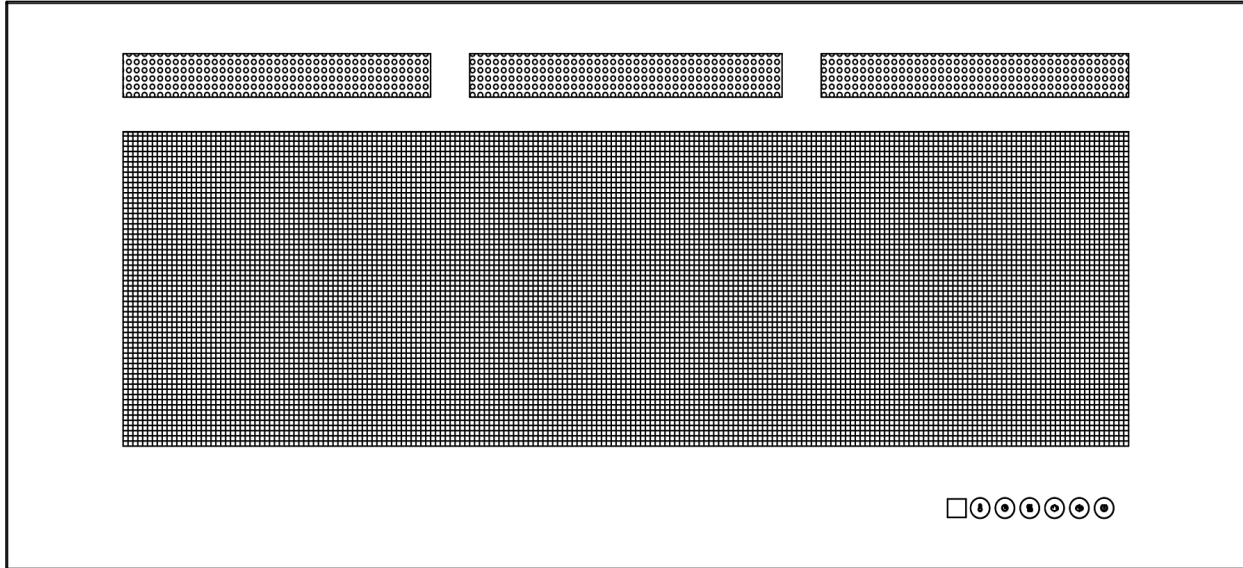




# INSTALLATION AND OPERATION MANUAL

## Allure™ Phantom Series (NEFL50FH-MT Illustrated)



### SAFETY INFORMATION

#### **WARNING**

#### **FIRE OR EXPLOSION HAZARD**

If the information in these instructions are not followed exactly, a fire or explosion may result causing property damage, personal injury, or loss of life.

- Do not store or use gasoline or other flammable vapors and liquids in the vicinity of this or any other appliance.

#### **INSTALLER:**

Leave this manual with the appliance

#### **CONSUMER:**

Retain this manual for future reference



**This appliance has a remote that requires button batteries that are hazardous to young children.**

### FOR INDOOR USE ONLY

**CERTIFIED TO THE CANADIAN AND AMERICAN NATIONAL STANDARDS:  
CSA 22.2 NO. 46 / UL 1278**

APPLY SERIAL NUMBER LABEL FROM CARTON



Serial No. XXXXX00000  
MODEL NO.



Wolf Steel Ltd., 24 Napoleon Rd., Barrie, ON, L4M 0G8 Canada / 103 Miller Drive, Crittenden, Kentucky, USA, 41030  
Phone 1 (866) 820-8686 • www.napoleonfireplaces.com • hearth@napoleonproducts.com

**! WARNING**

- **If equipped with a heater, this appliance can be hot when operated and can cause severe burns if contacted.**
- Do not operate appliance before reading and understanding operating instructions. Failure to operate appliance according to operating instructions could cause fire or injury.
- Do not install damaged, incomplete or substitute components.
- Do not burn wood or other materials in this appliance.
- All electric appliances have hot and arcing or sparking parts inside. Do not use it in areas where a gas line, paint or flammable liquids are present.
- Any safety screen or guard removed for servicing must be replaced prior to operating the appliance.
- It is imperative that the control compartments, circulating blower and its passageway in the appliance are kept clean. The appliance should be inspected before use and at least annually by a qualified service person. More frequent cleaning may be required due to excessive lint from carpeting, bedding material, etc. The appliance area must be kept clear and free from combustible materials, gasoline and other flammable vapors and liquids.
- Under no circumstances should this appliance be modified.
- Do not use this appliance if any part has been under water. Immediately call a qualified service technician to inspect the appliance and to replace any part of the control system which has been under water.
- If equipped with a glass door, do not operate the appliance with the glass door removed, cracked or broken. Replacement of the glass should be done by a licensed or qualified service person. Do not strike or slam shut the appliance glass door.
- Keep the packaging material out of reach of children and dispose of the material in a safe manner. As with all plastic bags, these are not toys and should be kept away from children and infants.
- Servicing should be done only while the appliance is disconnected from the power supply circuit.
- Always unplug appliance when not in use.
- Do not operate this appliance with a damaged cord or plug after the appliance malfunctions, has been dropped or damaged in any manner. Return appliance to authorized service facility for examination, electrical or mechanical adjustment, or repair.
- Do not use outdoors.
- When installing this appliance in a room where water is present, the installation must comply with codes recognizing the increased hazard of electrical shock and electrocution.

**note:**

This appliance IS NOT suitable for installation in a bathroom.

- Do not run cord under carpeting. Do not cover cord with throw rugs, runners, or the like. Arrange cord away from traffic area and where it will not be tripped over.
- Connect to properly grounded outlets only.
- Do not insert or allow foreign objects to enter any ventilation or exhaust opening as this may cause an electric shock or fire, or damage the appliance.
- It is normal for your electric appliance to produce noise, especially when installed in a quiet space such as a bedroom.

**! WARNING**

- To prevent a possible fire, do not block air intakes or exhaust in any manner. Do not use on soft surfaces, like a carpet, where openings may become blocked.
- Always plug appliances directly into a wall outlet/receptacle. Never use an extension cord or relocatable power tap (outlet/power strip).
- These appliances are tested and listed for use only with the optional accessories listed in these instructions. Use of optional accessories not specifically tested for this appliance could void the warranty and/or result in a safety hazard.

**For appliances equipped with a heater:**

- Risk of burns. Power to the appliance should be turned off and the appliance allowed to cool before servicing. To disconnect power to the appliance, turn controls to off, then remove plug from outlet.
- Young children should be carefully supervised when they are in the same room as the appliance. Toddlers, young children and others may be susceptible to accidental contact burns. A physical barrier is recommended if there are at risk individuals in the house. To restrict access to an appliance or stove, install an adjustable safety gate to keep toddlers, young children and other at risk individuals out of the room and away from hot surfaces.
- Clothing or other flammable material should not be placed on or near the appliance.
- Due to high temperatures, the appliance should be located out of traffic and away from furniture and draperies.
- Ensure you have incorporated adequate safety measure to protect infants/toddlers from touching hot surfaces.
- Even after the appliance is off, the glass and/or screen will remain hot for an extended period of time.
- Check with your local hearth specialty dealer for safety screens and hearth guards to protect children from hot surfaces. These screens and guards must be fastened to the floor.
- Ensure clearances to combustibles are maintained when building a mantel or shelves above the appliance. Elevated temperatures on the wall or in the air above the appliance can cause melting, discolouration or damage to decorations, a T.V. or other electronic components.

**! WARNING:** This product can expose you to chemicals including lead and lead compounds, which are known to the State of California to cause cancer, and chemicals including BBP and DEHP, which are known to the State of California to cause birth defects or other reproductive harm. For more information, go to [www.P65Warnings.ca.gov](http://www.P65Warnings.ca.gov).

<b>1.0</b>	<b>general information</b>	<b>5</b>
1.1	dimensions	5
1.2	product information	5
1.3	listing approvals	5
1.4	general instructions	6
1.5	unpacking and testing appliance	6
1.6	parts list	7
1.7	rating plate information	8
<b>2.0</b>	<b>locating appliance</b>	<b>9</b>
2.1	grounding appliance	9
<b>3.0</b>	<b>installation</b>	<b>10</b>
3.1	minimum clearance to combustibles	10
3.2	minimum mantel clearances	10
3.3	framing	11
3.4	installing the appliance onto the wall	12
3.5	recessing the appliance into the wall	13
3.6	installing the appliance into a mantel	14
3.6.1	rubber feet installation	15
3.7	hard wiring installation	16
<b>4.0</b>	<b>finishing</b>	<b>17</b>
4.1	mesh trim front installation	17
4.2	mesh trim front removal	18
4.3	crystal ember installation	18
<b>5.0</b>	<b>operating instructions</b>	<b>19</b>
5.1	main power button	19
5.2	operating touch display panel and remote control	19
<b>6.0</b>	<b>maintenance</b>	<b>20</b>
6.1	remote battery installation	20
<b>7.0</b>	<b>wiring diagram</b>	<b>21</b>
<b>8.0</b>	<b>replacement parts</b>	<b>22</b>
<b>9.0</b>	<b>troubleshooting</b>	<b>24</b>
<b>10.0</b>	<b>warranty</b>	<b>25</b>

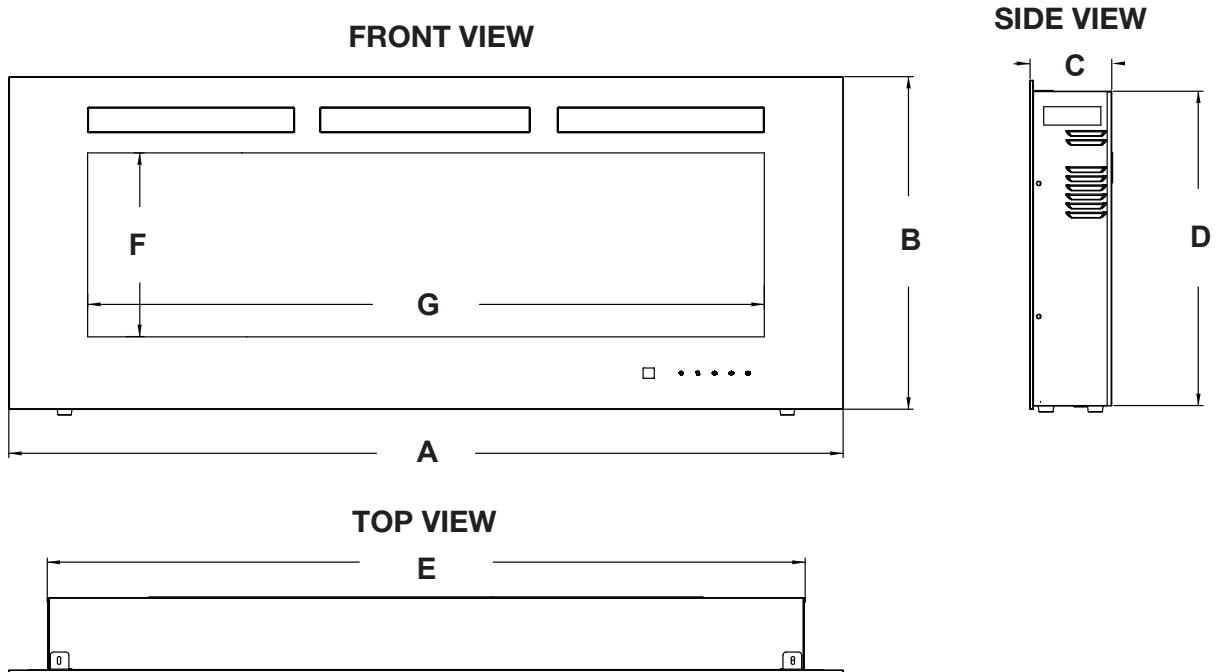


Batteries must be disposed of according to the local laws and regulations. Some batteries may be recycled, and may be accepted for disposal at your local recycling center. Check with your municipality for recycling instructions.

**note:**

The information throughout this manual is believed to be correct at the time of printing. Wolf Steel Ltd. reserves the right to change or modify any information within this manual at any time without notice. Changes, other than editorial, are denoted by a vertical line in the margin.

## 1.1 dimensions



## 1.2 product information

DIMENSIONS							
MODEL NO.	A	B	C	D	E	F	G
NEFL42FH-MT	42" (1067mm)	21 5/8" (550mm)	5 1/3" (136mm)	20 1/2" (520mm)	37 1/2" (951mm)	12" (304mm)	32 8/16" (827mm)
NEFL50FH-MT	50" (1270mm)	21 5/8" (550mm)	5 1/3" (136mm)	20 1/2" (520mm)	45 7/16" (1154mm)	12" (304mm)	40 1/2" (1030mm)
NEFL60FH-MT	60" (1524mm)	21 5/8" (550mm)	5 1/3" (136mm)	20 1/2" (520mm)	55 5/16" (1405mm)	12" (304mm)	50 5/8" (1287mm)

MODEL NO.	NET WEIGHT	GROSS WEIGHT
NEFL42FH-MT	44.3 lbs (20.1kg)	60.2 lbs (27.3kg)
NEFL50FH-MT	50.9 lbs (23.1kg)	63.4 lbs (29.2kg)
NEFL60FH-MT	61.3 lbs (27.8kg)	73.4 lbs (33.3kg)

Description	Electric Appliance
<b>Type</b>	There are 3 ways to install the appliance: Wall-Mount, Recess into Wall and Assemble with Mantel
<b>Voltage</b>	120V AC
<b>Watts</b>	MAX 1500W
<b>Amps</b>	15 AMP Grounded Circuit

## 1.3 listing approvals

This appliance has been tested in accordance with the CSA Standards for fixed and location-dedicated electric room appliances in the United States and Canada. If you need assistance during installation, please contact your local dealer.

**note:**

This appliance must be electrically wired and grounded in accordance with local codes or, in the absence of local codes, with National Electric Code ANSI/NFPA 70-latest edition in the United States or the Canadian Electric Code, CSA C22.1 in Canada.

# general information

## 1.4 general instructions

- Prior to plugging your appliance into an electrical outlet, verify that the house circuit breakers for the outlet are on.
- The appliance may emit a slight, harmless odour when first used. This odour is normal and it is caused by the initial heating of internal appliance elements and will not occur again.
- If your appliance does not emit heat when called for, consult the “operation” section of this manual for further information.
- Use with a CSA or UL certified surge protector.
- Do not route the power cord directly underneath the appliance.

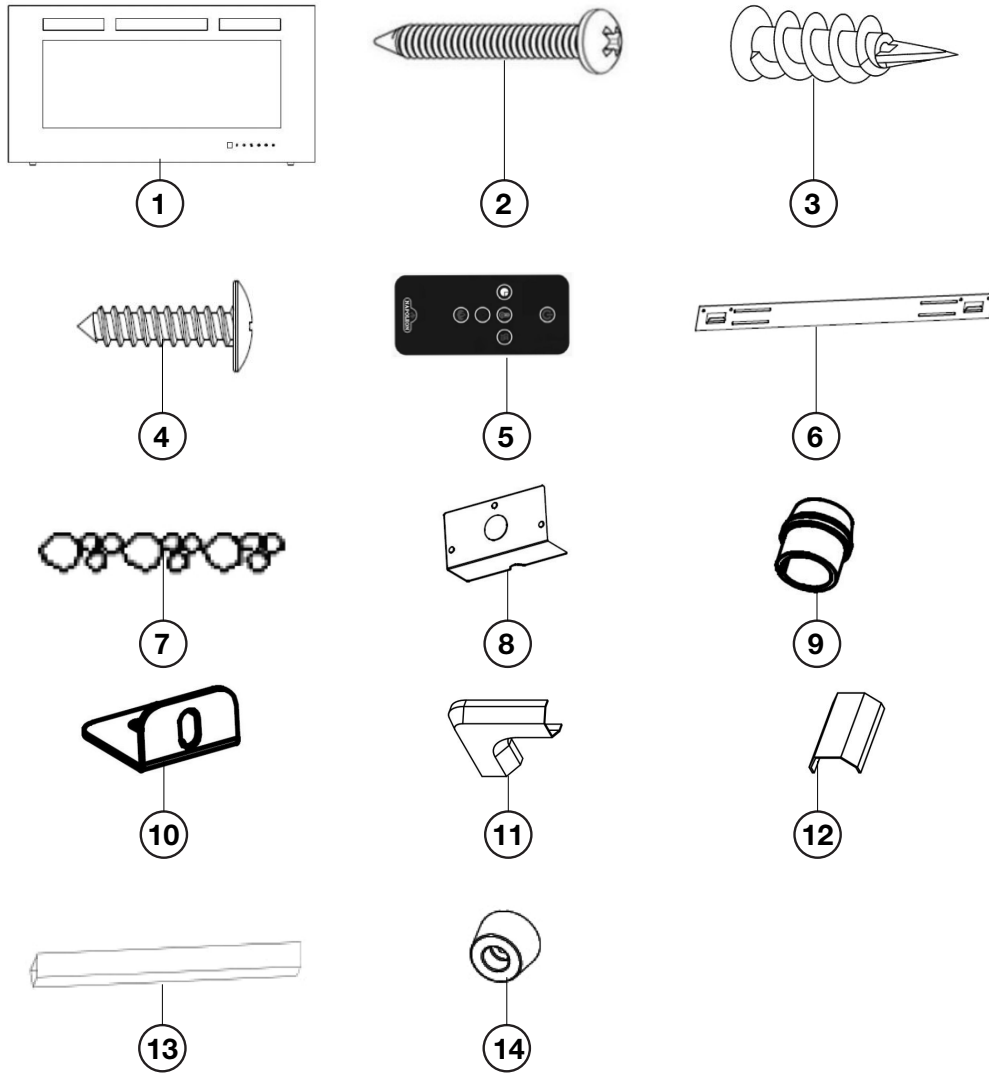
This electric appliance meets the construction and safety standards of H.U.D. for application in manufactured homes when installed according to these instructions.

**As with most electronic devices, your new electric appliance has been designed to operate at temperatures between 5°C (41°F) and 35° C (95°F). During the colder winter months, allow the appliance to reach room temperature before turning it on.**

## 1.5 unpacking and testing appliance

Carefully remove the appliance from the box. Prior to installing the appliance, test to make sure the appliance operates properly by plugging the power supply cord into a conveniently located 120 Volt, 15 Amp grounded outlet.

1.6 parts list



Ref.	Description	Quantity		
		NEFL42FH-MT	NEFL50FH-MT	NEFL60FH-MT
1	Appliance	1	1	1
2	Wood Screws	6	6	12
3	Drywall Anchors	6	6	12
4	ST 4 x 12 Metal Screws	8	8	8
5	Remote Control	1	1	1
6	Wall Bracket	1	1	2
7	Crystals	2	2	2
8	Cover Plate	1	1	1
9	Strain Relief	1	1	1
10	Metal Bracket	4	4	4
11	Cord Corner	2	2	2
12	Cord Coupler	2	2	2
13	Cord Cover	2	2	2
14	Rubber Foot	4	4	6

## 1.7 rating plate information

CERTIFIED UNDER CANADIAN AND AMERICAN NATIONAL STANDARD: CSA 22.2 NO. 46 AND UL 2021 / HOMOLOGUÉ SELON LES NORMES NATIONALES CANADIENNES ET AMÉRICAINES: CSA 22.2 NO. 46 UL 2021	
ELECTRIC FIREPLACE. SUITABLE FOR BEDROOM AND BED-SITTING ROOM INSTALLATION. SUITABLE FOR MOBILE HOME INSTALLATION.	FOYER À ÉLECTRIQUE. HOMOLOGUÉ POUR INSTALLATION DANS UNE CHAMBRE À COUCHER, UNE SALLE DE BAIN ET UN STUDIO. APPROPRIÉ POUR INSTALLATION DANS UNE MAISON MOBILE.
<b>MASTER CONTRACT: 161746</b>	<b>CONTRAT-CADRE: 161746</b>
	
C US MODELS / MODÈLES	
<input type="checkbox"/> NEFL32FH-MT	<input type="checkbox"/> CEFL32FH-MT
<input type="checkbox"/> NEFL42FH-MT	<input type="checkbox"/> CEFL42FH-MT
<input type="checkbox"/> NEFL50FH-MT	<input type="checkbox"/> CEFL50FH-MT
<input type="checkbox"/> NEFL60FH-MT	<input type="checkbox"/> CEFL60FH-MT
<input type="checkbox"/> NEFL72FH-MT	<input type="checkbox"/> CEFL72FH-MT
<input type="checkbox"/> NEFL100FH-MT	<input type="checkbox"/> CEFL100FH-MT
<b>VOLTAGE: 120 VAC</b>	<b>TENSION: 120VCA</b>
<b>FREQUENCY: 60Hz</b>	<b>FRÉQUENCE: 60Hz</b>
<b>POWER: 1500W</b>	<b>PUISSANCE: 1500W</b>
<b>DATE CODE:</b>	<b>CODE DE DATE:</b>
DESIGNED IN NORTH AMERICA	DÉSIGN AMÉRIQUE DU NORD
BY WOLF STEEL LTD.	PAR WOLF STEEL LTÉE.
MADE IN CHINA	FABRIQUÉ EN CHINE
<b>WOLF STEEL LTD.</b> 24 NAPOLEON ROAD, BARRIE, ON, L4M 0G8 CANADA	<b>SERIAL NUMBER/NO. DE SÉRIE: NEFL</b>
	W385-2162

This illustration is for reference only. Refer to the rating plate on the appliance for accurate information.

**note:**

The rating plate must remain with the appliance at all times. It must not be removed.



## **! WARNING**

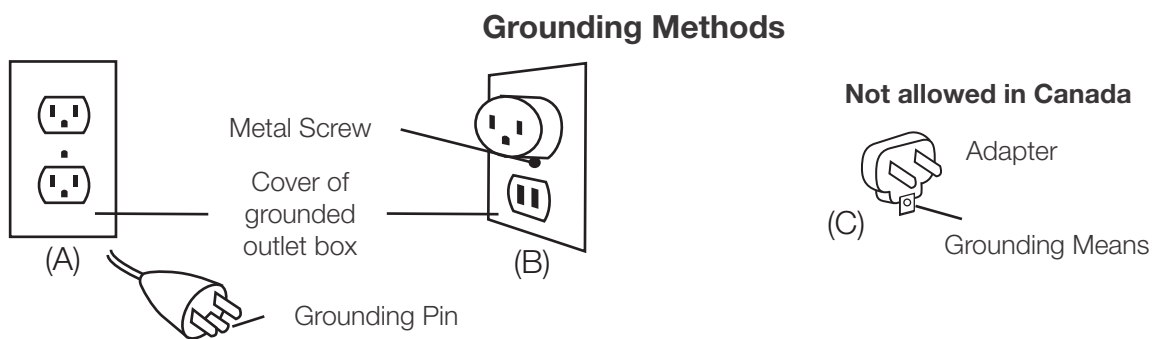
- Due to high temperatures, this electric appliance should be located out of traffic. Keep combustible materials such as furniture, pillows, bedding, papers, clothes, curtains, and similar items at least 36" from the front of the appliance.
- Never locate this electric appliance where it may fall into a bathtub or other water container.
- Wear safety gloves and safety glasses for protection during installation and maintenance.
- To prevent contact with sagging or loose insulation, the electric appliance must not be installed against vapor barrier or exposed insulation. Localized overheating could occur and fire could result.
- Do not expose the electric appliance to the elements (such as rain, etc.)

### 2.1 grounding appliance

This appliance is for use on 120 volts. The cord has a plug as shown in (A). An adapter as shown in (C) is available for connecting three-blade grounding type plugs to two-slot receptacles, as shown in (B).

The green grounding plug extending from the adapter must be connected to a permanent ground such as a properly grounded outlet box. The adapter should not be used if a three-slot grounded receptacle is available.

To disconnect appliance, turn controls to off, then remove plug from outlet.



## 3.0 installation

### **!** WARNING

- Risk of fire! The power cord must not be pinched against a sharp edge. Secure cord to avoid tripping or snagging to reduce the risk of fire, electric shock, or personal injury. Do not run cord under carpeting. Do not cover cord with throw rugs, runners, or similar items. Arrange cord away from traffic areas and where it will not be tripped over.
- Risk of fire! To prevent a possible fire, do not block air intake or exhaust in any manner. Do not use on soft surfaces where openings may become blocked.
- Risk of fire! Do not blow or place insulation against the appliance.
- This electric appliance is tested and listed for use only with the approved optional accessories. Use of optional accessories not specifically tested for this electric appliance could void the warranty and/or result in a safety hazard.
- If the information in these instructions is not followed exactly, a fire or explosion may result causing property damage, personal injury, or death. Do not store or use gasoline or other flammable vapors in the vicinity of this or any other appliance.
- This appliance is heavy. It is highly recommended that two people install this appliance.
- If your appliance is equipped with a heater, ensure the heater vents cannot, in any way, be covered as it may create a fire hazard.
- Do not run the power cord horizontally, directly below the appliance.

Your appliance is a wall-mounted, recessed and/or mantel-installed appliance. Select a suitable location that is not susceptible to moisture and is away from drapes, furniture and high traffic areas.

**note:**

Follow all national and local electrical codes.

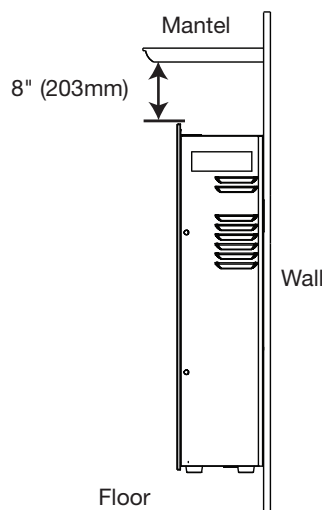
### 3.1 minimum clearance to combustibles

Measurements are taken from the mesh trim front:			
<b>Bottom</b>	<b>0"</b>	<b>Top</b>	<b>8" (203mm) to mantel</b>
<b>Sides</b>	<b>0"</b>	<b>Top</b>	<b>8" (203mm) to ceiling</b>
<b>Back</b>	<b>0"</b>		

### 3.2 minimum mantel clearances

### **!** WARNING

- When using paint or lacquer to finish the mantel, the paint or lacquer must be heat resistant to prevent discoloration. Lighter coloured paints/lacquers may discolor.

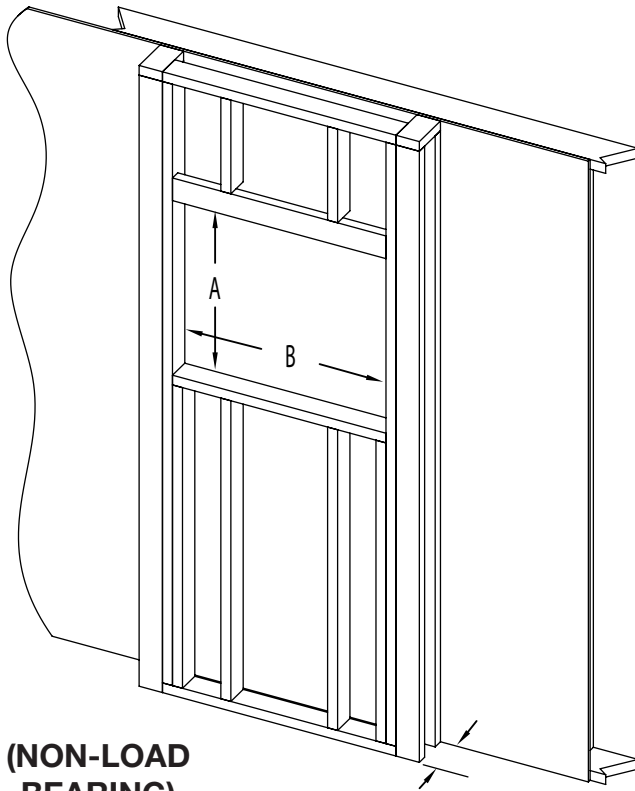


**Side View**

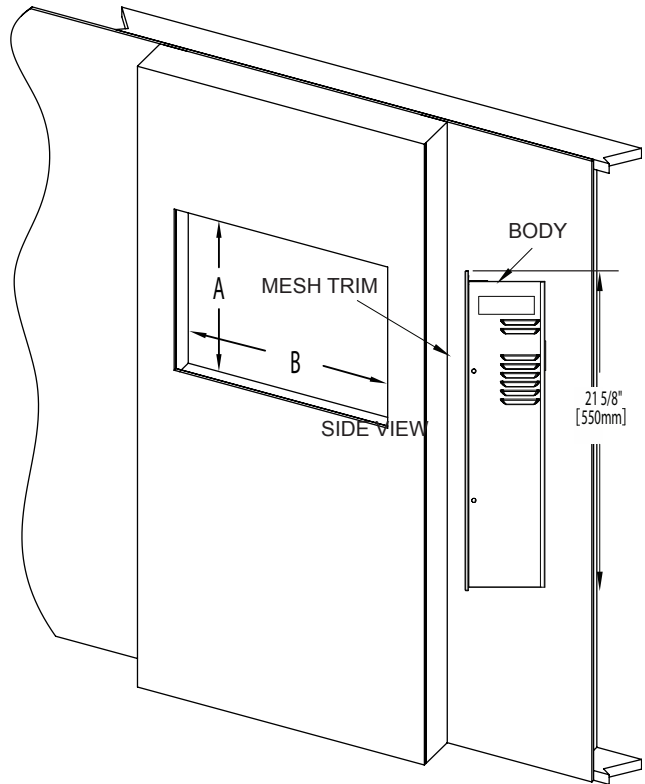
3.3 framing

<b>Measurements are taken from the body of the appliance:</b>	
Sides, back and top	0"

Finishing Material



3 1/2" (89mm) - MIN.  
5" (127mm) - MAX

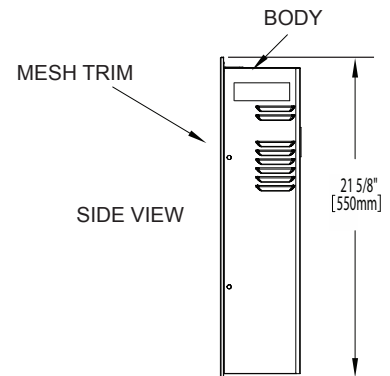


MODEL NO.	A	B
NEFL42FH-MT	21" (53.5cm)	38" (96.5cm)
NEFL50FH-MT	21" (53.5cm)	45 15/16" (116.6cm)
NEFL60FH-MT	21" (53.5cm)	55 13/16" (141.8cm)

### 3.4 installing the appliance onto the wall

Due to the many different materials used on different walls, it is highly recommended to consult your local builder before installing this appliance on the wall.

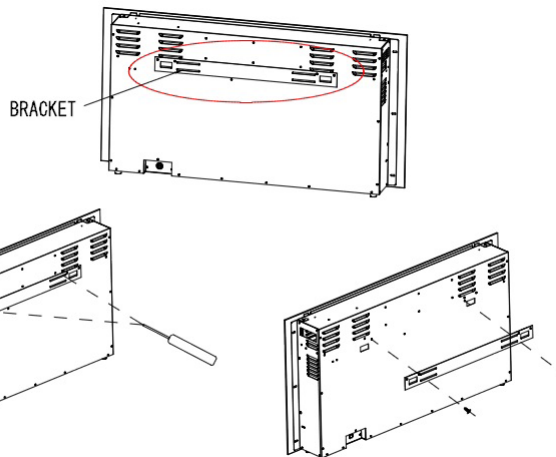
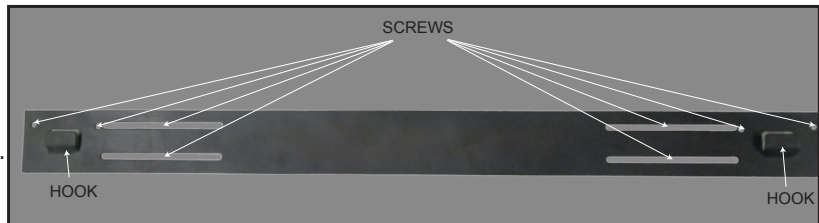
- A. Select a location that is not prone to moisture and is located at least 36" (91.4cm) away from combustible materials such as curtain drapes, furniture, bedding, paper, etc.
- B. Have 2 people hold the appliance against the wall to determine the final location.
- C. Place appliance face down on a soft, non abrasive surface. Remove the bracket from the back of the appliance by removing the screws (see illustrations below).
- D. Mark out location, then mount the bracket(s) onto the wall using the supplied screws. This bracket **MUST** have the hooks facing upward and be level.



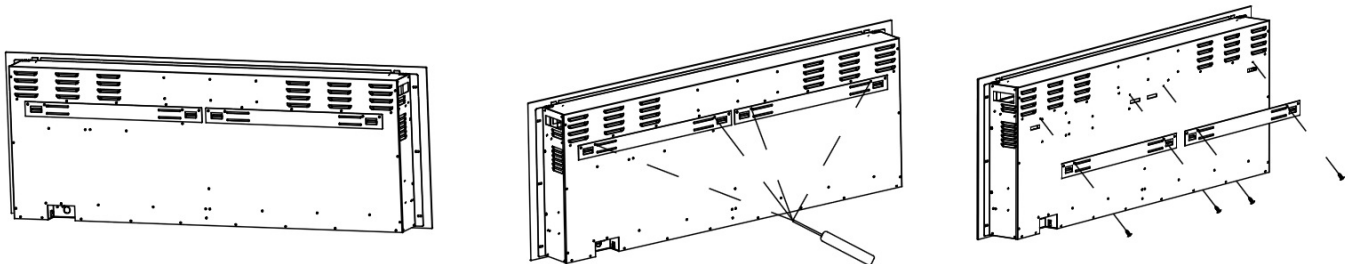
**note:**

It is strongly recommended that the mounting bracket be screwed into the wall studs where possible. If the wall studs cannot be used, ensure that the supplied plastic anchors are used to affix the bracket to the wall and the bracket is adequately secured.

- E. With the wall mounting bracket installed, have 2 people lift the appliance up and insert the 2 hooks on the bracket into the 2 slots on the back of the appliance.
- F. Check the appliance for stability ensuring that the bracket will not pull free from the wall.



**NEFL42/50FH-MT BRACKET ILLUSTRATED**



**NEFL60FH-MT BRACKET ILLUSTRATED**

### 3.5 recessing the appliance into the wall

Due to the many different finish materials used on walls, it is highly recommended to consult your local builder before installing this appliance in the wall.

Select a location that is not prone to moisture and is located at least 36" (91.4cm) away from combustible materials such as curtain drapes, furniture, bedding, paper, etc.

- A. Measure the appliance and create a rough in with electrical.
- B. Remove the mesh trim front (see "mesh trim front removal" section).
- C. Hold the appliance up to ensure it will fit into the framing.
- D. If the appliance is fully recessed into the wall:
  - Bend the 2 top tabs upward on the mesh trim front (**Fig. 3, next page**).
  - Use 6 screws (supplied) to lock the appliance into the wall with the existing 2 side flanges (**Fig. 1**).
  - Install the media and reinstall the mesh trim front.
- E. If partial recess into the wall:
  - Use the 2 mounting brackets (supplied) to lock the appliance to the wall (**Fig. 2**).

**note:**

2 sets of holes are provided for recessing into wall. The wall structure may limit how far the appliance can be recessed. Use the appropriate set of holes when recessing to the frame, it may be necessary to use the 4 holes on the top and bottom.

Fig. 1

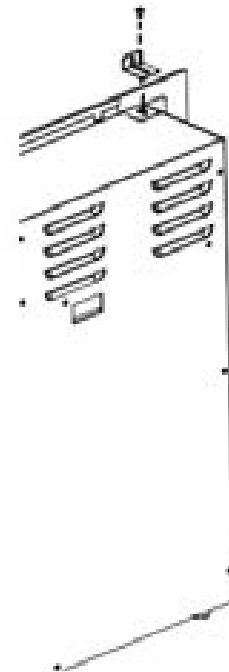
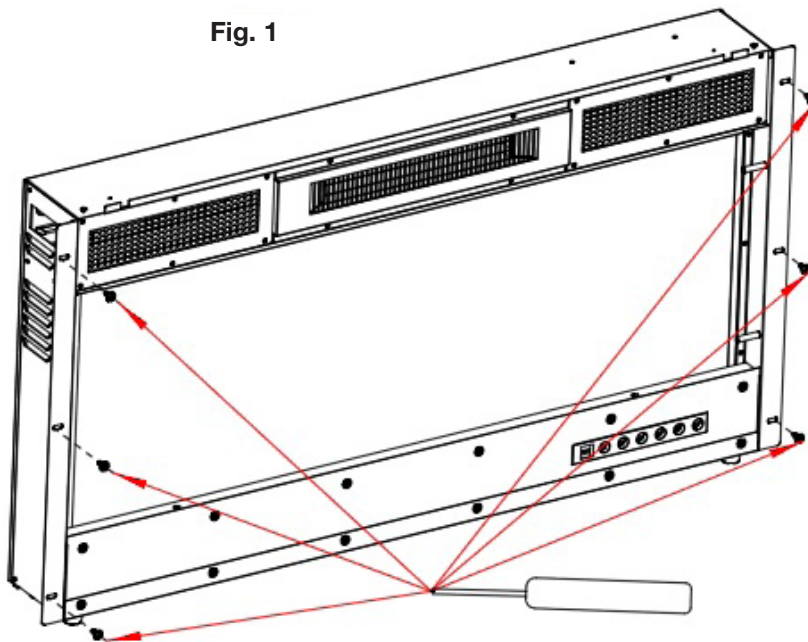


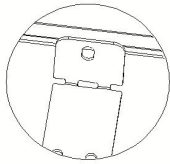
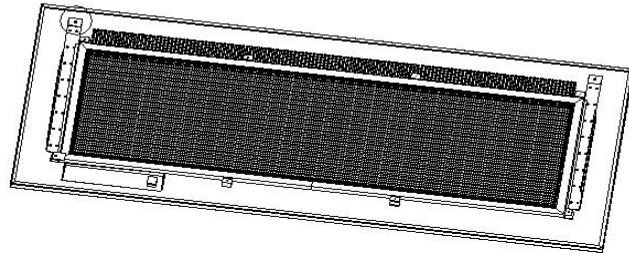
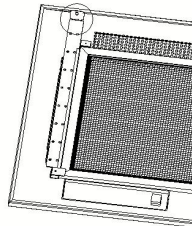
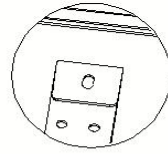
Fig. 2

**note:**

It is recommended the walls of the appliance enclosure be finished (ie. drywall) to avoid exposed insulation or vapour barrier coming in contact with the appliance. This will ensure clearance to combustibles is maintained.

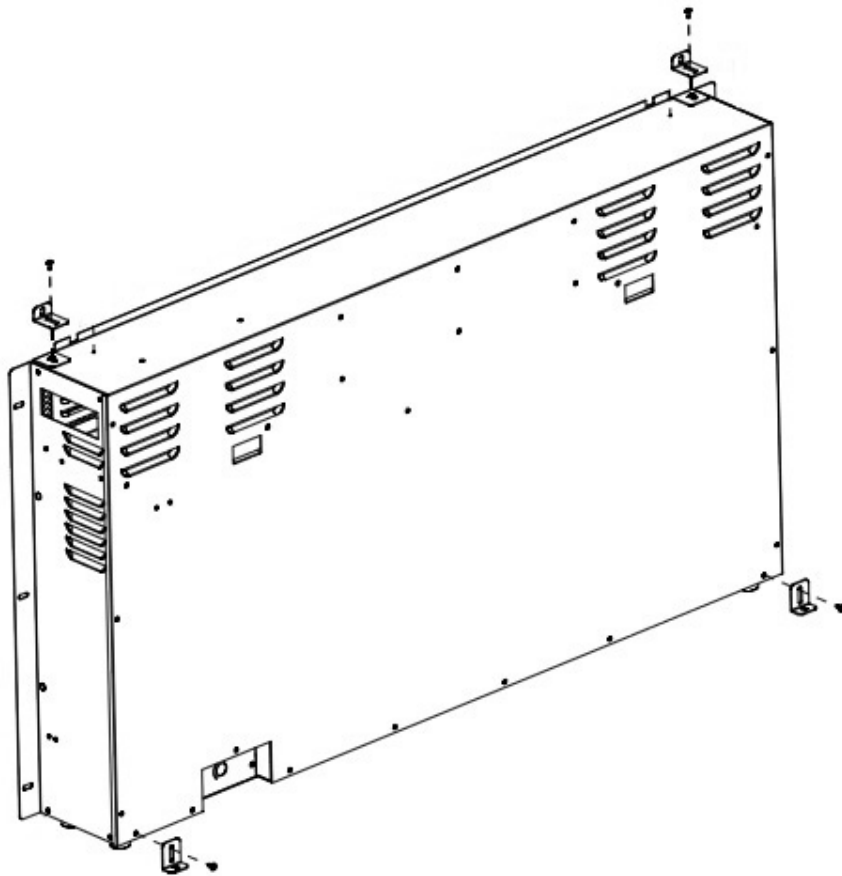
**note:**

The appliance tabs come bent. Tabs must be bent flat by hand when fully recessing the appliance into the wall (**Fig. 4**).

**Fig. 3**

**Fig. 4**


### 3.6 installing the appliance into a mantel

- A. Remove the mesh trim front (see "mesh trim front removal" section).
- B. Install the rubber feet onto the bottom of the appliance for stability (see "rubber feet installation" section).
- C. Install the top and bottom brackets provided.
- D. Insert the appliance into the mantel and secure it with the brackets, or refer to electronic appliance mantel installation manual for proper appliance installation instructions.
- E. Place the crystal embers along the media tray (see "crystal ember installation" section).
- F. Reinstall the mesh trim front.

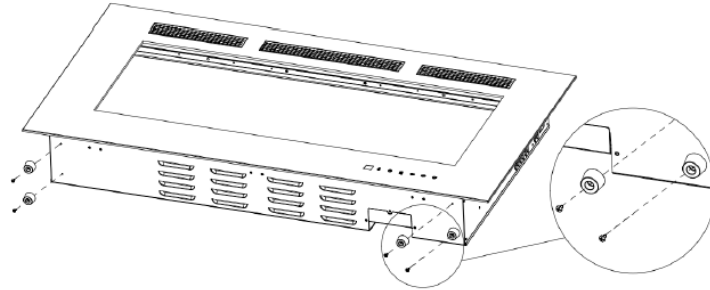


### 3.6.1 rubber feet installation

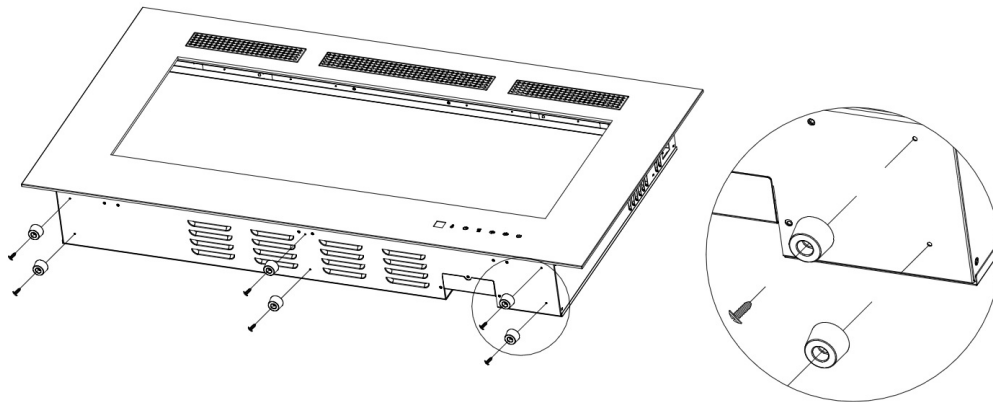
- A. Place the appliance face down on a soft surface.
- B. Using a screw driver, remove the screws on the bottom of the appliance.
- C. Install the 4 rubber feet (6 rubber feet for NEFL60FH-MT) onto the bottom of the appliance using the screws from Step B. See illustrations below.

**note:**

The screws for installing the rubber feet are secured to the appliance. Removal of the screws is necessary for installing the rubber feet.



**NEFL42/50FH-MT ILLUSTRATED**



**NEFL60FH-MT ILLUSTRATED**



## 3.7 hard wiring installation

**! WARNING**

- Turn off the appliance completely and let cool before servicing. Only a qualified service person should service and repair this electric appliance.

**HARD WIRING CONNECTION**

If it is necessary to hard wire this appliance, a qualified electrician must remove the cord connection, and wire the appliance directly to the house hold wiring.

This appliance must be electrically connected and grounded in accordance with local codes, if hard wired. In the absence of local codes, use the current CSA C22.1 CANADIAN ELECTRICAL CODE in Canada or the current ANSI/NFPA 70 NATIONAL ELECTRICAL CODE in the United States.

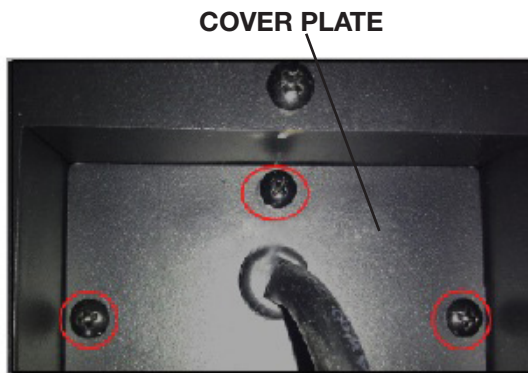


Fig. 1

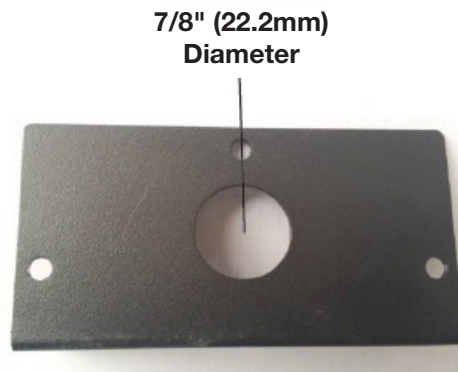


Fig. 2

- Remove the cover plate from the right side bottom of the appliance by removing the 3 screws (**Fig. 1**).
- Remove the wire connectors from the power cord. The power cord may be discarded.
- Punch out the 7/8" (22.2mm) hole in the new cover plate (supplied) (**Fig. 2**) and install a box connector through and into the junction box. Snap the box connector clamp onto the supply wires.
- Using the wire connectors, connect the ground green wires (G) and the common white wires (N) together, and then the hot black wires (L) (**Fig. 3 and 4**).
- Reinstall the cover plate using 3 screws (**Fig. 1**).

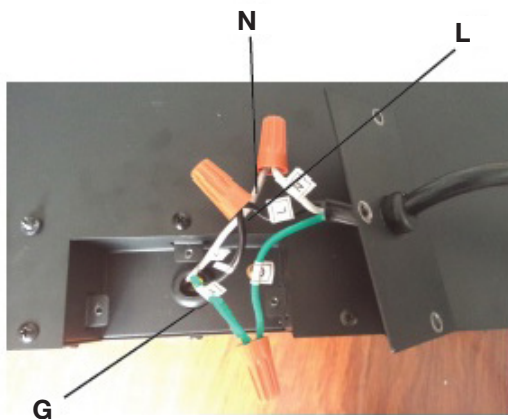


Fig. 3



Fig. 4



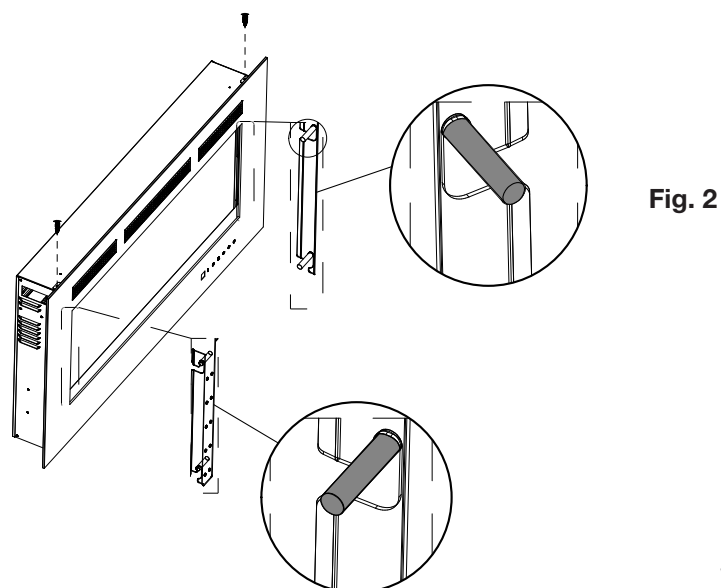
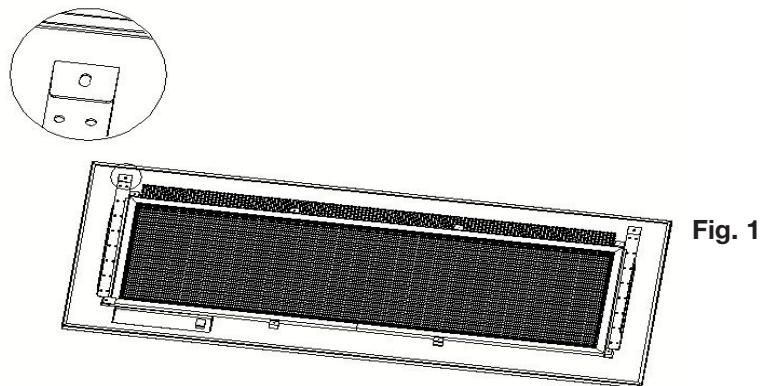
**! WARNING**

- Power supply service must be completed prior to finishing to avoid reconstruction.
- Heat vents and air openings cannot be covered in any circumstances.

**4.1 mesh trim front installation****! WARNING**

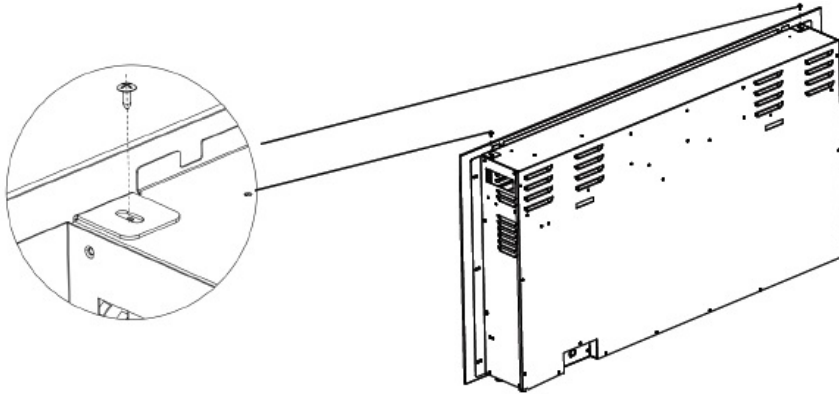
- The door latches are part of a safety system and must be properly engaged. Do not operate the appliance with latches disengaged.
- Facing and/or finishing materials must not interfere with air flow through air openings, louvre openings, operation of louvres or doors, or access for service. Observe all clearances when applying combustible materials.
- Before door is removed, turn the appliance off and wait until appliance is cool to the touch. Doors are heavy and fragile so handle with care.

- Remove the 2 screws from the top of the appliance.
- Have 2 people lift the mesh trim up and away from the appliance, holding the mesh trim vertical - not flat - while carrying. Place the mesh trim face down onto a soft, non-abrasive surface, being careful not to flex the mesh trim.
- Bend the top tabs flat (**Fig. 1**).
- Install the crystal embers (see "crystal ember installation" section).
- Install the mesh trim front by aligning with the pins on the appliance. Press the mesh trim in and down to securely engage with the brackets. It must be fully engaged to ensure the touch display panel performs properly.
- Secure the mesh trim front using the screws provided to the top of the appliance (**Fig. 2**). If appliance is fully recessed, this is not necessary.



**4.2 mesh trim front removal****FOR WALL-MOUNT, PARTIAL-RECESS AND MANTEL-INSTALLED APPLIANCE ONLY:**

- A.** Remove the 2 screws from the top of the appliance. See illustrations below.
- B.** Have 2 people lift the mesh trim up and away from the appliance, holding the mesh trim vertical - not flat - while carrying. Place the mesh trim face down onto a soft, non-abrasive surface, being careful not to flex the mesh trim.
- C.** Install the crystal embers (see "crystal ember installation" section). Install the front mesh trim by aligning with the pins on the appliance. This ensures the touch display panel performs properly.

**4.3 crystal ember installation**

The mesh trim front must be removed and the appliance must be secured in its final location before the crystal embers are installed.

- A.** Carefully place crystal embers into the bottom media tray on the front of the appliance as illustrated. Apply an even layer from side to side.
- B.** Ensure that no crystal embers touch the mesh trim front during install. Avoid crystal embers scratching/tearing mesh.



## **WARNING**

- To avoid danger of suffocation, keep the packaging bag away from babies and children. Do not use in cribs, beds, carriages, or play pens. This bag is not a toy. Knot before throwing away.

Once the appliance has been plugged into a grounded electrical outlet, it is ready to operate.

**note:**

Ensure the house circuit breakers for the power supply are turned on. In the event of a power failure, the appliance will lose its memory function and will reset to factory mode when the power returns.

### 5.1 main power button

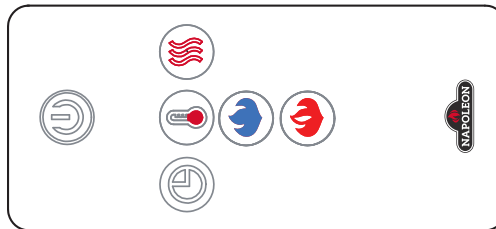
The main power button is located on the front bottom right side of the appliance.









### 5.2 operating touch display panel and remote control

## **WARNING**

- Do not move or remove the mesh trim panel when the appliance is plugged in and operating. This will cause the remote control and touch panel to no longer function.



The touch display panel is shown by LED's on the front bottom right of the appliance. The LED's will disappear after 10 seconds of no function change. The main power button will be dim.

<b>POWER</b>		Turns the appliance ON/OFF.																																					
<b>FLAME - ORANGE</b>		Controls Orange Flame brightness. <b>6 Settings:</b> F5-F4-F3-F2-F1-F0. Flame dims from F5 to F1. F5 is the brightest setting and F0 is off.																																					
<b>FLAME - BLUE</b>		Controls Blue Flame brightness. <b>6 Settings:</b> F5-F4-F3-F2-F1-F0. Flame dims from F5 to F1. F5 is the brightest setting and F0 is off.																																					
<b>HEATER</b>		Turns the heater ON/OFF. (H0) - No heater or blower. (BL) - Blower only. (H1) - Heater blows warm air (750W). (H2) - Heater blows hot air (1500W).  <b>NOTE:</b> Heater functions cycle from H0-BL-H1-H2. Press and hold the heater button for 5s to lock the heater and temperature setting onto the selected setting. Hold the button for another 5s to unlock the heater and temperature setting.																																					
<b>TIMER</b>		Turns the timer ON/OFF. <b>9 Settings:</b> 0.5h, 1h, 2h, 3h, 4h, 5h, 6h, 7h, 8h. Press button until desired setting is reached.																																					
<b>TEMPERATURE</b>		1. Press once to turn the touch panel indicator ON. 2. Press button until desired setting is reached. Digital display shows setting circles as follows: <table border="1" data-bbox="800 1822 1336 1927"> <thead> <tr> <th>Display Value</th> <th>0</th> <th>1</th> <th>2</th> <th>3</th> <th>4</th> <th>5</th> <th>6</th> <th>7</th> <th>8</th> <th>9</th> <th>N</th> </tr> </thead> <tbody> <tr> <td rowspan="2">Temperature</td> <td>°C</td> <td>18</td> <td>19</td> <td>20</td> <td>21</td> <td>22</td> <td>23</td> <td>24</td> <td>25</td> <td>26</td> <td>27</td> <td>ON</td> </tr> <tr> <td>°F</td> <td>64</td> <td>66</td> <td>68</td> <td>70</td> <td>72</td> <td>74</td> <td>76</td> <td>78</td> <td>80</td> <td>82</td> <td>ON</td> </tr> </tbody> </table> <b>NOTE:</b> Holding the button for 5s will switch the temperature from C° to F° and vice versa.	Display Value	0	1	2	3	4	5	6	7	8	9	N	Temperature	°C	18	19	20	21	22	23	24	25	26	27	ON	°F	64	66	68	70	72	74	76	78	80	82	ON
Display Value	0	1	2	3	4	5	6	7	8	9	N																												
Temperature	°C	18	19	20	21	22	23	24	25	26	27	ON																											
	°F	64	66	68	70	72	74	76	78	80	82	ON																											

### **! WARNING**

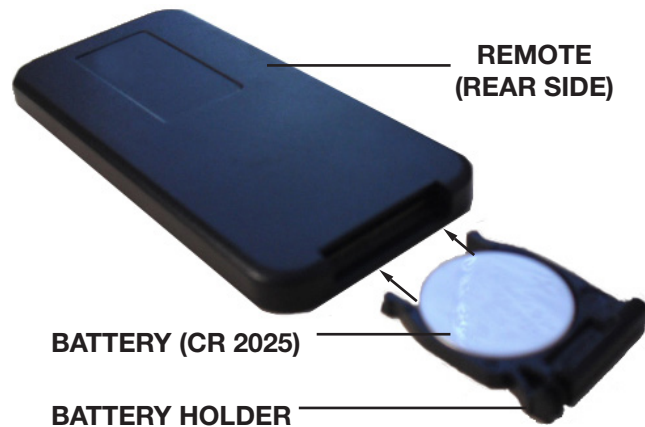
- In preparation for maintenance, always disconnect the power and allow the electric appliance to cool before performing any cleaning, maintenance, or relocation of this electric appliance. Turn controls to off and remove plug from outlet or turn off the house circuit breaker to electric appliance receptacle.
- Do not install replacement lamps that exceed specified maximum watts.
- The LED lights in your appliance can become hot. Allow at least 10 minutes between turning off the appliance and removing the lights to avoid accidental burns.
- Do not handle the lights with bare fingers, as oils from your skin will damage the lights when they heat up. Use gloves or a clean dry cloth when handling lights.

### 6.1 remote battery installation

**note:**

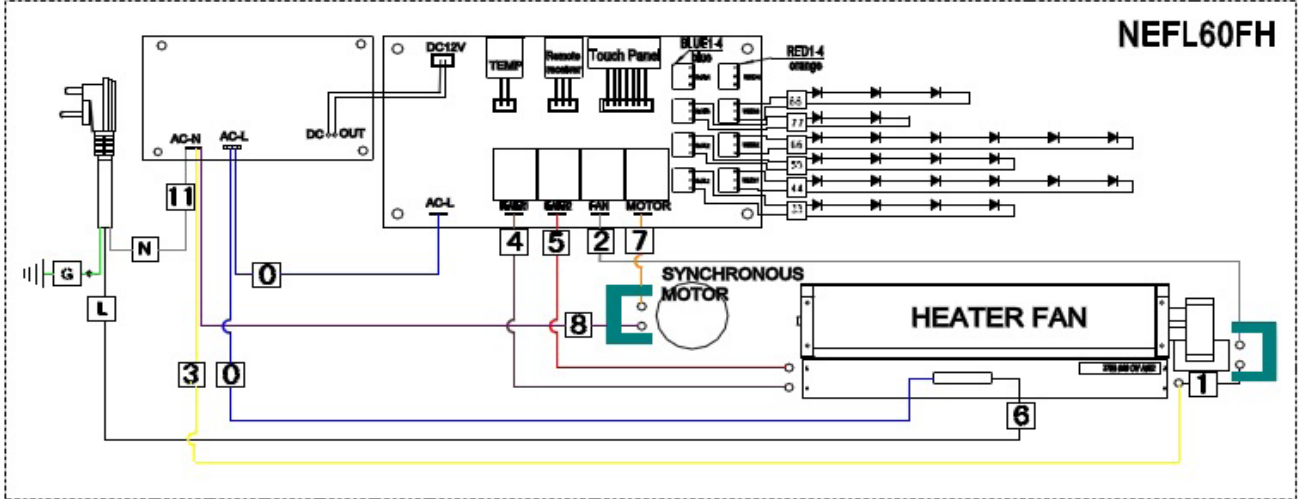
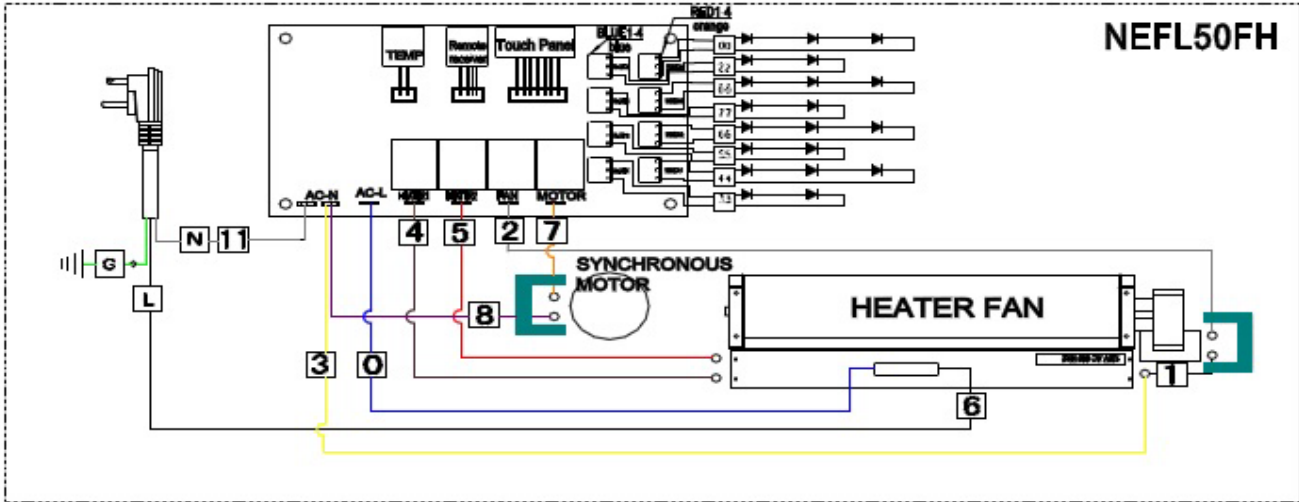
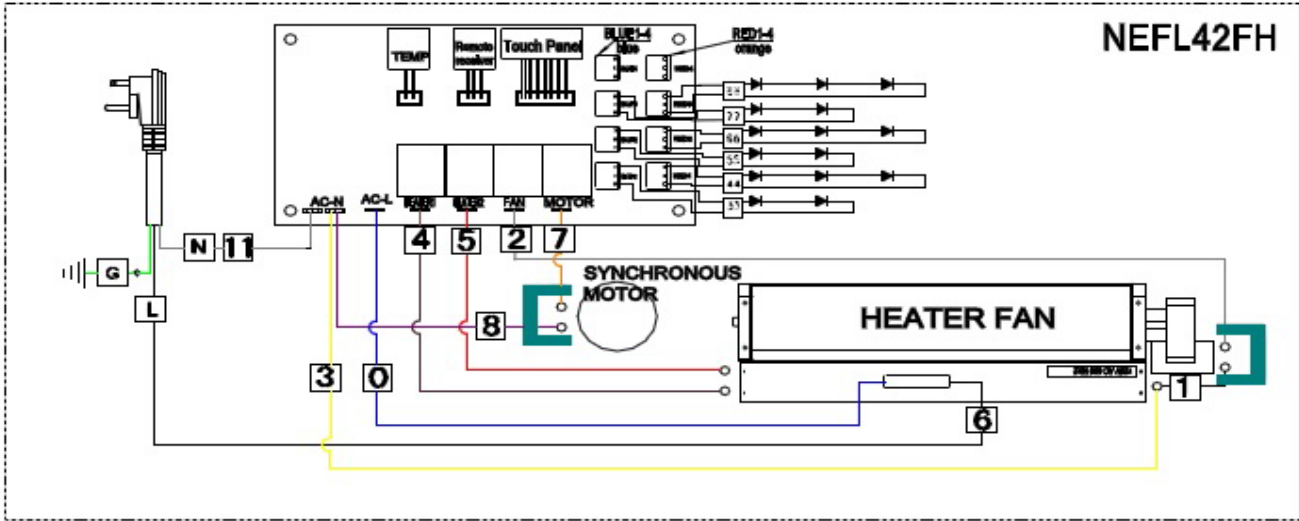
The remote control has a removable plastic tab to prolong the battery life while shipping. Remove the tab for the remote control to function.

1. To replace the existing battery, remove the battery holder.
2. To remove the battery holder, turn remote onto front side and press the left side lever towards the center while pulling the battery holder out using the slot provided.
3. Replace existing battery, type CR 2025, with a new battery and reinstall the battery holder into the remote by sliding it into position.
4. Battery cover is secure onto the remote control when a "CLICKING" noise is heard.



# ! WARNING

- Turn off the appliance completely and let cool before servicing. Only a qualified service person should service and repair this electric appliance.



## 8.0 replacement parts

### **WARNING**

- Failure to position the parts in accordance with this manual or failure to use only parts specifically approved with this appliance may result in property damage or personal injury.

Contact your dealer for questions concerning prices and policies on replacement parts. Normally, all parts can be ordered through your Authorized dealer / distributor.

**For warranty replacement parts, a photocopy of the original invoice will be required to honour the claim.**

When ordering replacement parts always give the following information:

- Model & Serial Number of appliance
- Installation date of appliance
- Part number
- Description of part
- Finish

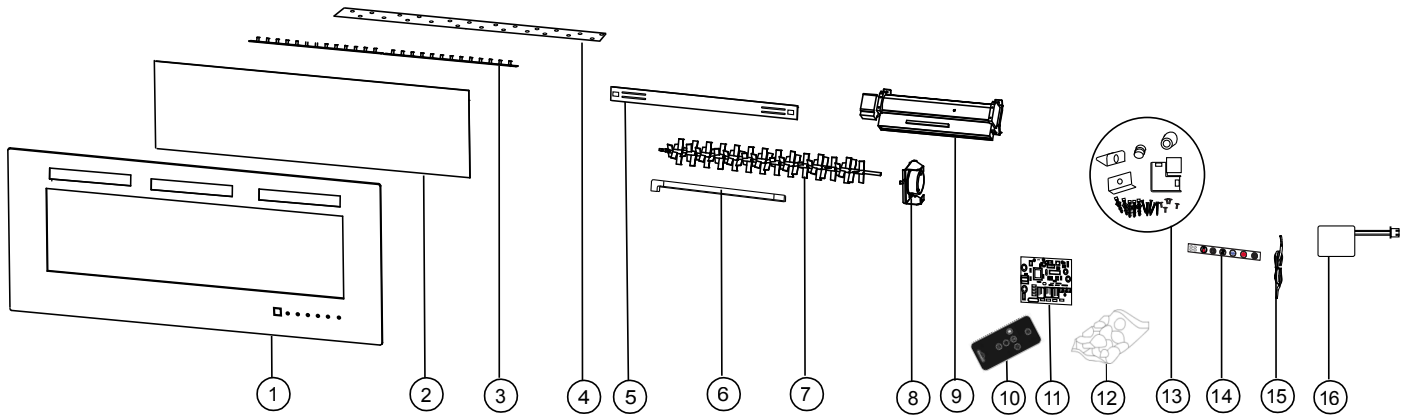
**Parts, part numbers, and availability are subject to change without notice.**

**Parts identified as stocked will be delivered within 2 to 5 business days for most delivery destinations.**

**Parts not identified as stocked will be delivered within a 2 to 4 week period, for most cases.**

**Parts identified as 'SO' are special order and can take up to 90 days for delivery.**

For after-sales service, please call 1-866-820-8686.



Items may not appear exactly as illustrated.

Ref.	NEFL42FH-MT	NEFL50FH-MT	NEFL60FH-MT	Description	Stocked
1	W715-1113	W715-1114	W715-1115	Mesh Trim	Yes
2	W475-1185	W475-1193	W475-1194	Acrylic Plastic Panel	Yes
3	W405-0033	W405-0033	W405-0033 + W405-0037	LED Light	Yes
4	W497-0013	W497-0015	W497-0016	Plastic Strip	Yes
5	W080-1616-SER	W080-1616-SER	W080-1616-SER	Wall Mounting Bracket	Yes
6	W200-0572-SER	W200-0572-SER	W200-0572-SER	Cord Cover	Yes
7	W527-0008	W527-0010	W527-0011	Reflector Spindle	Yes
8	W435-0077	W435-0077	W435-0077	Synchronous Motor	Yes
9	W010-3728	W010-3728	W010-3728	Blower and Heater Assembly	Yes
10	W190-0095	W190-0095	W190-0095	Remote Control	Yes
11	W190-0096	W190-0096	W190-0101	Circuit Board	Yes
12	W497-0020	W497-0021	W497-0022	Crystals	Yes
13	W370-0050	W370-0050	W370-0055	Hardware Kit	Yes
14	W475-1346	W475-1346	W475-1346	Control Panel (with remote receiver)	
15	W750-0371	W750-0372	W750-0373	Wire Harness	Yes
16	W690-0021	W690-0021	W690-0021	Thermostat	Yes

**note:**

Care must be taken when removing and disposing of any broken glass or damaged components. Be sure to vacuum up any broken glass from inside the appliance before operation.

## 9.0 troubleshooting

### WARNING

- Turn off the appliance completely and let cool before servicing. Only a qualified service person should service and repair this electric appliance.

SYMPTOM	PROBLEM	TEST SOLUTION
Dim or no flame / Ember bed is not glowing or dimming	LED's are burnt out or malfunctioning	Inspect the LED's and replace them if necessary
No warm air coming out of appliance	Room temperature is higher than the appliance setting (if it is set to room temperature)	Reset temperature setting
	Heater is burnt out	Inspect the burner and heater assembly and replace it if necessary
Appliance turns off and will not turn on	Appliance has overheated and safety thermal switch has tripped	Unplug power cord and allow appliance to cool for 15 minutes, then plug in the power cord and turn the power ON.
	House circuit breaker has tripped	Reset house circuit breaker
Appliance will not come on when Power button is turned ON.	Appliance is not plugged into an electrical outlet	Check plug and plug it in
	Appliance has overheated and safety thermal switch has tripped	Unplug power cord and allow appliance to cool for 15 minutes, then plug in the power cord and turn the power ON.
	Circuit board is burnt out	Inspect the circuit board and replace it if necessary
Remote control does not work	Low batteries	Replace batteries in remote control
Heater shuts off automatically	Room is too warm	The heater has a built-in thermostat so it will shut off automatically once the pre-set temperature is reached. It will also turn on automatically if the room temperature drops below the pre-set temperature



**Napoleon** electric appliances are manufactured under the strict Standard of the world recognized ISO 9001 : 2015 Quality Management System.

**Napoleon** products are designed with superior components and materials and assembled by trained craftsmen who take great pride in their work. Once assembled, the complete appliance is thoroughly inspected by a qualified and authorized installer, service agency, or supplier before packing to ensure that you, the customer, receive the quality product that you expect from **Napoleon**.

### Napoleon Electric Appliance Limited Warranty

Electrical components and wearable parts are covered and **Napoleon** will provide replacement parts free of charge during the first year of limited warranty. This covers: fan/heaters, motors, switches, nylon bearing components, remote controls, and LED lights.\*

Light bulbs and fuses are NOT covered by the warranty.

Any labour related to warranty repair is not covered.

\* Construction of models vary. Warranty applies only to components included with your specific appliance.

### Conditions and Limitations

**Napoleon** warrants its products against manufacturing defects to the original purchaser only. Registering your warranty is not necessary. Simply provide your proof of purchase along with the model and serial number to make a warranty claim. Provided that the purchase was made through an authorized **Napoleon** dealer, your appliance is subject to the following conditions and limitations:

Warranty coverage begins on the date of original installation.

This factory warranty is non-transferable and may not be extended whatsoever by any of our representatives.

Installation must be done in accordance with the installation instructions included with the product and all local and national building and fire codes.

This limited warranty does not cover damages caused by misuse, lack of maintenance, accident, alterations, abuse, or neglect and parts installed from other manufacturers will nullify this warranty.

This limited warranty further does not cover any scratches, dents, corrosion, or discolouring caused by excessive heat, abrasive and chemical cleaners, nor chipping on porcelain enamel parts, mechanical breakage of PHAZER™ logs.

In the first year only, this warranty extends to the repair or replacement of warranted parts which are defective in material or workmanship, provided that the product has been operated in accordance with the operation instructions and under normal conditions.

**Napoleon** will not be responsible for installation, labour, or any other expenses related to the reinstallation of a warranted part, and such expenses are not covered by this warranty. Notwithstanding any provisions contained in the Limited Warranty, **Napoleon** responsibility under this warranty is defined as above, and it shall not in any event extend to any incidental, consequential, or indirect damages.

This warranty defines the obligations and liability of **Napoleon** with respect to the **Napoleon** electric appliance and any other warranties expressed or implied with respect to this product; its components or accessories are excluded.

**Napoleon** neither assumes, nor authorizes any third party to assume, on its behalf, any other liabilities with respect to the sale of this product.

Any damages to appliance, brass trim or other component due to water, weather damage, long periods of dampness, condensation, damaging chemicals, or cleaners will not be the responsibility of **Napoleon**.

**Napoleon** reserves the right to have its representative inspect any product or part thereof prior to honouring any warranty claim.

All parts replaced under the Limited Warranty Policy are subject to a single claim.

All parts replaced under the warranty will be covered for a period of 90 days from the date of their installation.

The manufacturer may require that defective parts or products be returned or that digital pictures be provided to support the claim. Returned products are to be shipped prepaid to the manufacturer for investigation. If a product is found to be defective, the manufacturer will repair or replace such defect.

Before shipping your appliance or defective components, your dealer must obtain an authorization number. Any merchandise shipped without authorization will be refused and returned to sender.

Shipping costs are not covered under this warranty.

Additional service fees may apply if you are seeking warranty service from a dealer.

All specifications and designed are subject to change without prior notice due to on-going product improvements. **Napoleon** is a registered trademark of Wolf Steel Ltd.

# NAPOLEON CELEBRATING OVER 40 YEARS OF HOME COMFORT PRODUCTS



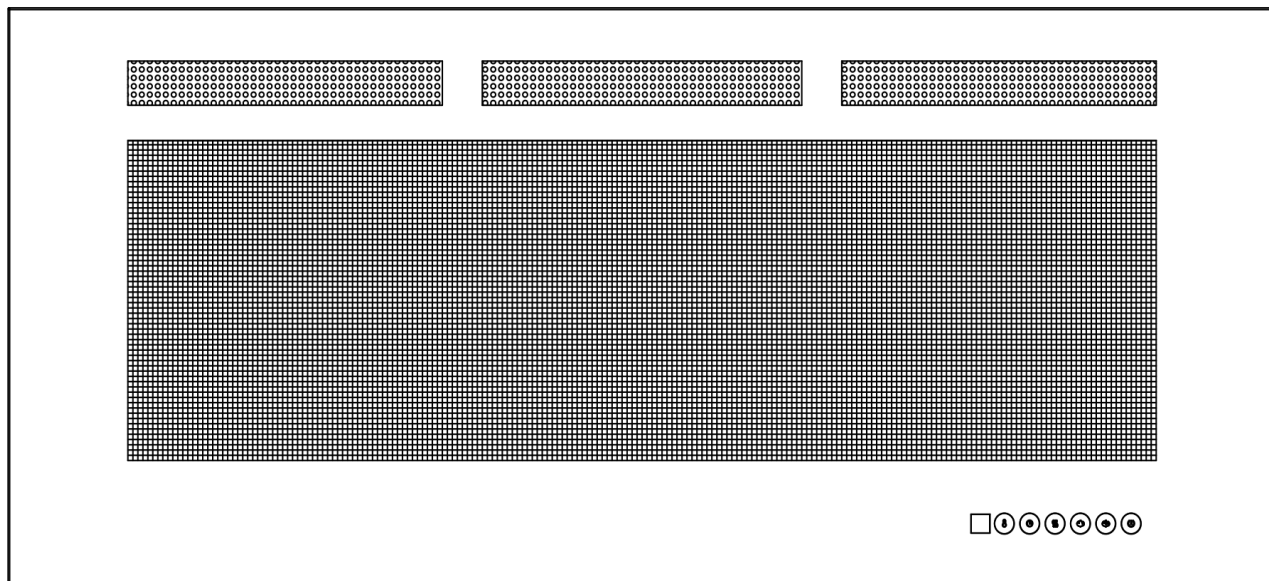
7200, Route Transcanadienne, Montréal, Québec H4T 1A3  
24 Napoleon Road, Barrie, Ontario, Canada L4M 0G8  
214 Bayview Drive, Barrie, Ontario, Canada L4N 4Y8  
103 Miller Drive, Crittenden, Kentucky, USA 41030

Phone: 1-866-820-8686  
[napoleonproducts.com](http://napoleonproducts.com)



# MANUEL D'INSTALLATION ET D'OPÉRATION

Série Allure<sup>MD</sup> Phantom  
(NEFL50FH-MT Illustré)



## CONSIGNES DE SÉCURITÉ

### **AVERTISSEMENT**

#### **RISQUE D'INCENDIE OU D'EXPLOSION**

Si ces instructions ne sont pas suivies à la lettre, un incendie pourrait s'ensuivre causant des dommages matériels, des blessures corporelles ou des pertes de vie.

- N'entreposez pas et n'utilisez pas d'essence ou autres liquides et vapeurs inflammables à proximité de cet appareil ou tout autre appareil.

#### **INSTALLATEUR:**

Laissez ce manuel avec l'appareil

#### **PROPRIÉTAIRE:**

Conservez ce manuel pour consultation ultérieure.



Cet appareil dispose d'une télécommande qui nécessite des piles à bouton qui sont dangereuses pour les jeunes enfants.

## POUR L'UTILISATION INTÉRIEUR SEULEMENT

CERTIFIÉ SELON LES NORMES NATIONALES CANADIENNES ET AMÉRICAINES:  
CSA 22.2 NO. 46 / UL 1278



Wolf Steel Ltd., 24 Napoleon Rd., Barrie, ON, L4M 0G8 Canada / 103 Miller Drive, Crittenden, Kentucky, USA, 41030  
Téléphone 1 (866) 826 8686 • www.napoleonfoyers.com • hearth@napoleonproducts.com

## AVERTISSEMENT

- **Si équipé avec un chauffage, cet appareil peut être chaud lorsqu'il fonctionne et peut causer de graves brûlures en cas de contact.**
- Ne faites pas fonctionner l'appareil avant d'avoir lu et compris les instructions d'utilisation. L'incapacité de respecter les instructions pourrait causer un incendie ou des blessures corporelles.
- N'installez pas de composants endommagés ou incomplets, ni des composants de substitution.
- Ne brûlez pas de bois ou autres matériaux dans cet appareil.
- Tous les appareils électriques contiennent des composants internes qui deviennent chauds et qui produisent des étincelles. N'utilisez pas cet appareil dans des endroits où de l'essence, des peintures ou d'autres liquides inflammables sont présents.
- Les grillages de sécurités ou écrans enlevés pour faire l'entretien devront être remis en place avant d'utiliser l'appareil.
- Il est primordial de garder propres les compartiments de contrôle, les brûleurs, la soufflerie, les bouches d'air de l'appareil ainsi que le système d'évacuation. L'appareil et son système d'évacuation doivent être inspectés avant la première utilisation et au moins une fois l'an par un spécialiste en entretien. Un entretien plus fréquent pourrait être nécessaire en raison des peluches provenant des tapis, literie, etc. L'emplacement de l'appareil doit être gardé libre de tous matériaux combustibles, essence ou autres liquides et vapeurs inflammables.
- Cet appareil ne devra être modifié en aucun cas.
- N'utilisez pas cet appareil si une partie quelconque a été submergée. Contactez immédiatement un technicien de service qualifié pour inspecter l'appareil et pour remplacer toute pièce du système de contrôle qui aurait été submergée.
- Si équipé avec une porte vitrée, n'opérer pas l'appareil lorsque la porte vitrée est enlevée, fissurée ou brisée. Le remplacement de la vitre devra être effectué par un technicien de service certifié ou qualifié.
- Si équipé avec un porte vitrée, ne frappez pas et ne claquez pas la porte vitrée de l'appareil.
- Les matériaux d'emballage doivent être gardés hors de la portée des enfants et mis au rebut de façon sécuritaire. Comme tous les emballages de plastique, ceux-ci ne sont pas des jouets et doivent demeurer hors de la portée des enfants et des bébés.
- L'entretien ne doit être effectué que lorsque l'appareil est débranché du circuit électrique.
- Débranchez toujours l'appareil lorsqu'il n'est pas utilisé.
- N'utilisez pas l'appareil si le cordon d'alimentation ou la fiche sont endommagés, s'il ne fonctionne pas bien, ou s'il a été échappé ou endommagé d'une quelconque façon. Retournez l'appareil à un centre de service autorisé pour une inspection, des ajustements électriques ou mécaniques ou une réparation.
- N'utilisez pas cet appareil à l'extérieur.
- Lorsque vous installez cet appareil dans une pièce où l'eau est présente, l'installation doit se conformer aux codes reconnaissant le risque accru de décharge électrique et d'électrocution.

**note:**

Cet appareil NE PEUT PAS être installé dans une salle de bain.

- Ne passez pas le cordon d'alimentation sous un tapis. Ne recouvrez pas le cordon avec des carpettes, des tapis de couloir ou autres revêtements similaires. Évitez de placer le cordon dans un endroit passant ou à un endroit où il risque de causer des chutes.
- Branchez seulement dans une prise de courant adéquatement mise à la terre.
- N'insérez pas d'objets dans les ouvertures d'entrée d'air ou de sortie d'air puisque cela risque d'endommager l'appareil ou causer des chocs électriques ou un incendie.
- Il est normal que votre appareil électrique produise du bruit, surtout s'il est installé dans un endroit calme comme un chambre à coucher.

**! AVERTISSEMENT**

- Pour prévenir les risques d'incendie, ne bloquez pas les entrées d'air et les sorties d'air de quelque manière que ce soit. Ne placez pas cet appareil sur une surface molle telle qu'un tapis où les ouvertures pourraient se bloquer.
- Toujours brancher l'appareil directement dans une prise murale. N'utilisez pas de cordons d'alimentation ou une robinet d'alimentation relogeables (alimentation/multiprise).
- Cet appareil a été testé et homologué pour usage avec les accessoires optionnels listés dans ce manuel uniquement. L'utilisation d'accessoires optionnels qui n'ont pas été spécifiquement testés pour cet appareil électrique annulera la garantie de l'appareil et/ou présentera des risques pour la sécurité.

**Pour les appareil équipé avec chauffage:**

- Risque de brûlures. L'appareil doit être éteint et refroidi avant d'effectuer l'entretien. Pour débrancher l'appareil, mettez d'abord les boutons de contrôle à « OFF » puis retirez la fiche de la prise de courant.
- Les jeunes enfants doivent être supervisés attentivement lorsqu'ils sont dans la même pièce que l'appareil recommandés s'il y a dans la maison des individus à risque. Les jeunes enfants et autres personnes sont sujets aux brûlures accidentelles. Une barrière de protection est recommandée s'il y a dans la maison des individus à risque. Afin de restreindre l'accès à l'appareil, installez une barrière de protection ajustable pour garder les jeunes enfants ou autres personnes à risque hors de la pièce et loin des surfaces chaudes.
- Les vêtements et autres matériaux combustibles ne doivent pas être posés sur l'appareil ou à proximité.
- En raison des températures élevées, l'appareil devrait être placé loin des endroits passants et loin des meubles et des rideaux.
- Assurez-vous de disposer de mesures de sécurité adéquates pour empêcher les jeunes enfants de toucher aux surfaces chaudes.
- Même lorsque l'appareil est éteint, la porte et l'écran de meureront chauds pendant un bon moment.
- Consultez votre détaillant local de foyer pour connaître les grillages de sécurité et les écrans offerts pour protéger les enfants des surfaces chaudes. Ces grillages de sécurité et ces écrans doivent être fixés au plancher.
- Assurez-vous de respecter les dégagements aux matériaux combustibles lorsque vous installez un manteau ou des tablettes au-dessus de l'appareil. Les téléviseurs et autres composants électroniques sournis à des températures élevées peuvent fondre, se déformer, se décolorer et entraîner des défaillances prématurées de ces appareils.

**! AVERTISSEMENT:** Ce produit peut vous exposer à des substances chimiques incluant le plomb et les composés de plomb qui, selon l'État de Californie, causeraient le cancer, et des substances chimiques incluant le BBP et DEHP qui, selon d'État de Californie, causeraient des malformations congénitales ou autres dangers pour la reproduction. Pour de plus amples renseignements, visitez le [www.P65Warnings.ca.gov](http://www.P65Warnings.ca.gov).



# table de matières

FR

<b>1.0</b>	<b>informations générales</b>	<b>31</b>
1.1	dimensions	31
1.2	information produit	31
1.3	homologations	31
1.4	instructions générales	32
1.5	déballage et vérification de l'appareil	32
1.6	liste de pièces	33
1.7	information à propos de la plaque d'homologation	34
<b>2.0</b>	<b>emplacement de l'appareil</b>	<b>35</b>
2.1	mise à la terre de l'appareil	35
<b>3.0</b>	<b>installation</b>	<b>36</b>
3.1	dégagements minimaux aux matériaux combustibles	36
3.2	dégagements minimaux à la tablette	36
3.3	ossature	37
3.4	installation de l'appareil sur le mur	38
3.5	encastrement de l'appareil dans le mur	39
3.6	installation de l'appareil dans une tablette	40
3.6.1	installation des pieds en caoutchouc	41
3.7	branchement par câble	42
<b>4.0</b>	<b>finitions</b>	<b>43</b>
4.1	l'installation de la garniture de grillage d'avant	43
4.2	l'enlèvement de la garniture de grillage d'avant	44
4.3	l'installation des braises de verre concassé	44
<b>5.0</b>	<b>instructions de fonctionnement</b>	<b>45</b>
5.1	bouton d'alimentation principal	45
5.2	utilisation du panneau de contrôle	45
<b>6.0</b>	<b>entretien</b>	<b>46</b>
6.1	installation de la pile de la télécommande	46
<b>7.0</b>	<b>schéma de câblage</b>	<b>47</b>
<b>8.0</b>	<b>pièces de rechanges</b>	<b>48</b>
<b>9.0</b>	<b>guide de dépannage</b>	<b>50</b>
<b>10.0</b>	<b>garantie</b>	<b>51</b>



Les piles doivent être mises au rebut conformément aux lois et à la réglementation locales. Certaines piles peuvent être recyclées dans votre centre de recyclage local. Renseignez-vous auprès de votre municipalité au sujet des directives de recyclage.

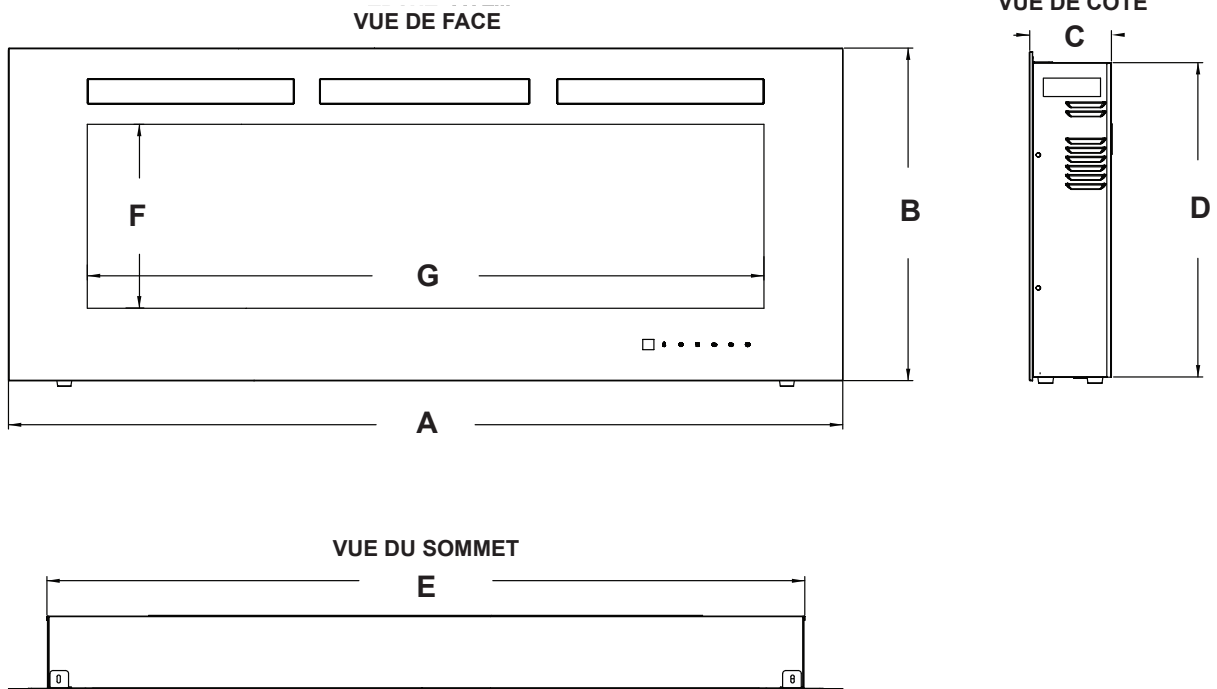
## note:

L'information contenue dans ce manuel est jugée correcte au moment de l'impression. Wolf Steel Ltd. se réserve le droit de modifier ou de modifier toute information contenue dans ce manuel à tout moment sans préavis. Les modifications, autres que les éditoriaux, sont désignées par une ligne verticale dans la marge.

# 1.0 informations générales

FR

## 1.1 dimensions



## 1.2 information produit

DIMENSIONS							
NO. DU MODÈLE	A	B	C	D	E	F	G
NEFL42FH-MT	42" (1067mm)	21 5/8" (550mm)	5 1/3" (136mm)	20 1/2" (520mm)	37 1/2" (951mm)	12" (304mm)	32 8/16" (827mm)
NEFL50FH-MT	50" (1270mm)	21 5/8" (550mm)	5 1/3" (136mm)	20 1/2" (520mm)	45 7/16" (1154mm)	12" (304mm)	40 1/2" (1030mm)
NEFL60FH-MT	60" (1524mm)	21 5/8" (550mm)	5 1/3" (136mm)	20 1/2" (520mm)	55 5/16" (1405mm)	12" (304mm)	50 5/8" (1287mm)

NO. DE MODÈLE	POIDS NET	POIDS BRUT
NEFL42FH-MT	44,3 lb (20,1 kg)	60,2 lb (27,3 kg)
NEFL50FH-MT	50,9 lb (23,1 kg)	63,4 lb (29,2 kg)
NEFL60FH-MT	61,3 lb (27,8 kg)	73,4 lb (33,3 kg)

<b>Description</b>	Appareil Électrique
<b>Type</b>	Il existe 3 façons d'installer l'appareil: Montage mural, encastré dans le mur et assembler avec tablette
<b>Tension</b>	120V AC
<b>Puissance</b>	MAX 1500W
<b>Ampères</b>	15 A circuit mis à la terre

## 1.3 homologations

Cet appareil a été testé selon les normes CSA pour les appareils électriques installés de façon permanente aux États-Unis et au Canada. Si vous avez besoin d'assistance durant l'installation, veuillez contacter votre détaillant local.

### note:

Cet appareil doit être raccordé électriquement et mis à la terre selon les codes locaux ou, en l'absence de tels codes, avec le National Electrical Code ANSI/NFPA 70-la dernière édition aux États-Unis ou le Code canadien de l'électricité CSA C22.1 au Canada.

# informations générales

## FR 1.4 instructions générales

- Avant de brancher votre appareil dans une prise de courant, vérifiez si le disjoncteur de la maison pour ce circuit est allumé.
- Il est possible que l'appareil dégage une légère odeur inoffensive lors de la première utilisation. Cela est une condition normale causée par le chauffage initial des éléments de l'appareil. Elle ne se reproduira plus.
- Si votre appareil n'émet pas de chaleur lorsqu'il est sollicité, consultez la section « fonctionnement » de ce manuel pour de plus amples renseignements.
- Utilisez avec un limiteur de surtension certifié CSA ou UL.
- Ne faites pas passer le cordon d'alimentation directement sous l'appareil.

Cet appareil électrique répond aux normes de construction et de sécurité du H.U.D. pour des applications dans des maisons préfabriquées lorsque installé selon ces instructions.

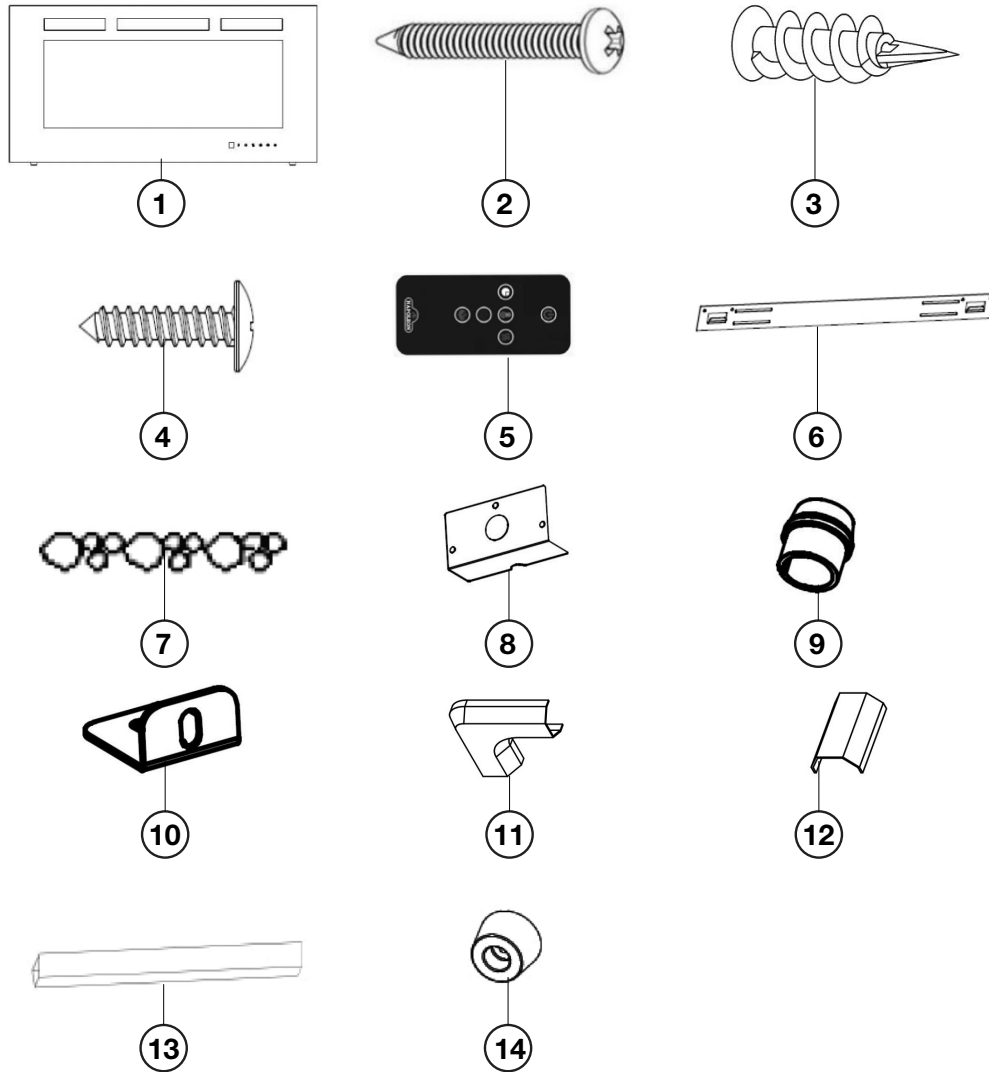
**Comme avec la plupart des appareils électroniques, votre nouveau appareil électrique a été conçu pour fonctionner à des températures comprises entre 5°C (41°F) et 35°C (95°F). Pendant les mois froids de l'hiver, la cheminée permet d'atteindre la température ambiante avant de l'allumer.**

## 1.5 déballage et vérification de l'appareil

Retirez soigneusement l'appareil de la boîte. Avant d'installer l'appareil, assurez-vous qu'il fonctionne bien en branchant le cordon d'alimentation dans une prise de courant mise à la terre de 120 V.



1.6 liste de pièces



Réf.	Description	Quantité		
		NEFL42FH-MT	NEFL50FH-MT	NEFL60FH-MT
1	Appareil	1	1	1
2	Vis à Bois	6	6	12
3	Ancrages pour Cloisons Sèches	6	6	12
4	Vis Métalliques ST 4 x 12	8	8	8
5	Télécommande	1	1	1
6	Support Mural	1	1	2
7	Cristaux	2	2	2
8	Plaque de Couverture	1	1	1
9	Décharge de Traction	1	1	1
10	Support Métallique	4	4	4
11	Cache du Cordon	2	2	2
12	Coupleur de Cordon	2	2	2
13	Coin de Cordon	2	2	2
14	Pied en Caoutchouc	4	4	6

# informations générales

## FR 1.7 information à propos de la plaque d'homologation

CERTIFIED UNDER CANADIAN AND AMERICAN NATIONAL STANDARD: CSA 22.2 NO. 46 AND UL 2021 / HOMOLOGUÉ SELON LES NORMES NATIONALES CANADIENNES ET AMÉRICAINES: CSA 22.2 NO. 46 UL 2021	
ELECTRIC FIREPLACE. SUITABLE FOR BEDROOM AND BED-SITTING ROOM INSTALLATION. SUITABLE FOR MOBILE HOME INSTALLATION.	FOYER À ÉLECTRIQUE. HOMOLOGUÉ POUR INSTALLATION DANS UNE CHAMBRE À COUCHER, UNE SALLE DE BAIN ET UN STUDIO. APPROPRIÉ POUR INSTALLATION DANS UNE MAISON MOBILE.
<b>MASTER CONTRACT: 161746</b>	<b>CONTRAT-CADRE: 161746</b>
 C US MODELS / MODÈLES	
<input type="checkbox"/> NEFL32FH-MT <input type="checkbox"/> CEFL32FH-MT	<input type="checkbox"/> NEFL60FH-MT <input type="checkbox"/> CEFL60FH-MT
<input type="checkbox"/> NEFL42FH-MT <input type="checkbox"/> CEFL42FH-MT	<input type="checkbox"/> NEFL72FH-MT <input type="checkbox"/> CEFL72FH-MT
<input type="checkbox"/> NEFL50FH-MT <input type="checkbox"/> CEFL50FH-MT	<input type="checkbox"/> NEFL100FH-MT <input type="checkbox"/> CEFL100FH-MT
<b>VOLTAGE:</b> 120 VAC	<b>TENSION:</b> 120VCA
<b>FREQUENCY:</b> 60Hz	<b>FRÉQUENCE:</b> 60Hz
<b>POWER:</b> 1500W	<b>PUISSANCE:</b> 1500W
<b>DATE CODE:</b>	<b>CODE DE DATE:</b>
DESIGNED IN NORTH AMERICA	DÉSIGN AMÉRIQUE DU NORD
BY WOLF STEEL LTD.	PAR WOLF STEEL LTÉE.
<b>WOLF STEEL LTD.</b>	<b>MADE IN CHINA</b>
24 NAPOLEON ROAD, BARRIE, ON, L4M 0G8 CANADA	FABRIQUÉ EN CHINE
<b>SERIAL NUMBER/NO. DE SÉRIE:</b> NEFL	W385-2162

Cette illustration est à titre de référence seulement. Consultez la plaque d'homologation pour obtenir l'information précise.

**note:**

Le plaque d'homologation doit rester avec l'appareil à tout le temps. Il ne doit pas être enlevé.

### **! AVERISSEMENT**

- En raison des températures élevées, l'appareil devrait être placé loin des endroits apssants. Gardez tous les articles combustibles tels que les meubles, les oreillers, la literie, le papier, les vêtements et les rideaux à une distance d'au moins 3 pieds (0,9m) de la façade de l'appareil.
- Ne placez jamais l'appareil électrique à un endroit où il risque de tomber dans une baignoire ou tout autre réservoir contenant de l'eau.
- Portez des gants de protection et des lunettes de sécurité lors de l'installation et de l'entretien.
- Afin d'éviter tout contact avec de l'isolant qui s'affaisse, l'appareil électrique ne doit pas être installé contre un coupe-vapeur ou de l'isolant à découvert. Une surchauffe localisée peut survenir et un incendie pourrait s'ensuivre.
- L'appareil électrique ne doit pas être exposé aux conditions extérieures (par ex. la pluie, la neige, etc.).

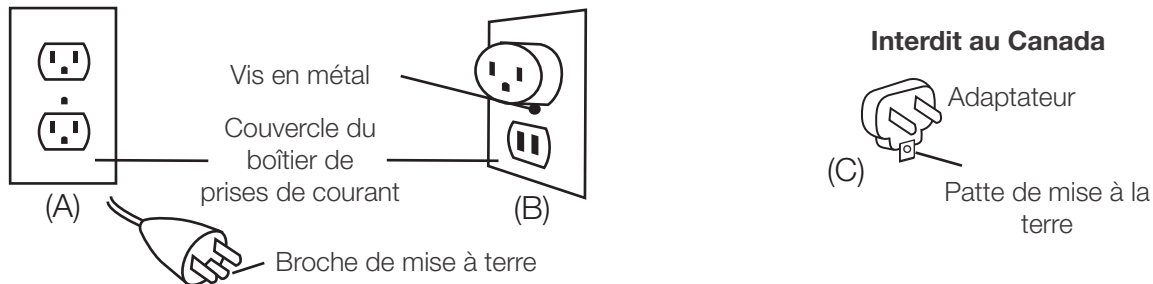
### 2.1 mise à la terre de l'appareil

Cet appareil doit être branché sur un circuit de 120 volts. Son cordon d'alimentation est équipé d'une fiche comme illustré en (A) ci-contre. Un adaptateur, tel qu'illustré en (C), est disponible pour brancher des fiches à trois branches avec mise à la terre dans des prises à deux fentes, tel qu'illustré en (B).

La patte verte de mise à la terre de l'adaptateur doit être branchée dans une prise de courant mise à la terre de façon permanente telle qu'un boîtier de prises de courant mis à la terre. L'adaptateur ne doit pas être utilisé si une prise de courant mise à la terre à trois fentes est disponible.

Pour débrancher l'appareil, mettez les boutons de contrôle à « OFF » puis retirez la fiche de la prise du courant.

#### Méthodes de mise à la terre



## 3.0 installation

FR

### ⚠ AVERTISSEMENT

- Risque d'incendie! Le cordon d'alimentation ne doit pas être coincé contre une arrête vive. Fixez le cordon pour éviter les chutes ou les accrochages afin de réduire le risque d'incendie, de choc électrique ou de blessures corporelles. Ne passez pas le cordon d'alimentation sous un tapis. Ne recouvrez pas le cordon avec des carpettes, des tapis de couloir ou autres revêtements similaires. Évitez de placer le cordon dans un endroit passant ou à un endroit où il risque de causer des chutes.
- Risque d'incendie! Pour prévenir les risques d'incendie, ne bloquez pas les entrées d'air et les sorties d'air de quelque manière que ce soit. Ne placez pas cet appareil sur une surface molle où les ouvertures pourraient se bloquer.
- Risque d'incendie! Ne soufflez pas ou ne placez pas d'isolant contre l'appareil.
- Cet appareil électrique a été testé et homologué pour usage avec les accessoires optionnels listés dans ce manuel uniquement. L'utilisation d'accessoires optionnels qui n'ont pas été spécifiquement testés pour cet appareil électrique annulera la garantie de l'appareil et/ou présentera des risques pour la sécurité.
- Si ces instructions ne sont pas suivies à la lettre, un incendie ou une explosion pourraient s'ensuivre, causant des dommages matériels, des blessures corporelles ou des pertes de vie. N'entrez pas et n'utilisez pas d'essence ou autres vapeurs inflammables à proximité de cet appareil ou tout autre appareil.
- Étant donné la lourdeur de cet appareil, il est recommandé que deux personnes en fassent l'installation.
- Si votre appareil est équipé avec chauffage, assurez-vous que les ouvertures de la chauffage ne peut pas, dans aucune façon, être recouverts car il peut provoquer un incendie.
- N'exécutez pas le cordon d'alimentation horizontalement, directement en dessous de l'appareil.

Votre appareil est fixé au mur, encadré et/ou un appareil installé avec tablette. Choisir un emplacement convenable qui n'est pas susceptible à l'humidité et est loin des tentures, les meubles et les hauts secteurs de circulation.

**note:**

Suivez tous les codes électriques nationaux et locaux.

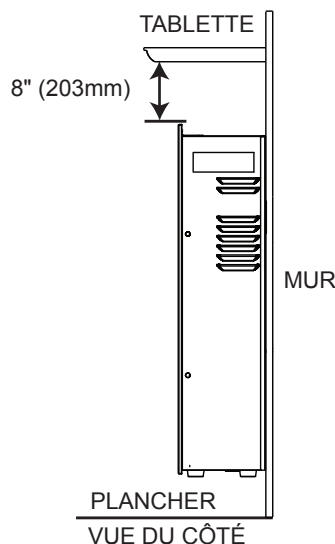
### 3.1 dégagements minimaux aux matériaux combustibles

Les mesures sont prises à partir de la garniture de grillage d'avant:			
Dessous	0"	Haut	8" (203mm) au tablette
Côtés	0"	Haut	8" (203mm) au plafond
Arrière	0"		

### 3.2 dégagements minimaux à la tablette

#### ⚠ AVERTISSEMENT

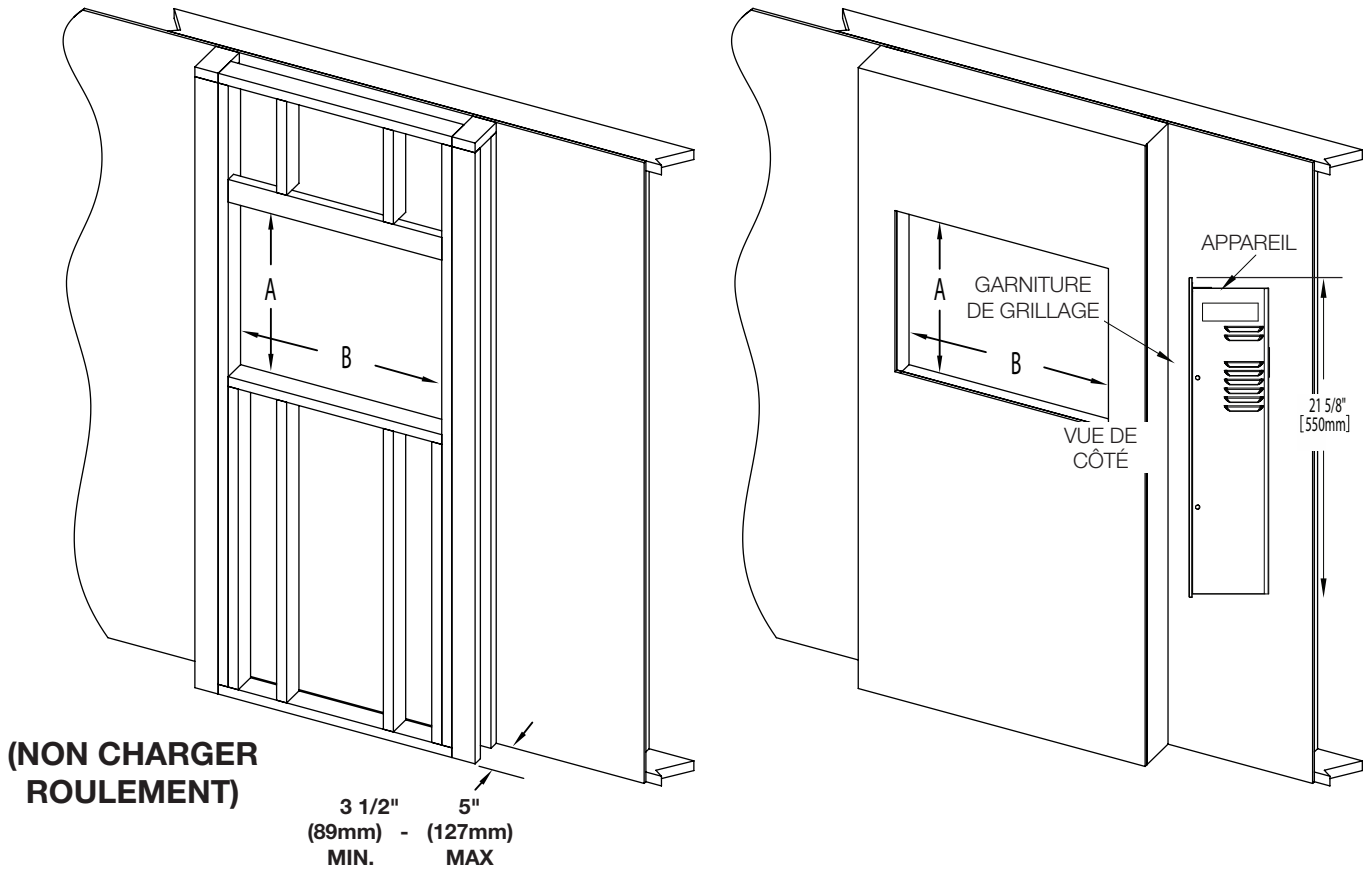
- Lors de l'utilisations de la peinture ou laque pour la finition de la tablette, la peinture ou laque doivent être résistants à la chaleur pour empêcher la décoloration. Peintures / lacques de couleur plus légers peuvent se décolorer.



3.3 ossature

Les mesures sont prises du corps de l'appareil:	
Côtés, l'arrière et le sommet	0"

Matériels de Finition



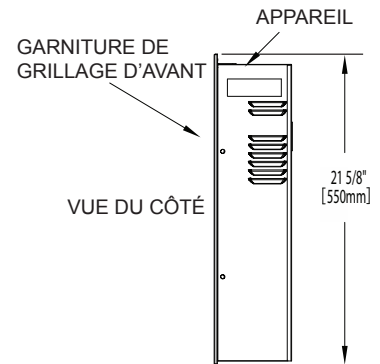
NO. DE MODÈLE	A	B
NEFL42FH-MT	21" (53,5cm)	38" (96,5cm)
NEFL50H-MT	21" (53,5cm)	45 15/16" (116,6cm)
NEFL60H-MT	21" (53,5cm)	55 13/16" (141,8cm)

# installation

## FR 3.4 installation de l'appareil sur le mur

Puisque les murs peuvent être recouverts de divers matériaux, nous vous conseillons fortement de retenir les services d'un professionnel qualifié pour ces travaux.

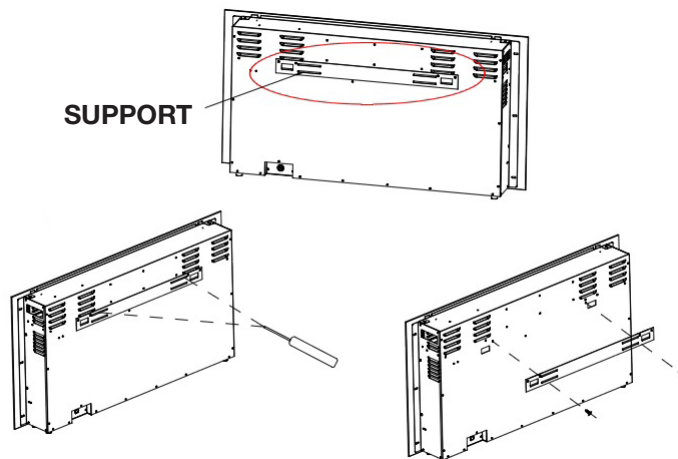
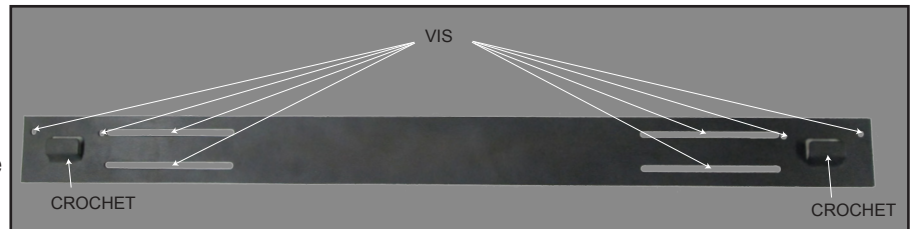
- A. Choisissez un endroit non sujet à l'humidité et situé à au moins 36" (91,4cm) des articles combustibles, tels que les rideaux, meubles, literie, papier, etc.
- B. Demandez à 2 personnes d'appuyer et de maintenir l'appareil contre le mur pour en déterminer l'emplacement définitif.
- C. Enlevez le support de fixation de l'arrière de l'appareil en l'enlevant les 2 vis (voir les illustrations ci-dessous).
- D. Marquez la position, puis montez et utilisez pour apposer sur le mur utilisant les 6 vis fournis. C'est **NÉCESSAIRE** pour le support muni d'avoir les crochets nivelés et orientés vers l' haut.



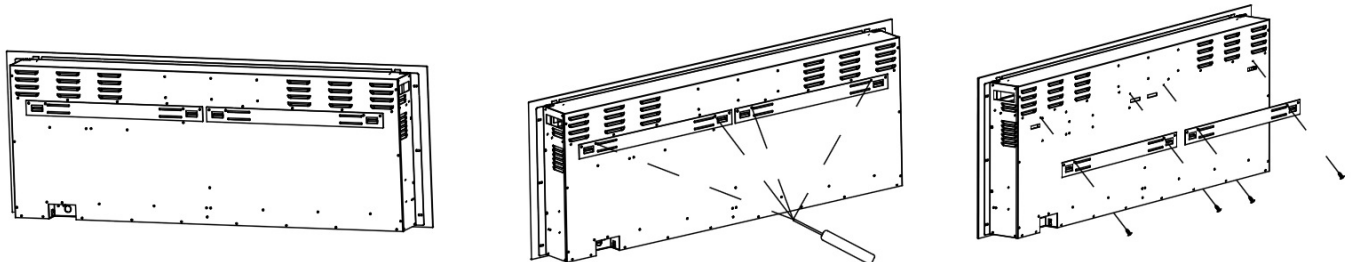
### note:

Il est fortement recommandé que vous vissiez le support de montage dans les montants du mur où possible. Si les montants du mur ne peuvent pas être utilisés, assurez-vous que les ancrages en plastique fournis sont utilisés pour le fixer le support au mur et le support est assuré de manière adéquate.

- E. Après l'installation du support muni, soulevez l'appareil avec 2 personnes et insérez les 2 crochets aux encoches des supports à l'arrière de l'appareil.
- F. Vérifiez la stabilité de l'appareil en vous assurant que l'appareil est bien ancré dans le mur et que l'appareil ne tombera pas.



NEFL42/50FH-MT ILLUSTRÉE



NEFL60FH-MT ILLUSTRÉE

## 3.5 encastrement de l'appareil dans le mur

En raison de trop de matériels finis différents utilisés sur les murs, il est extrêmement recommandé que vous consultiez votre constructeur local avant que vous installiez cet appareil dans le mur.

Choisissez un endroit non sujet à l'humidité et situé à au moins 36" (91,4cm) des articles combustibles, tels que les rideaux, meubles, literie, papier, etc.

- A. Mesurez l'appareil et créez une esquisse pour le câblage électrique.
- B. Retirez la garniture de grillage d'avant (voir la section « l'enlèvement de la garniture de grillage d'avant »).
- C. Tenez l'appareil en haut en face de l'ossature pour assurer qu'il rentre dans l'ossature.
- D. Si l'appareil est entièrement encastré dans le mur:
  - Vous devez plier l'onglets plat (**Fig. 3, page suivante**).
  - Utilisez les 6 vis (fournies) pour verrouiller l'appareil dans le mur avec les 2 supports existants (fournies) (**Fig. 1**).
  - Installer les composants décoratif et réinstaller la garniture de grillage d'avant.
- E. Si l'appareil n'est pas entièrement encastré dans le mur:
  - Utilisez les 2 supports (fournies) pour verrouiller l'appareil au mur (**Fig. 2**).

**note:**

2 séries de trous sont prévus. La structure de la paroi peut limiter l'étendue de l'appareil peut être encastré. Utilisez l'ensemble approprié des trous pour l'encastrement aux cadre. Il peut être nécessaire d'utiliser les 4 trous en haut et en bas.

Fig. 1

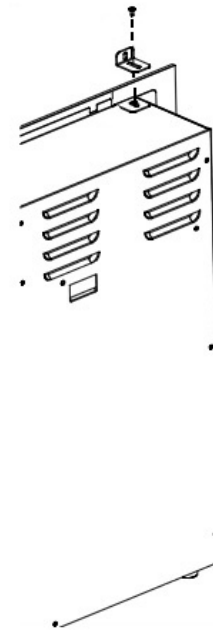
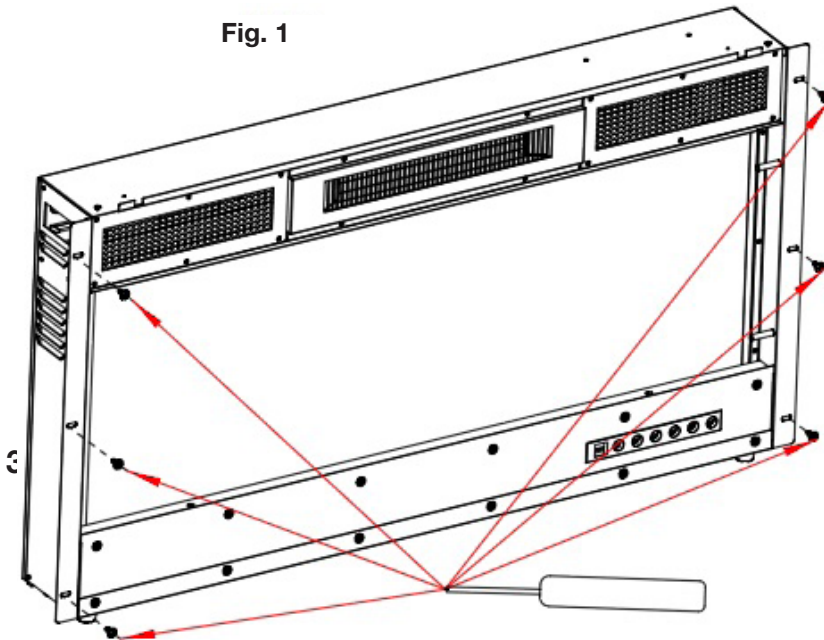


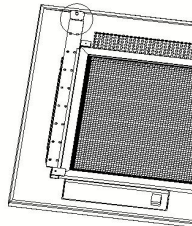
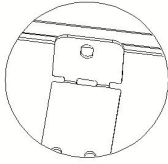
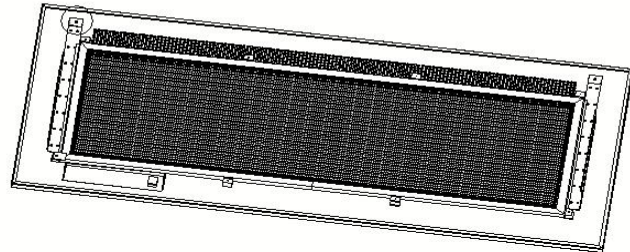
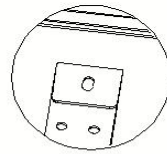
Fig. 2

**note:**

Il est recommandé que les murs de la clôture de l'appareil aient fini (c.-à-d. cloison sèche) pour éviter la possibilité d'isolation exposée ou la barrière de vapeur qui entre en contact avec le corps de l'appareil. Ceci garantira que le dégagement aux combustibles est maintenu.

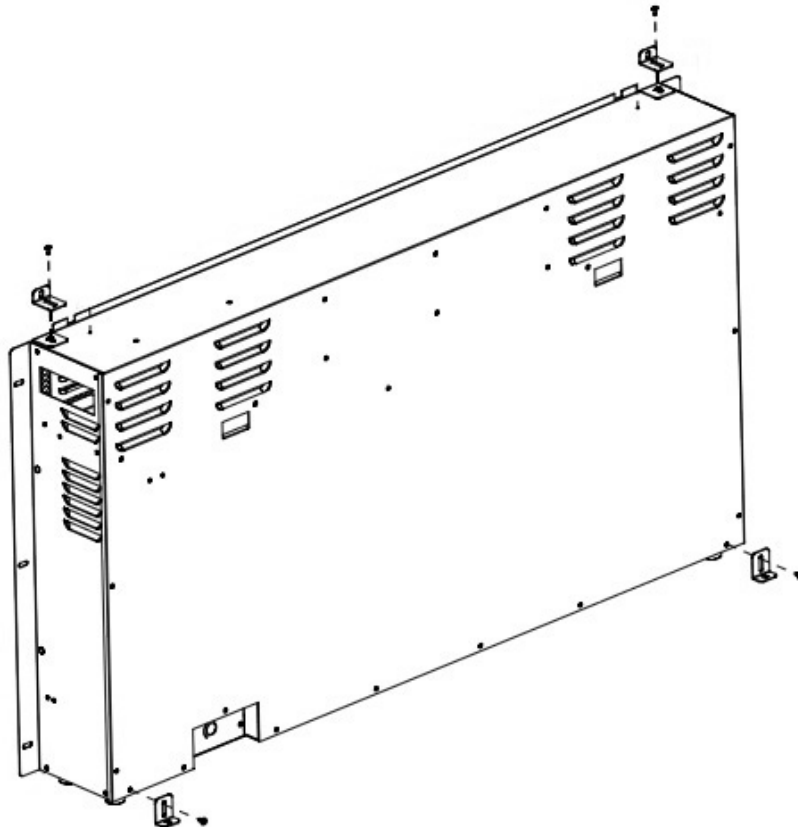
**note:**

Les onglets de l'appareil sont pliés. Vous devez plier l'onglet plat quand vous encastré entièrement l'appareil dans le mur (**FIG. 4**).

**Fig. 3****Fig. 4**

### 3.6 installation de l'appareil dans une tablette

- A. Enlevez la garniture de grillage d'avant (voir la section « installation de la garniture de grillage d'avant »).
- B. Installez les pieds en caoutchouc sur le bas de l'appareil pour la stabilité (voir la section « installation des pieds en caoutchouc »).
- C. Insérez l'appareil dans la tablette et le fixer avec les supports vers le haut de la tablette et en bas.
- D. Insérez l'appareil dans la tablette et le fixer avec les supports (ou voir le manuel d'installation de la tablette de la cheminée électrique pour les instructions d'installation appropriées pour l'appareil).
- E. Placez les braises de verre concassé le long du plateau de médias (voir la section « l'installation des braises de verre concassé »).
- F. Réinstallez la garniture de grillage d'avant.



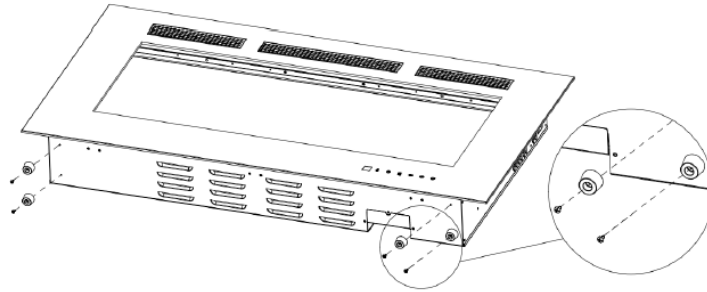


## 3.6.1 installation des pieds en caoutchouc

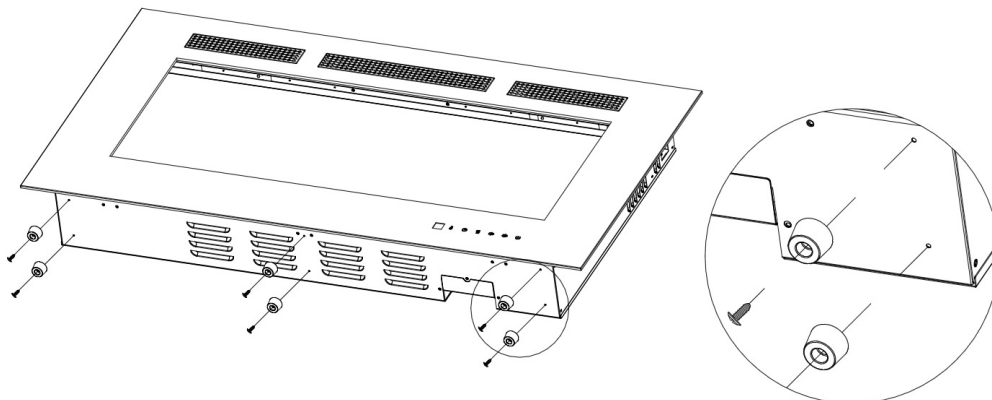
- A. Placez l'appareil à l'envers (face vers le bas) sur une surface molle.
- B. À l'aide d'un tournevis, enlevez les vis sur le fond de l'appareil.
- C. Installez les 4 pieds en caoutchouc (6 pieds en caoutchouc pour NEFL60FH-MT) sur le fond de l'appareil à l'aide des vis de l'étape B, voir ci-dessous.

**note:**

Les vis pour le montage des pieds en caoutchouc sont fixées sur l'appareil. L'enlèvement des vis est nécessaire pour installer les pieds en caoutchouc.



**NEFL42/50FH-MT ILLUSTRÉE**



**NEFL60FH-MT ILLUSTRÉE**

## ! AVERISSEMENT

- Coupez l'alimentation électrique à l'appareil et laissez-le refroidir avant d'effectuer un entretien. Seul un technicien de service qualifié peut effectuer l'entretien ou la réparation de cet appareil électrique.

### CONNEXION DE CÂBLAGE DUR

Si c'est nécessaire de faire un branchement par câble, un électricien qualifié peut retirer le cordon d'alimentation de l'appareil et brancher ce dernier directement au câblage de la maison.

Si vous effectuez un branchement par câble, cet appareil doit être raccordé électriquement et mis à la terre conformément aux codes locaux. En l'absence de tels codes, utilisez la version courante du Code canadien de l'électricité CSA C22.1 au Canada ou du National Electrical Code ANSI/NFPA 70 aux États-Unis.



Fig. 1

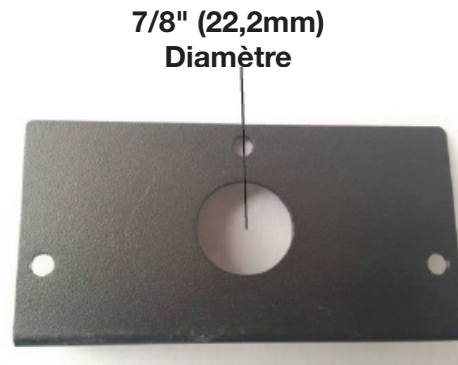


Fig. 2

- Retirez la plaque de recouvrement située sur le côté droit de l'appareil par retirer les 3 vis (**Fig. 1**).
- Enlevez les connecteurs de fils du cordon d'alimentation. Vous pouvez jeter le cordon d'alimentation.
- Enlevez le trou de 7/8" (22.2mm) dans la nouvelle plaque de recouvrement (fournie) et installez le connecteur de boîte à la boîte de jonction. Serrez le connecteur de boîte aux fils d'alimentation.
- Utilisant les connecteurs de fils pour brancher le file de terre vert (G), les fils commun ensemble blanc (N) puis les fils noir chaudes (L) (**Fig. 3 et 4**).
- Réinstallez la plaque de recouvrement utiliser les 3 vis (**Fig. 1**).

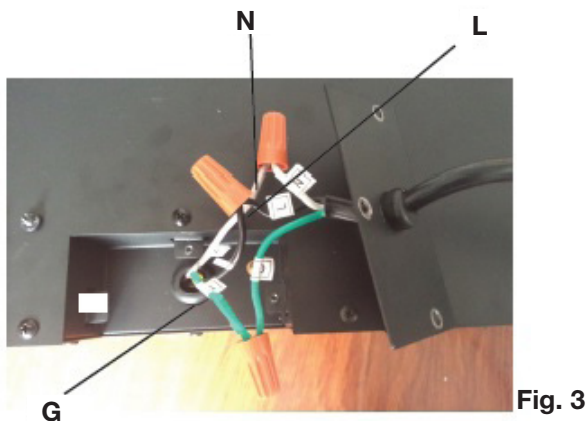


Fig. 3



Fig. 4

## ! AVERISSEMENT

- Le raccordement par câble doit être complété avant la finition afin d'éviter toute reconstruction.
- Les entrées d'air et les sorties d'air de l'appareil ne doivent jamais être couvertes.

### 4.1 installation de la garniture de grillage d'avant

## ! AVERISSEMENT

- Les loquets de porte font partie d'un dispositif de sécurité et doivent être adéquatement verrouillés. Ne faites pas fonctionner l'appareil lorsque les loquets sont déverrouillés.

- Retirez les 2 vis du haut de l'appareil.
- Demandez à 2 personnes de soulever la garniture haut et loin de l'appareil, tenant la garniture vertical - pas à plat - pendant tout le transport. Placez la face de la garniture vers le bas sur une surface douce, non abrasive, attention à ne pas fléchir le verre.
- Pliez les languettes supérieures à plat (**Fig. 1**).
- Installez les braises de verre concassé (voir la section « installation des braises de verre concassé »).
- Installez la garniture de grillage avant en alignant avec les broches sur l'appareil. Appuyez sur la garniture vers l'intérieur et en bas pour engager en toute sécurité avec les supports. Il doit être pleinement engagée pour assurer que le panneau d'affichage tactile exécute correctement.
- Maintiennent la garniture avant à l'aide des vis fournies en haut de l'appareil (**Fig. 2**). Si l'appareil est entièrement encastré, ceci n'est pas nécessaire.

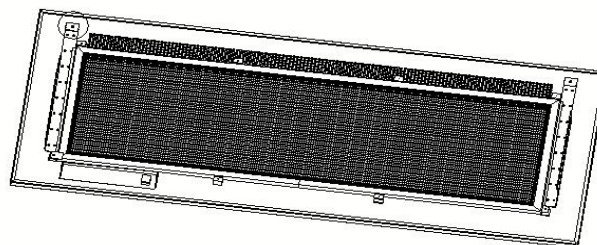
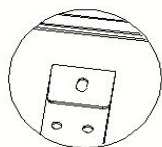


Fig. 1

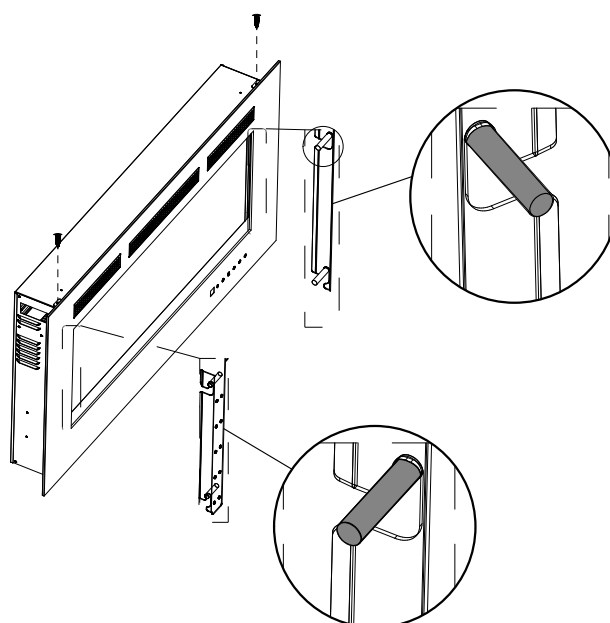
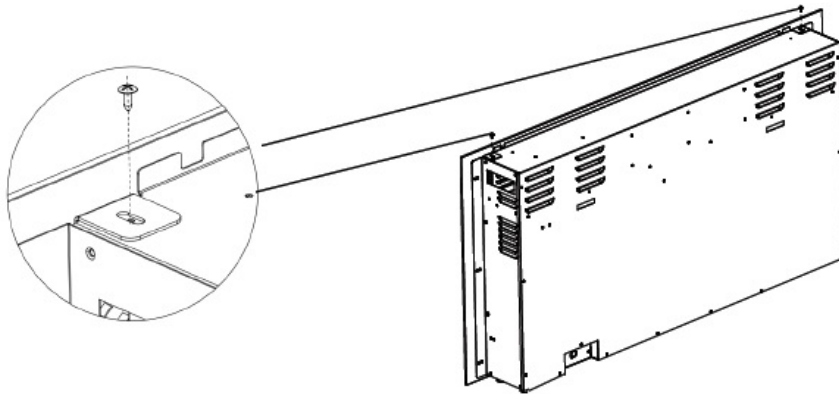


Fig. 2

## FR 4.2 l'enlèvement de la garniture de grillage d'avant

### **POUR MONTAGE MURALE, RECESS PARTIELLE ET TABLETTE INSTALLÉ APPAREIL UNIQUEMENT**

- A.** Retirez les 2 vis du haut de l'appareil, comme illustré ci-dessous.
- B.** Demandez à 2 personnes de soulever la garniture haut et loin de l'appareil, tenant la garniture vertical - pas à plat - pendant tout le transport. Placez la face de la garniture vers le bas sur une surface douce, non abrasive, attention à ne pas fléchir la garniture.
- C.** Installez les braises de verre concassé (voir la section « installation des braises de verre concassé »). Installez la garniture de grillage avant en alignant avec les broches sur l'appareil. Cela garantit que le panneau d'affichage tactile effectue correctement.



## 4.3 l'installation des braises de verre concassé

La garniture de grillage avant doit être enlevée et l'appareil doit être sécurisé dans son emplacement final avant d'installer les braises de verre concassé.

- A.** Soigneusement placez les braises de verre concassé dans le fond du plateau à la face de l'appareil comme illustré. Placez une autre couche de braise de verre concassé également de côté à côté.
- B.** Assurez-vous qu'aucun braises de verre concassé ne dégagent devant la garniture de grillage avant lors de l'installation. Évitez les braises de verre concassé de gratter/déchirer la grillage.



## 5.0 instructions de fonctionnement

FR

### AVERISSEMENT

- Afin d'éviter les risques de suffocation, gardez le sac d'emballage loin des bébés et des jeunes enfants. Ne le laissez pas traîner dans les berceaux, les lits, ou les poussettes. Ce sac n'est pas un jouet. Le nouer avant de le jeter.

L'appareil est prêt à fonctionner dès qu'il est correctement branché dans une prise de courant mise à la terre.

#### note:

Assurez-vous que les disjoncteurs de la maison pour l'alimentation sont allumés. En case de panne de courant, l'appareil perdra sa fonction de mémoire et se réinitialisera en mode usine lorsque le courant reviendra.

### 5.1 le bouton d'alimentation principal

Le bouton d'alimentation principal est situé sur la côté avant droit de l'appareil.

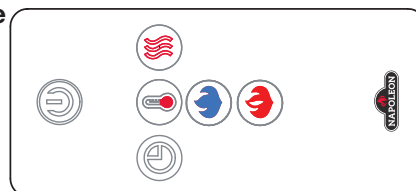








### 5.2 utilisation du panneau de contrôle

### AVERISSEMENT

- Pendant que l'appareil est branché et fonctionné, ne pas bouger ou enlever la garniture de grillage. Cela entraînera une défaillance de la télécommande et du panneau tactile.

**Le panneau d'affichage tactile est indiqué par les DEL en bas à droite en face de l'appareil. Les DEL vont disparaître après 10 secondes s'il n'y a aucun changement de fonction. Le bouton d'alimentation principale sera affaibli.**



<b>ALIMENTATION</b>		Met l'appareil ON/OFF.																																				
<b>FLAMME - ORANGE</b>		Contrôle la luminosité de la flamme orange. <b>6 Réglages:</b> ( F5-F4-F3-F2-F1-F0 ) Flamme assombrtit de F5 à F1. F5 est le réglage le plus brillant et F0 est éteint.																																				
<b>FLAMME - BLEU</b>		Contrôle la luminosité de la flamme bleue. <b>6 Réglages:</b> ( F5-F4-F3-F2-F1-F0 ) Flamme assombrtit de F5 à F1. F5 est le réglage le plus brillant et F0 est éteint.																																				
<b>CHAUFFERETTE</b>		Contrôle le chauffage. (H0) - Chauffage et soufflerie éteint. (BL) - Soufflerie seulement. (H1) - Chauffage souffle de l'air chaude (750W). (H2) - Chauffage souffle de l'air très chaude (1500W).  <b>NOTE:</b> Les fonctions de chauffage cycle à partir de H0-BL-H1-H2. Appuyez le bouton de chauffage pendant 5s, le réglage pour le chauffage et celui de la température seront désactivés pour la télécommande et pour l'écran tactile. Appuyez sur le bouton pendant 5s encore, le chauffage se mettra en marche et toutes les fonctions seront déverrouillées.																																				
<b>MINUTERIE</b>		Contrôle de la minuterie. <b>9 Réglages:</b> 0.5h, 1h, 2h, 3h, 4h, 5h, 6h, 7h, 8h. Appuyez sur le bouton jusqu'à atteindre réglage désiré.																																				
<b>TEMPERATURE</b>		1. Appuyez une fois : écran tactile indicateur devient actif. 2. Appuyez à nouveau jusqu'à ce que le réglage souhaité soit atteint. <table border="1"> <thead> <tr> <th>Valeur D'affichage</th> <th>0</th> <th>1</th> <th>2</th> <th>3</th> <th>4</th> <th>5</th> <th>6</th> <th>7</th> <th>8</th> <th>9</th> <th>N</th> </tr> </thead> <tbody> <tr> <td>Température °C</td> <td>18</td> <td>19</td> <td>20</td> <td>21</td> <td>22</td> <td>23</td> <td>24</td> <td>25</td> <td>26</td> <td>27</td> <td>ON</td> </tr> <tr> <td>Température °F</td> <td>64</td> <td>66</td> <td>68</td> <td>70</td> <td>72</td> <td>74</td> <td>76</td> <td>78</td> <td>80</td> <td>82</td> <td>ON</td> </tr> </tbody> </table> <b>NOTE:</b> Appuyez et maintenez enfoncé le bouton pendant 5 secondes. Cela va changer le bouton en Contrôle de Température, ou vice versa.	Valeur D'affichage	0	1	2	3	4	5	6	7	8	9	N	Température °C	18	19	20	21	22	23	24	25	26	27	ON	Température °F	64	66	68	70	72	74	76	78	80	82	ON
Valeur D'affichage	0	1	2	3	4	5	6	7	8	9	N																											
Température °C	18	19	20	21	22	23	24	25	26	27	ON																											
Température °F	64	66	68	70	72	74	76	78	80	82	ON																											

## 6.0 entretien

FR

### **! AVERISSEMENT**

- En préparation pour l'entretien, débranchez toujours l'alimentation électrique et laissez l'appareil refroidir avant de le nettoyer, de procéder à son entretien ou de le relocaliser. Tournez les contrôles à « off » et retirez la fiche de la prise de courant ou fermez le disjoncteur du circuit de votre appareil.
- Ne pas installer d'ampoules de rechange qui excèdent la puissance (watts) maximale spécifiée.
- Les lumières DEL de votre appareil deviennent chaudes lors de leur utilisation. Lorsque vous devez les remplacer, attendez au moins 10 minutes après avoir éteint votre appareil pour les enlever.
- Ne laissez pas les lumières entrer en contact direct avec vos doigts; le gras sur vos doigts endommagera les lumières lorsqu'elles chaufferont. Utilisez des gants ou un linge propre et sec lorsque vous manipulez les lumières.

### 6.1 installation de la pile de la télécommande

**note:**

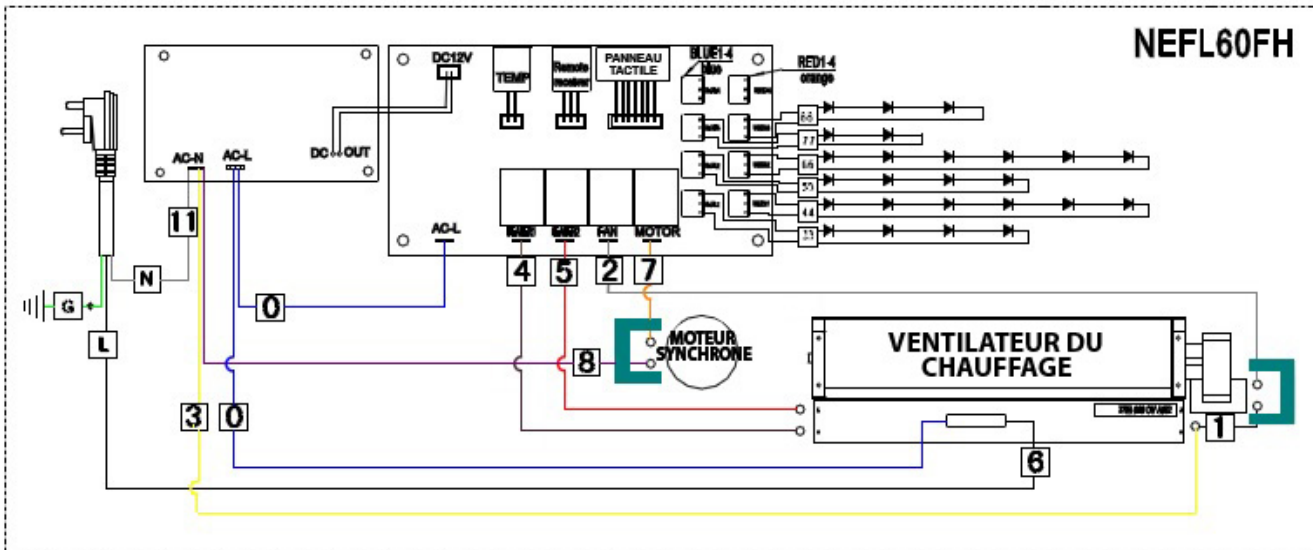
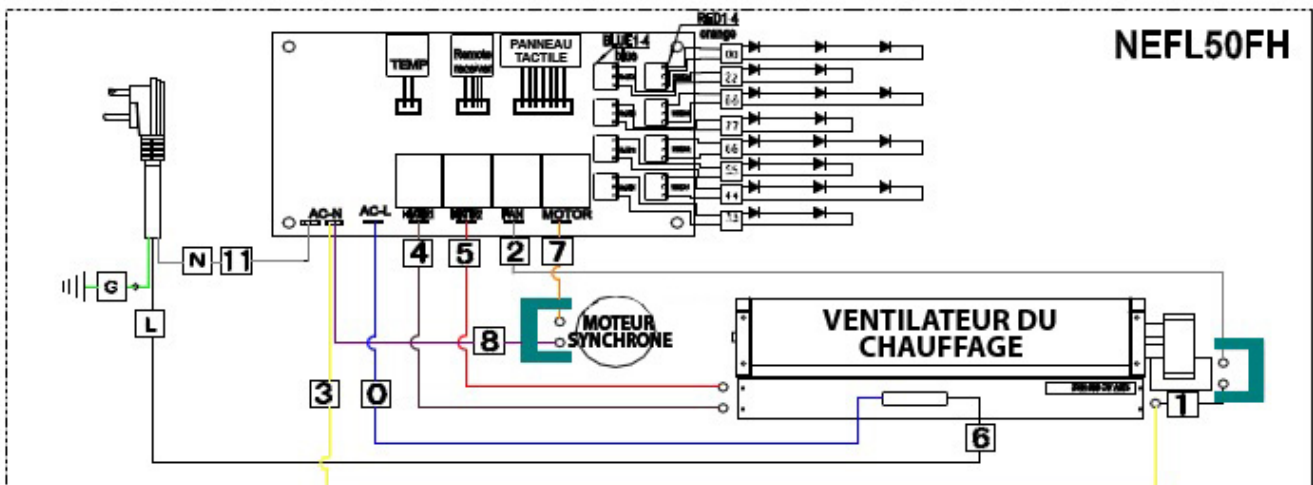
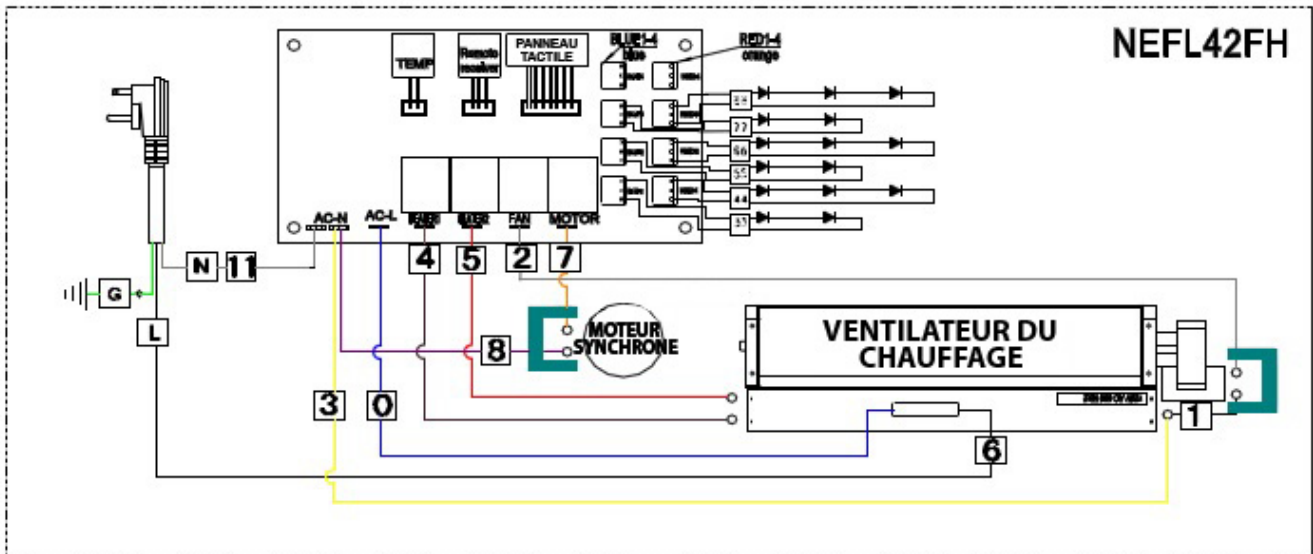
La télécommande a un onglet de plastique détachable pour prolonger la vie de la pile en expédition, retirez l'onglet de la télécommande pour qu'elle fonctionne.

1. Pour remplacer la pile existante, retirez le support de la pile.
2. Tournez la télécommande avec le côté arrière vers le haut. Glissez le couvercle des piles de la télécommande.
3. Insérez une pile de type CR 2025 dans le support puis réinsérez ce dernier dans la télécommande.
4. Le couvercle de la pile est bien fixé lorsque vous entendez un « clic ».



## ! AVERISSEMENT

- Coupez l'alimentation électrique à l'appareil et laissez-le refroidir avant d'effectuer un entretien. Seul un technicien de service qualifié peut effectuer l'entretien ou la réparation de cet appareil électrique.





## 8.0 pièces de rechanges

FR

### **AVERTISSEMENT**

- Omettre de positionner les pièces conformément à ce manuel ou d'utiliser uniquement des pièces spécifiquement approuvées pour cet appareil peut causer des dommages matériels ou des blessures corporelles.

Contactez votre détaillant pour les questions concernant les prix et la disponibilité des pièces de remplacement. Normalement, toutes les pièces peuvent être commandées chez votre détaillant autorisé.

**Pour un remplacement de pièce sous garantie, une photocopie de la facture originale sera requise afin de pouvoir honorer la demande.**

Lorsque vous commandez des pièces, donnez toujours l'information suivante:

- Modèle et numéro de série de l'appareil
- Date d'installation de l'appareil
- Numéro de la pièce
- Description de la pièce
- Fini

**Pièces, numéro des pièces et s'il soit disponible peut changer sans préavis.**

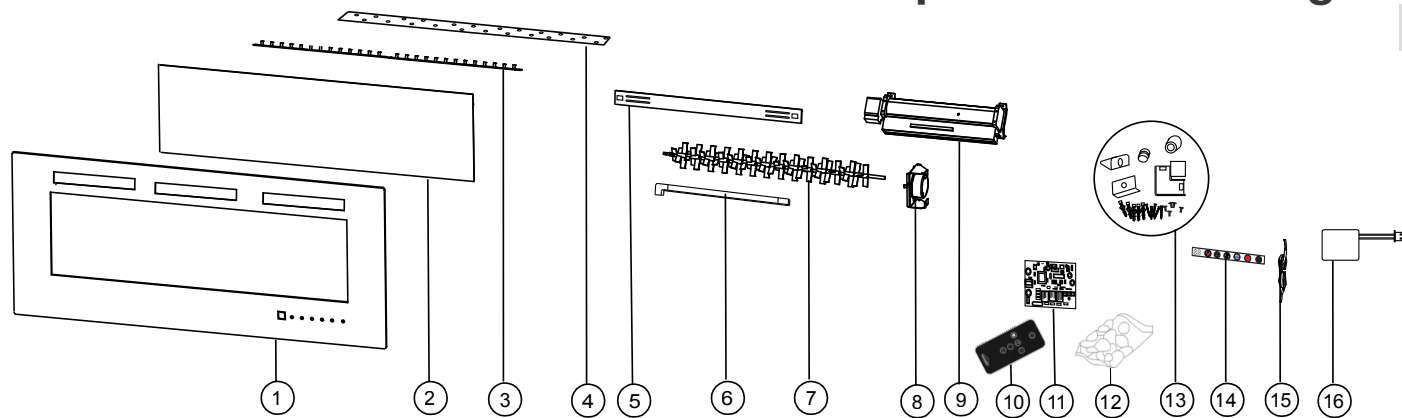
**Parties identifiées comme garnie seront livrés dans 2 à 5 jours pour la plupart des destinations de livraison.**

**Pièces non identifiées que stockés seront livrés dans un délai de 2 à 4 semaines pour la plupart des cas.**

**Pièces identifiées comme « SO » sont commande spéciale et peuvent prendre jusqu'à 90 jours pour la livraison.**

Pour le service après-vente, téléphonez 1-866-820-8686 s'il vous plaît.





**Ces articles peuvent différer de celles illustrées.**

Réf.	NEFL42FH-MT	NEFL50FH-MT	NEFL60FH-MT	Description	En Stock
1	W715-1113	W715-1114	W715-1115	Garniture de Grillage	Oui
2	W475-1185	W475-1193	W475-1194	Panneau en Plastique Acrylique	Oui
3	W405-0033	W405-0033	W405-0033 + W405-0037	Lumière DEL	Oui
4	W497-0013	W497-0015	W497-0016	Bande de Plastique	Oui
5	W080-1616-SER	W080-1616-SER	W080-1616-SER	Support de Mur	Oui
6	W200-0572-SER	W200-0572-SER	W200-0572-SER	Cache de Cordon	Oui
7	W527-0008	W527-0010	W527-0011	Réflecteur	Oui
8	W435-0077	W435-0077	W435-0077	Moteur Synchrone	Oui
9	W010-3728	W010-3728	W010-3728	Assemblage de Soufflerie et de Chaufferette	Oui
10	W190-0095	W190-0095	W190-0095	Télécommande	Oui
11	W190-0096	W190-0096	W190-0101	Bord de Circuit	Oui
12	W497-0020	W497-0021	W497-0022	Cristaux	Oui
13	W370-0050	W370-0050	W370-0055	Pièces du Matériaux	Oui
14	W475-1346	W475-1346	W475-1346	Panneau de Contrôle (avec Télécommande)	
15	W750-0371	W750-0372	W750-0373	Harnais de Fils	Oui
16	W690-0021	W690-0021	W690-0021	Thermostat	Oui

**note:**

Utilisez de prudence lorsque vous enlevez et jetez des débris de verre ou des composants endommagés. Assurez-vous d'aspirer tous les débris de verre à l'intérieur de l'appareil avant de le faire fonctionner.

## 9.0 guide de dépannage

FR

### **AVERTISSEMENT**

- Coupez l'alimentation électrique à l'appareil et laissez-le refroidir avant d'effectuer un entretien. Seul un technicien de service qualifié peut effectuer l'entretien ou la réparation de cet appareil.

SYMPTÔME	PROBLÈME	SOLUTIONS
La luminosité du jeu de flammes est faible ou inexistante	Flamme DEL sont épuisés ou sont défectueux	Vérifiez les DEL à l'intérieur et remplacez-les au besoin
L'appareil n'émet aucune chaleur	La température ambiante est plus élevée que le réglage de l'appareil (si réglée au température du chambre)	Réglez l'appareil à une température plus élevée
L'appareil s'éteint et ne se rallume pas	L'appareil a surchauffé et le dispositif de sécurité a entraîné le déclenchement de l'interrupteur thermique	Débranchez le cordon d'alimentation et laissez l'appareil refroidir pendant 15 minutes, puis branchez le cordon d'alimentation et mettez l'appareil sous tension.
	Le disjoncteur de la maison s'est déclenché	Réinitialisez le disjoncteur
L'appareil ne s'allume pas lorsque l'interrupteur est mis à « ON »	L'appareil n'est pas branché dans une prise de courant	Vérifiez la fiche puis rebranchez-la
	L'appareil a surchauffé et le dispositif de sécurité a entraîné le déclenchement de l'interrupteur thermique	Débranchez le cordon d'alimentation et laissez l'appareil refroidir pendant 15 minutes, puis branchez le cordon d'alimentation et mettez l'appareil sous tension.
	La carte de circuit est brûlé	Inspecter la carte de circuit et remplacez-les au besoin
La télécommande ne fonctionne pas	Les piles sont faibles	Remplacez les piles de la télécommande
La chaufferette s'éteint automatiquement	La température ambiante est trop élevée	L'appareil est équipé d'un thermostat intégré et s'éteindra automatiquement lorsque la température programmée sera atteinte. Il s'allumera automatiquement lorsque la température de la pièce descendra en dessous de la température programmée. La température programmée dépend des réglages sélectionnés pour la chaufferette

Les appareils électriques **Napoléon** sont fabriqués conformément aux normes strictes du Système de Gestion de la Qualité mondialement reconnu ISO 9001 : 2015.

Les produits **Napoléon** sont conçus avec des composants et des matériaux de qualité supérieure, assemblés par des artisans qualifiés qui sont fiers de leur travail. Une fois assemblé, chaque appareil est soigneusement inspecté par un technicien qualifié avant d'être emballé pour garantir que vous, le client, recevez le produit de qualité dont vous vous attendez de **Napoléon**.

### Garantie Limitée Des Appareils Électriques Napoléon

Les composants électriques et les pièces soumises à l'usure sont couverts et **Napoléon** fournira gratuitement les pièces de rechange durant la première année de la garantie limitée. Ceci couvre: le ventilateur/l'appareil de chauffage, les moteurs, les interrupteurs, les roulements à billes en nylon, les télécommandes et les lumières de DEL.

Les ampoules et fusibles **ne sont pas** couvert par la garantie.

Les coûts de main-d'oeuvre relatifs aux réparations garanties ne sont pas couverts.

\*La fabrication de chaque modèle varie. La garantie s'applique uniquement aux composants disponibles avec votre appareil.

### Conditions et Limitations

**Napoléon** garantit ses produits contre les défauts de fabrication à l'acheteur d'origine seulement. L'enregistrement de la garantie n'est pas nécessaire. Fournissez simplement une preuve d'achat ainsi que le modèle et le numéro de série afin d'effectuer une réclamation de garantie. **Napoléon** se réserve le droit de demander à son représentant d'inspecter tous produits ou pièces avant d'honorer toute réclamation. L'achat doit avoir été fait par l'entremise d'un détaillant **Napoléon** autorisé et sous réserve des conditions et limitations suivantes:

La couverture de la garantie débute à partir de la date d'installation originale.

Cette garantie du fabricant n'est pas transférable et ne peut être prolongée par aucun de nos représentants.

L'installation doit être faite conformément aux instructions d'installation incluses avec le produit et à tous les codes d'incendie et de construction locaux et nationaux.

Cette garantie limitée ne couvre pas les dommages causés par un mauvais usage, un manque d'entretien, un accident, des altérations, des abus ou de la négligence, et l'installation de pièces d'autres fabricants annulera cette garantie.

Cette garantie limitée ne couvre pas non plus les égratignures, les bossellements, la corrosion ou la décoloration causée par une chaleur excessive, des produits d'entretien chimiques et abrasifs ou l'écaillage de pièces en porcelaine émaillée, le bris par manipulation des bûches Phazer™.

Au cours de la première année seulement, cette garantie s'étend à la réparation ou au remplacement des pièces garanties dont les matériaux ou la fabrication sont défectueux à la condition que le produit ait été utilisé conformément aux instructions de fonctionnement et dans des conditions normales.

**Napoléon** ne sera pas responsable de l'installation, de la main d'œuvre ou autres coûts ou dépenses relatives à la réinstallation d'une pièce garantie, et de telles dépenses ne sont pas couvertes par cette garantie. Nonobstant toutes les dispositions contenues dans cette garantie limitée, la responsabilité de **Napoléon** sous cette garantie est définie comme ci-dessus et elle ne s'étendra à aucun dommage accidentel, consécutif ou indirect.

Cette garantie définit l'obligation et la responsabilité de **Napoléon** en ce qui concerne l'appareil électrique **Napoléon**.

Toute autre garantie énoncée ou implicite en ce qui concerne ce produit, ses composants ou accessoires est exclue.

**Napoléon** n'endosse, ni n'autorise aucun tiers à assumer en son nom, toutes autres responsabilités concernant la vente de ce produit.

Tous dommages causés à l'appareil, aux garnitures en laiton ou autres composants par l'eau, les dommages causés par les intempéries, de longues périodes d'humidité, la condensation, des produits chimiques ou produits d'entretien nuisibles ne seront pas la responsabilité de **Napoléon**.

La facture ou sa copie sera requise ainsi que le numéro de série et le numéro de modèle lors d'une réclamation auprès de votre détaillant autorisé. La carte d'enregistrement de garantie doit être retournée dans les quatorze jours pour enregistrer la garantie.

**Napoléon** se réserve le droit de demander à son représentant d'inspecter tout produit ou pièce avant d'honorer toute réclamation.

Toutes les pièces remplacées en vertu de la politique de la garantie limitée ne peuvent faire l'objet que d'une seule réclamation.

Toutes les pièces remplacées au titre de la garantie seront couvertes pour une période de 90 jours à partir de leur date d'installation.

Le fabricant peut exiger que les pièces défectueuses ou les produits soient retournés ou que des photos numériques soient fournies pour valider la réclamation. Les produits retournés doivent être expédiés port payé au fabricant pour une inspection en usine. Si un produit est déclaré défectueux, le fabricant le réparera ou le remplacera.

Avant d'expédier votre appareil ou les pièces défectueuses, votre détaillant doit obtenir un numéro d'autorisation. Toute marchandise expédiée à notre usine sans autorisation sera refusée et retournée à l'expéditeur.

Les coûts d'expédition ne sont pas couverts par cette garantie.

Des frais de service supplémentaires peuvent être appliqués si vous cherchez à obtenir des services au titre de la garantie auprès d'un détaillant.

Toutes les spécifications et les conceptions sont sujettes à modifications sans préavis en raison des améliorations constantes apportées aux produits. **Napoléon** est une marque de commerce déposée de Wolf Steel Ltée.

# NAPOLÉON CÉLÈBRE PLUS DE 40 ANS D'EXISTENCE CONSACRÉS À LA CONCEPTION DE PRODUITS DE CONFORT



7200, Route Transcanadienne, Montréal, Québec H4T 1A3  
24 Napoleon Road, Barrie, Ontario, Canada L4M 0G8  
214 Bayview Drive, Barrie, Ontario, Canada L4N 4Y8  
103 Miller Drive, Crittenden, Kentucky, USA 41030

Téléphone: 1-866-820-8686  
[napoleonproducts.com](http://napoleonproducts.com)